



US00D848435S

(12) **United States Design Patent** (10) **Patent No.:** **US D848,435 S**  
**Moore et al.** (45) **Date of Patent:** **\*\* May 14, 2019**

(54) **COVER FOR AN ELECTRONIC DEVICE**

(71) Applicant: **Max Interactive, Inc.**, Costa Mesa, CA (US)

(72) Inventors: **Cameron Moore**, Costa Mesa, CA (US); **Daniel Ballou**, Long Beach, CA (US); **Joven De La Vega**, Downey, CA (US); **Samuel V. Gutierrez**, La Mirada, CA (US)

(73) Assignee: **Max Interactive, Inc.**, Costa Mesa, CA (US)

(\*\*) Term: **15 Years**

(21) Appl. No.: **29/612,184**

(22) Filed: **Jul. 28, 2017**

(51) **LOC (11) Cl.** ..... **14-02**

(52) **U.S. Cl.**  
USPC ..... **D14/440**

(58) **Field of Classification Search**  
USPC ..... D14/440; 206/45.23, 320, 45.2; 361/679.55; 294/25; 224/218  
CPC ..... G06F 1/626; H04B 1/3555; H05K 5/0217  
See application file for complete search history.

(56) **References Cited**

U.S. PATENT DOCUMENTS

D635,555 S *	4/2011	Giles	.....	D14/217
D640,679 S *	6/2011	Willes	.....	D14/250
D641,756 S *	7/2011	Hsieh	.....	D14/440
D651,606 S *	1/2012	Luijben	.....	D14/250
D661,646 S *	6/2012	Son	.....	D13/108
D668,660 S *	10/2012	Norfolk	.....	D14/440
8,281,924 B2 *	10/2012	Westrup	.....	A45C 3/02 206/320
D670,702 S *	11/2012	Zhang	.....	D14/440
D674,803 S *	1/2013	Westrup	.....	A45C 3/02 D14/440
D678,293 S *	3/2013	Meehan	.....	D14/440

D687,440 S *	8/2013	Shieh	.....	D14/447
D695,298 S *	12/2013	Han	.....	D14/440
D704,194 S *	5/2014	Young	.....	D14/440
D717,804 S *	11/2014	Budge	.....	D14/447
D718,316 S *	11/2014	Veltz	.....	D14/440
D719,144 S *	12/2014	Eulette	.....	D14/250
D725,119 S *	3/2015	Gaylord	.....	D14/440
D726,732 S *	4/2015	Lay	.....	D14/440
9,229,494 B2 *	1/2016	Rayner	.....	G06F 1/163
D748,634 S *	2/2016	Hofer	.....	D14/440
9,314,078 B1 *	4/2016	Haymond	.....	A45C 11/00
D757,731 S *	5/2016	Nguyen	.....	D14/440

(Continued)

*Primary Examiner* — Cynthia R Underwood

(74) *Attorney, Agent, or Firm* — Charles F. Reidelbach, Jr.

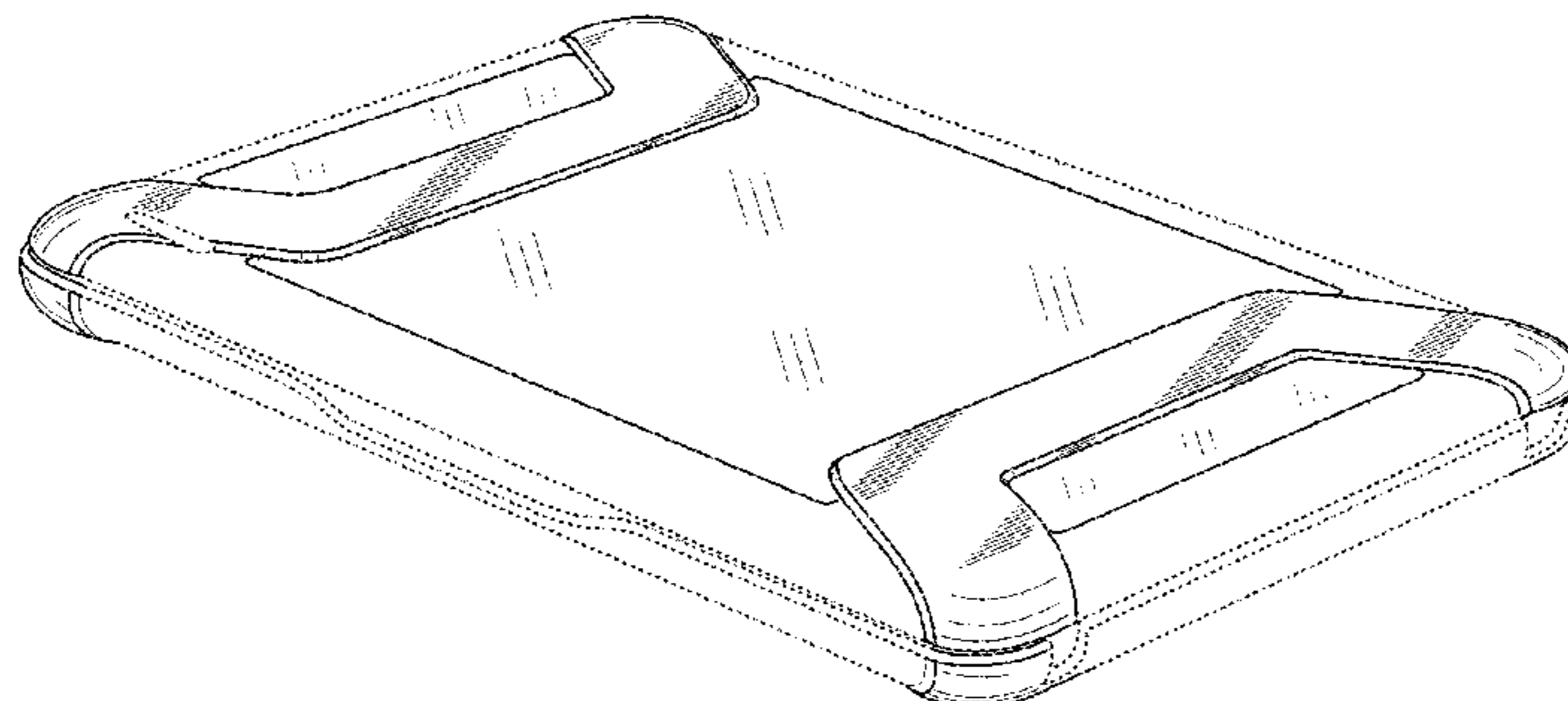
(57) **CLAIM**

We claim the ornamental design for a cover for an electronic device, as shown and described.

**DESCRIPTION**

FIG. 1 is an upper right front perspective view of a cover for an electronic device;  
FIG. 2 is a lower left rear perspective view of a cover for an electronic device;  
FIG. 3 is a front elevational view of a cover for an electronic device;  
FIG. 4 is a right side elevational view of a cover for an electronic device;  
FIG. 5 is a rear elevational view of a cover for an electronic device;  
FIG. 6 is a left side elevational view of a cover for an electronic device;  
FIG. 7 is a top plan view of a cover for an electronic device; and,  
FIG. 8 is a bottom plan view of a cover for an electronic device.  
Dashed lines represent unclaimed environment and form no part of the claimed design.

**1 Claim, 5 Drawing Sheets**



(56)

**References Cited**

U.S. PATENT DOCUMENTS

D766,247 S \* 9/2016 Burmester ..... D14/440  
D795,263 S \* 8/2017 Fujioka ..... D14/440  
D795,880 S \* 8/2017 Akana ..... D14/440  
D798,302 S \* 9/2017 Burmester ..... D14/440  
9,847,806 B1 \* 12/2017 Dickie ..... H04B 1/3888  
D835,088 S \* 12/2018 Zhuang ..... D14/250  
2003/0222149 A1 \* 12/2003 Solomon ..... G06F 1/1669  
235/472.01  
2012/0043247 A1 \* 2/2012 Westrup ..... A45C 3/02  
206/472  
2012/0193496 A1 \* 8/2012 Li ..... F16M 11/041  
248/316.1  
2015/0156900 A1 \* 6/2015 Yeh ..... H04B 1/3888  
312/223.1  
2016/0135560 A1 \* 5/2016 Yeh ..... H04M 1/185  
224/581

\* cited by examiner

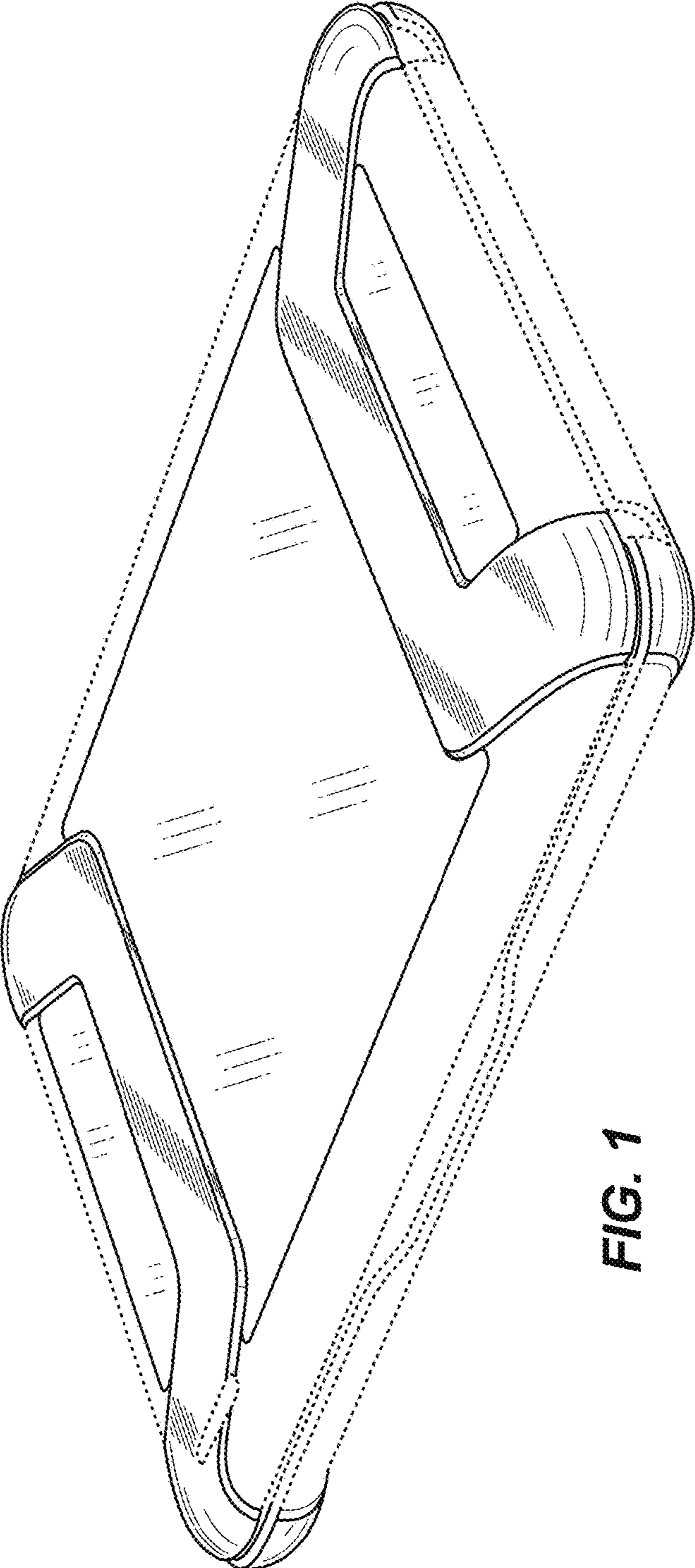


FIG. 1

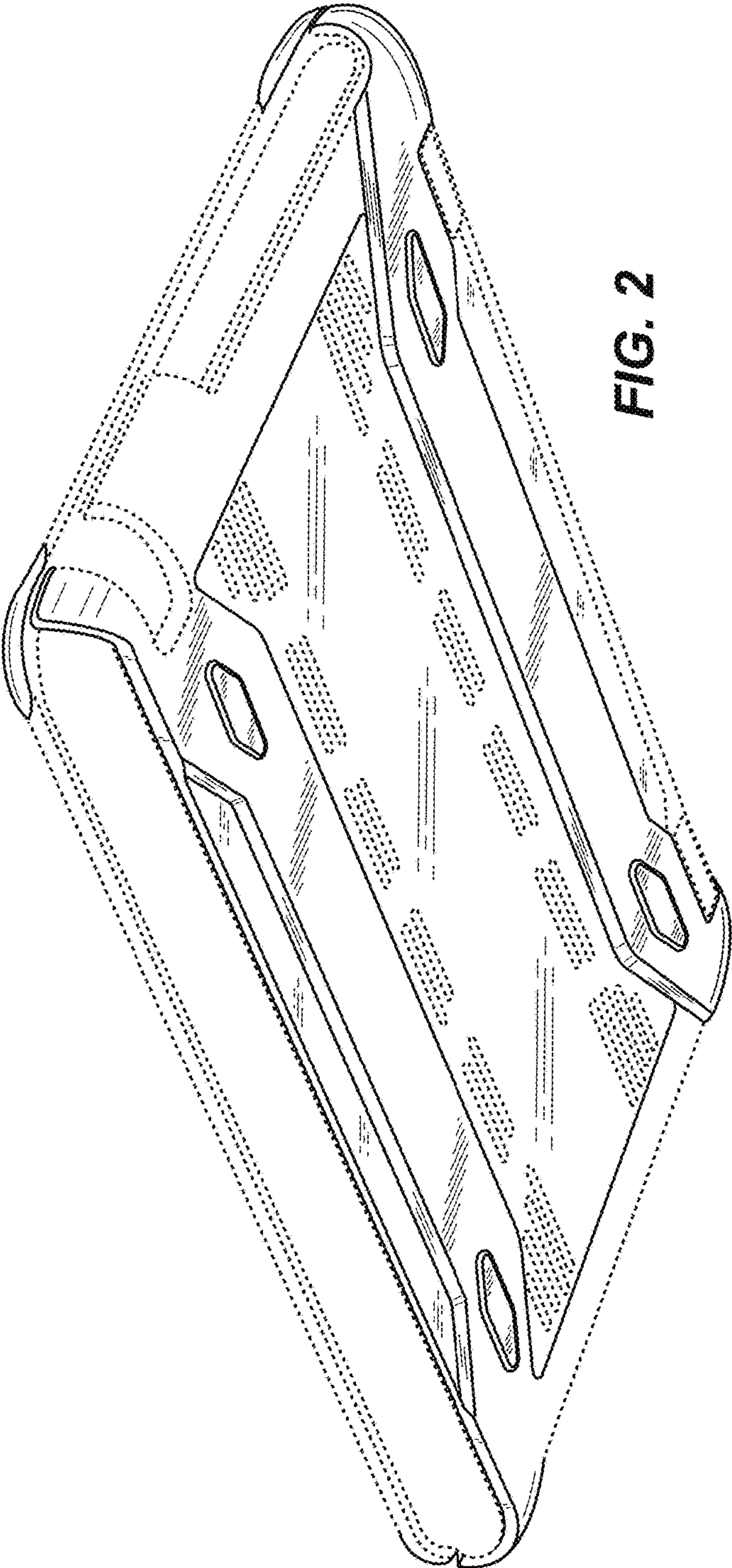
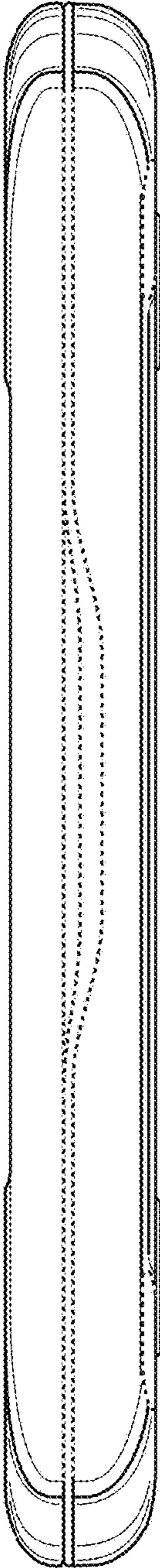
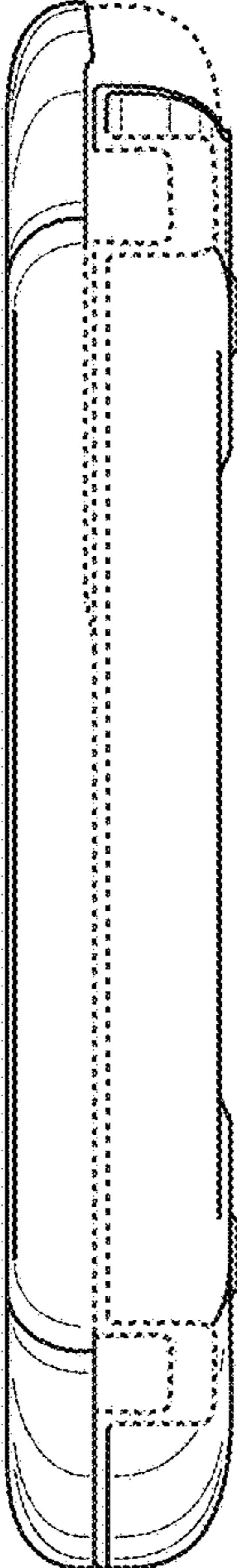


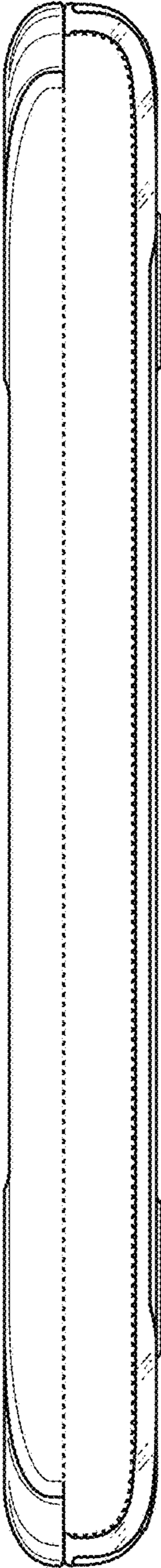
FIG. 2



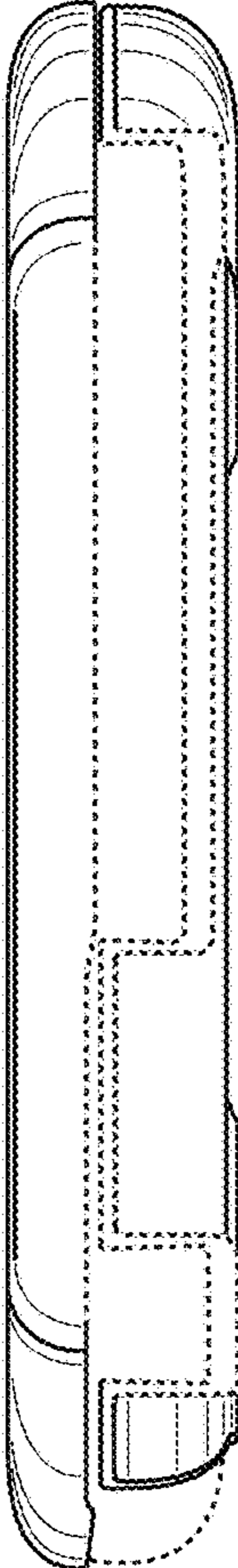
**FIG. 3**



**FIG. 4**



**FIG. 5**



**FIG. 6**

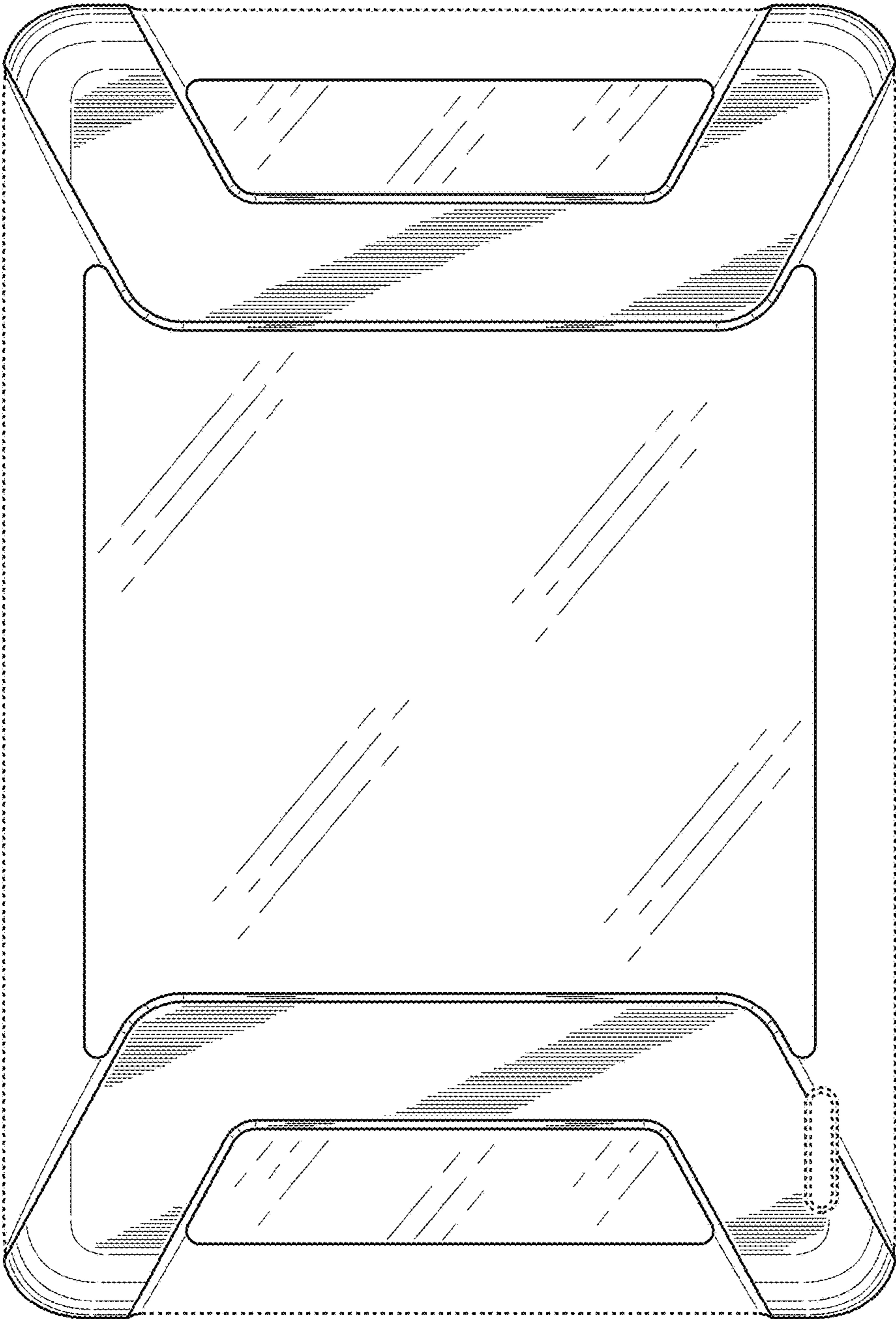


FIG. 7

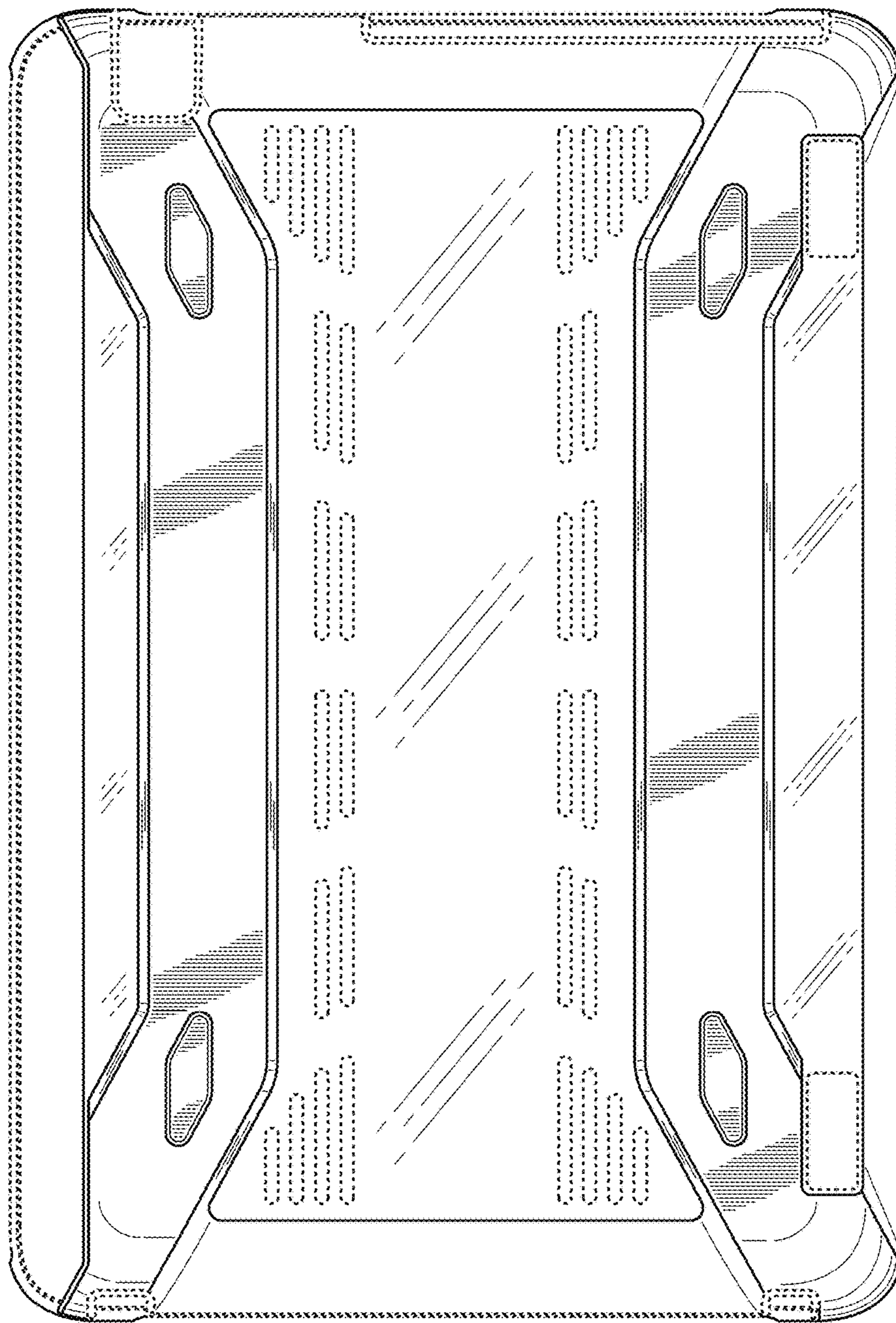


FIG. 8