



US00D848434S

(12) **United States Design Patent**
Toyota

(10) **Patent No.:** **US D848,434 S**

(45) **Date of Patent:** **** May 14, 2019**

(54) **MANAGEMENT CARD FOR DIGITAL SLIDES**

(71) Applicant: **HAMAMATSU PHOTONICS K.K.**,
Hamamatsu-shi, Shizuoka (JP)

(72) Inventor: **Yuichi Toyoda**, Hamamatsu (JP)

(73) Assignee: **HAMAMATSU PHOTONICS K.K.**,
Hamamatsu-shi, Shizuoka (JP)

(**) Term: **15 Years**

(21) Appl. No.: **29/621,871**

(22) Filed: **Oct. 12, 2017**

(30) **Foreign Application Priority Data**

Apr. 13, 2017 (JP) 2017-007957

(51) **LOC (11) Cl.** **14-02**

(52) **U.S. Cl.**
USPC **D14/436; D14/435**

(58) **Field of Classification Search**

USPC 2/DIG. 6; 5/417, 419-420, 465,
5/632-634; 108/43; 248/118, 118.1,
248/118.3, 118.5, 205.2, 346, 346.01,
248/346.07, 346.1, 438, 633, 918;
273/338, 438, DIG. 30; 297/218.1,
297/228.12, 352, 377, 440.1, 440.11,
297/440.15, 452.1, 452.16;
312/208.1-208.4, 223.2, 322; 340/710;
345/163, 173; 360/69, 97.02;
361/679.33-679.45, 737, 752, 736, 728,
361/796, 797, 729, 730, 725-727;
400/412, 713-715; 428/137-138, 140,
428/304.4, 457; 442/9; D3/273;
D6/201, 204, 429-431, 449, 474,
D6/509-510; D9/432; D10/65, 75, 78;
D13/103, 119, 162, 184, 199; D14/110,
D14/114, 125, 240, 242, 299-302, 314,
D14/348-370, 435-438, 496, 478-480;
D18/1, 7, 9, 11; 235/441, 443, 487, 492,

235/493, 495, 380, 382, 382.5, 375, 494;
257/678, 679, 693, E23.064; 439/946,
439/948, 159; 174/250, 260, 52.1, 52.2;
710/300-303; 438/121

CPC G06K 19/06196; G06K 19/072; G06K
19/0721; G06K 19/0722; G06K 19/0723;
G06K 19/0724; G06K 19/0725; G06K
(Continued)

(56) **References Cited**

U.S. PATENT DOCUMENTS

5,726,435 A * 3/1998 Hara G06K 7/14
235/462.09
7,571,864 B2 * 8/2009 Kiliccote G06K 7/1443
235/462.01

(Continued)

Primary Examiner — Susan Moon Lee

(74) *Attorney, Agent, or Firm* — Drinker Biddle & Reath
LLP

(57) **CLAIM**

The ornamental design for a management card for digital slides, as shown and described.

DESCRIPTION

FIG. 1 is a front view of a management card for digital slides of the present invention.

FIG. 2 is a rear view thereof.

FIG. 3 is a top plan view thereof.

FIG. 4 is a bottom view thereof.

FIG. 5 is a right side view thereof.

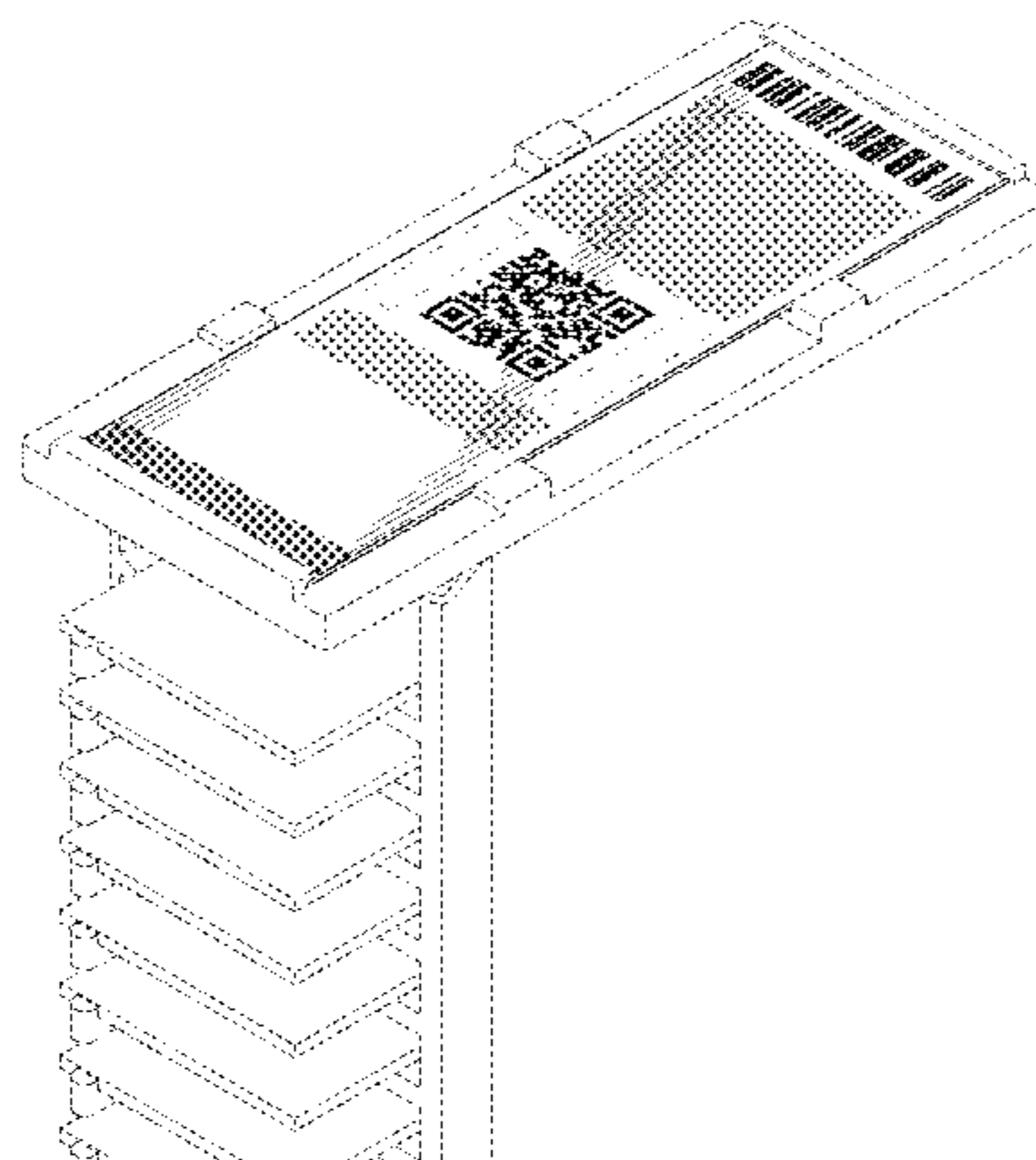
FIG. 6 is a left side view thereof; and,

FIG. 7 is a reference view showing the management card for digital slides in use.

The broken lines in the last figure depict environment, for purposes of illustration, and form no part of the design claim.

The shades of grey represent a contrast in tone.

1 Claim, 7 Drawing Sheets



(58) **Field of Classification Search**

CPC 19/0726; G06K 19/0727; G06K 19/0728;
 G06K 19/073; G06K 19/07309; G06K
 19/077; G06K 19/07701; G06K
 19/07715; G06K 19/0772; G06K
 19/07724; G06K 19/07726; G06K
 19/07728; G06K 19/06037-19/06206;
 G06K 19/067; G06K 2019/06262; G06K
 7/1417-7/1495; G06F 21/86; G06F 21/87;
 G06F 21/77-21/80; G06F 21/85-21/88;
 G06F 21/00; G06Q 20/3229; G06Q
 20/34; G06Q 20/341; G06Q 20/346;
 G06Q 20/349; G06Q 20/3563; G06Q
 20/3567; G06Q 20/357; G06Q 20/3576;
 G06Q 20/3276; H05K 5/026; H05K
 5/0256; H05K 5/0265; H05K 5/0273;
 H05K 5/0278; H05K 5/0282; H05K
 5/0286; H05K 5/0291; H05K 5/0295;
 H05K 5/03; H05K 5/04; H05K 5/06;
 H05K 5/061; H05K 5/062; H05K 5/063;
 H05K 5/064; H05K 5/065; H05K 5/066;
 H05K 5/067; H05K 5/068; H05K 5/069;
 H05K 7/00; H05K 7/005; H05K 7/02;
 H05K 7/023; H05K 7/026; H05K 7/04;
 H05K 7/10; H05K 7/1418; H05K 7/142;
 H05K 7/1424; H05K 7/1427-7/1439;
 H05K 7/1461; H05K 7/1464-7/1474;
 H05K 7/1479; H05K 7/1481; H05K
 7/1485-7/1488; H05K 2201/09745; H05K
 2201/09754; H05K 2201/09763; H05K
 2201/09772; H05K 2201/098; H05K
 2201/09818; H05K 2201/10; H05K
 2201/10007; H04N 2201/216; G07C
 9/00722; G07C 9/00571; G07C 9/00904;
 G07C 9/00103

See application file for complete search history.

(56) **References Cited**

U.S. PATENT DOCUMENTS

8,573,499	B1 *	11/2013	Boyle	G06F 17/30879	235/375
8,985,443	B1 *	3/2015	Boyle	G07C 9/00722	235/375
9,300,658	B1 *	3/2016	Sadacharam	G06F 21/36	
9,576,172	B2 *	2/2017	Huang	G06K 7/1404	
2005/0142940	A1 *	6/2005	Manine	H01R 12/62	439/606
2008/0002853	A1 *	1/2008	Kawabe	G06K 19/06028	382/100
2008/0121688	A1 *	5/2008	Harrop	G06K 19/06028	235/375
2008/0301464	A1 *	12/2008	Parkinson	H04L 9/3247	713/186
2009/0043783	A1 *	2/2009	Wakasa	G06F 17/30017	
2009/0057420	A1 *	3/2009	Onoda	G06K 19/06037	235/494
2009/0108057	A1 *	4/2009	Mu	H04M 1/72561	235/375
2009/0255992	A1 *	10/2009	Shen	G06K 19/06037	235/462.1
2011/0043858	A1 *	2/2011	Jetter	G06F 17/30017	358/1.15
2012/0104105	A1 *	5/2012	Nemet	G06Q 30/06	235/494
2012/0197660	A1 *	8/2012	Prodanovich	G06Q 30/04	705/2
2012/0209688	A1 *	8/2012	Lamothe	G06Q 30/02	705/14.27
2012/0267440	A1 *	10/2012	Nakaya	G01N 1/312	235/494
2012/0323699	A1 *	12/2012	Phillips	G06Q 30/02	705/14.69
2013/0026241	A1 *	1/2013	Sakahashi	G06K 19/06037	235/494
2013/0043302	A1 *	2/2013	Powlen	G06F 17/30725	235/375
2013/0087609	A1 *	4/2013	Nichol	G06F 17/30002	235/375
2013/0126598	A1 *	5/2013	Beadles	G06K 19/005	235/375
2013/0146658	A1 *	6/2013	Guerra	G06Q 20/3276	235/380
2013/0166441	A1 *	6/2013	Kobylkin	G06Q 20/354	705/39
2013/0221114	A1 *	8/2013	Myers	G09F 19/22	235/494
2013/0320099	A1 *	12/2013	Acton	G06K 19/06056	235/494
2013/0341417	A1 *	12/2013	Argue	G06Q 20/0453	235/494
2014/0070012	A1 *	3/2014	Hunt	G06K 19/06037	235/494
2014/0100973	A1 *	4/2014	Brown	G06Q 20/34	705/17
2014/0108606	A1 *	4/2014	Beadles	G06F 17/30876	709/217
2014/0110468	A1 *	4/2014	Kandregula	G06Q 30/0241	235/375
2014/0110486	A1 *	4/2014	Nemet	G06K 19/06046	235/494
2014/0117100	A1 *	5/2014	Black	G07F 19/20	235/494
2014/0117101	A1 *	5/2014	Cok	H04N 1/32128	235/494
2014/0144996	A1 *	5/2014	Friedman	G06K 19/06103	235/494
2014/0149285	A1 *	5/2014	De	G06O 20/3276	705/41
2014/0224888	A1 *	8/2014	Bomer	G09B 5/06	235/494
2014/0224889	A1 *	8/2014	Key	G06F 17/30879	235/494
2014/0263667	A1 *	9/2014	Mege	G06K 19/06159	235/494
2014/0263674	A1 *	9/2014	Cerveny	G06K 19/06028	235/494
2014/0263675	A1 *	9/2014	Beadles	G06K 19/06046	235/494
2014/0281855	A1 *	9/2014	Bhatnagar	G06F 17/30879	715/205
2015/0008257	A1 *	1/2015	Beadles	G06F 17/30879	235/375
2015/0161496	A1 *	6/2015	Rodriguez	G06K 19/06037	235/494
2015/0199601	A1 *	7/2015	Bieneck	G06K 19/07707	235/494
2015/0213734	A1 *	7/2015	Glickman	G09F 3/005	235/494
2015/0229603	A1 *	8/2015	Chor	G06F 17/30879	235/494
2015/0269466	A1 *	9/2015	Inotay	G06K 19/06037	235/494
2015/0269469	A1 *	9/2015	Sharma	G06K 19/06037	235/494
2015/0363683	A1 *	12/2015	Polzoni	G06K 19/06037	235/494
2016/0086072	A1 *	3/2016	Castillo	G06K 7/1095	235/494
2016/0140428	A1 *	5/2016	Kamitani	G06F 15/02	235/494
2016/0155033	A1 *	6/2016	Nakano	G06K 7/1443	235/494
2016/0180131	A1 *	6/2016	Seo	G06F 19/3456	235/375

(56)

References Cited

U.S. PATENT DOCUMENTS

2017/0235977 A1* 8/2017 Nadabar G06K 7/1447
235/375
2018/0025263 A1* 1/2018 Toyoizumi G06K 19/06037
235/494
2018/0137323 A1* 5/2018 Jiang G06K 7/10
2018/0157813 A1* 6/2018 Rodrigs G06K 9/183

* cited by examiner

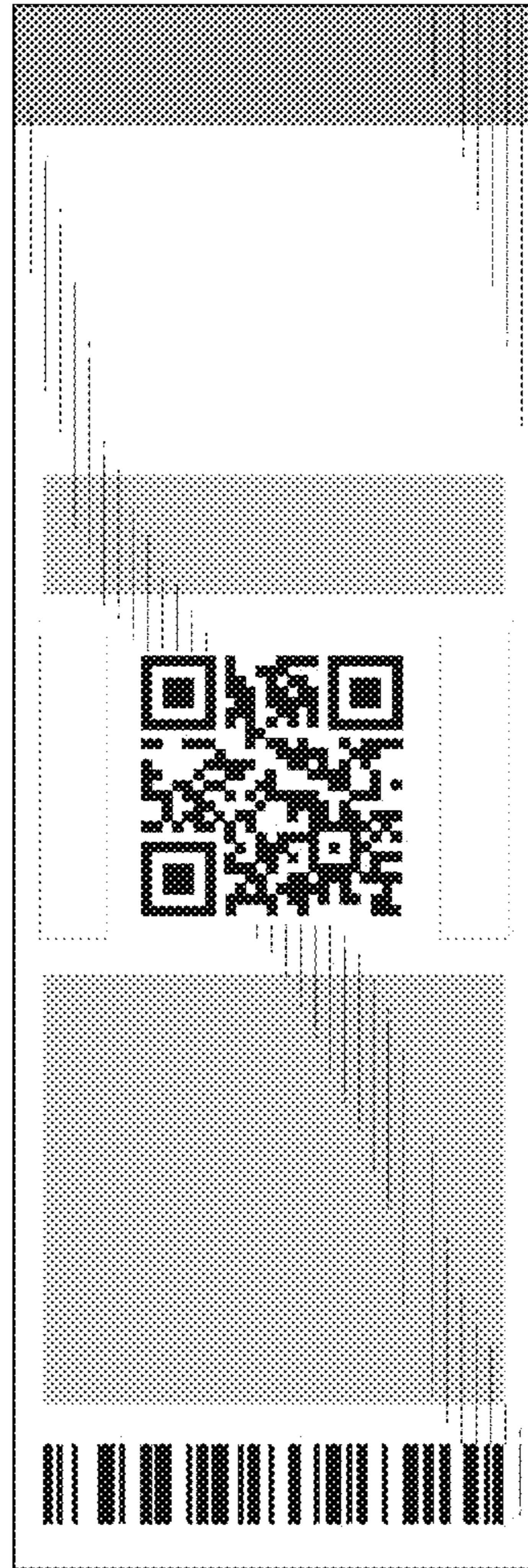


FIG. 1

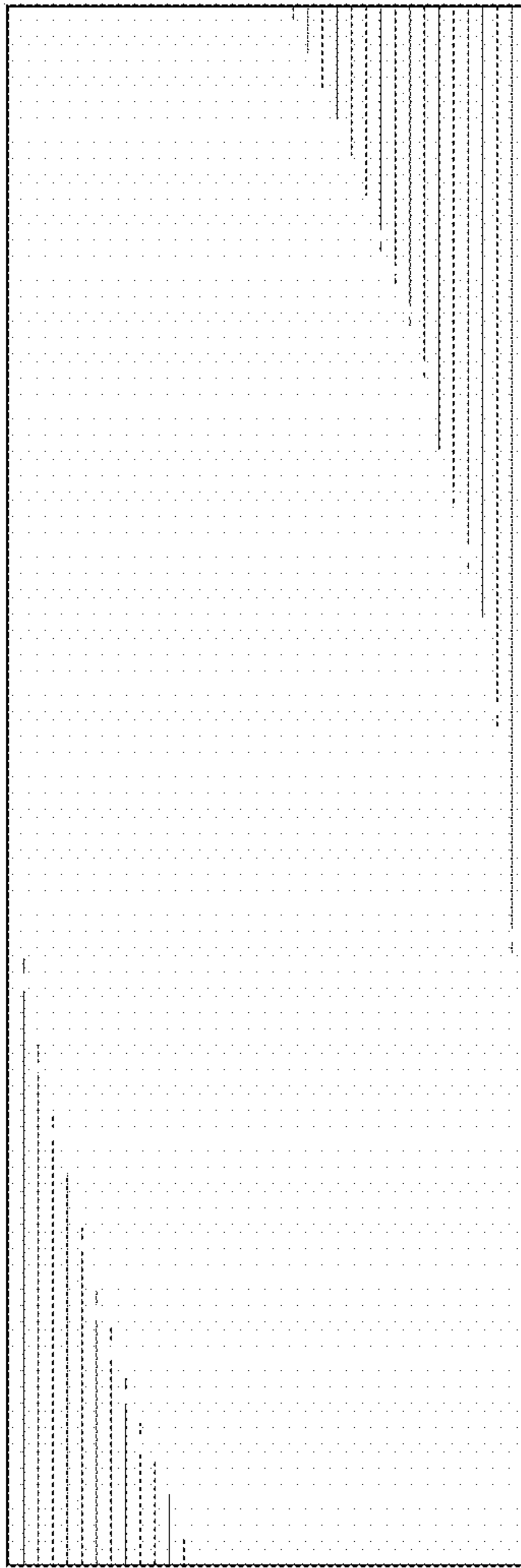


FIG. 2



FIG. 3

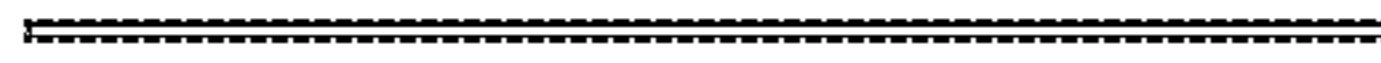


FIG. 4



FIG. 5



FIG. 6

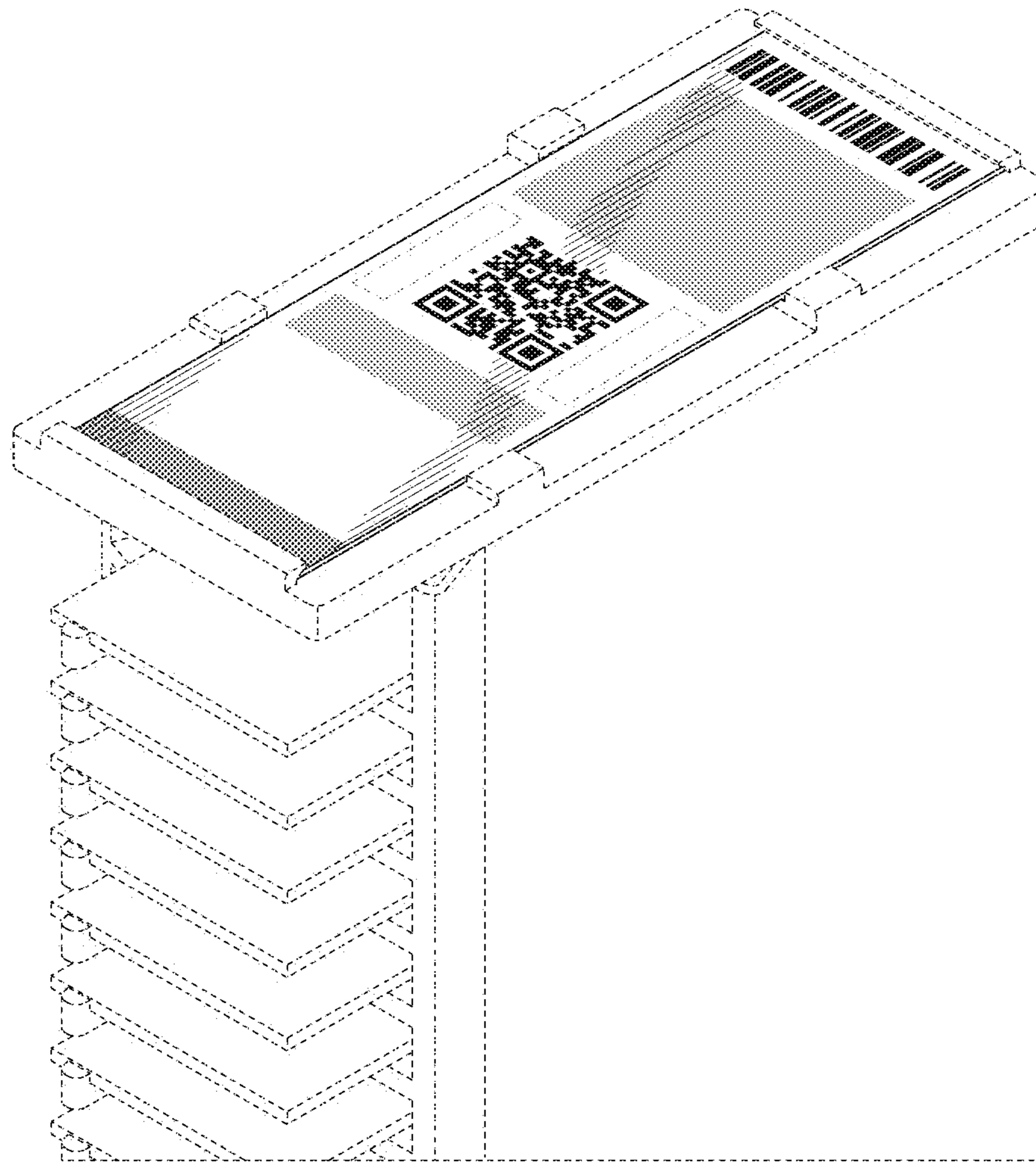


FIG. 7