



US00D848430S

(12) **United States Design Patent** (10) **Patent No.:** **US D848,430 S**
Bragg et al. (45) **Date of Patent:** **** May 14, 2019**

(54) **COMMUNICATION OUTLET** 3,975,076 A 8/1976 Shida et al.
4,682,835 A 7/1987 Aujla et al.
(71) Applicant: **Leviton Manufacturing Co., Inc.**, 4,749,366 A 6/1988 McCaffery
Melville, NY (US) 4,847,711 A 7/1989 Inoue
4,870,227 A 9/1989 Saen et al.
(72) Inventors: **Charles R. Bragg**, Bothell, WA (US); 4,897,040 A 1/1990 Gerke et al.
Ryan C. Moore, Mill Creek, WA (US);
Dean S. Lipke, Mill Creek, WA (US) (Continued)

FOREIGN PATENT DOCUMENTS

(73) Assignee: **LEVITON MANUFACTURING CO.,** CN 101142757 3/2008
INC., Melville, NY (US) EP 1 443 608 8/2004
(Continued)

(**) Term: **15 Years**

OTHER PUBLICATIONS

(21) Appl. No.: **29/636,658**

Cui, Wenbo, "High-Speed Data Communications Connector," U.S. Appl. No. 62/289,320, filed Jan. 31, 2016.

(22) Filed: **Feb. 9, 2018**

(Continued)

Related U.S. Application Data

(62) Division of application No. 29/553,902, filed on Feb. 5, 2016, now Pat. No. Des. 818,469, which is a division of application No. 29/494,362, filed on Jun. 19, 2014, now Pat. No. Des. 752,590.

Primary Examiner — Austin Murphy

(74) *Attorney, Agent, or Firm* — Davis Wright Tremaine LLP; George C. Rondeau, Jr.

(51) **LOC (11) Cl.** **14-02**

(57) **CLAIM**

(52) **U.S. Cl.**
USPC **D14/433**

The ornamental design for a communication outlet, as shown and described.

(58) **Field of Classification Search**
USPC D14/356, 432-434, 453, 454, 511, 203.8,
D14/209.1, 238.1, 240, 125; 439/638,
439/928, 105, 502; 710/303, 304;
361/679.41, 679.55, 679.56; D13/110,
D13/133, 146
CPC ... H04L 12/2832; H04L 12/2838; G06F 3/00;
G06F 5/00; G06F 13/14
See application file for complete search history.

DESCRIPTION

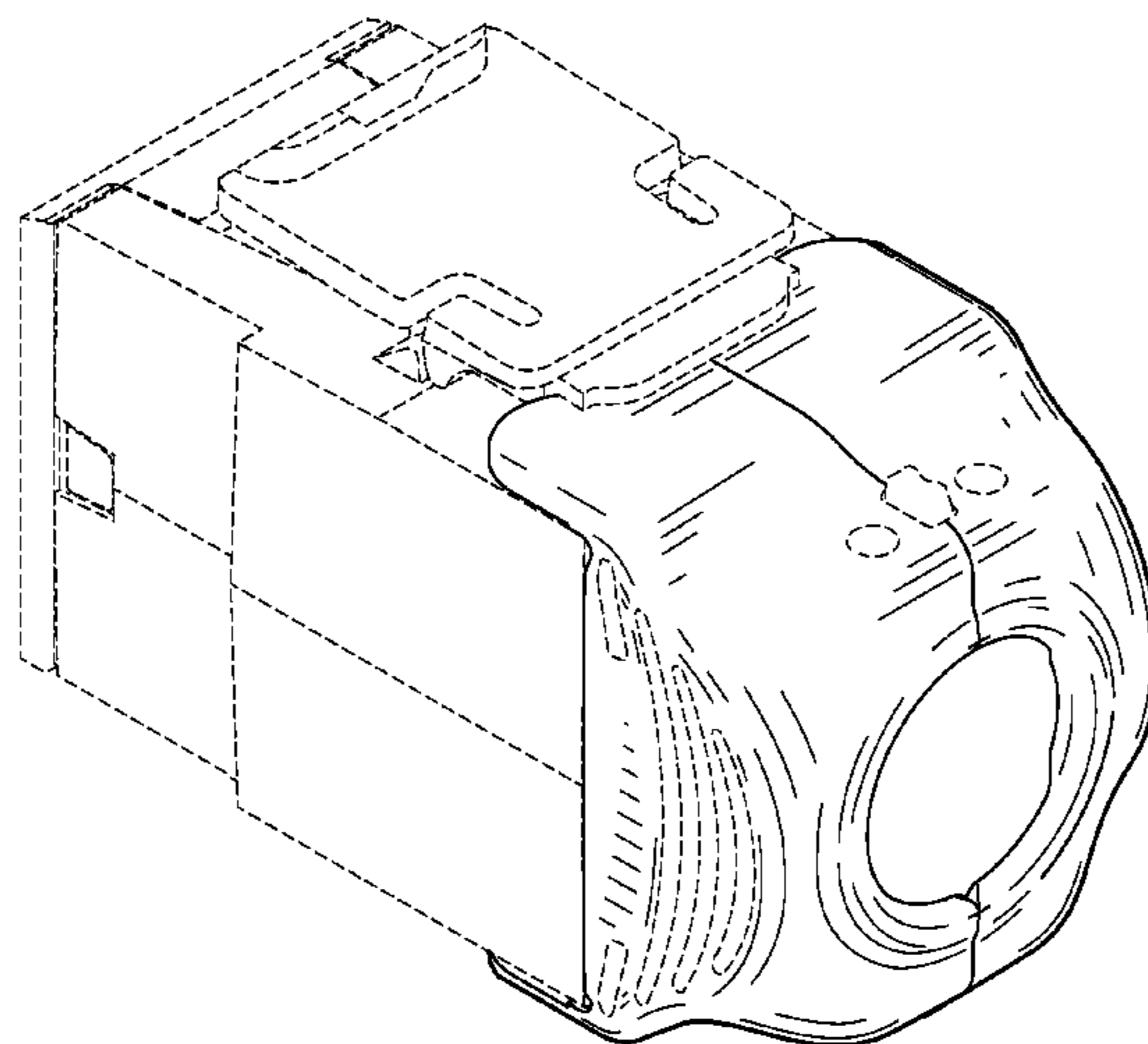
FIG. 1 is a top rear perspective view of a communication outlet showing our new design;
FIG. 2 is a top front perspective view thereof;
FIG. 3 is a rear view thereof;
FIG. 4 is a right side view thereof;
FIG. 5 is a top plan view thereof;
FIG. 6 is a left side view thereof;
FIG. 7 is a bottom plan view thereof; and,
FIG. 8 is a front view thereof.
The broken lines represent portions of the communication outlet that form no part of the claim.

(56) **References Cited**

U.S. PATENT DOCUMENTS

3,636,500 A 1/1972 Sedlacek
3,763,461 A 10/1973 Kotski
3,845,455 A 10/1974 Shoemaker

1 Claim, 8 Drawing Sheets



(56)

References Cited

U.S. PATENT DOCUMENTS

4,909,754 A 3/1990 Paradis
 4,973,258 A 11/1990 Fusselman
 4,973,261 A 11/1990 Hatagishi
 5,131,863 A 7/1992 Gerke et al.
 5,230,632 A 7/1993 Baumberger et al.
 5,281,176 A 1/1994 Yahagi et al.
 5,501,607 A 3/1996 Yoshioka et al.
 5,533,910 A 7/1996 Korner et al.
 5,547,405 A 8/1996 Pinney
 5,836,782 A 11/1998 Odley et al.
 5,848,911 A 12/1998 Garcin
 6,142,817 A 11/2000 Lee
 6,371,793 B1 4/2002 Doorhy et al.
 6,379,157 B1 4/2002 Curry et al.
 6,431,903 B1 8/2002 Dittmann et al.
 6,595,696 B1 7/2003 Zallak
 6,764,222 B1 7/2004 Szilagyi et al.
 6,786,776 B2 9/2004 Itano et al.
 6,796,806 B2 9/2004 Boutros et al.
 6,957,970 B2 10/2005 Weigel et al.
 7,077,670 B2 7/2006 Suwa et al.
 7,086,909 B2 8/2006 Colantuono et al.
 7,201,618 B2 4/2007 Ellis et al.
 7,220,149 B2 5/2007 Phamey
 7,249,974 B2 7/2007 Gordon et al.
 D565,443 S 4/2008 Frake
 7,413,464 B1 8/2008 Chen
 D587,201 S 2/2009 Allwood
 7,597,568 B1 10/2009 Lu
 7,604,515 B2 10/2009 Siemon et al.
 D603,341 S 11/2009 Kawakami
 7,686,642 B2 3/2010 Pearson et al.
 7,704,093 B2 4/2010 Turkekole et al.
 7,713,094 B1 5/2010 Sparrowhawk
 7,736,173 B2 6/2010 Chen
 7,736,195 B1 6/2010 Poulsen et al.
 RE41,699 E 9/2010 Itano et al.
 7,821,370 B1 10/2010 Shu et al.
 7,824,231 B2 11/2010 Marti et al.
 7,857,655 B2 12/2010 Gyagang et al.
 7,909,656 B1 3/2011 Erickson et al.
 7,967,645 B2 6/2011 Marti et al.
 7,976,334 B2 7/2011 Bishop
 8,038,482 B2 10/2011 Erickson et al.
 D649,971 S 12/2011 Lyford
 8,100,705 B2 1/2012 Chen et al.
 8,128,436 B2 3/2012 Bopp et al.
 8,137,141 B2 3/2012 Straka
 8,198,536 B2 6/2012 Clark
 D663,273 S 7/2012 Lyford
 D668,226 S 10/2012 Lyford
 8,475,201 B2 7/2013 Pirlo
 8,690,459 B2 4/2014 Lin et al.
 D714,293 S 9/2014 Kelly
 D721,036 S 1/2015 Kreitzer
 8,968,035 B2 3/2015 Hashim et al.
 D729,806 S 5/2015 Park
 D731,489 S * 6/2015 Langhammer D14/433
 D732,536 S 6/2015 Kang
 D733,142 S 6/2015 Solomon
 9,147,977 B2 9/2015 Poulsen et al.
 D743,398 S 11/2015 Smith
 D745,523 S * 12/2015 Magi D14/433
 D746,291 S 12/2015 Solomon
 9,251,930 B1 2/2016 McNutt
 9,257,805 B2 2/2016 Wang
 D752,590 S * 3/2016 Bragg D14/433
 9,496,644 B2 11/2016 Bragg
 9,627,827 B2 * 4/2017 Bragg H01R 24/64
 D818,469 S * 5/2018 Bragg D14/433
 2001/0049214 A1 12/2001 Billman
 2004/0142589 A1 * 7/2004 Caveney H01R 13/4536
 439/138
 2005/0245125 A1 * 11/2005 Colantuono H01R 24/64
 439/404

2005/0277340 A1 * 12/2005 Gordon H01R 9/032
 439/676
 2006/0030184 A1 2/2006 Sakaki
 2006/0094273 A1 * 5/2006 Mine G02B 6/3849
 439/137
 2007/0049079 A1 3/2007 Nalwad et al.
 2008/0105449 A1 5/2008 Kenny et al.
 2008/0311797 A1 12/2008 Aekins
 2009/0017656 A1 * 1/2009 Lee H01R 13/4538
 439/144
 2009/0104821 A1 4/2009 Marti et al.
 2010/0009567 A1 1/2010 Gyagang et al.
 2010/0029122 A1 * 2/2010 Mateo Ferrus H01R 4/2433
 439/344
 2010/0035471 A1 2/2010 Gaidosch
 2010/0041527 A1 2/2010 Miller
 2010/0206609 A1 8/2010 Glew
 2012/0015536 A1 * 1/2012 Huang H01R 13/4536
 439/138
 2012/0094525 A1 4/2012 Maranto et al.
 2012/0184118 A1 * 7/2012 Lee H01R 13/4536
 439/137
 2012/0202389 A1 * 8/2012 Erickson H01R 13/6464
 439/676
 2013/0164967 A1 6/2013 Lu
 2013/0248221 A1 9/2013 Booth et al.
 2013/0260581 A1 10/2013 Kuo et al.
 2014/0057485 A1 2/2014 Huang
 2014/0273626 A1 * 9/2014 Sparrowhawk H01R 13/6471
 439/607.01
 2015/0229078 A1 * 8/2015 Caveney H05K 1/0228
 439/676
 2015/0295350 A1 * 10/2015 Bragg H01R 13/627
 174/541
 2016/0036179 A1 * 2/2016 Bragg H01R 24/64
 439/391
 2016/0172794 A1 6/2016 Sparrowhawk et al.
 2016/0240986 A1 8/2016 Bragg
 2017/0110833 A1 4/2017 Riley et al.

FOREIGN PATENT DOCUMENTS

EP 1 753 093 2/2007
 FR 2 982 431 5/2013
 GB 2343558 5/2000
 JP 2006-318801 11/2006
 WO 2000051206 8/2000
 WO 2005025007 3/2005
 WO 2011087480 7/2011
 WO 2013063233 5/2013
 WO 2015056246 4/2015

OTHER PUBLICATIONS

Office Action dated Apr. 13, 2016, from U.S. Appl. No. 14/883,267, filed Oct. 14, 2015, now U.S. Pat. No. 9,515,437.
 Office Action dated Apr. 13, 2016, from U.S. Appl. No. 14/685,379, filed Apr. 13, 2015, now U.S. Pat. No. 9,496,644.
 Office Action dated Jul. 21, 2016, from U.S. Appl. No. 14/883,415, filed Oct. 14, 2015, now U.S. Pat. No. 9,608,379.
 Office Action dated Apr. 26, 2017, from U.S. Appl. No. 15/341,933, filed Nov. 2, 2016, now U.S. Pat. No. 9,831,606.
 Notice of Allowance dated Dec. 13, 2016, from U.S. Appl. No. 15/135,870, filed Apr. 22, 2016, now U.S. Pat. No. 9,627,827.
 Notice of Allowance dated Jun. 5, 2017, from U.S. Appl. No. 15/052,630, filed Feb. 24, 2016, now U.S. Pat. No. 9,859,663.
 PCT International Search Report and Written Opinion in International application No. PCT/US2015/025621, dated Aug. 10, 2015.
 PCT International Search Report and Written Opinion in International application No. PCT/US2016/056374, dated Jan. 24, 2017.
 PCT International Search Report and Written Opinion in International application No. PCT/US2016/056499, dated Jan. 29, 2017.
 PCT International Search Report and Written Opinion in International application No. PCT/US2017/015709, dated May 17, 2017.

(56)

References Cited

OTHER PUBLICATIONS

Extended European Search Report in European application No. 15
780 127.5, dated Aug. 28, 2017.

* cited by examiner

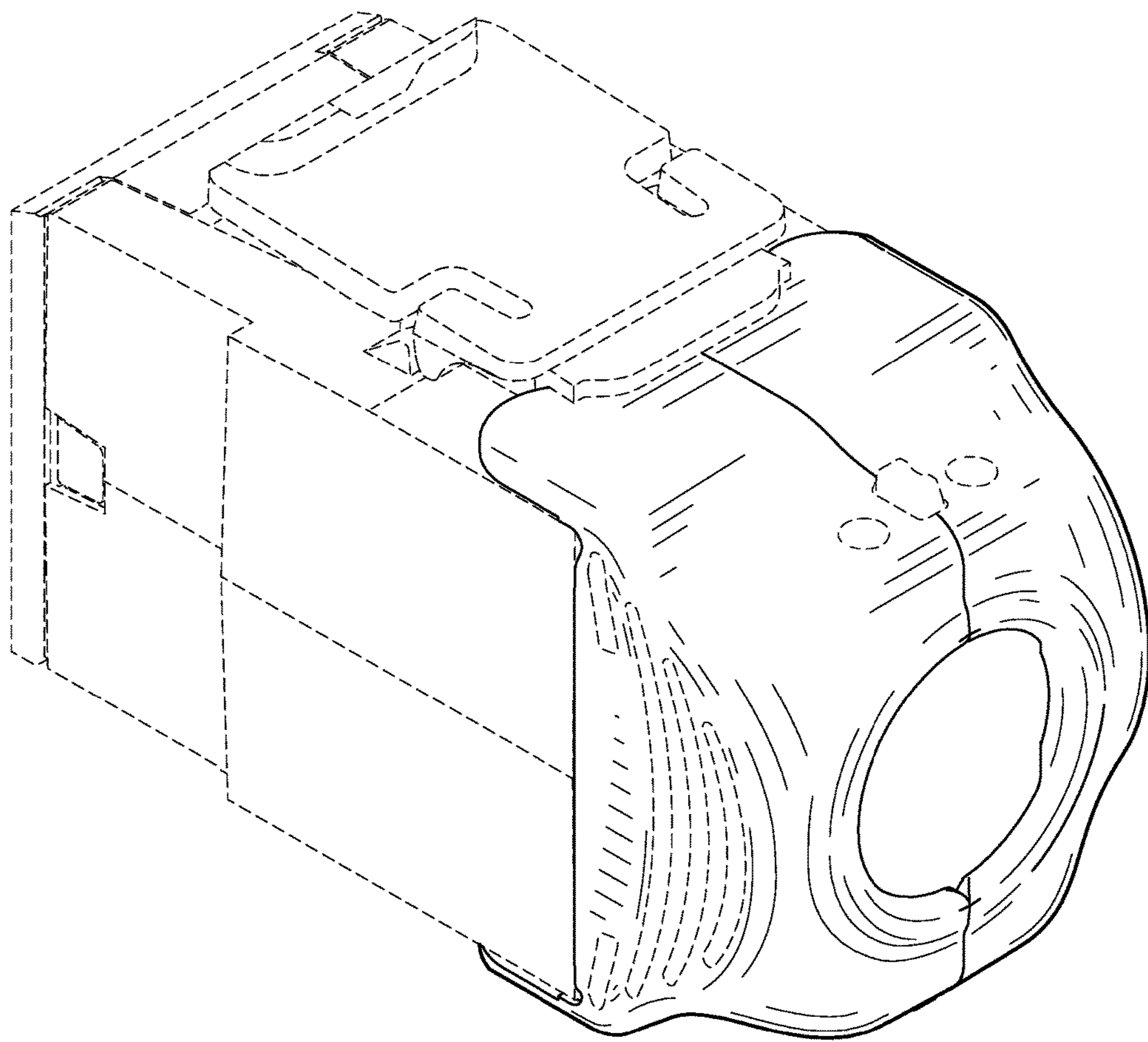


FIG.1

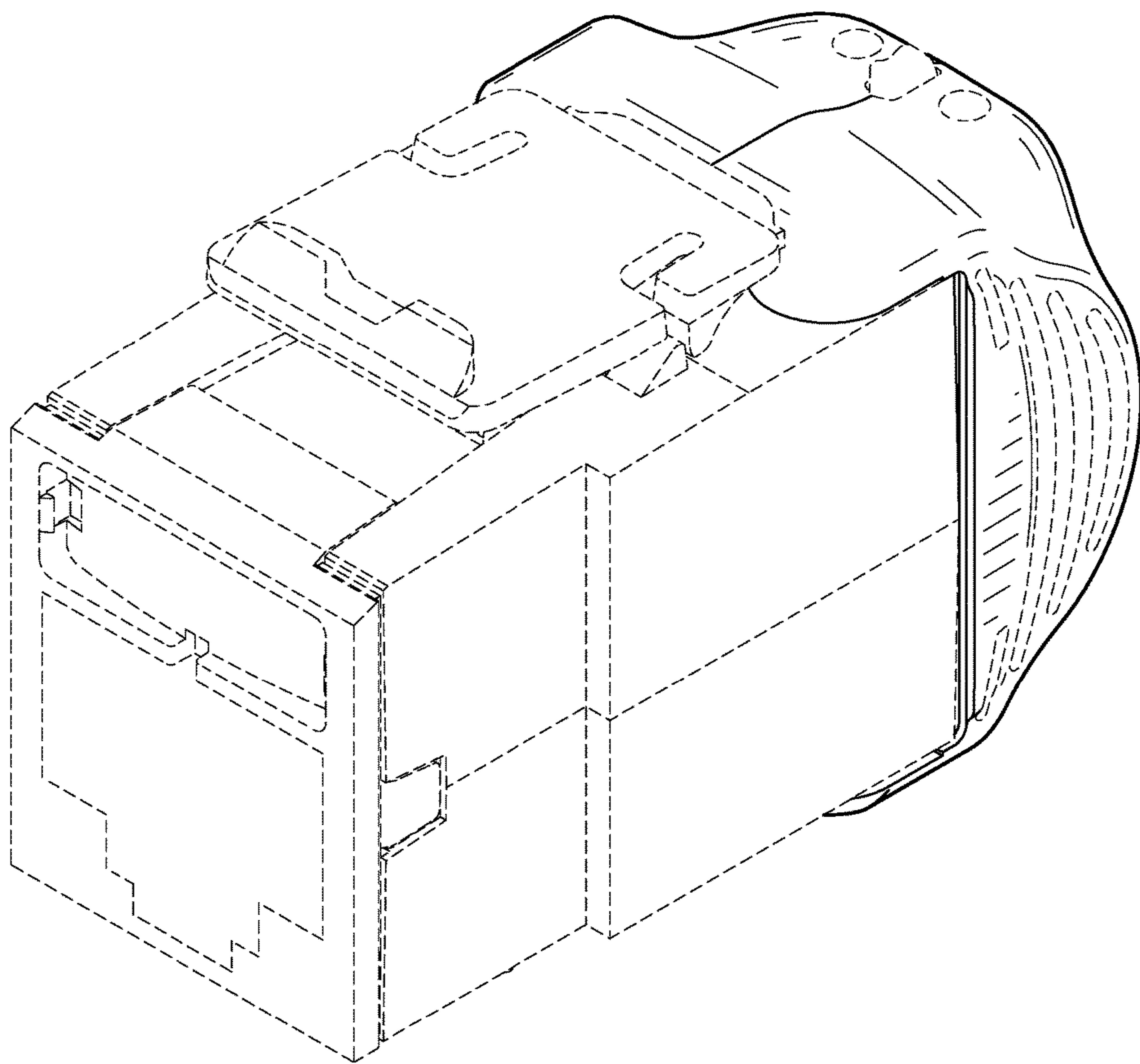


FIG. 2

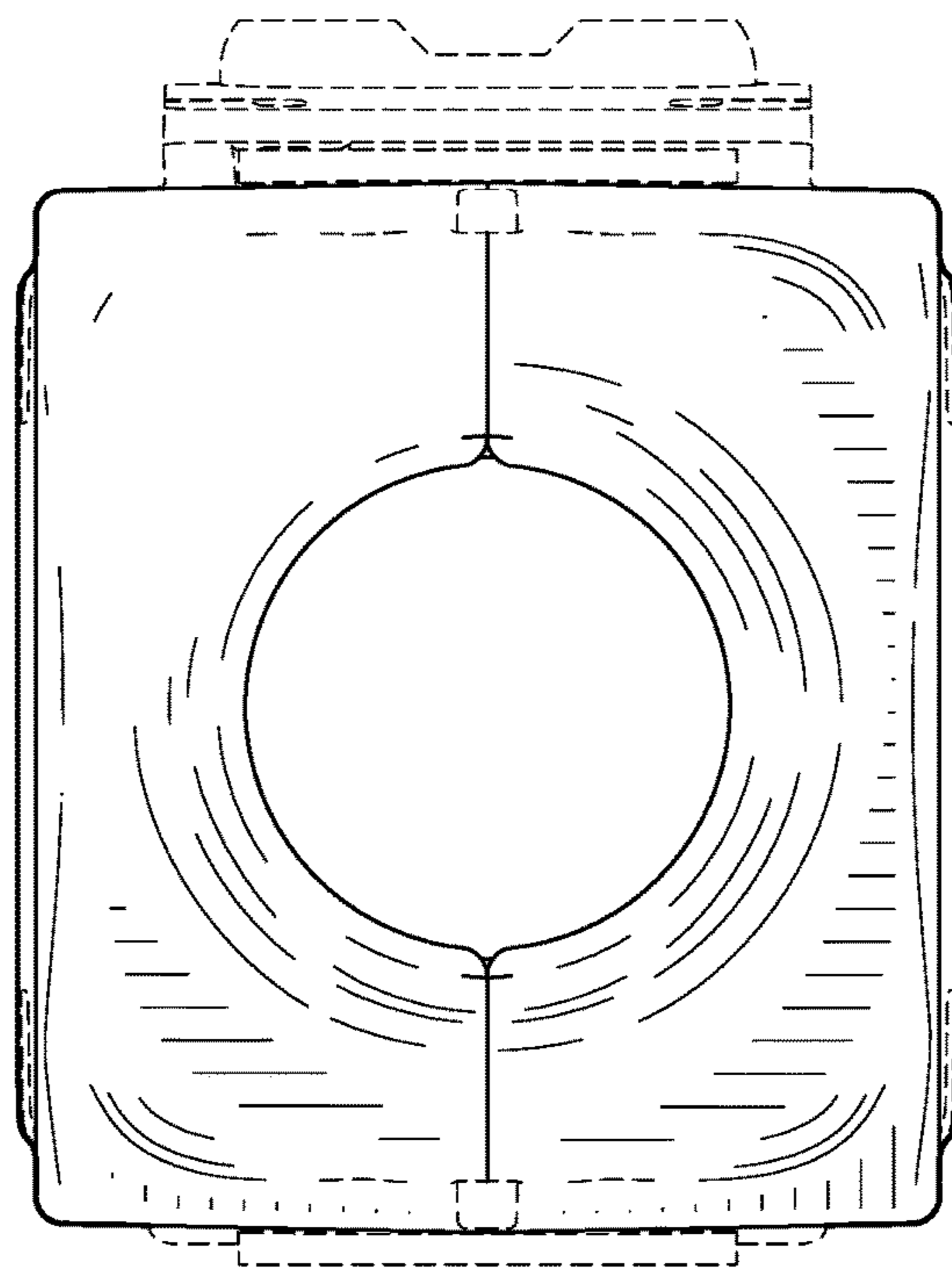


FIG. 3

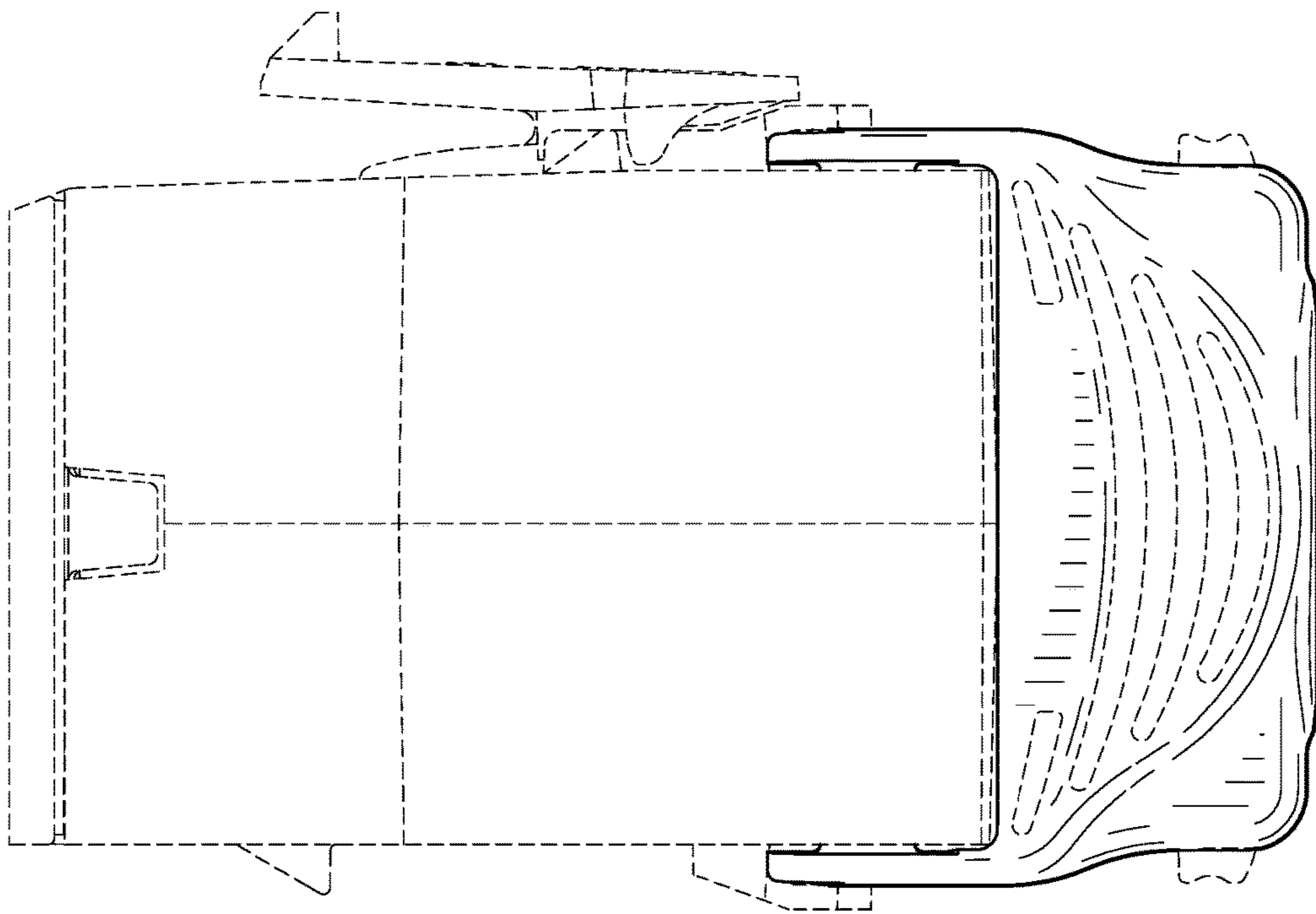


FIG. 4

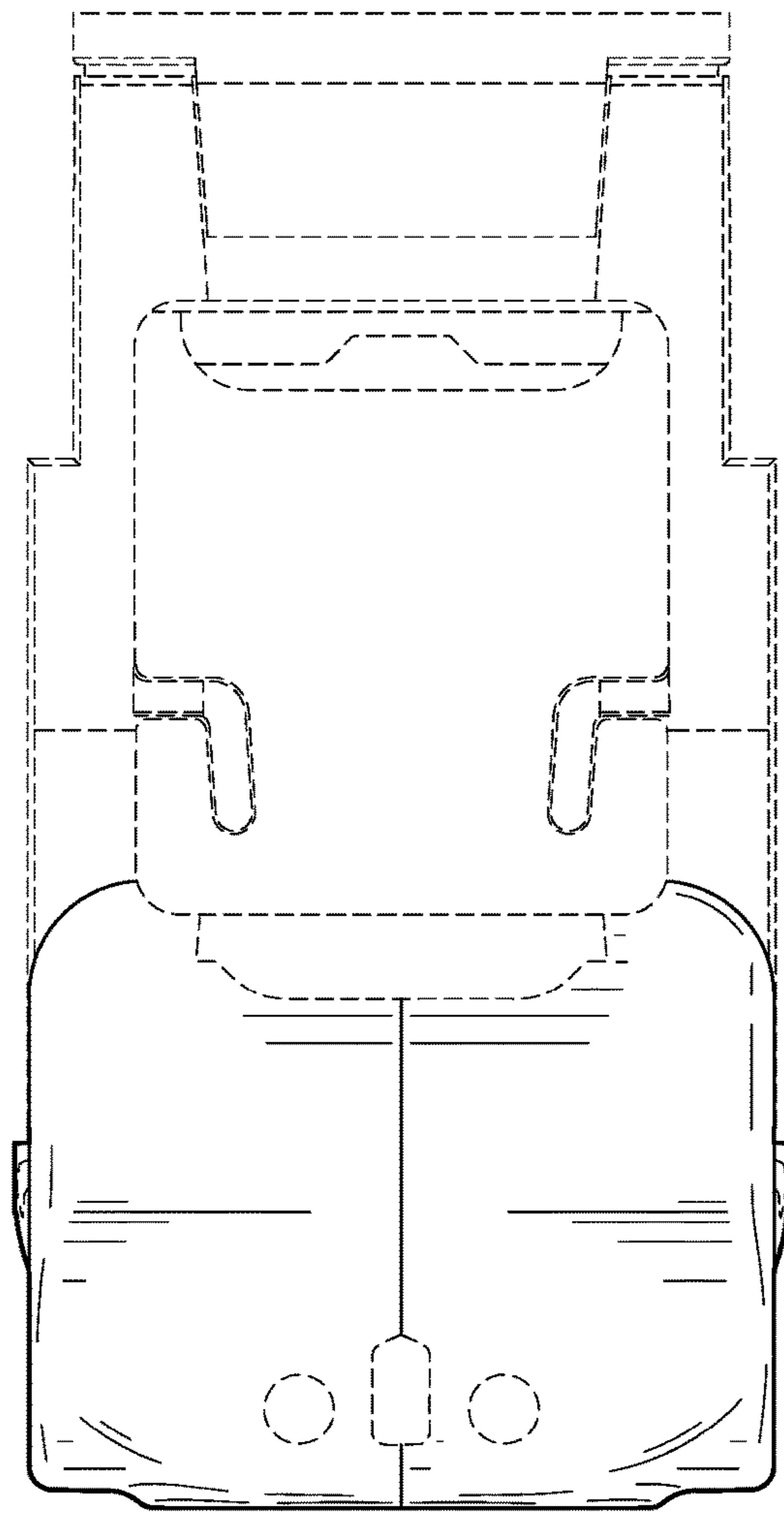


FIG. 5

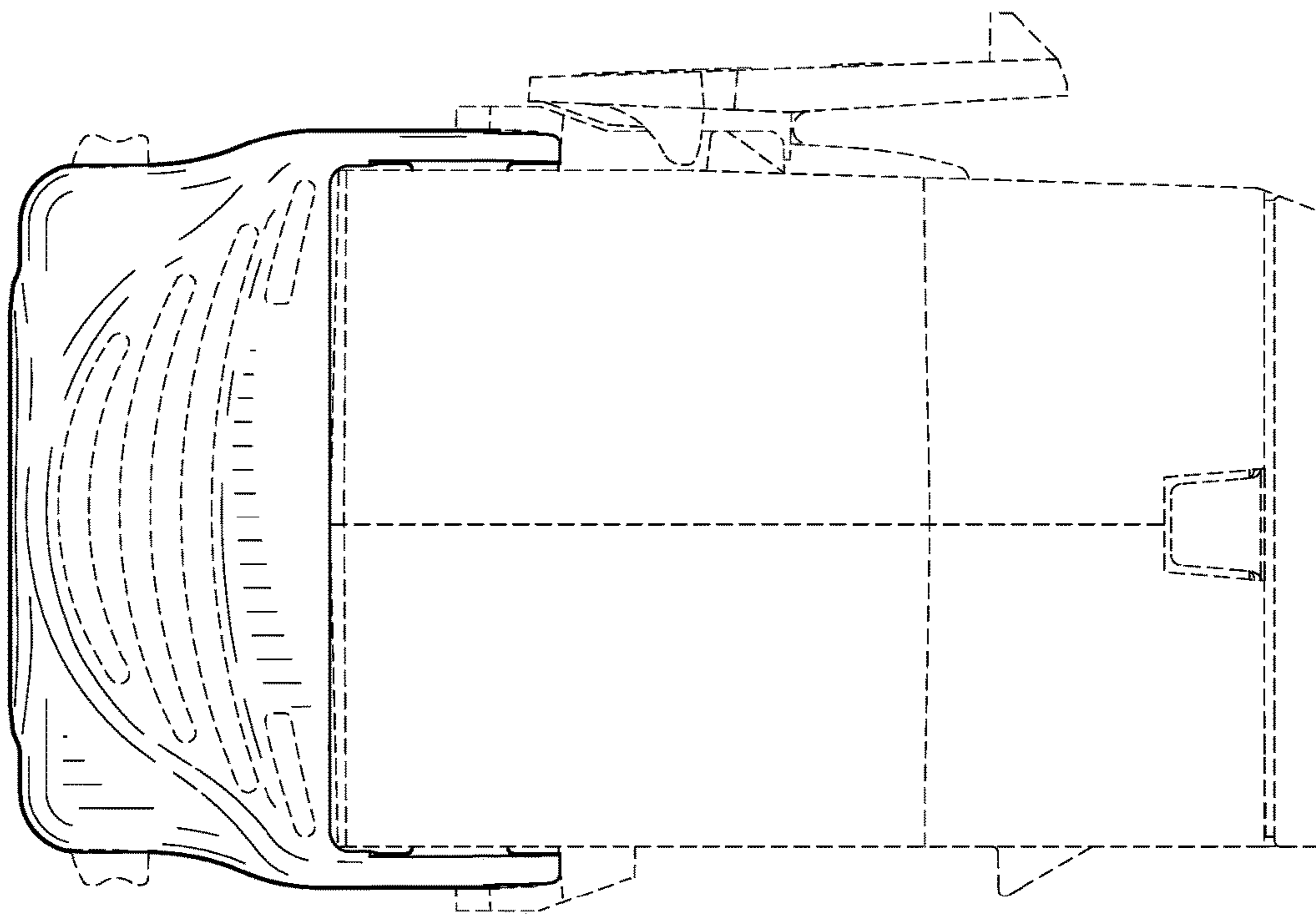


FIG. 6

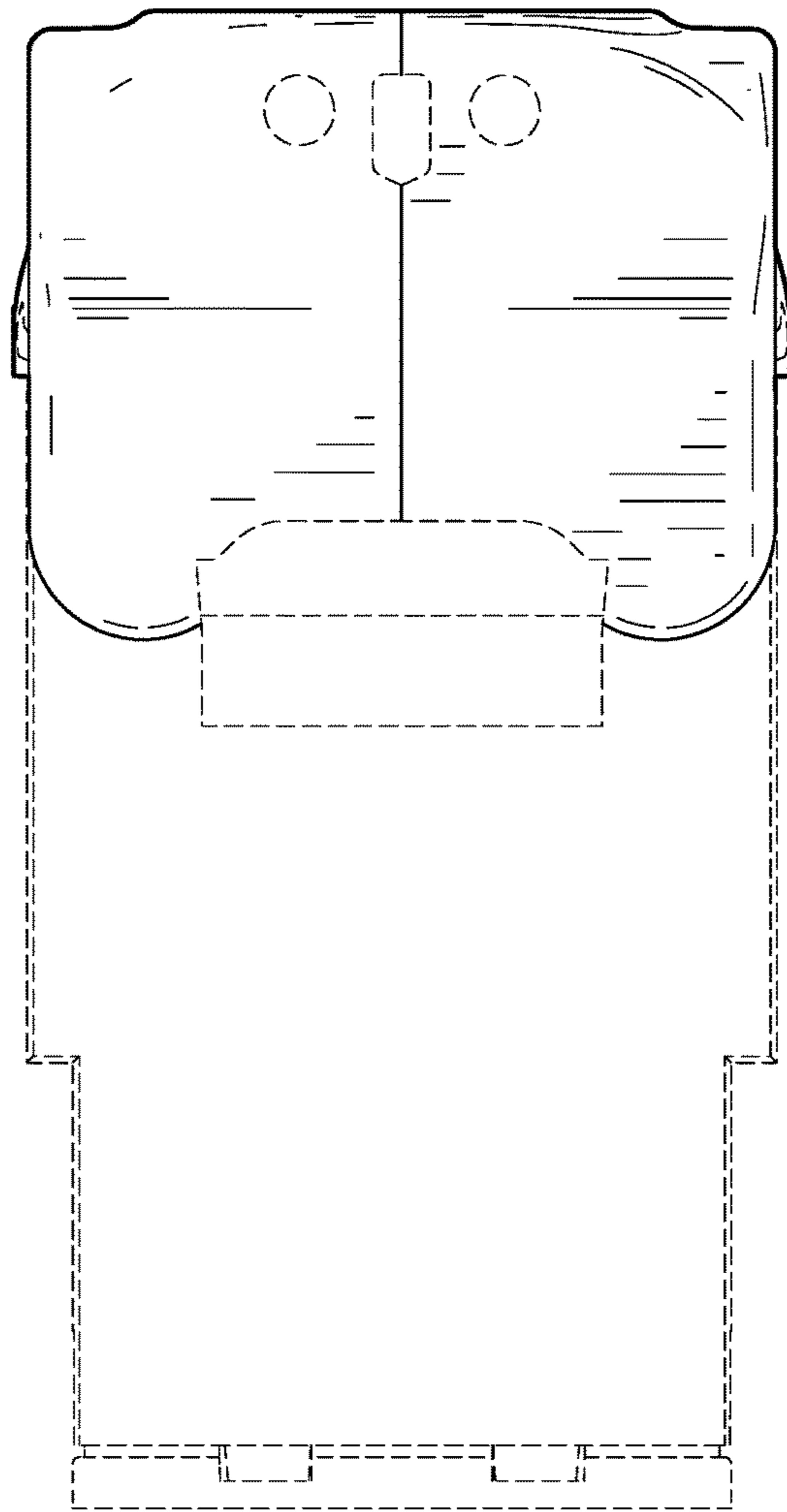


FIG. 7

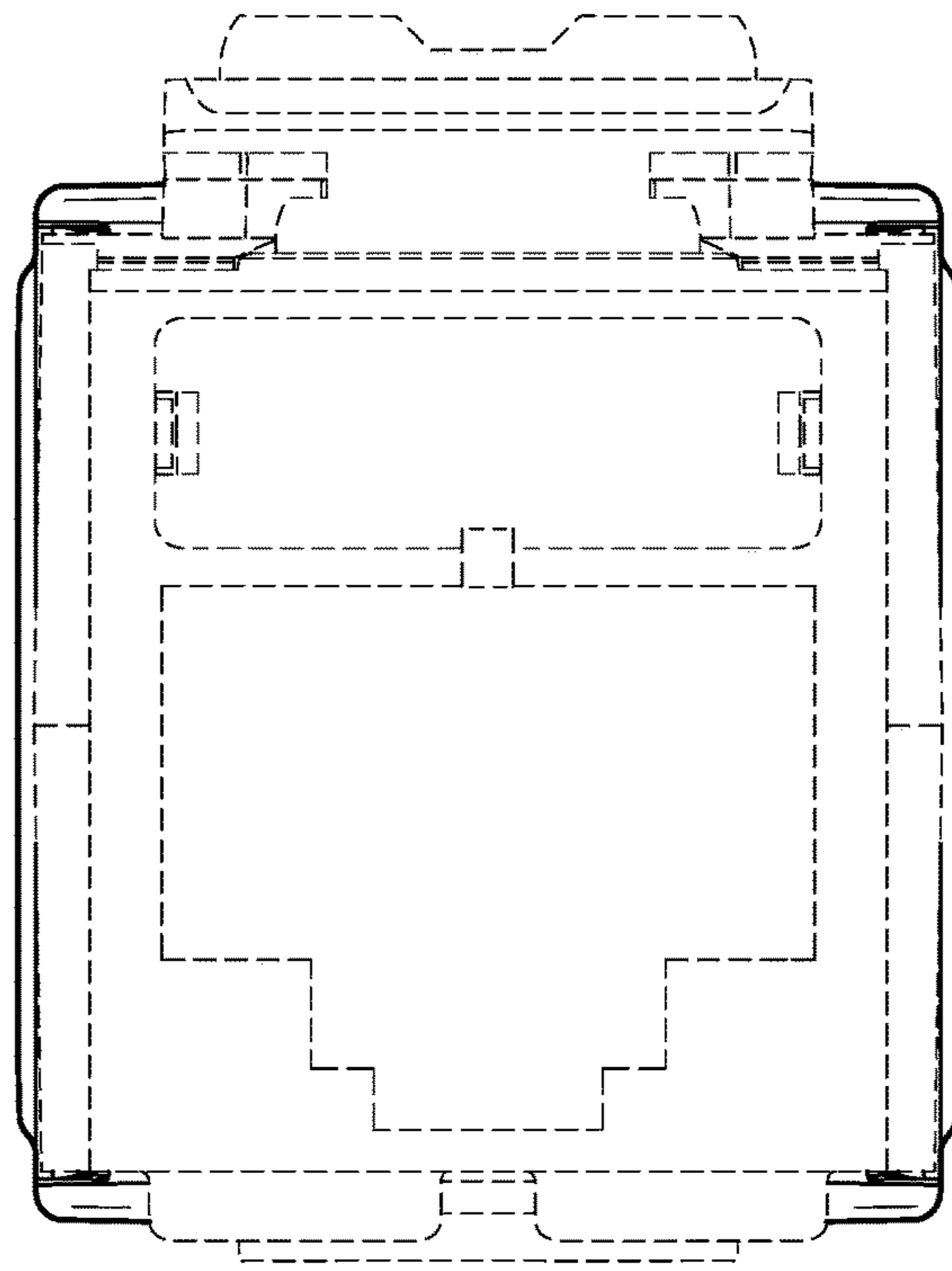


FIG. 8