



US00D848429S

(12) **United States Design Patent**  
**Fook**

(10) **Patent No.:** **US D848,429 S**

(45) **Date of Patent:** **\*\* May 14, 2019**

(54) **HAND HELD 3D SCANNING DEVICE WITH FEEDBACK SYSTEM**

(71) Applicant: **Lee Seng Fook**, Singapore (SG)

(72) Inventor: **Lee Seng Fook**, Singapore (SG)

(\*\*) Term: **15 Years**

(21) Appl. No.: **29/625,216**

(22) Filed: **Nov. 8, 2017**

(51) **LOC (11) Cl.** ..... **14-02**

(52) **U.S. Cl.**  
USPC ..... **D14/428**

(58) **Field of Classification Search**

USPC ..... D14/420, 426-430, 453, 346, 341, 347, D14/412, 138; D13/107, 184; 358/473; 235/462.43, 462.45, 462.47, 462.48, 235/462.44, 462.46, 487, 472.01, 472.02, 235/145 A, 145 R, 462.21, 462.42, 235/462.01, 462.35; D10/78, 70; 324/426; D3/273; 710/73; D18/7; 361/679, 728, 679.56; 382/313, 312, 276, 382/285-295, 314-325; 455/575.1, 561, 455/572; 345/156, 168, 169, 172, 173, 345/87; 705/17, 18, 22-25; D26/45-51; D24/185; D8/68; 348/47, 49, E13.074; 702/85, 94, 95, 127, 150-168, 189; 356/601-613, 625-640

CPC ..... G06F 1/626; G06F 1/1626; G06F 1/1656; G06F 1/1632; G06F 1/1684; G06F 1/1635; G06F 8/63; G06F 17/30091; G06F 9/4401; G06K 7/10881; G06K 7/1098; G06K 7/10722; G06K 7/1404; G06K 7/0004; G06K 7/10633; G06K 7/10693; G06K 7/10544; G06K 7/10732; G06K 7/14; G06K 7/1413; G06K 7/10831; G06K 7/10851; G06K 7/1091; G06K 7/1092; G06K 7/1093; G06K 7/10; G06K 7/109; G06K 7/1417; G06K 9/228; G06K 17/0022; G06K 17/00; G06K 2207/1011; G06K 2207/1013; G06K 2207/1016; G06K 2207/1018; G06K

2017/0051; G06K 2017/0067; G06K 2007/10524; G06K 19/06018; G06K 19/06028; G06K 19/06037; G07G 1/0081; G07G 1/009; G06Q 20/20; G06Q 20/201; G06Q 20/202; G06Q 20/203; G06Q 20/30; G06Q 20/32; G06Q 20/322; G06Q 20/4014; G06Q 10/087; H04N 1/00127; H04N 1/00135; H04N 1/00326; H04N 1/00334; H04N 1/00307; H04N 1/107; H04N 2201/0084; H04N 2101/00; H04M 1/0249; H04M 1/0262; H04M 1/0266; H04M 1/18; H04M 1/23; H04M 1/236; H04B 1/3827; H04B 1/3833; H04B 1/3877; H04B 1/3883;  
(Continued)

(56) **References Cited**

U.S. PATENT DOCUMENTS

D298,630 S \* 11/1988 Sellars, Jr. .... D14/428  
D317,154 S \* 5/1991 Allgeier ..... D14/428  
(Continued)

*Primary Examiner* — Susan Moon Lee

(74) *Attorney, Agent, or Firm* — Muncy, Geissler, Olds & Lowe, P.C.

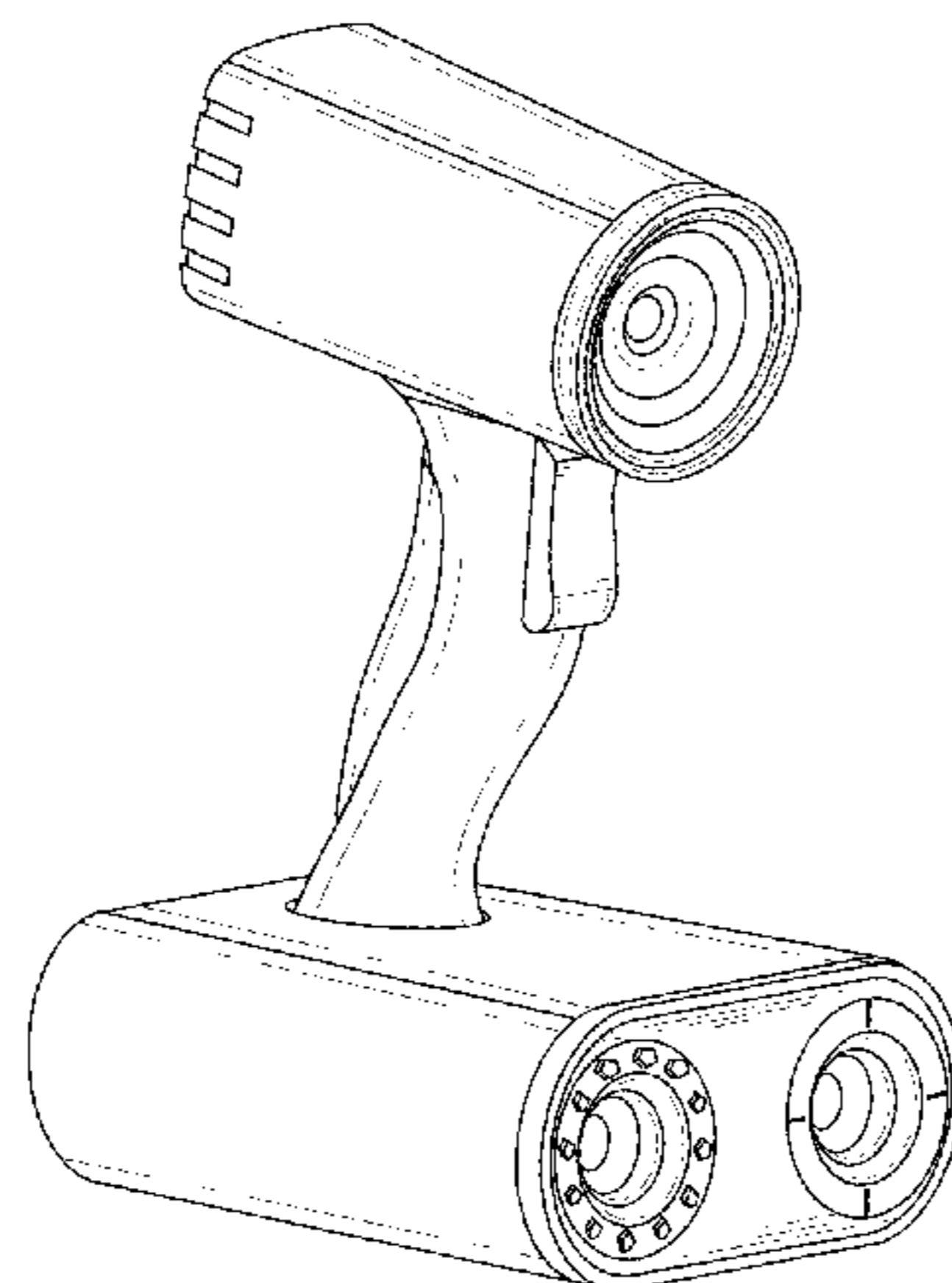
(57) **CLAIM**

I claim the ornamental design for a hand held 3D scanning device with feedback system, as shown and described.

**DESCRIPTION**

FIG. 1 is a perspective view of a hand held 3D scanning device with feedback system showing my new design; FIG. 2 is a top plan view thereof; FIG. 3 is a bottom view thereof; FIG. 4 is a front elevation view thereof; FIG. 5 is a rear elevation view thereof; FIG. 6 is a side elevation view thereof; and, FIG. 7 is an opposite side elevation view thereof.

**1 Claim, 7 Drawing Sheets**



(58) **Field of Classification Search**  
 CPC ..... H04B 1/3888; H04B 2001/3894; H01M  
 2/1066; G01B 11/2513; G01C 11/02;  
 G01C 11/025  
 See application file for complete search history.

(56) **References Cited**

U.S. PATENT DOCUMENTS

5,746,495 A \* 5/1998 Klamm ..... F21L 4/04  
 362/577  
 D435,557 S \* 12/2000 Eisenberg ..... D14/428  
 D436,200 S \* 1/2001 Cheong ..... D26/45  
 6,223,988 B1 \* 5/2001 Batterman ..... G06K 7/1092  
 235/462.1  
 D460,370 S \* 7/2002 Price ..... D10/78  
 D466,637 S \* 12/2002 Gisser ..... D26/45  
 D470,847 S \* 2/2003 Carlson ..... D14/428  
 D477,681 S \* 7/2003 Krieger ..... D26/45  
 D500,155 S \* 12/2004 Lee ..... D26/45  
 D526,731 S \* 8/2006 Cheung ..... D26/45  
 D567,419 S \* 4/2008 Ho ..... D26/45  
 D570,234 S \* 6/2008 Hui ..... D10/70  
 D584,438 S \* 1/2009 Crawford ..... D26/46  
 D605,796 S \* 12/2009 Crawford ..... D26/45  
 D628,326 S \* 11/2010 Ng ..... D26/45  
 D634,462 S \* 3/2011 Baker ..... D26/37  
 8,016,199 B2 \* 9/2011 Nunnink ..... G06K 7/10732  
 235/462.01  
 D649,273 S \* 11/2011 Baker ..... D26/45  
 D654,817 S \* 2/2012 Dede ..... D10/59  
 D673,705 S \* 1/2013 Inskeep ..... D26/45  
 D673,706 S \* 1/2013 Inskeep ..... D26/45  
 D673,707 S \* 1/2013 Inskeep ..... D26/45  
 D677,588 S \* 3/2013 Dede ..... D10/59

D702,383 S \* 4/2014 Inskeep ..... D26/45  
 D711,029 S \* 8/2014 Schnell ..... D26/45  
 D727,905 S \* 4/2015 Sullivan ..... D14/426  
 D734,753 S \* 7/2015 Sullivan ..... D14/426  
 D759,870 S \* 6/2016 Hine ..... D26/45  
 D788,341 S \* 5/2017 Inskeep ..... D26/45  
 D830,148 S \* 10/2018 Waldron ..... D8/68  
 D832,845 S \* 11/2018 Memke ..... D14/428  
 2001/0045466 A1 \* 11/2001 Bontly ..... G06K 7/10881  
 235/472.01  
 2003/0223227 A1 \* 12/2003 Levine ..... F21L 4/08  
 362/183  
 2004/0155109 A1 \* 8/2004 Kenney ..... G06Q 30/02  
 235/462.45  
 2006/0131418 A1 \* 6/2006 Testa ..... G06K 7/10544  
 235/472.01  
 2006/0133089 A1 \* 6/2006 Reid ..... F21L 4/00  
 362/294  
 2006/0133757 A1 \* 6/2006 Nunnink ..... G06K 7/10732  
 385/133  
 2008/0004822 A1 \* 1/2008 Nadabar ..... G06K 5/00  
 702/81  
 2009/0121027 A1 \* 5/2009 Nadabar ..... G06K 7/10544  
 235/470  
 2010/0134598 A1 \* 6/2010 St-Pierre ..... G01B 11/2513  
 348/47  
 2010/0308116 A1 \* 12/2010 Sani ..... A45C 11/00  
 235/472.01  
 2013/0003078 A1 \* 1/2013 Hart ..... A61B 1/043  
 356/601  
 2014/0168380 A1 \* 6/2014 Heidemann ..... G01B 11/25  
 348/47  
 2014/0231524 A1 \* 8/2014 Liou ..... G06K 7/10554  
 235/462.21  
 2017/0310948 A1 \* 10/2017 Pei ..... G01S 17/10

\* cited by examiner

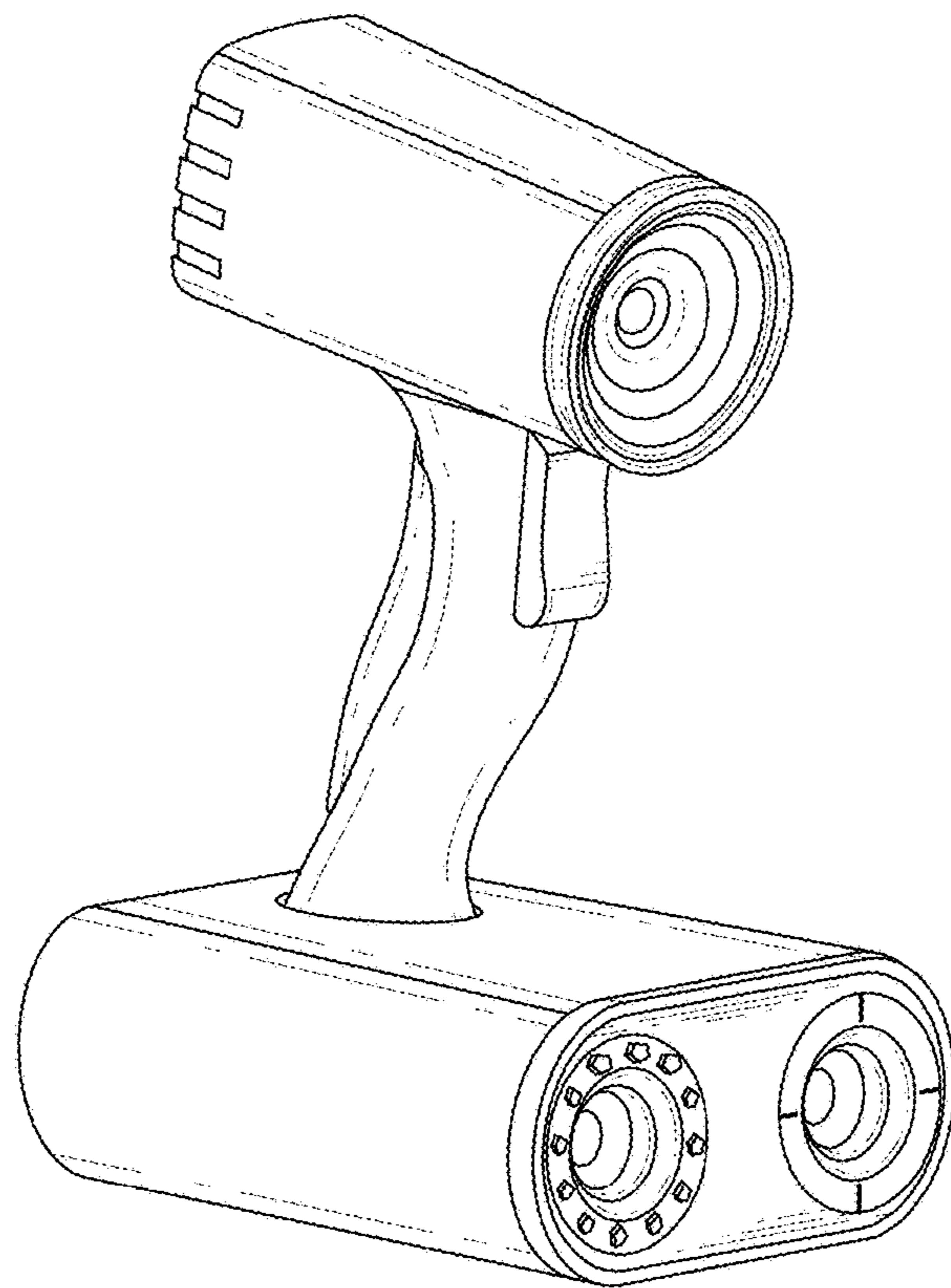


FIG. 1

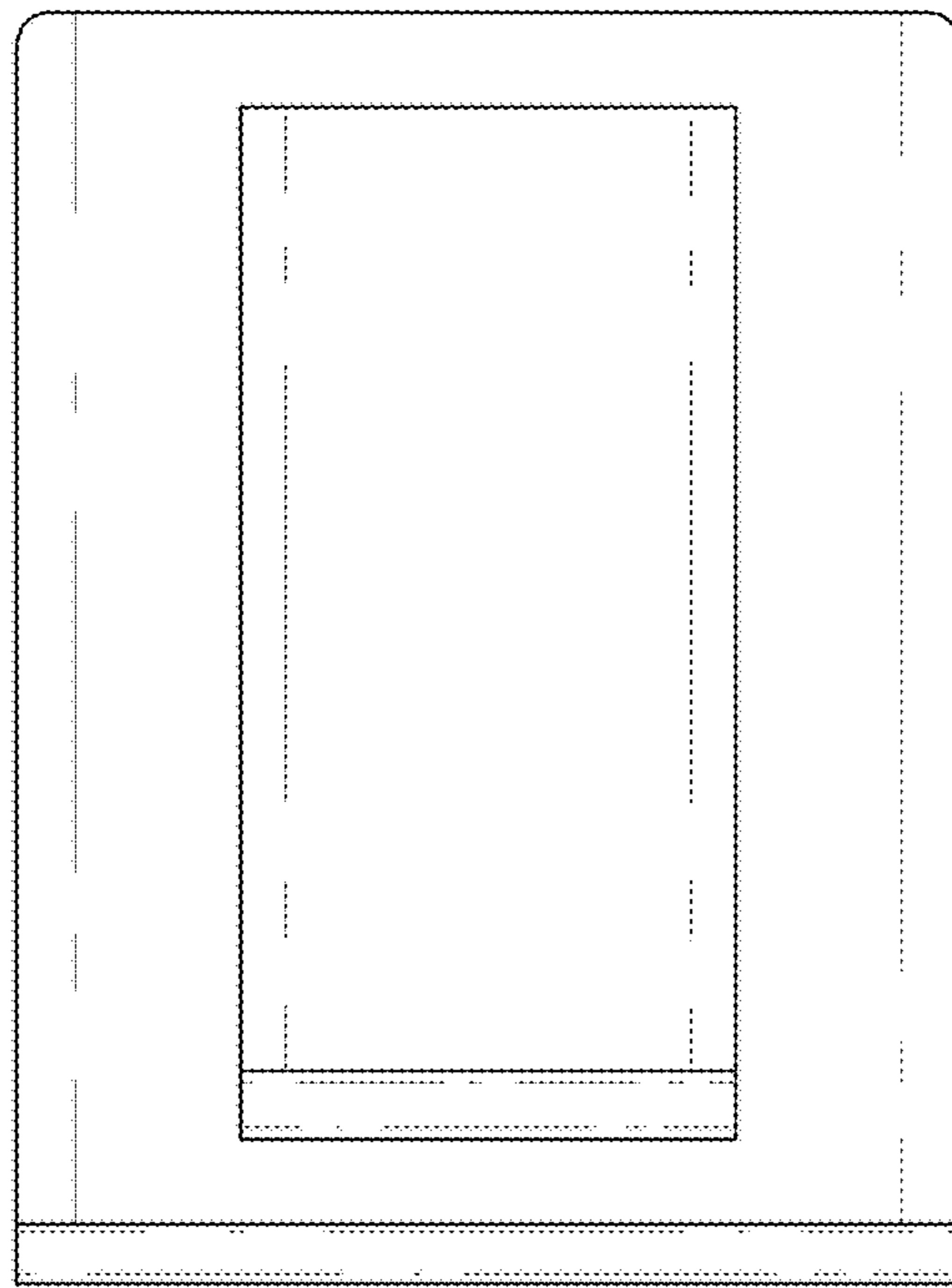


FIG. 2

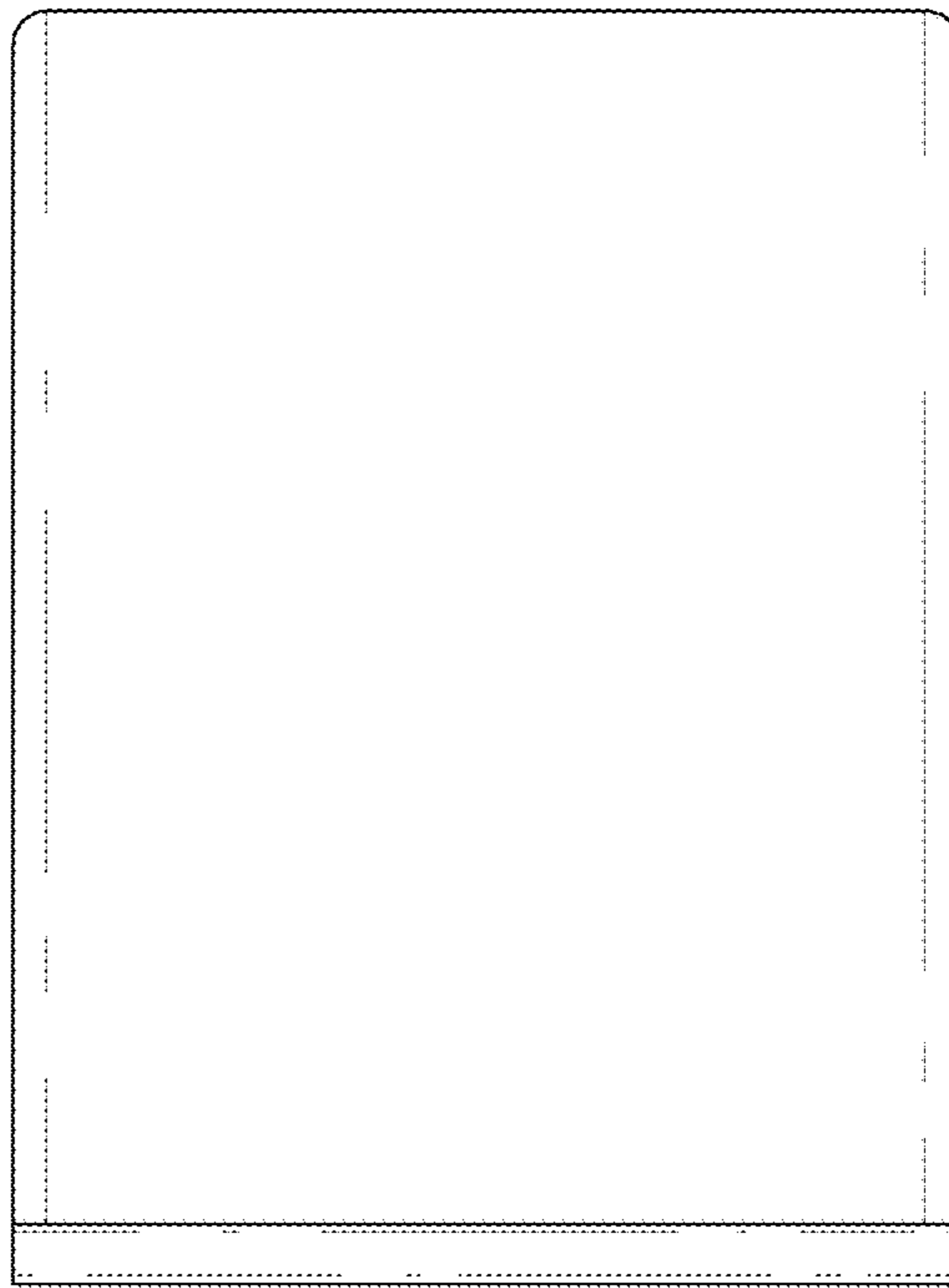


FIG. 3

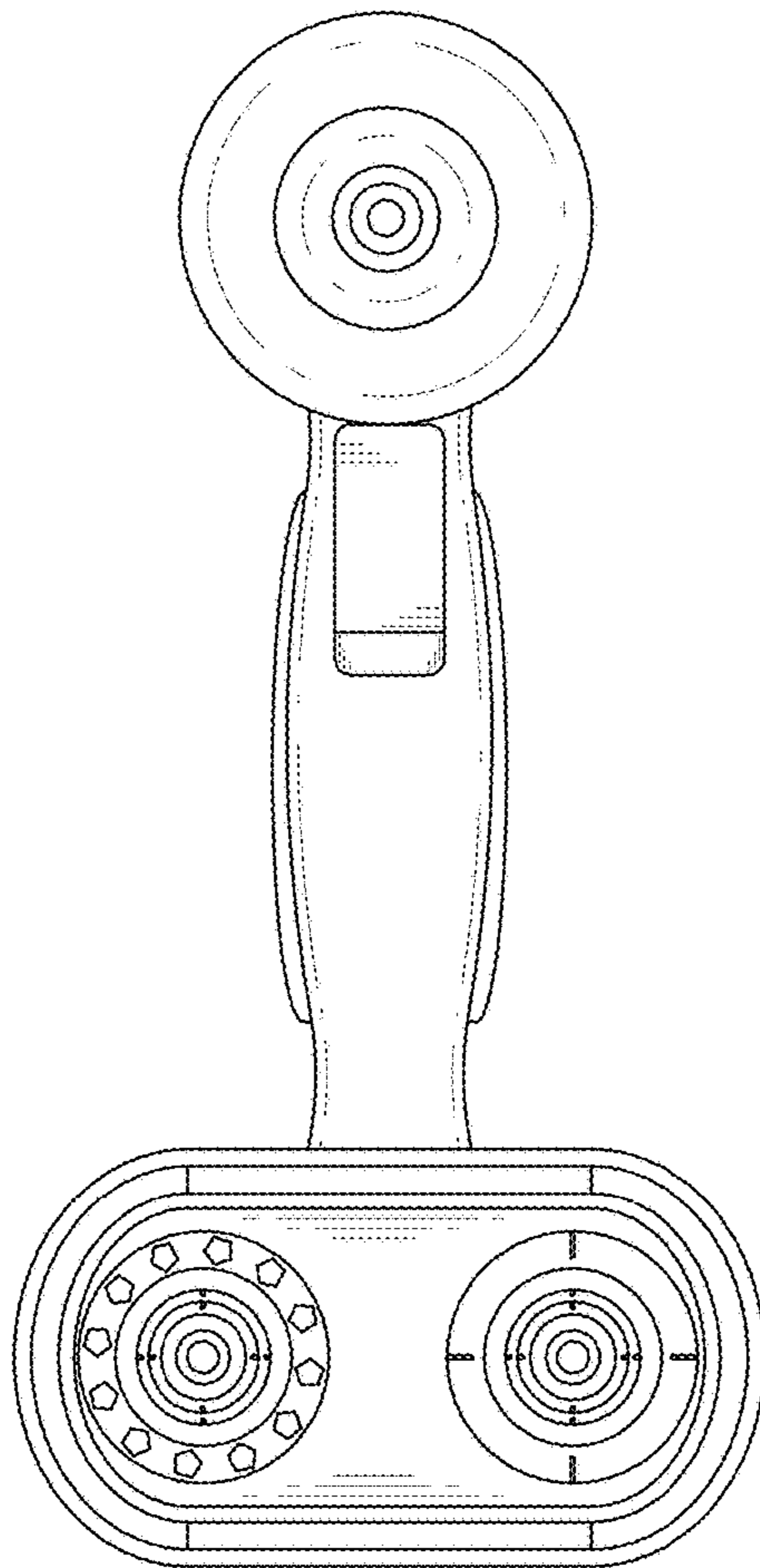


FIG. 4

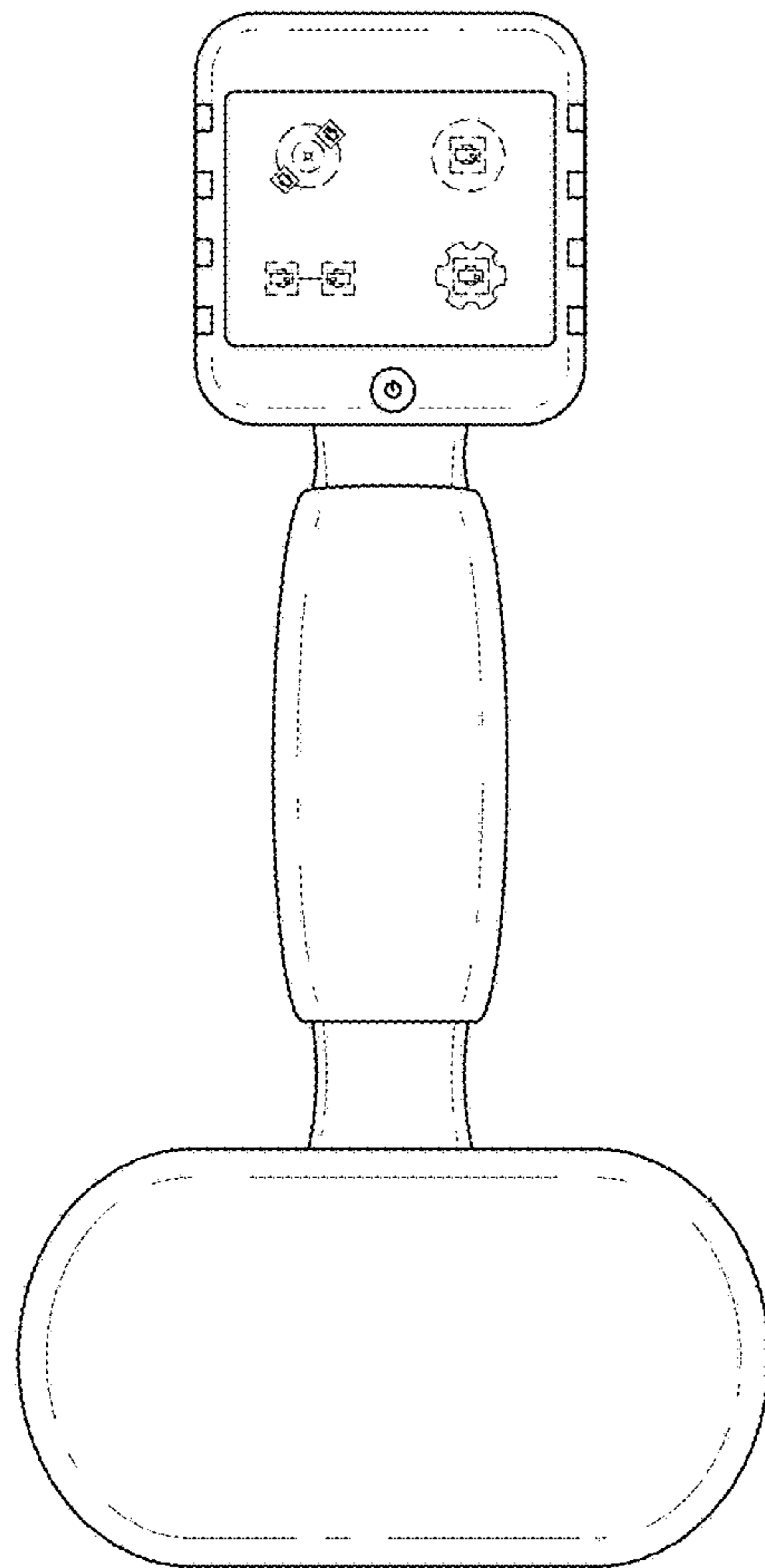


FIG. 5

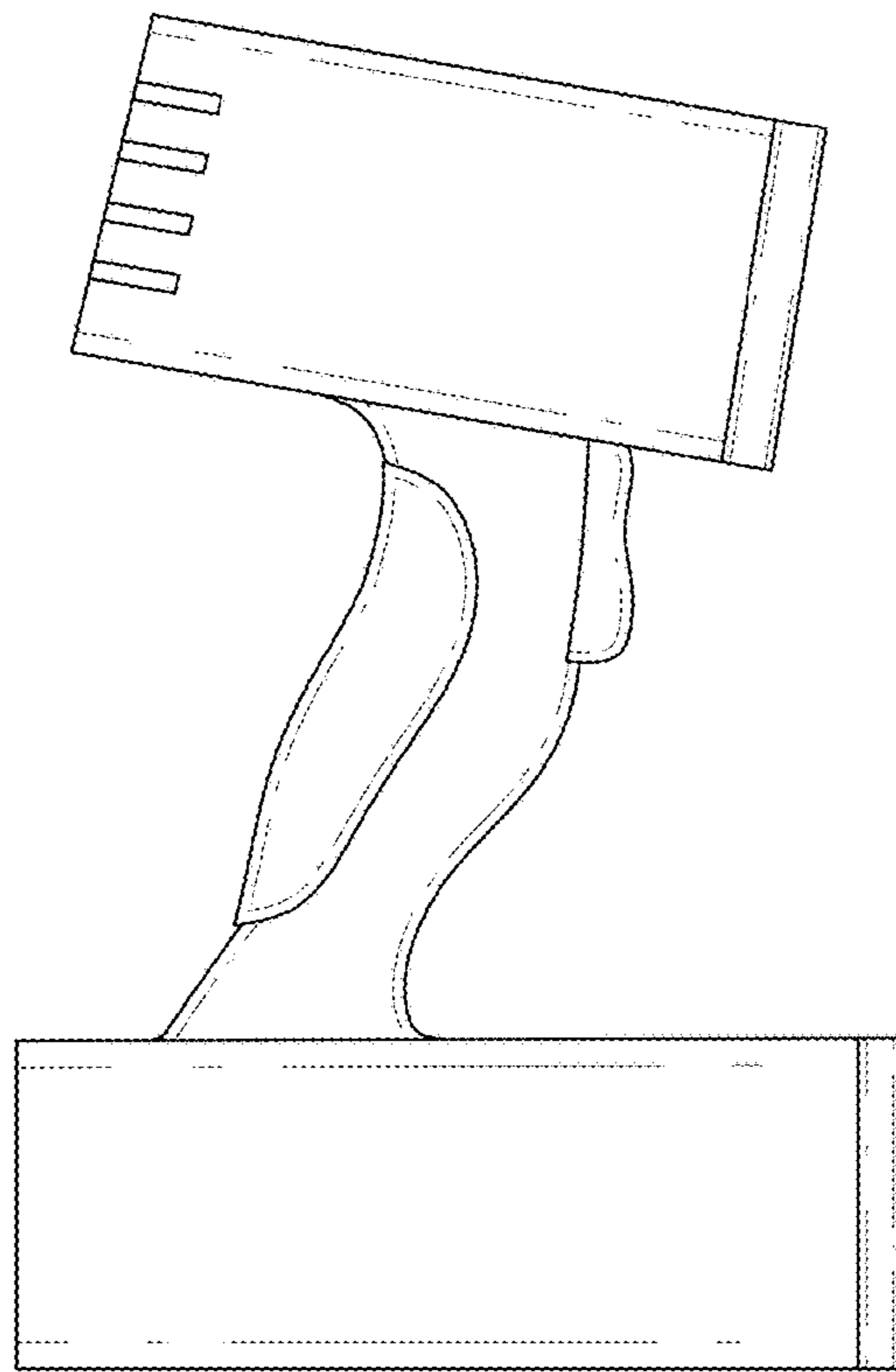


FIG. 6



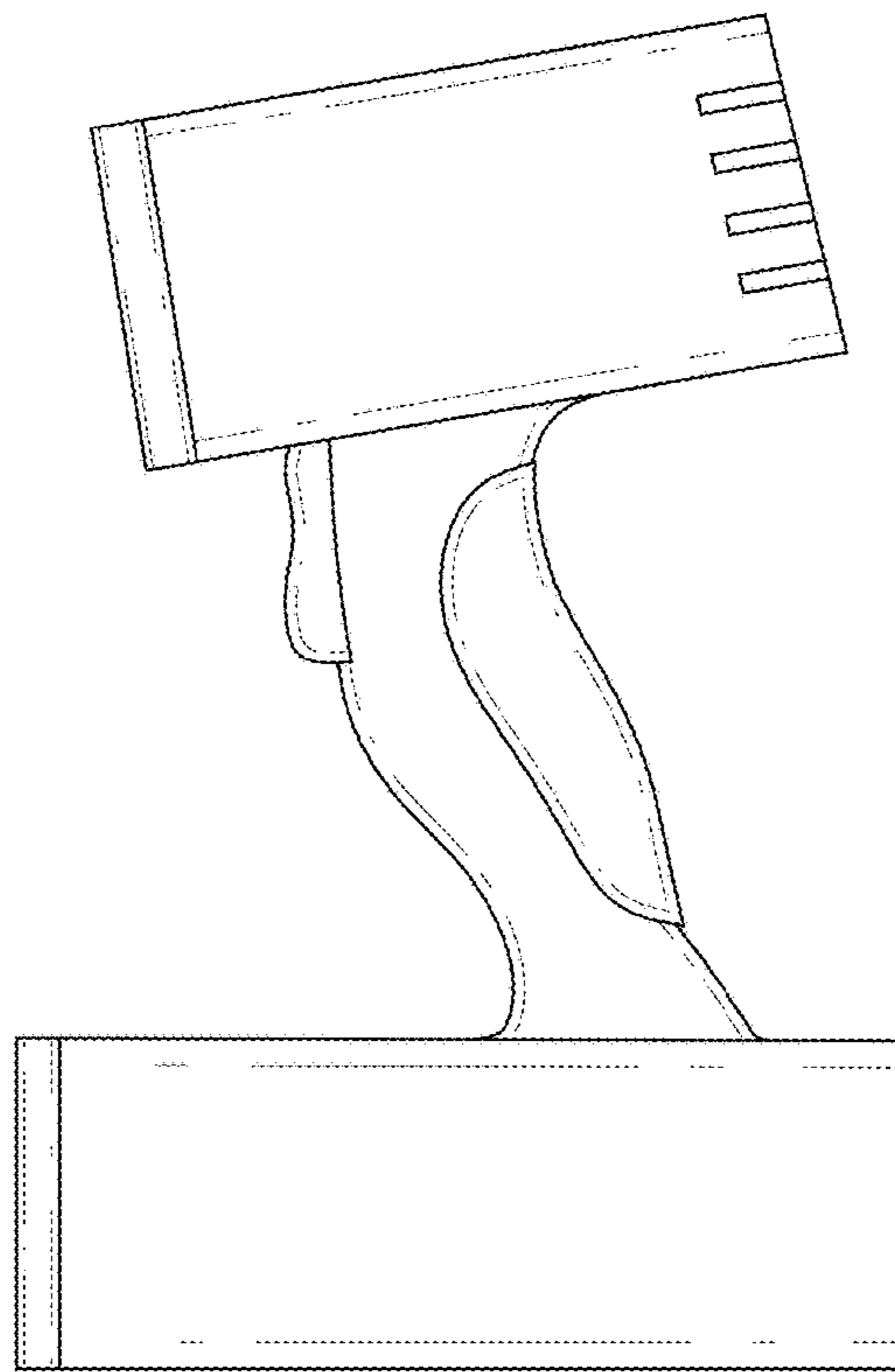


FIG. 7