

US00D848428S

(12) **United States Design Patent** (10) **Patent No.:** **US D848,428 S**
Fook (45) **Date of Patent:** **** May 14, 2019**

(54) **HAND HELD 3D SCANNING DEVICE**

(71) Applicant: **Lee Seng Fook**, Singapore (SG)

(72) Inventor: **Lee Seng Fook**, Singapore (SG)

(**) Term: **15 Years**

(21) Appl. No.: **29/625,215**

(22) Filed: **Nov. 8, 2017**

(51) **LOC (11) Cl.** **14-02**

(52) **U.S. Cl.**
USPC **D14/428**

(58) **Field of Classification Search**

USPC D14/420, 426-430, 453, 346, 341, 347, D14/412, 138; D13/107, 184; 358/473; 235/462.43, 462.45, 462.47, 462.48, 235/462.44, 462.46, 487, 472.01, 472.02, 235/145 A, 145 R, 462.21, 462.42, 235/462.01, 462.35; D10/78, 70; 324/426; D3/273; 710/73; D18/7; 361/679, 728, 679.56; 382/313, 312, 276, 382/285-295, 314-325; 455/575.1, 561, 455/572; 345/156, 168, 169, 172, 173, 345/87; 705/17, 18, 22-25; D26/45-51; D24/185; D8/68; 348/47, 49, E13.074; 702/85, 94, 95, 127, 150-168, 189; 356/601-613, 625-640
CPC G06F 1/626; G06F 1/1626; G06F 1/1656; G06F 1/1632; G06F 1/1684; G06F 1/1635; G06F 8/63; G06F 17/30091; G06F 9/4401; G06K 7/10881; G06K 7/1098; G06K 7/10722; G06K 7/1404; G06K 7/0004; G06K 7/10633; G06K 7/10693; G06K 7/10544; G06K 7/10732; G06K 7/14; G06K 7/1413; G06K 7/10831; G06K 7/10851; G06K 7/1091; G06K 7/1092; G06K 7/1093; G06K 7/10; G06K 7/109; G06K 7/1417; G06K 9/228; G06K 17/022; G06K 17/00; G06K 2207/1011; G06K 2207/1013; G06K 2207/1016; G06K 2207/1018; G06K 2017/0051; G06K 2017/0067; G06K

2007/10524; G06K 19/06018; G06K 19/06028; G06K 19/06037; G07G 1/0081; G07G 1/009; G06Q 20/20; G06Q 20/201; G06Q 20/202; G06Q 20/203; G06Q 20/30; G06Q 20/32; G06Q 20/322; G06Q 20/4014; G06Q 10/087; H04N 1/00127; H04N 1/00135; H04N 1/00326; H04N 1/00334; H04N 1/00307; H04N 1/107; H04N 2201/0084; H04N 2101/00; H04M 1/0249; H04M 1/0262; H04M 1/0266; H04M 1/18; H04M 1/23; H04M 1/236; H04B 1/3827; H04B 1/3833; H04B 1/3877; H04B 1/3883; H04B 1/3888; H04B 2001/3894; H01M
(Continued)

(56) **References Cited**

U.S. PATENT DOCUMENTS

D298,630 S * 11/1988 Sellars, Jr. D14/428
D317,154 S * 5/1991 Allgeier D14/428
(Continued)

Primary Examiner — Susan Moon Lee
(74) *Attorney, Agent, or Firm* — Muncy, Geissler, Olds & Lowe, P.C.

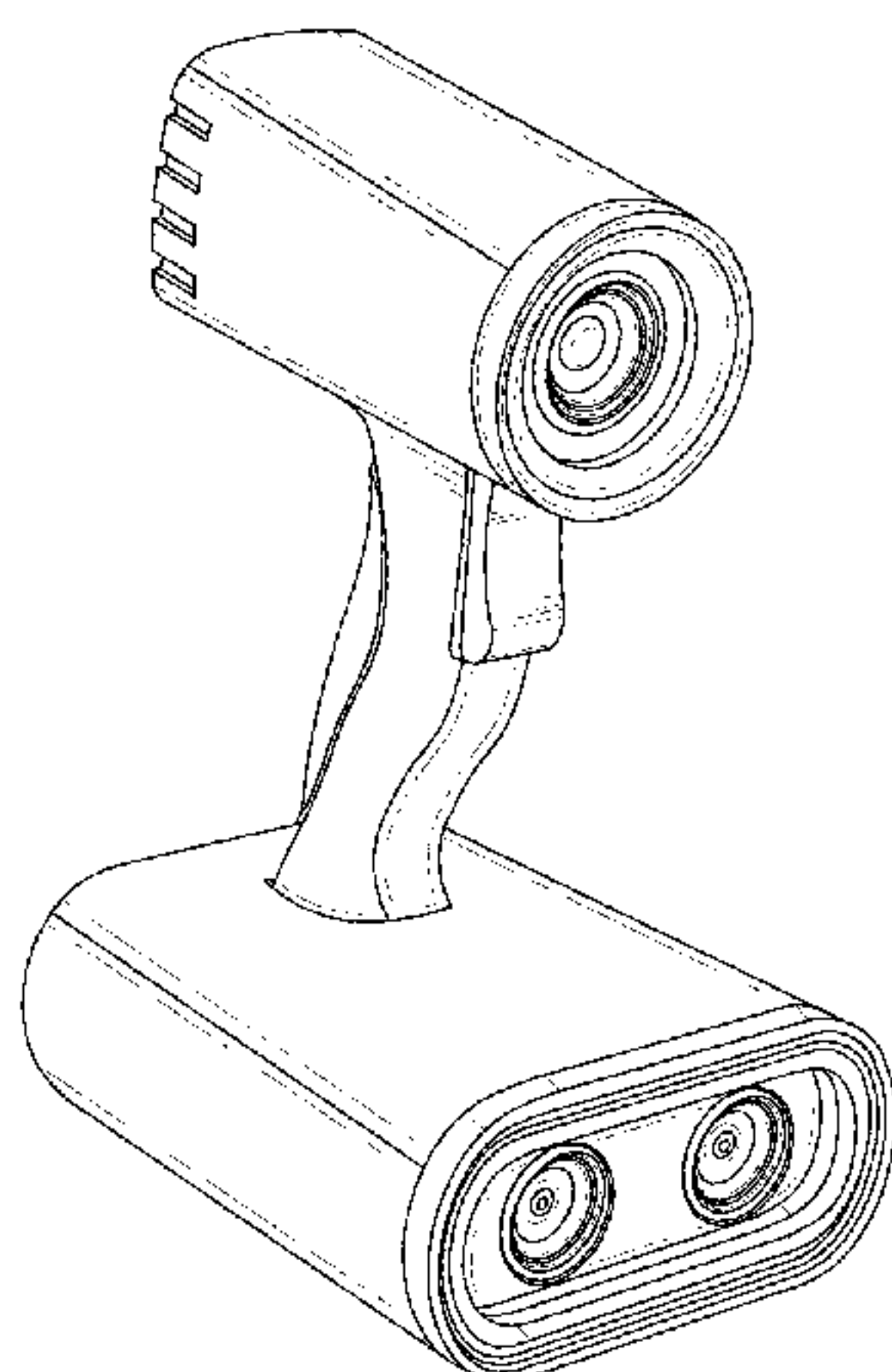
(57) **CLAIM**

I claim the ornamental design for a hand held 3D scanning device, as shown and described.

DESCRIPTION

FIG. 1 is a perspective view of a hand held 3D scanning device showing my new design;
FIG. 2 is a top plan view thereof;
FIG. 3 is a bottom view thereof;
FIG. 4 is a front elevation view thereof;
FIG. 5 is a rear elevation view thereof;
FIG. 6 is a side elevation view thereof; and,
FIG. 7 is an opposite side elevation view thereof.

1 Claim, 7 Drawing Sheets



(58) **Field of Classification Search**
 CPC .. 2/1066; G01B 11/2513; G01C 11/02; G01C
 11/025
 See application file for complete search history.

(56) **References Cited**

U.S. PATENT DOCUMENTS

5,746,495 A * 5/1998 Klamm F21L 4/04
 362/577
 D435,557 S * 12/2000 Eisenberg D14/428
 D436,200 S * 1/2001 Cheong D26/45
 6,223,988 B1 * 5/2001 Batterman G06K 7/1092
 235/462.1
 D460,370 S * 7/2002 Price D10/78
 D466,637 S * 12/2002 Gisser D26/45
 D470,847 S * 2/2003 Carlson D14/428
 D477,681 S * 7/2003 Krieger D26/45
 D500,155 S * 12/2004 Lee D26/45
 D526,731 S * 8/2006 Cheung D26/45
 D567,419 S * 4/2008 Ho D26/45
 D570,234 S * 6/2008 Hui D10/70
 D584,438 S * 1/2009 Crawford D26/46
 D605,796 S * 12/2009 Crawford D26/45
 D628,326 S * 11/2010 Ng D26/45
 D634,462 S * 3/2011 Baker D26/37
 8,016,199 B2 * 9/2011 Nunnink G06K 7/10732
 235/462.01
 D649,273 S * 11/2011 Baker D26/45
 D654,817 S * 2/2012 Dede D10/59
 D673,705 S * 1/2013 Inskeep D26/45
 D673,706 S * 1/2013 Inskeep D26/45
 D673,707 S * 1/2013 Inskeep D26/45
 D677,588 S * 3/2013 Dede D10/59
 D702,383 S * 4/2014 Inskeep D26/45

D711,029 S * 8/2014 Schnell D26/45
 D727,905 S * 4/2015 Sullivan D14/426
 D734,753 S * 7/2015 Sullivan D14/426
 D759,870 S * 6/2016 Hine D26/45
 D788,341 S * 5/2017 Inskeep D26/45
 D830,148 S * 10/2018 Waldron D8/68
 D832,845 S * 11/2018 Memke D14/428
 2001/0045466 A1 * 11/2001 Bontly G06K 7/10881
 235/472.01
 2003/0223227 A1 * 12/2003 Levine F21L 4/08
 362/183
 2004/0155109 A1 * 8/2004 Kenney G06Q 30/02
 235/462.45
 2006/0131418 A1 * 6/2006 Testa G06K 7/10544
 235/472.01
 2006/0133089 A1 * 6/2006 Reid F21L 4/00
 362/294
 2006/0133757 A1 * 6/2006 Nunnink G06K 7/10732
 385/133
 2008/0004822 A1 * 1/2008 Nadabar G06K 5/00
 702/81
 2009/0121027 A1 * 5/2009 Nadabar G06K 7/10544
 235/470
 2010/0134598 A1 * 6/2010 St-Pierre G01B 11/2513
 348/47
 2010/0308116 A1 * 12/2010 Sani A45C 11/00
 235/472.01
 2013/0003078 A1 * 1/2013 Hart A61B 1/043
 356/601
 2014/0168380 A1 * 6/2014 Heidemann G01B 11/25
 348/47
 2014/0231524 A1 * 8/2014 Liou G06K 7/10554
 235/462.21
 2017/0310948 A1 * 10/2017 Pei G01S 17/10

* cited by examiner

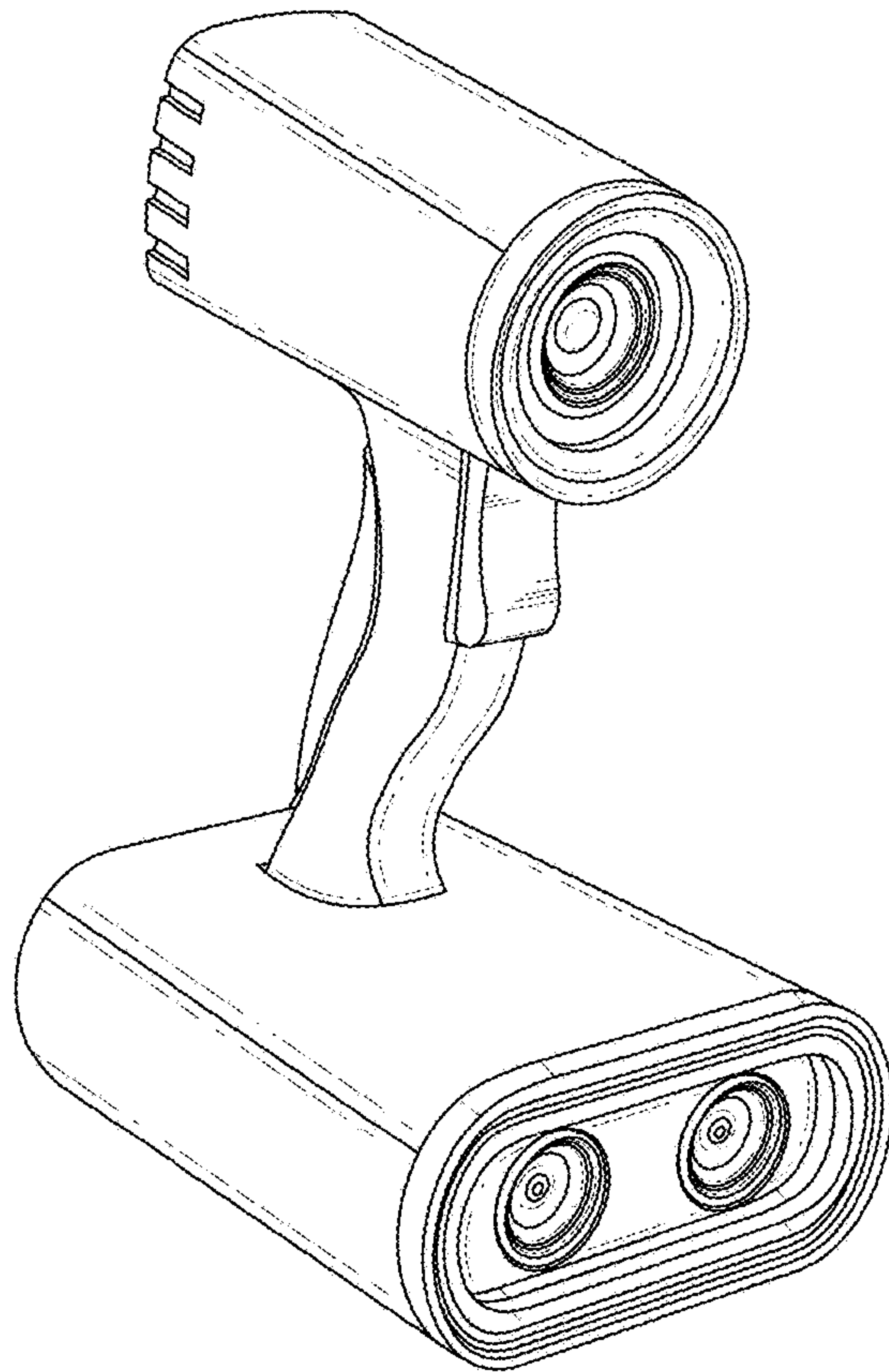


FIG. 1

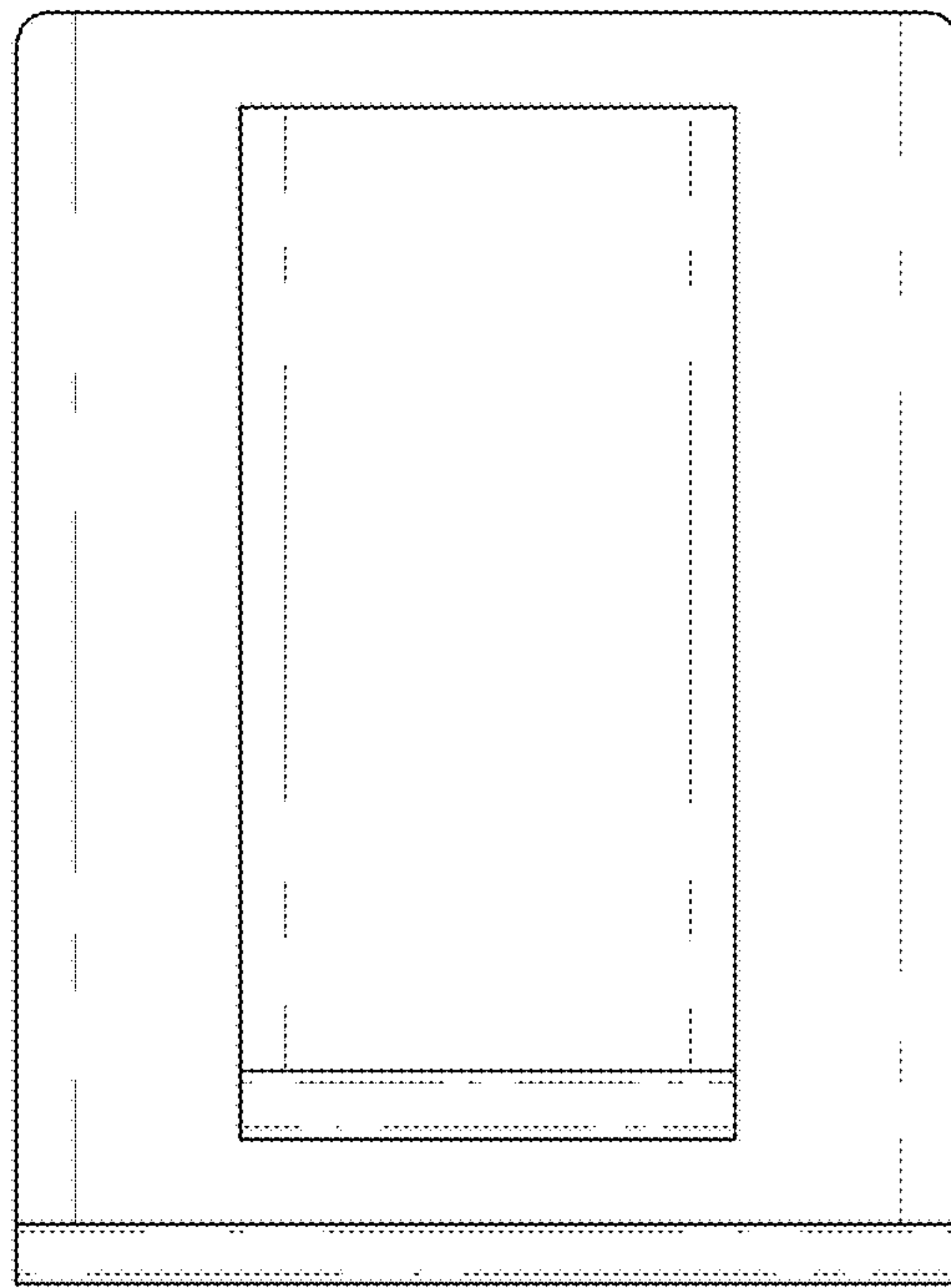


FIG. 2

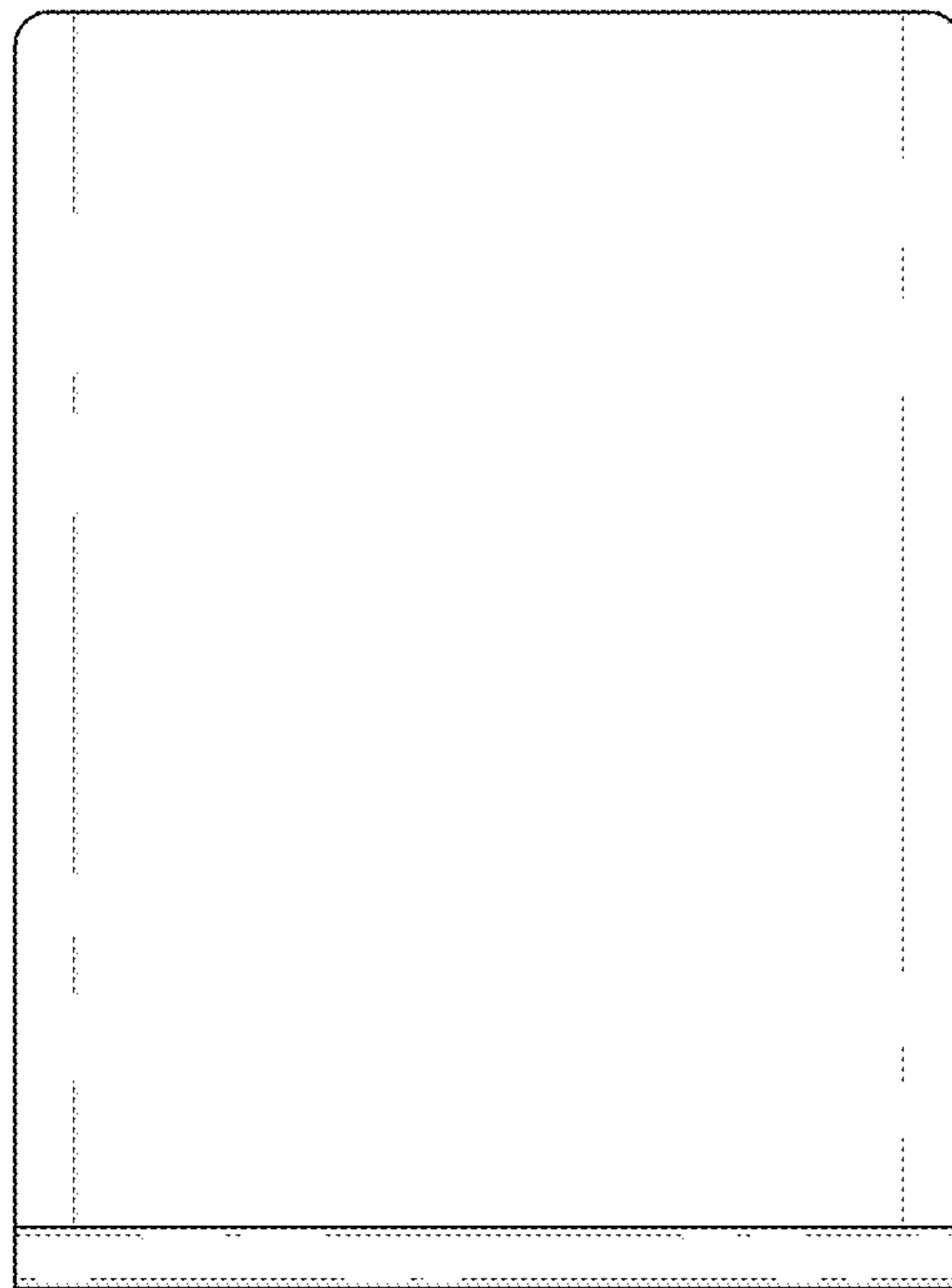


FIG. 3

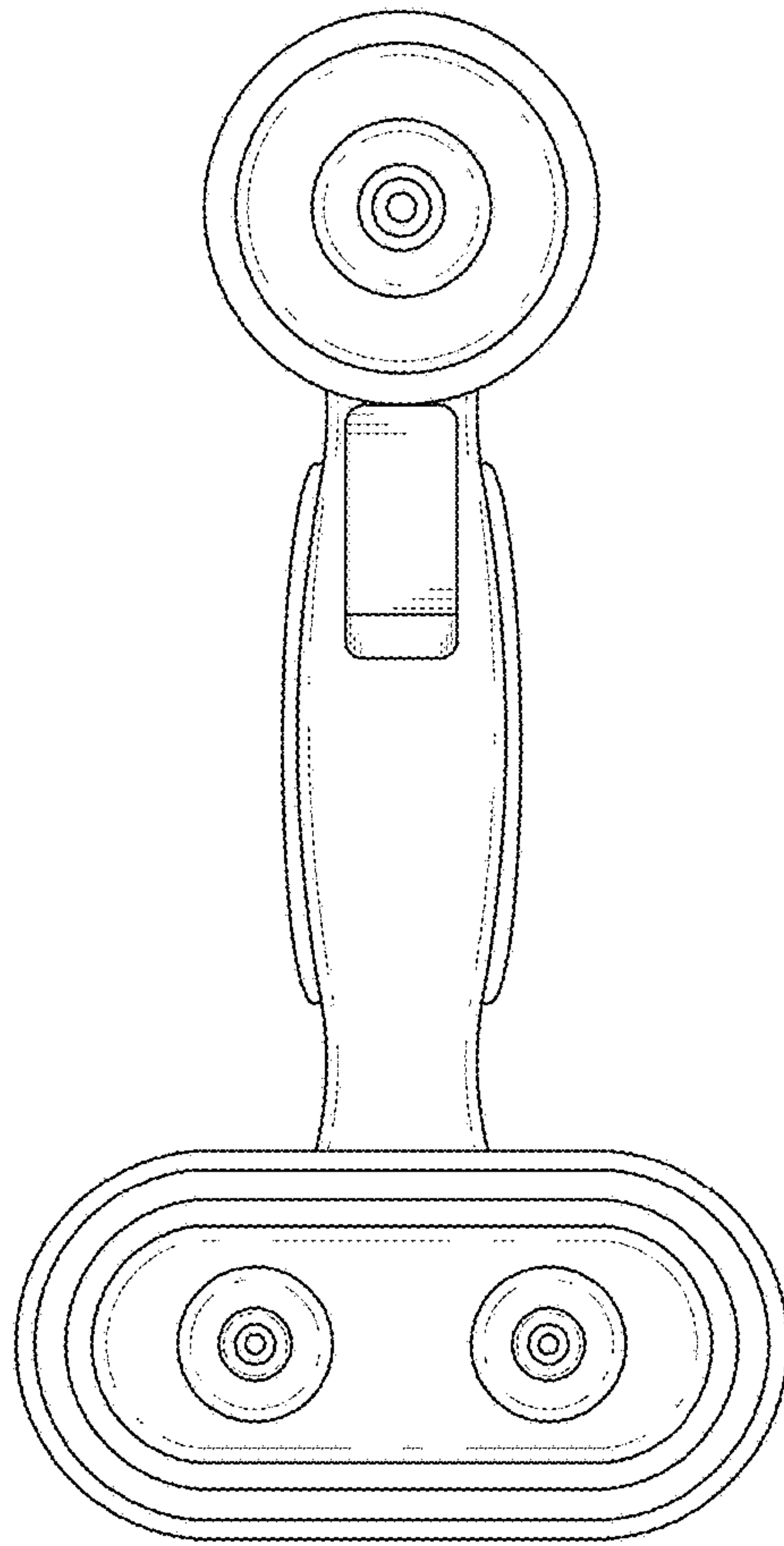


FIG. 4

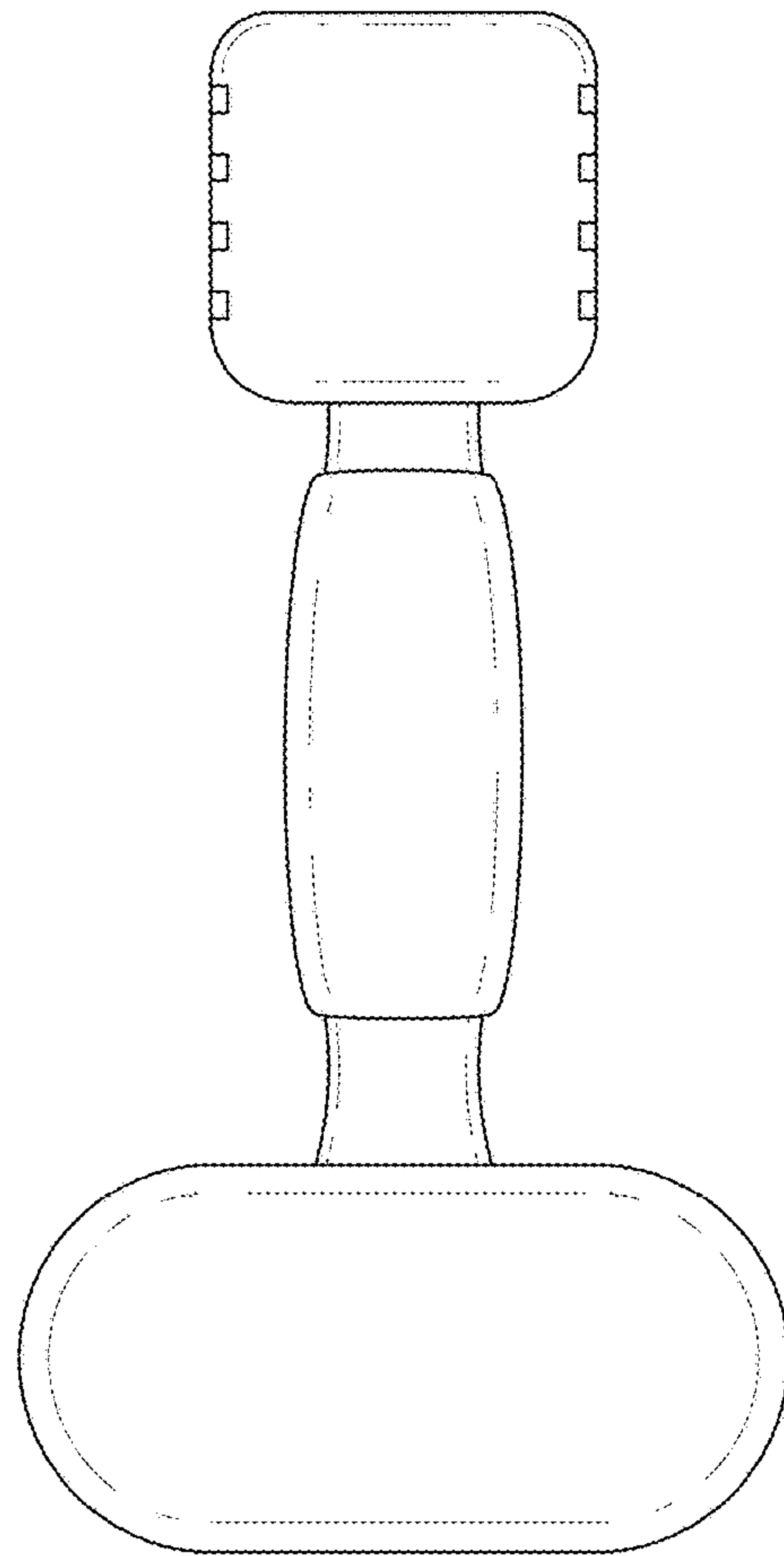


FIG. 5

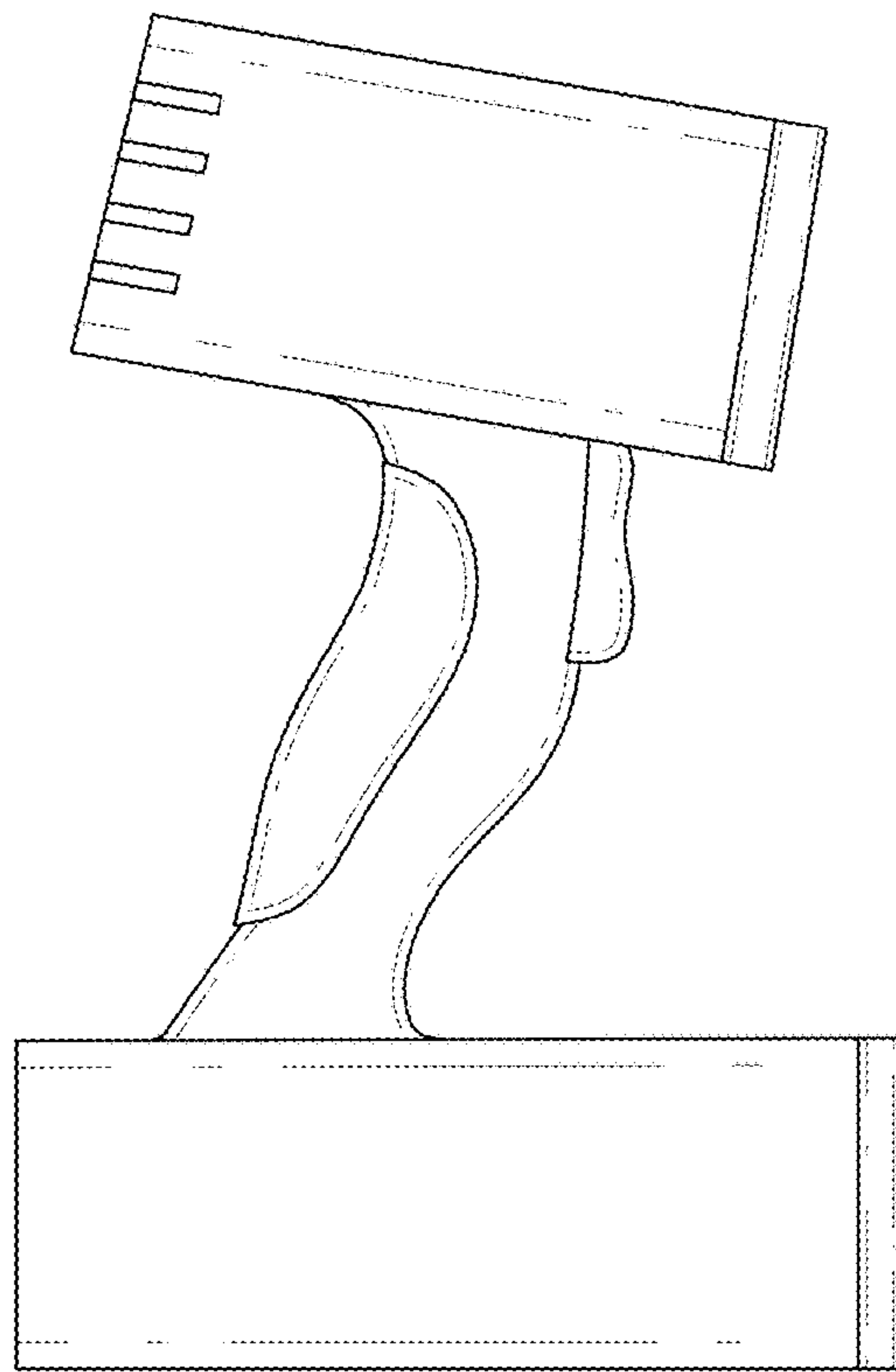


FIG. 6

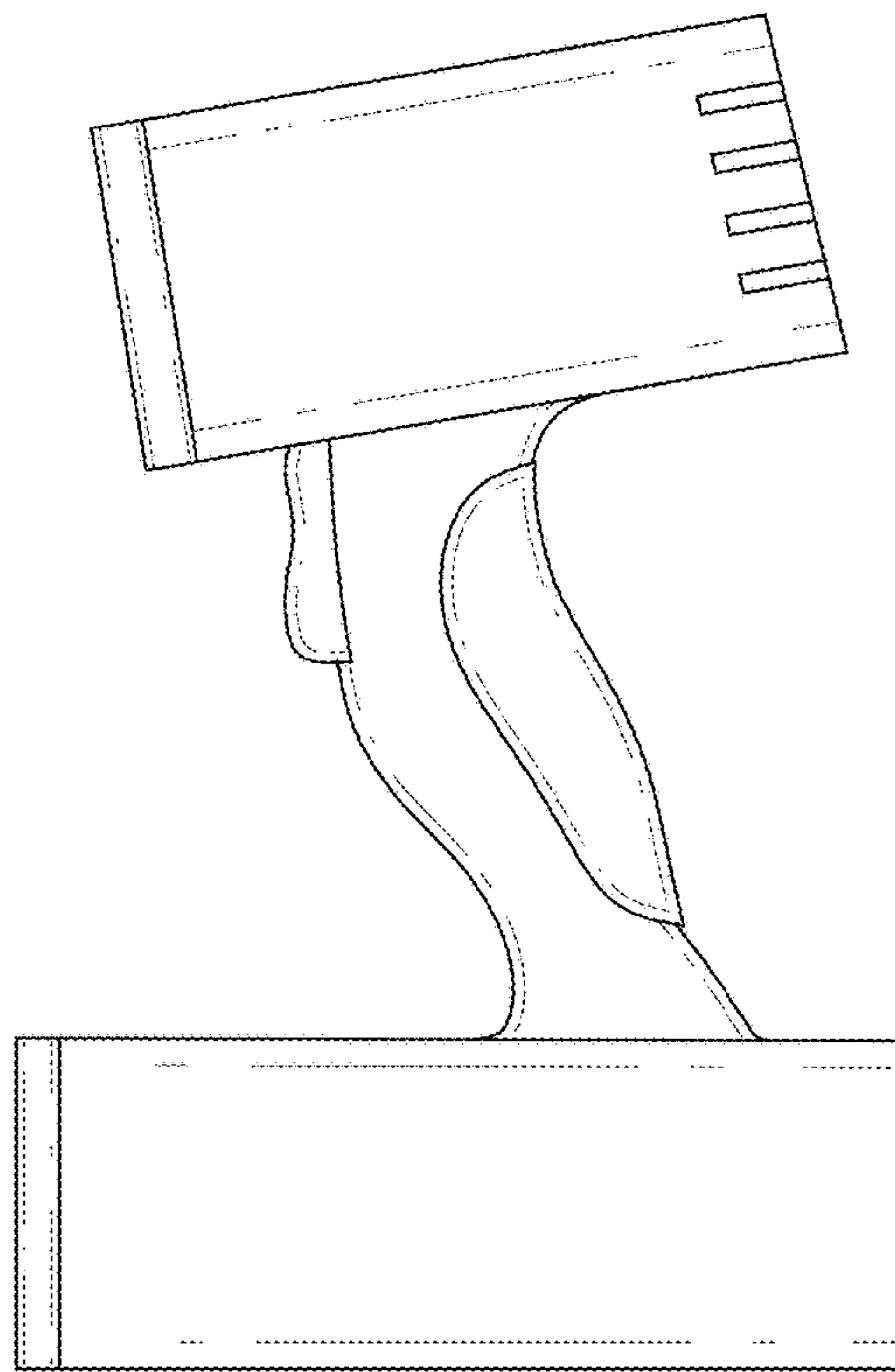


FIG. 7