



US00D848427S

(12) **United States Design Patent**
Hama et al.

(10) **Patent No.:** **US D848,427 S**

(45) **Date of Patent:** **** May 14, 2019**

(54) **SCANNER**

(71) Applicant: **SEIKO EPSON CORPORATION,**
Tokyo (JP)

(72) Inventors: **Yoriko Hama,** Chino (JP); **Mugio**
Kawasaki, Suwa (JP); **Takaho**
Nagumo, Siojiri (JP); **Hidenori**
Harada, Kitakyushu (JP)

(73) Assignee: **SEIKO EPSON CORPORATION,**
Tokyo (JP)

(**) Term: **15 Years**

(21) Appl. No.: **29/633,064**

(22) Filed: **Jan. 12, 2018**

(30) **Foreign Application Priority Data**

Sep. 19, 2017 (JP) 2017-020342

(51) **LOC (11) Cl.** **14-02**

(52) **U.S. Cl.**
USPC **D14/422**

(58) **Field of Classification Search**

USPC D14/421-425; D18/40, 36-39, 41,
D18/44-56; 235/462, 455, 470, 462.43,
235/482, 483; 358/474, 486, 488, 496,
358/498, 452, 449, 451, 453.1, 1.13;
318/685, 696; 355/81, 75; 399/405, 367,
399/379, 380; 382/217; 715/209, 222,
715/226, 274; 400/613, 613.1-613.4,
400/690.1-690.4, 691-694

CPC H04N 1/00; H04N 1/12; H04N 1/00013;
H04N 1/00015; H04N 1/00018; H04N
1/00026; H04N 1/00557; H04N 1/00564;
H04N 1/00567; H04N 1/0057; H04N
1/00572; H04N 1/00586; H04N 1/00588;
H04N 1/00591; H04N 1/00594; H04N
1/00596; H04N 1/00604; H04N 1/00519;
H04N 1/00559; H04N 1/1013; H04N
1/10; H04N 1/00551; H04N 1/00278;

H04N 2201/0456; H04N 2201/0446;
H04N 2201/00; H04N 2201/0094; H04N
1/00525; G03G 15/0142; G03G 15/605;
G03G 15/602; B65H 5/26; B65H 5/30;
B65H 7/00; B65H 2402/515; B65H
2402/31; B65H 2511/20; B65H 2511/414;
B65H 2511/00194; B65H 2511/00198;
B65H

(Continued)

(56) **References Cited**

U.S. PATENT DOCUMENTS

D258,959 S * 4/1981 Clayton D18/54
5,017,033 A * 5/1991 Hermann B41J 11/54
400/691

(Continued)

FOREIGN PATENT DOCUMENTS

JP 1569082 S 5/2017

Primary Examiner — Susan Moon Lee

(57) **CLAIM**

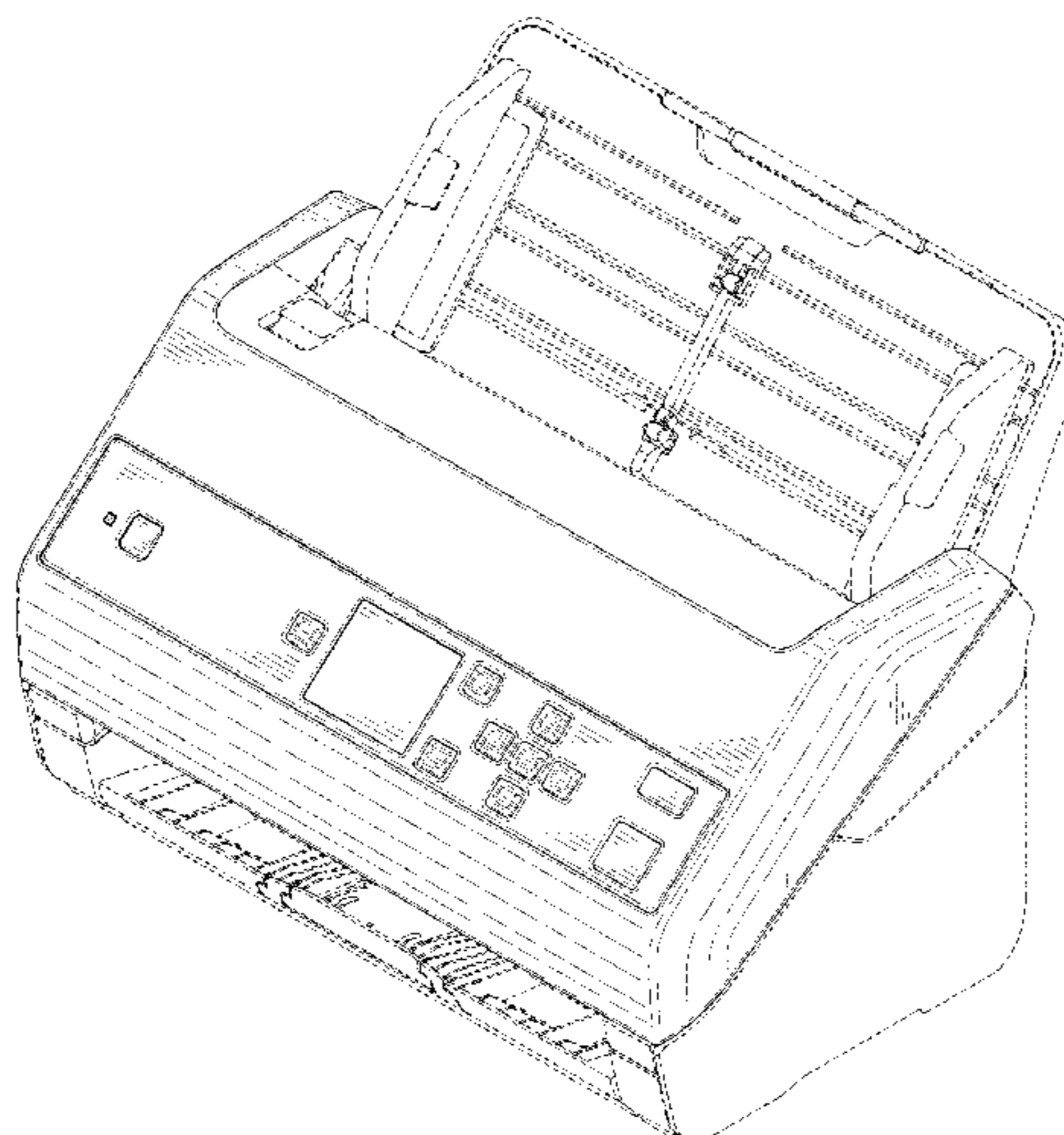
The ornamental design for a scanner, as shown and described.

DESCRIPTION

FIG. 1 is a front, top and right side perspective view of a scanner showing our new design;
FIG. 2 is a rear, top, and left side perspective view thereof;
FIG. 3 is a front view thereof;
FIG. 4 is a rear view thereof;
FIG. 5 is a top plan view thereof;
FIG. 6 is a bottom plan view thereof;
FIG. 7 is a right side view thereof; and,
FIG. 8 is a left side view thereof.

The broken lines depict unclaimed features of the scanner, shown for purposes of illustration, and form no part of the design claim.

1 Claim, 8 Drawing Sheets



(58) **Field of Classification Search**

CPC 2511/00202; B65H 2511/00206; B65H
2301/00; B65H 2220/04; B65H 3/5261;
B65H 2513/42

See application file for complete search history.

(56) **References Cited**

U.S. PATENT DOCUMENTS

5,187,374 A * 2/1993 Rogers B41J 13/32
250/205
D370,471 S * 6/1996 Au D14/422
6,040,919 A * 3/2000 Iwata H04N 1/00525
358/400
D422,570 S * 4/2000 Kobayashi D14/509
D475,052 S * 5/2003 Chujou D14/422
D479,555 S * 9/2003 Sakai D18/50
D518,826 S * 4/2006 Chujou D14/422
D549,705 S * 8/2007 Sugitani D14/422
D609,711 S * 2/2010 Kuroda D14/422
D610,146 S * 2/2010 Kuroda D14/422
D610,147 S * 2/2010 Kuroda D14/422
D610,148 S * 2/2010 Kuroda D14/422
D610,149 S * 2/2010 Kuroda D14/422
D610,150 S * 2/2010 Kuroda D14/422
D610,151 S * 2/2010 Kuroda D14/422
D610,153 S * 2/2010 Kuroda D14/422
D610,154 S * 2/2010 Kuroda D14/422
D610,155 S * 2/2010 Kuroda D14/422
D616,889 S * 6/2010 Kuroda D14/422
D619,588 S * 7/2010 Kuroda D14/422
D619,589 S * 7/2010 Kuroda D14/422
D631,050 S * 1/2011 Iliffe-Moon D14/422
D632,295 S * 2/2011 Kuroda D14/422
D638,545 S * 5/2011 Okawa D24/186
D642,179 S * 7/2011 Kuroda D14/422
D669,080 S * 10/2012 Iwai D14/422
D669,081 S * 10/2012 Iwai D14/422
D669,526 S * 10/2012 Sakurai D18/50
D687,436 S * 8/2013 Penke D14/422
D689,866 S * 9/2013 Anzai D14/422
D696,339 S * 12/2013 Hasui D18/34.3
D700,908 S * 3/2014 Taniho D14/422
8,699,097 B2 * 4/2014 Kozakura H04N 1/00347
358/474
D713,845 S * 9/2014 Taniho D14/422
D716,305 S * 10/2014 Tani D14/422
D719,168 S * 12/2014 Tani D14/422
D723,562 S * 3/2015 Inada D14/422
D758,369 S * 6/2016 Kuroda D14/422
D766,246 S * 9/2016 Inada D14/422
D776,118 S * 1/2017 Ishida D14/422
D783,023 S * 4/2017 Kuroda D14/422
D788,110 S * 5/2017 Kuroda D14/422

D794,640 S * 8/2017 Shigeno D14/422
D797,744 S * 9/2017 Tan D14/422
D813,871 S * 3/2018 Egami D14/422
2001/0015829 A1 * 8/2001 Veigl H04N 1/00538
358/474
2007/0188818 A1 * 8/2007 Westcott H04N 1/00525
358/296
2007/0217799 A1 * 9/2007 Otsubo G03G 21/20
399/44
2008/0001343 A1 * 1/2008 Kato H04N 1/00525
271/3.14
2008/0252922 A1 * 10/2008 Ikegami H04L 63/083
358/1.15
2009/0230611 A1 * 9/2009 Ngai H04N 1/00525
271/145
2010/0053701 A1 * 3/2010 Yoshida H04N 1/00525
358/474
2010/0060948 A1 * 3/2010 Yoshida H04N 1/00519
358/474
2010/0208977 A1 * 8/2010 Imae G06K 9/18
382/140
2012/0248687 A1 * 10/2012 Takahata B65H 3/063
271/253
2013/0056924 A1 * 3/2013 Mizuno B65H 1/00
271/162
2013/0057932 A1 * 3/2013 Mukai H04N 1/00533
358/498
2013/0134667 A1 * 5/2013 Nakayama B65H 5/06
271/275
2013/0135697 A1 * 5/2013 Ukai B65H 3/5238
358/498
2013/0163056 A1 * 6/2013 Hanayama H04N 1/00013
358/474
2013/0222867 A1 * 8/2013 Tomita H04N 1/00013
358/498
2014/0054849 A1 * 2/2014 Morikawa B65H 7/125
271/264
2014/0054850 A1 * 2/2014 Umi B65H 5/00
271/264
2014/0061998 A1 * 3/2014 Kasashima B65H 5/06
271/10.11
2014/0063573 A1 * 3/2014 Yonemura H04N 1/00602
358/498
2014/0077440 A1 * 3/2014 Umi B65H 3/0661
271/109
2017/0043968 A1 * 2/2017 Nagai B65H 1/266
2017/0267476 A1 * 9/2017 Miyagi H04N 1/00602
2017/0279991 A1 * 9/2017 Shiota B65H 3/06
2018/0007221 A1 * 1/2018 Mokuo H04N 1/00631
2018/0170695 A1 * 6/2018 Kitsuki B65H 3/66
2018/0176398 A1 * 6/2018 Harada B65H 29/70
2018/0179006 A1 * 6/2018 Kogi B65H 3/063
2018/0194579 A1 * 7/2018 Harada B65H 3/523

* cited by examiner

FIG.1

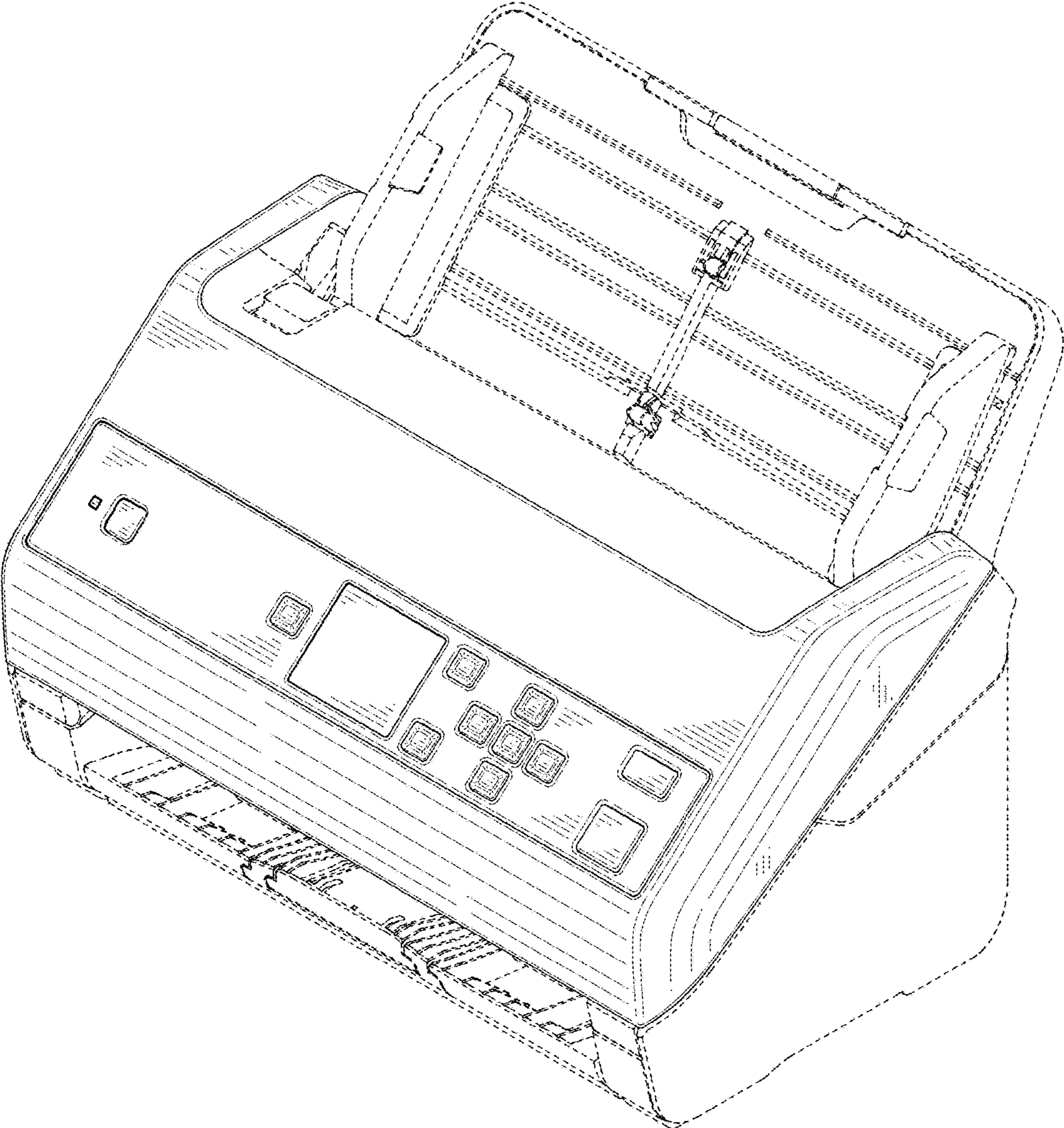


FIG.2

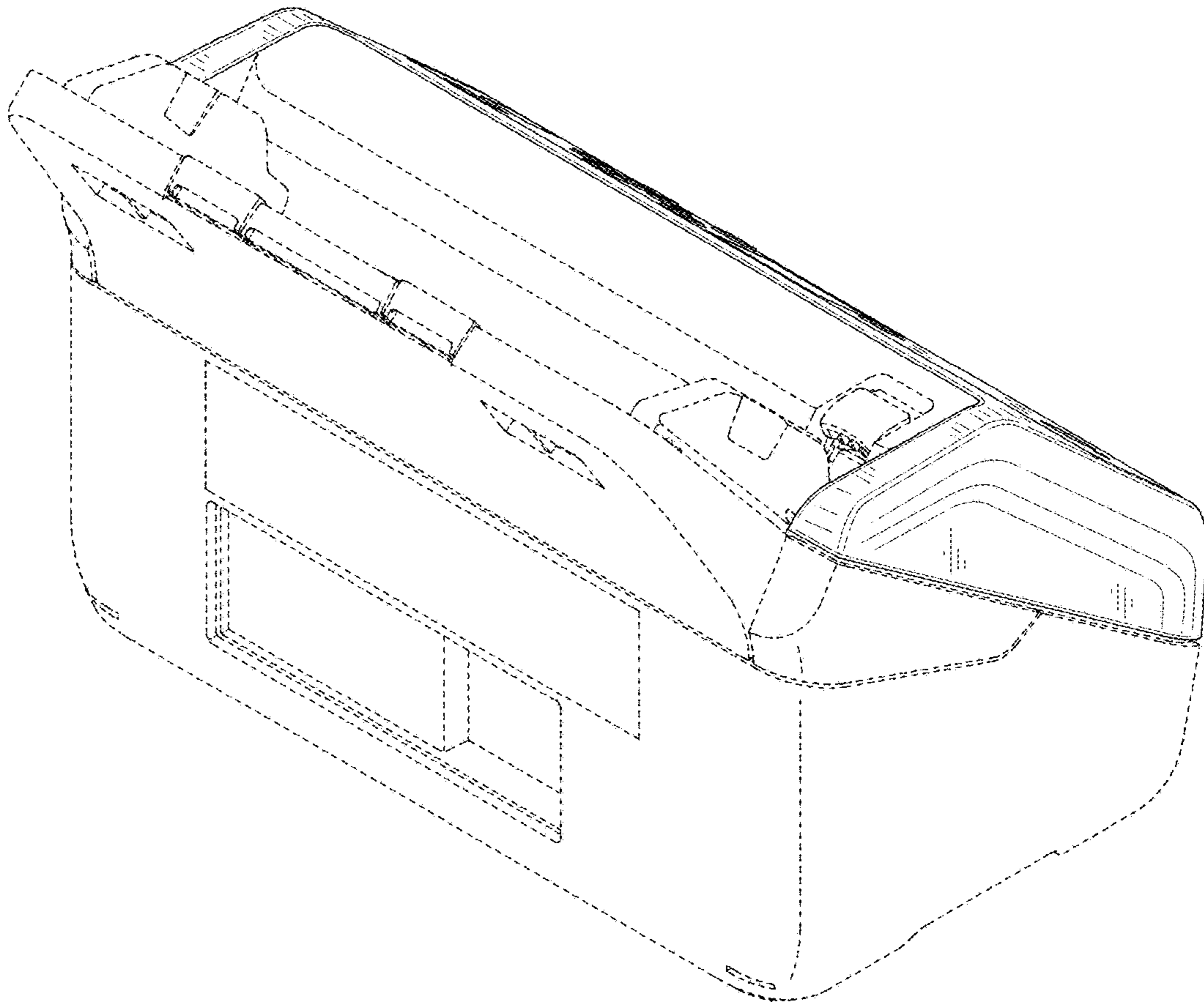


FIG.3

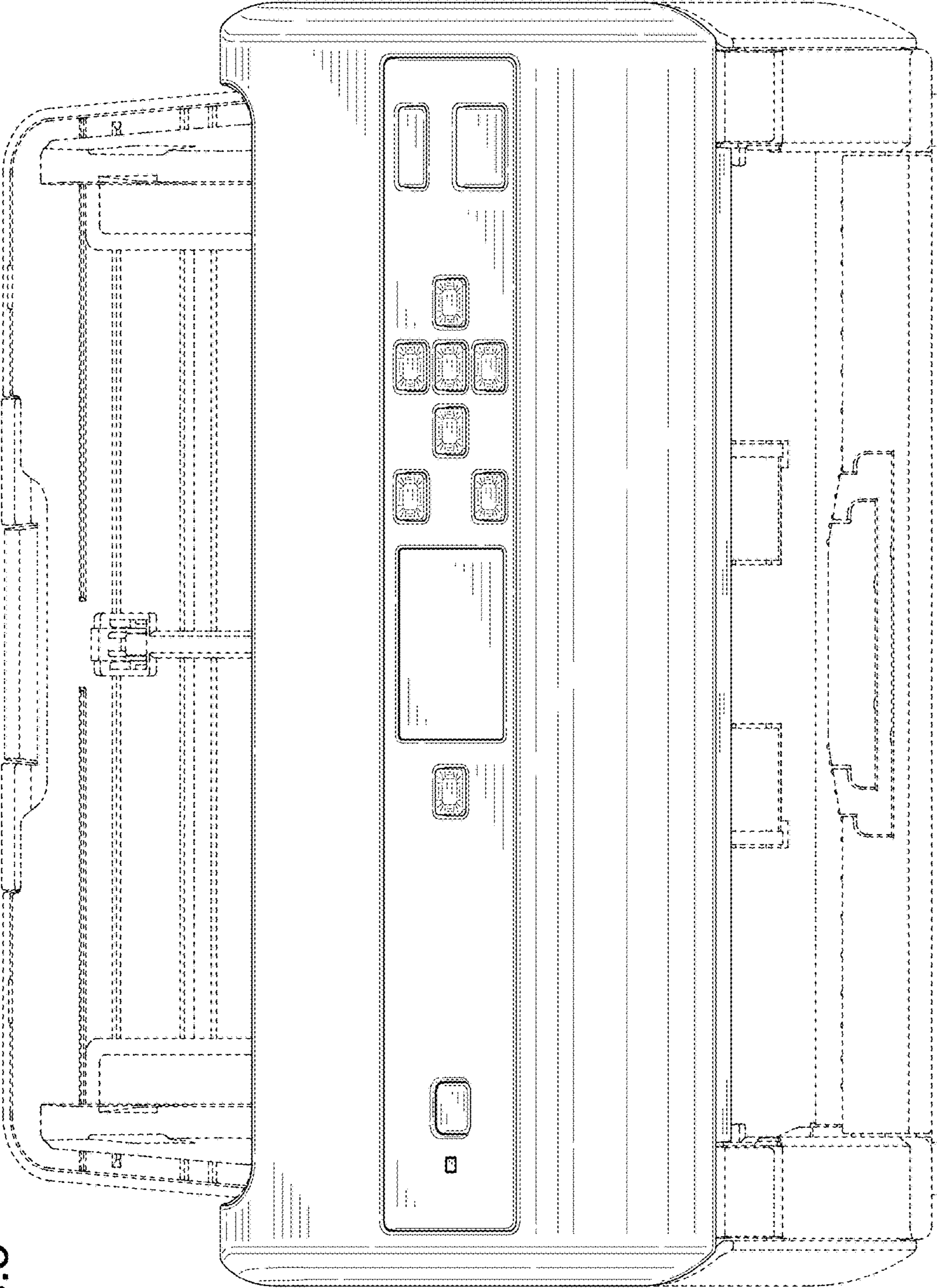


FIG.4

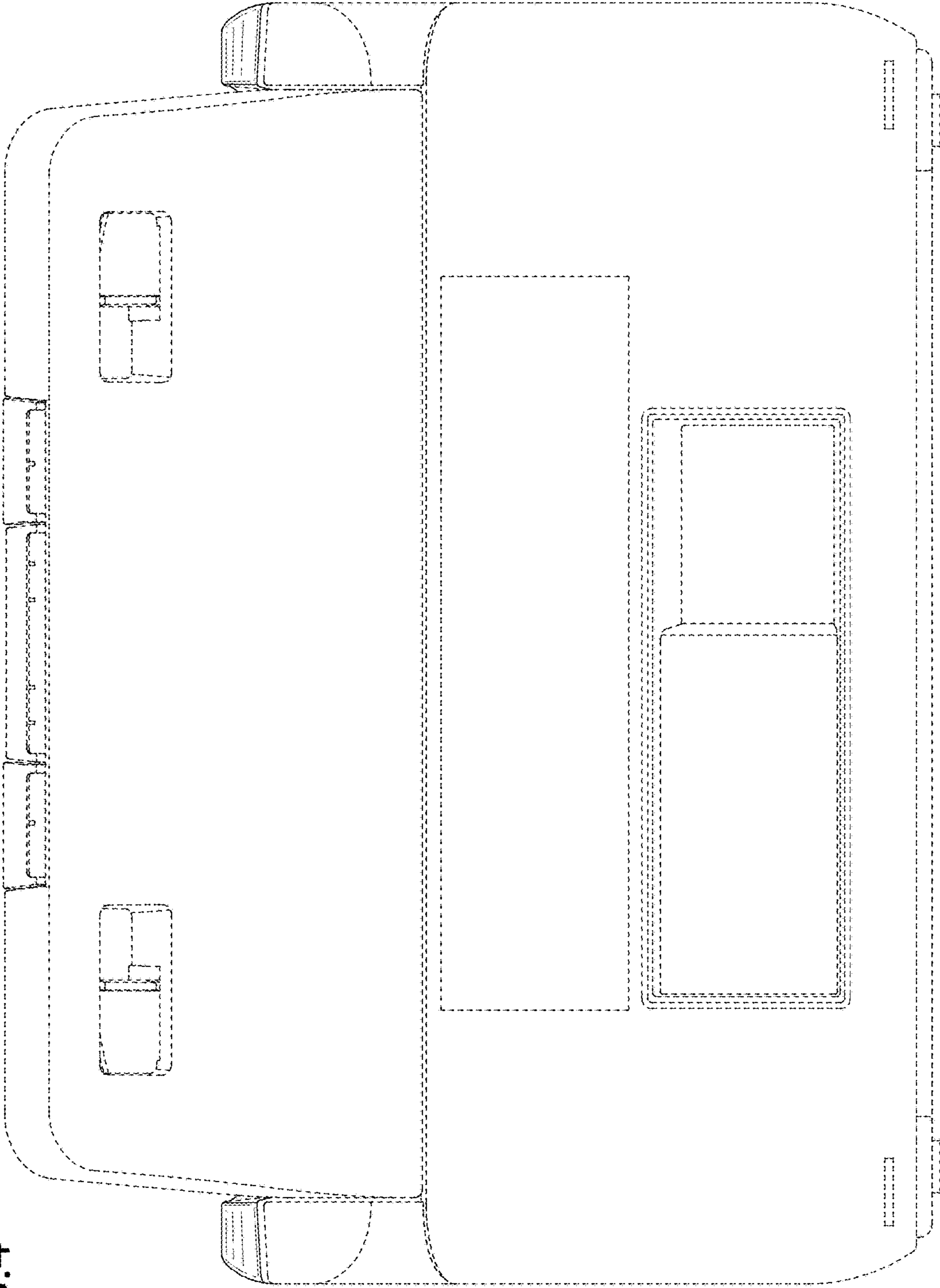


FIG.5

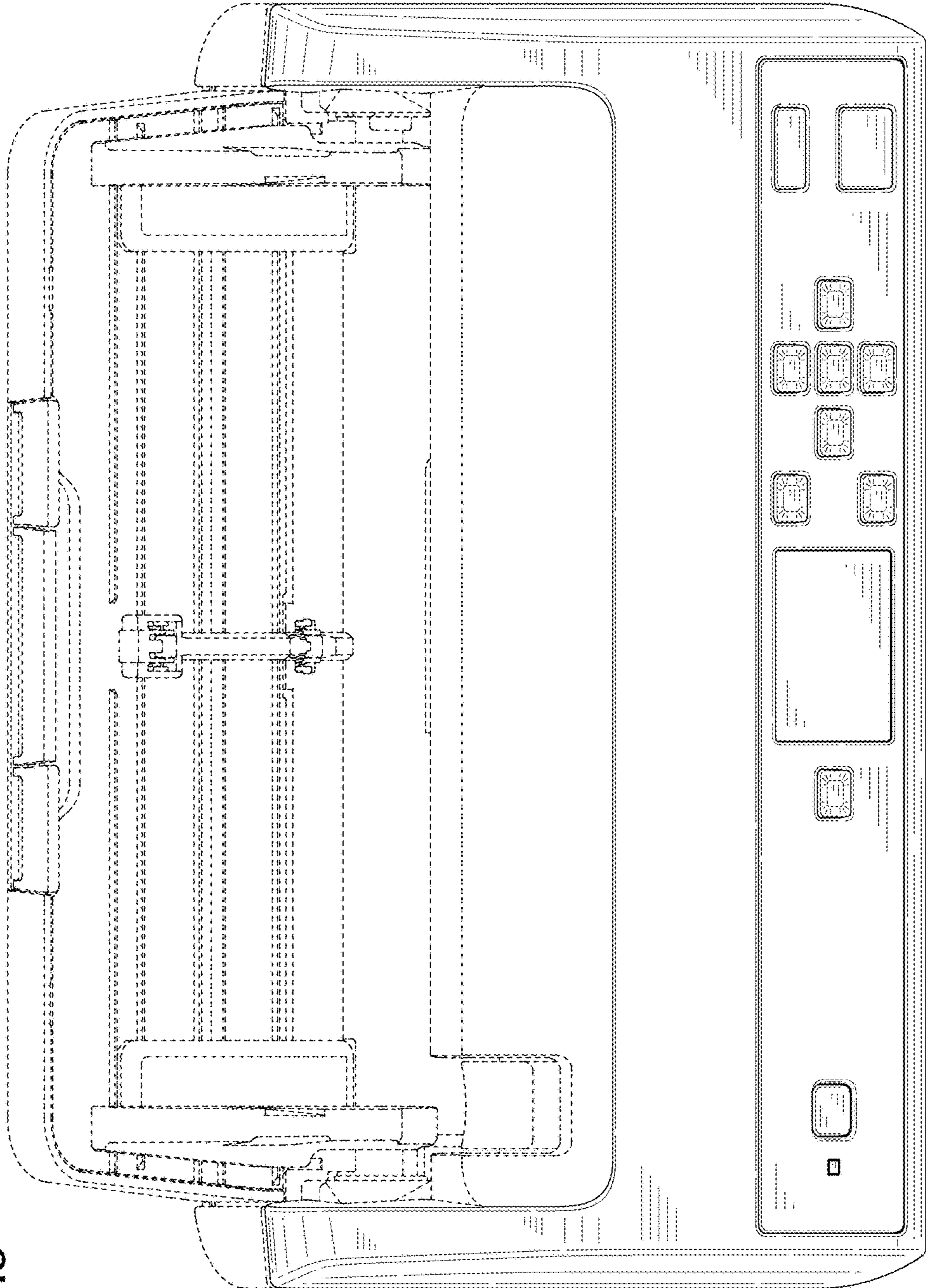


FIG.6

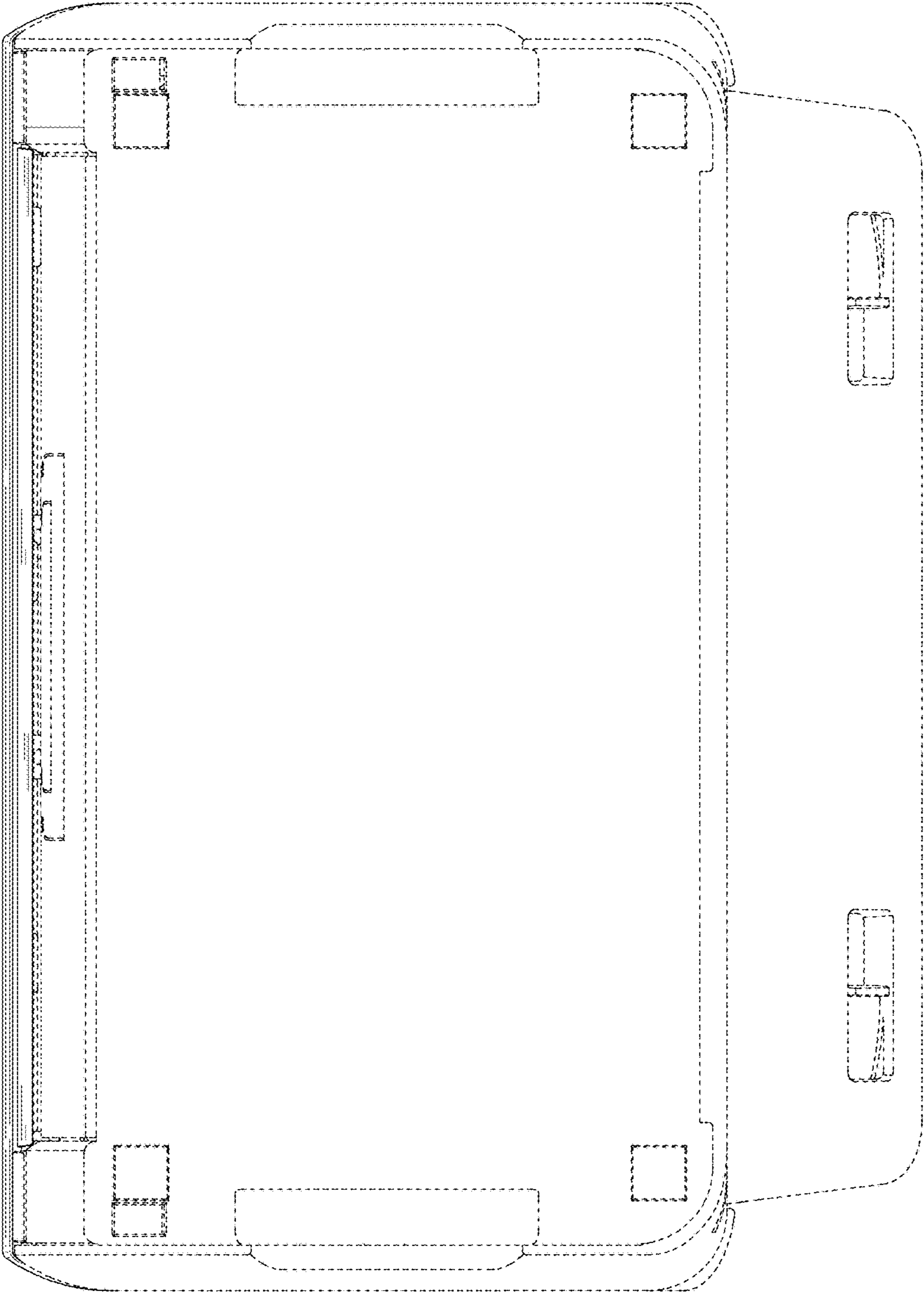


FIG.7

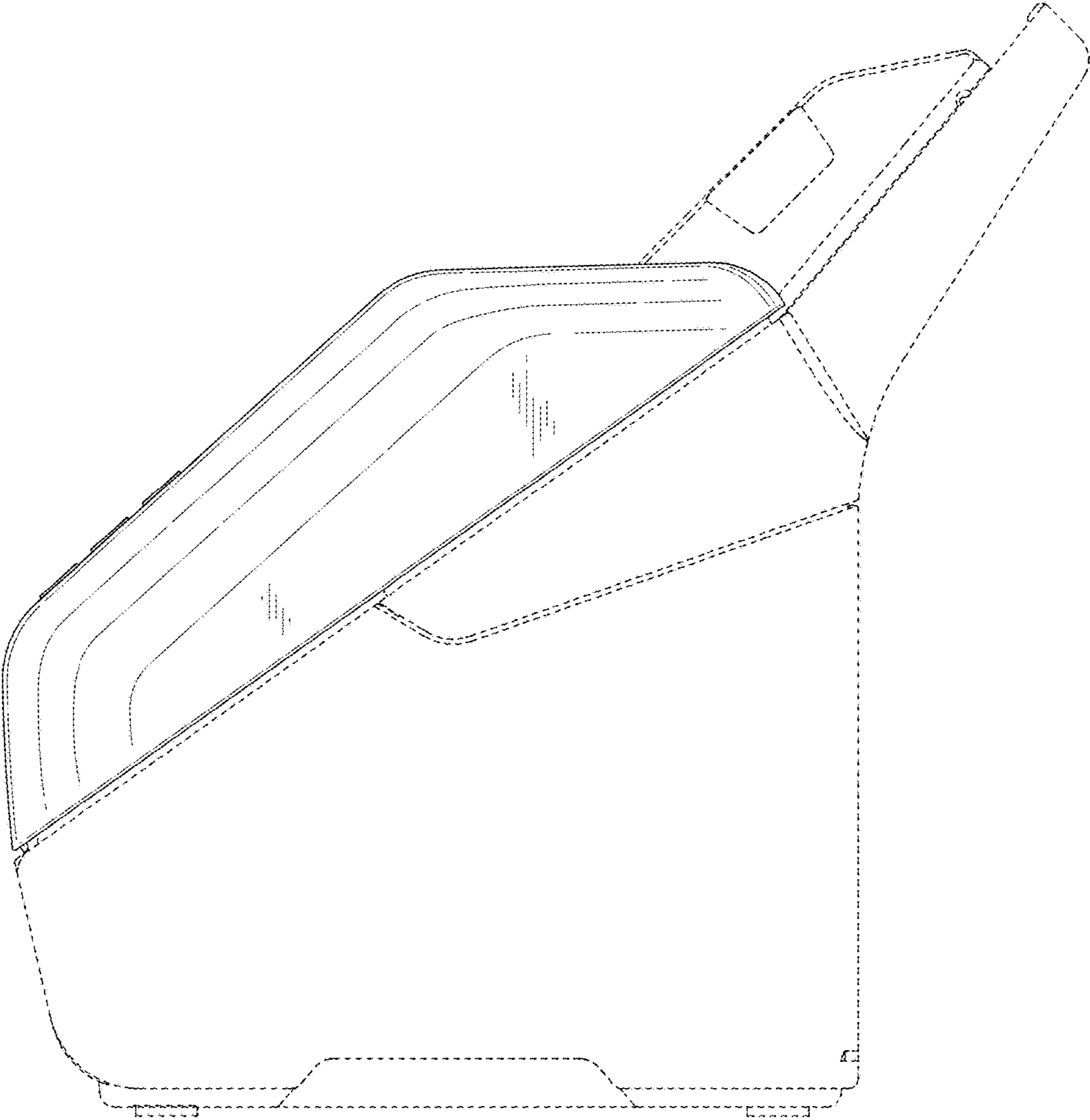


FIG.8

