



US00D848420S

(12) **United States Design Patent**
Boger et al.

(10) **Patent No.:** **US D848,420 S**

(45) **Date of Patent:** **** May 14, 2019**

(54) **HEAD-MOUNTED DISPLAY**

(71) Applicant: **RAZER (ASIA-PACIFIC) PTE. LTD.**,
Singapore (SG)

(72) Inventors: **Yuval S. Boger**, Baltimore, MD (US);
Yaron Kaufman, Olney, MD (US)

(73) Assignee: **RAZER (ASIA-PACIFIC) PTE. LTD.**,
Singapore (SG)

(**) Term: **15 Years**

(21) Appl. No.: **29/578,107**

(22) Filed: **Sep. 19, 2016**

(51) **LOC (11) Cl.** **14-02**

(52) **U.S. Cl.**
USPC **D14/372**

(58) **Field of Classification Search**

USPC D14/372, 496, 432, 371, 125, 126, 129,
D14/299; D16/300-342; 351/158, 153,
351/144; 345/7-9, 905; 455/344;
348/115, 53, 121, 739
CPC G02B 27/017; G02B 27/0158; G02B
27/0161; G02B 27/0181; G02B 27/0185;
G02B 27/0189

See application file for complete search history.

(56) **References Cited**

U.S. PATENT DOCUMENTS

D785,619 S * 5/2017 Su D14/372
9,706,286 B1 * 7/2017 Patel H04R 1/105
D798,298 S * 9/2017 Haber D14/372
D800,117 S * 10/2017 Yee D14/372
D800,726 S * 10/2017 Su D14/372
9,776,084 B2 * 10/2017 Allin G06F 3/0325
9,810,911 B2 * 11/2017 Miller F16M 13/00
9,832,561 B2 * 11/2017 Morris H04R 1/1066

9,837,043 B1 * 12/2017 Patel G09G 5/006
D807,354 S * 1/2018 Yee D14/372
D807,882 S * 1/2018 Gribetz D14/372
9,857,596 B2 * 1/2018 Drinkwater G02B 27/0176
D810,081 S * 2/2018 Lin D14/372
D810,743 S * 2/2018 Yee D14/372
D812,612 S * 3/2018 Gribetz D14/372
D822,659 S * 7/2018 Spio D14/372
D825,560 S * 8/2018 Gribetz D14/372
D827,642 S * 9/2018 Liu D14/372

* cited by examiner

Primary Examiner — Austin Murphy

(74) *Attorney, Agent, or Firm* — Polsinelli PC

(57) **CLAIM**

The ornamental design for a head-mounted display, as shown and described in FIGS. 1-8.

DESCRIPTION

FIG. 1 is a front left perspective view of a support structure of a head-mounted display, according to an embodiment.

FIG. 2 is a rear right perspective view of the support structure according to the embodiment of FIG. 1.

FIG. 3 is a front view of the support structure according to the embodiment of FIG. 1.

FIG. 4 is a rear view of the support structure according to the embodiment of FIG. 1.

FIG. 5 is a left view of the support structure according to the embodiment of FIG. 1.

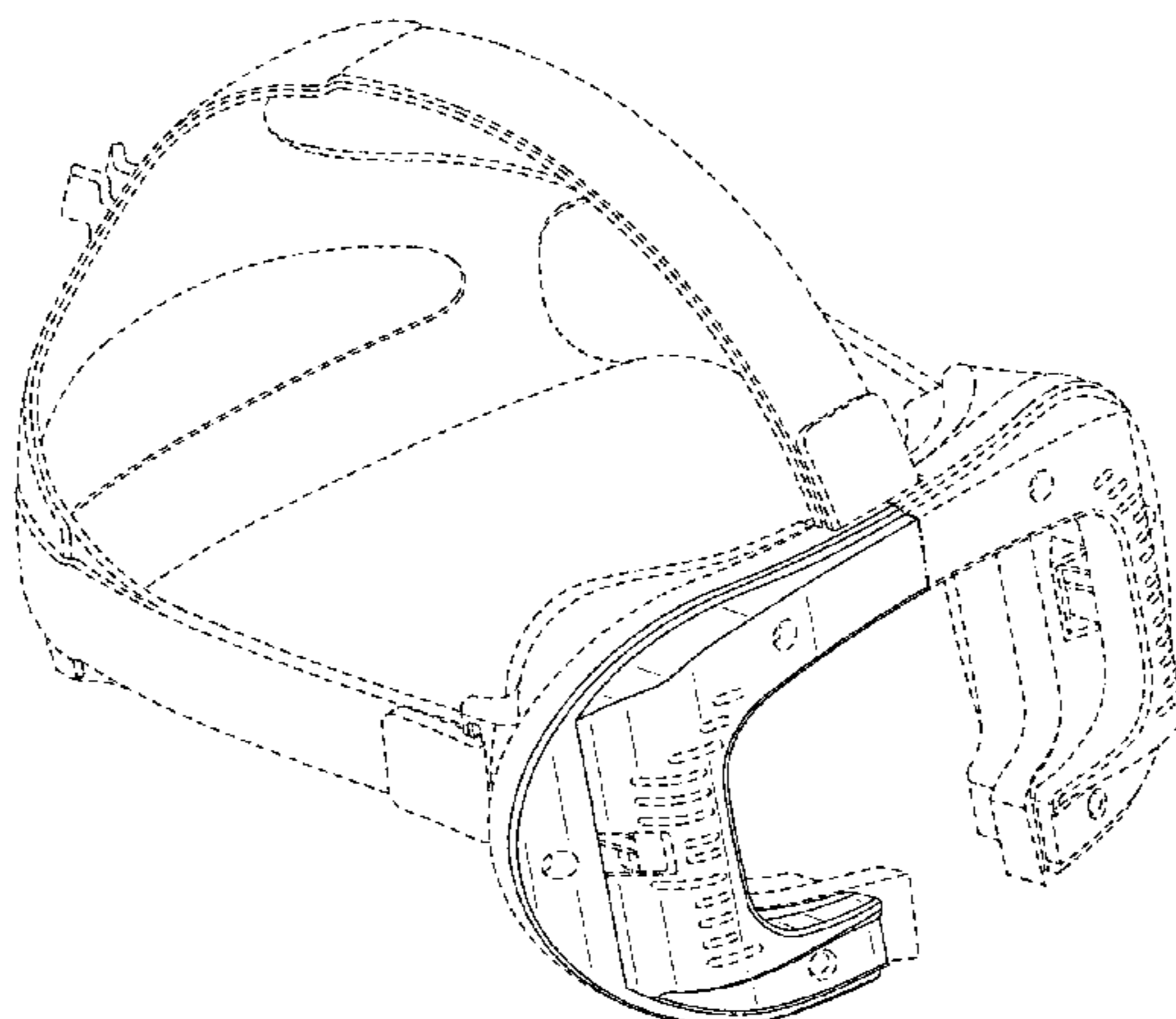
FIG. 6 is a right view of the support structure according to the embodiment of FIG. 1.

FIG. 7 is a top view of the support structure according to the embodiment of FIG. 1; and,

FIG. 8 is a bottom view of the support structure according to the embodiment of FIG. 1.

In the drawings, the dashed lines depict portions of the article that form no part of the claimed design.

1 Claim, 8 Drawing Sheets



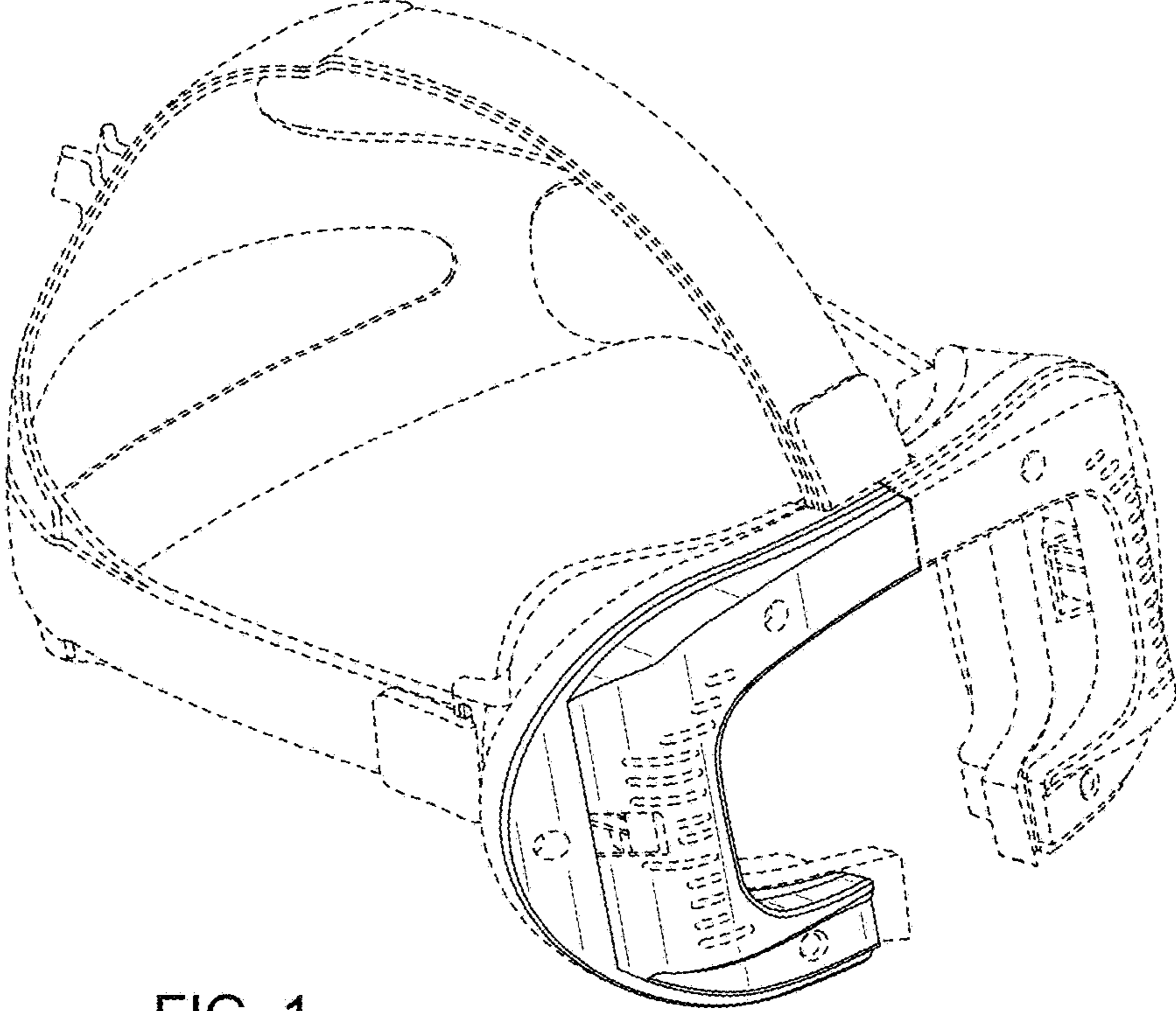


FIG. 1

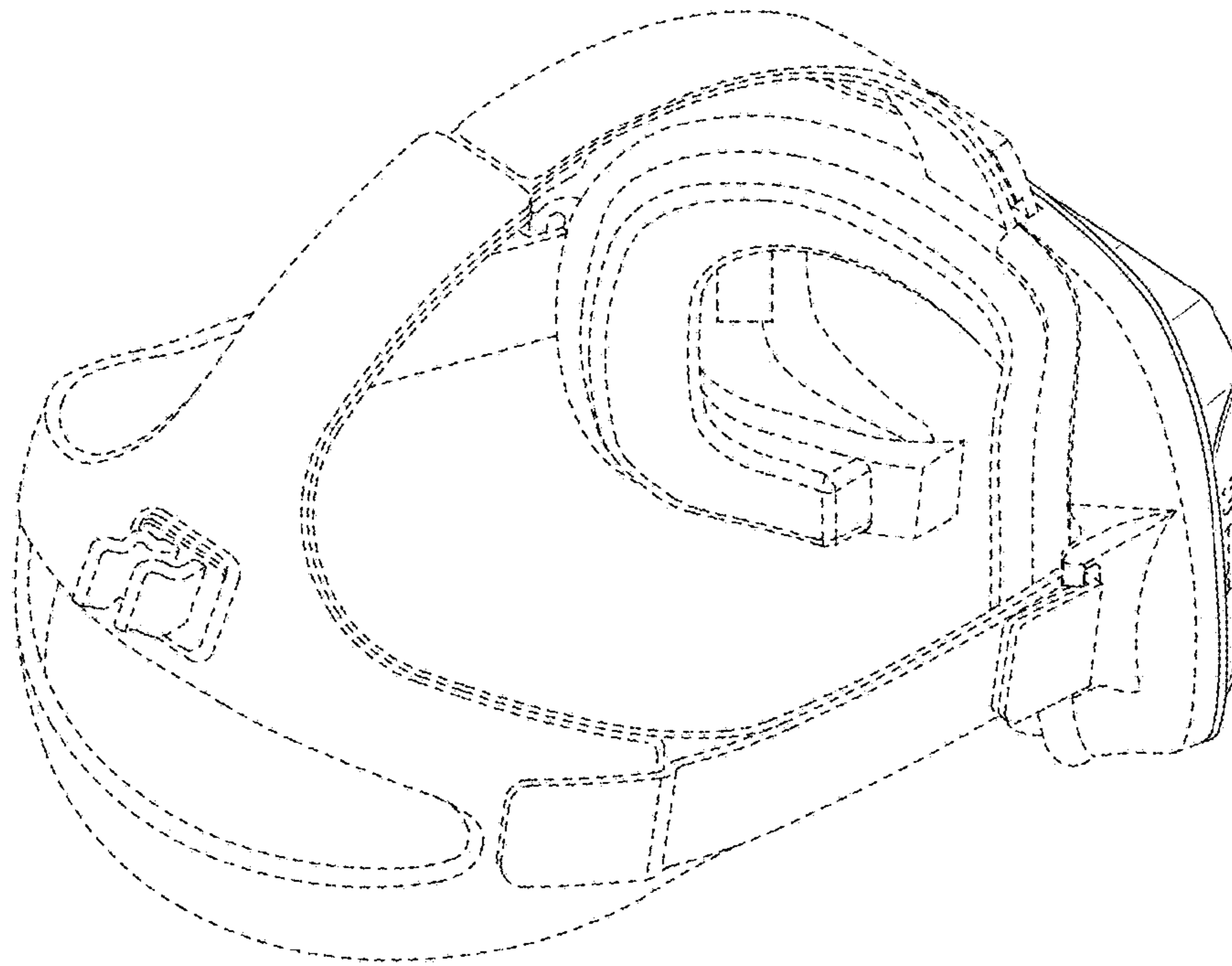


FIG. 2

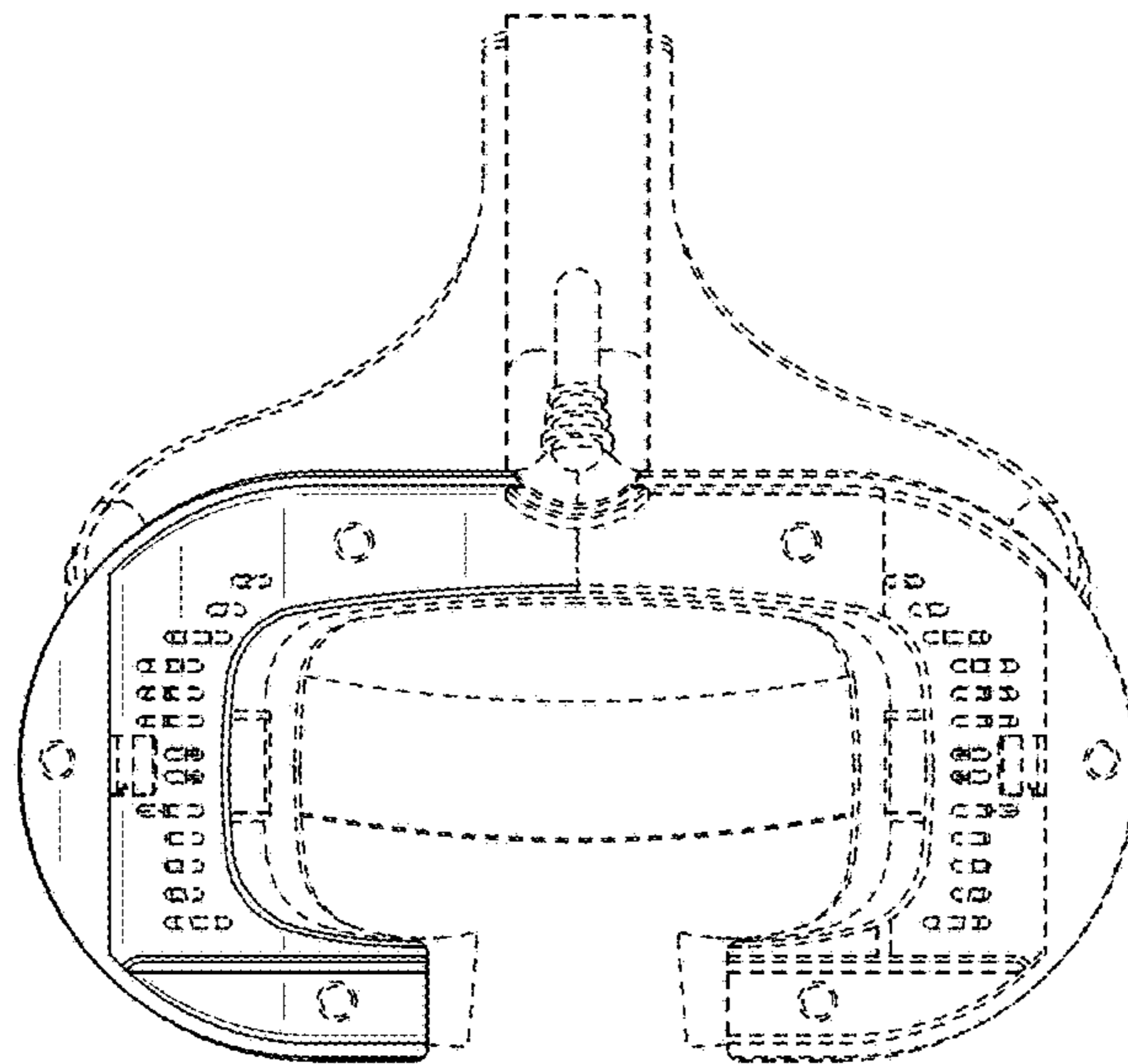


FIG. 3

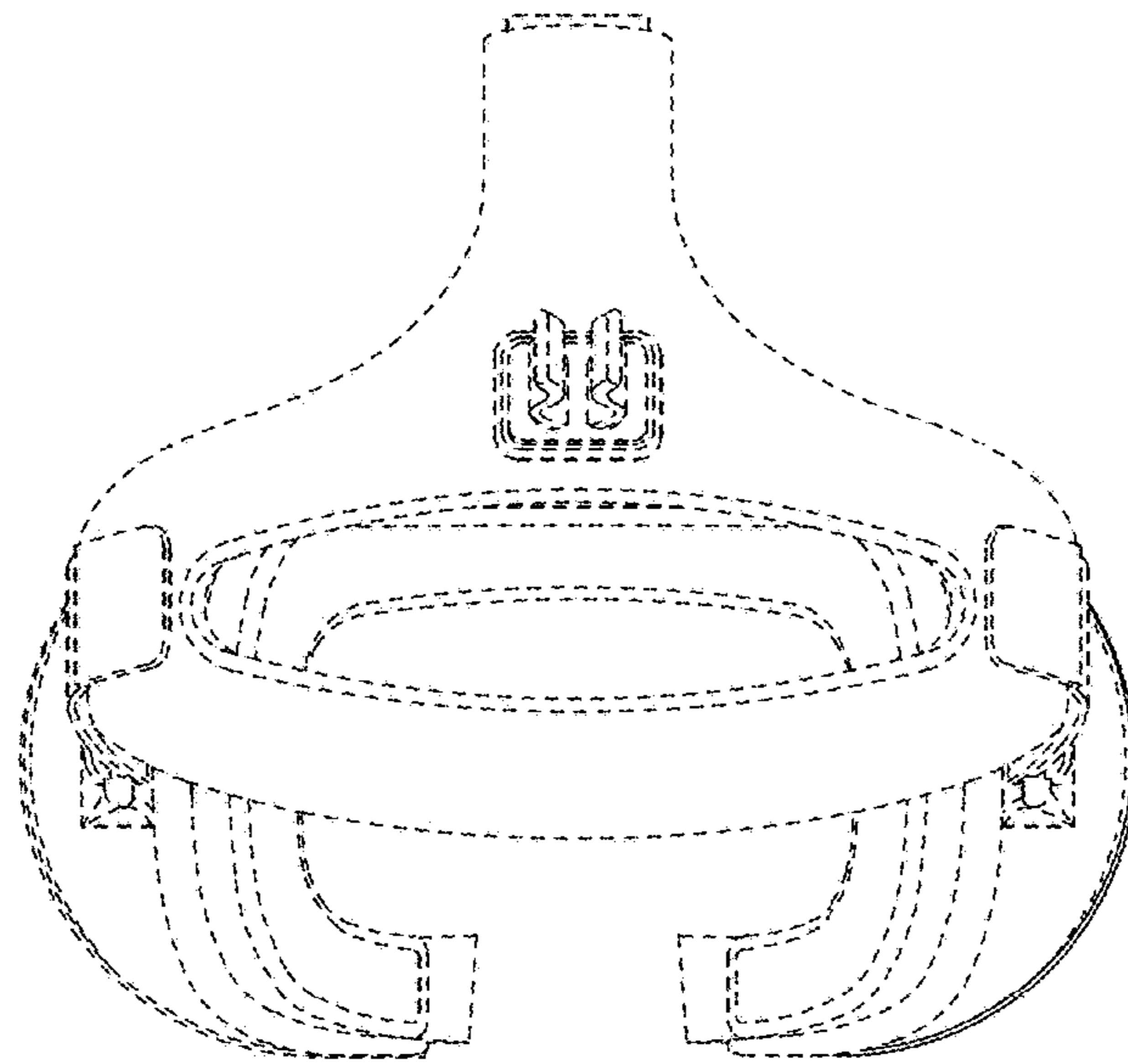


FIG. 4

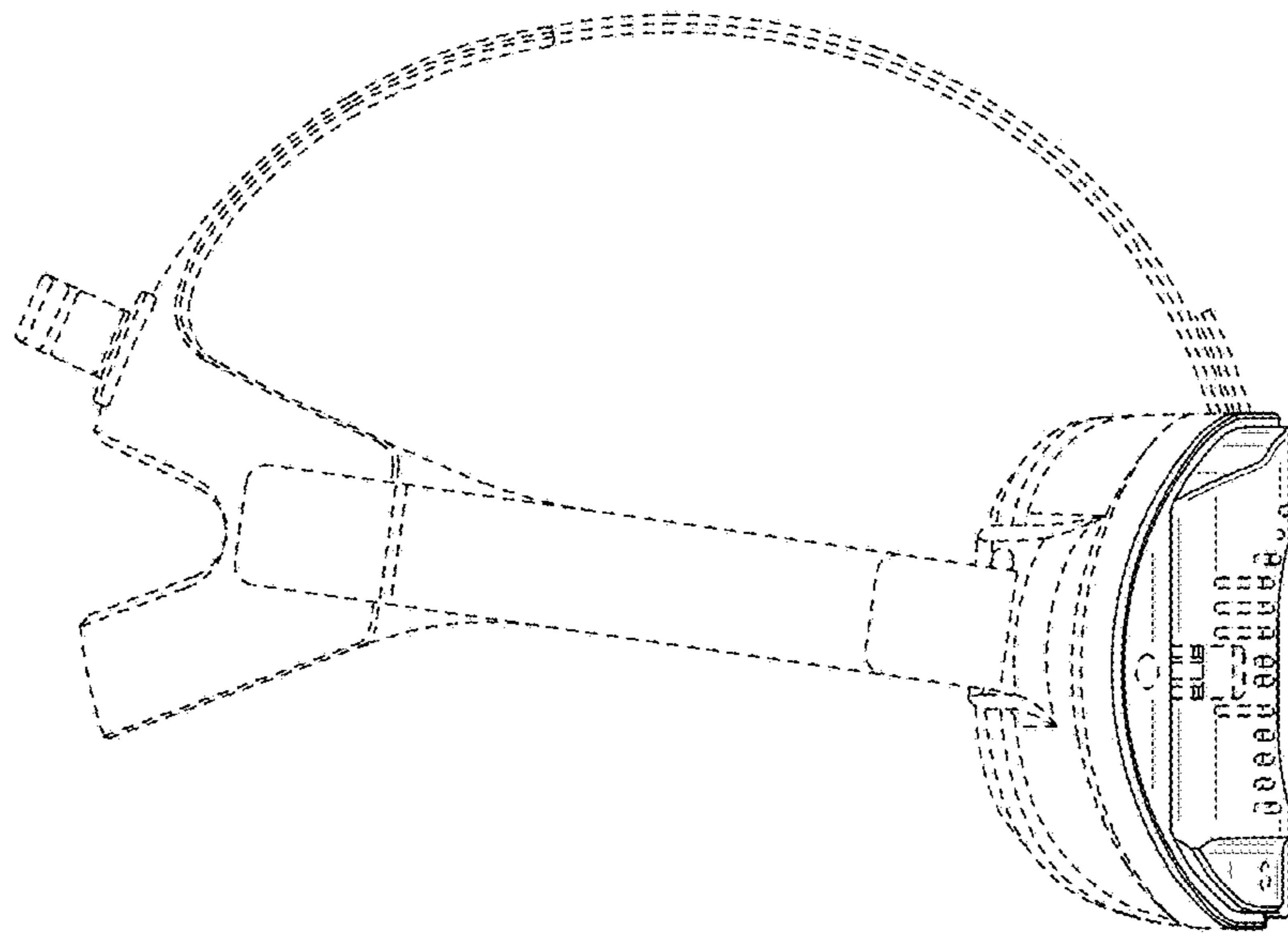


FIG. 5

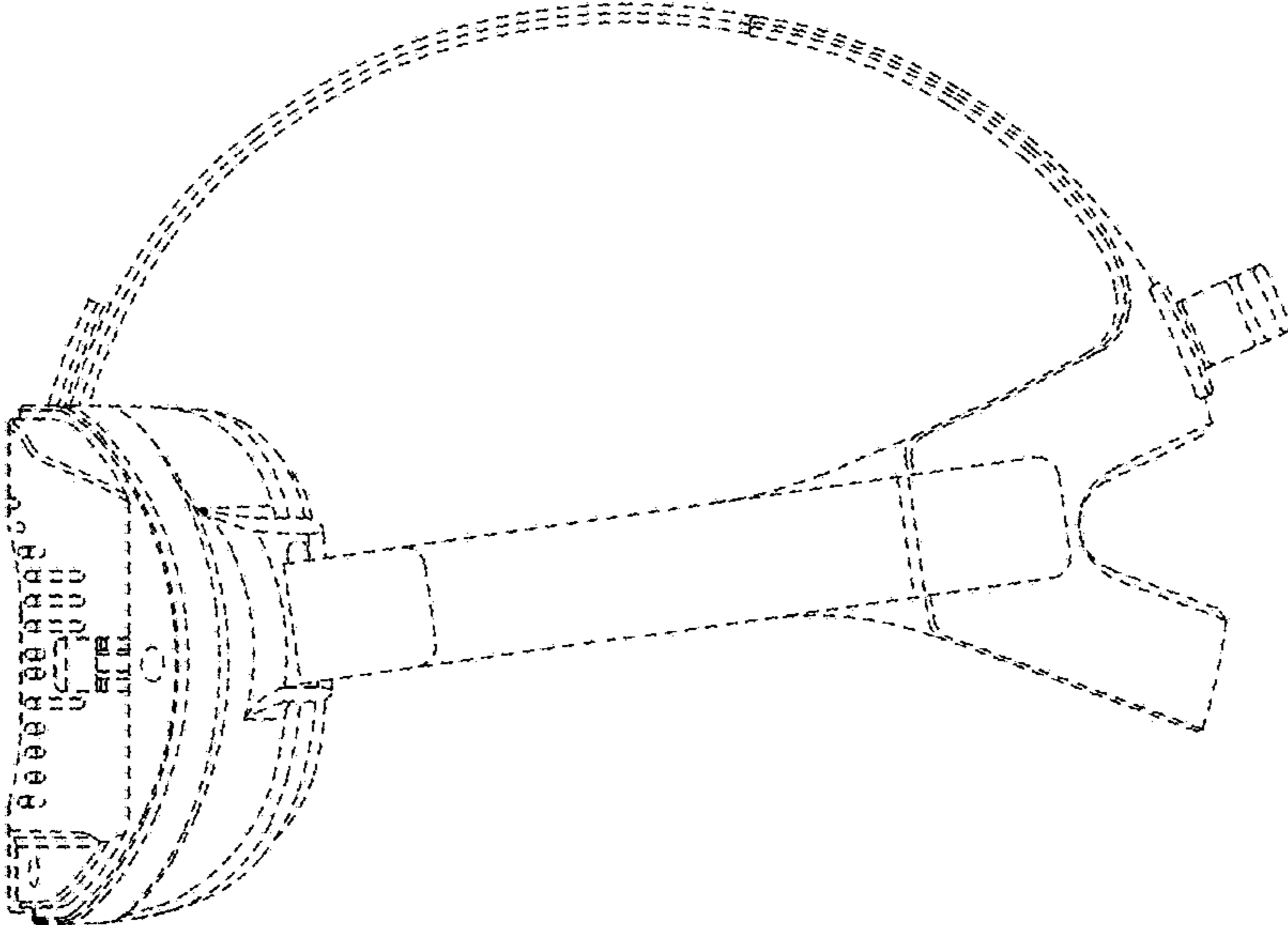


FIG. 6

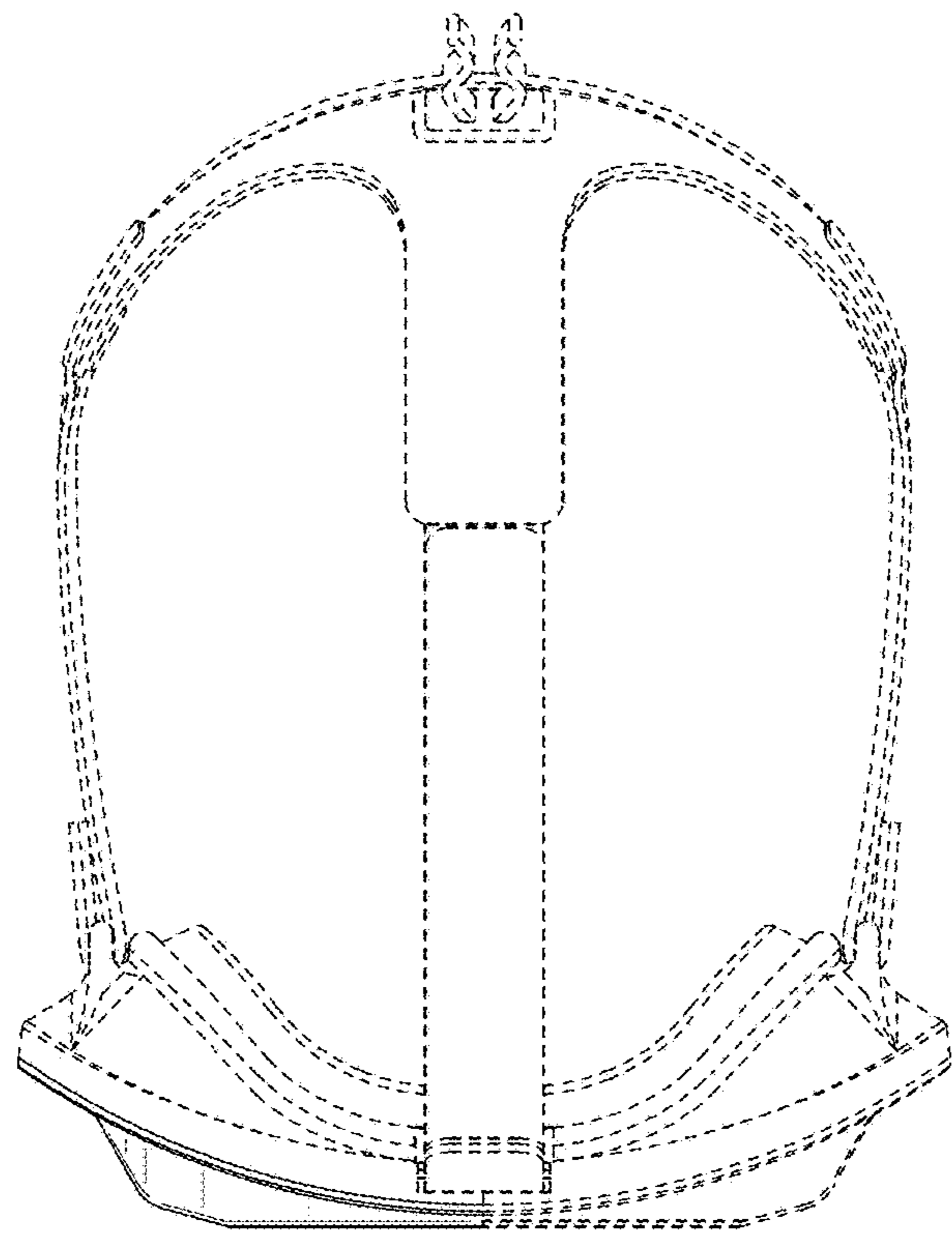


FIG. 7

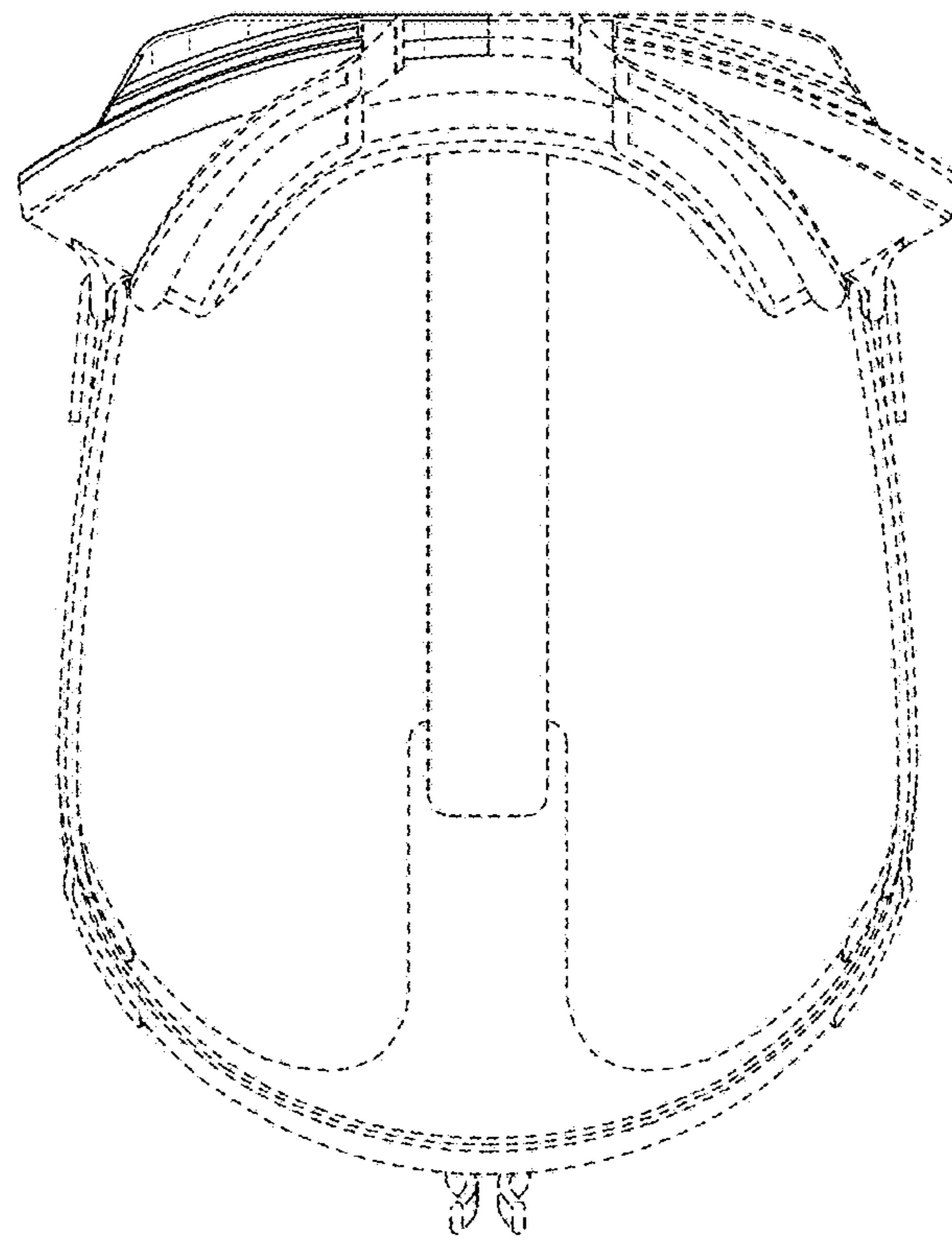


FIG. 8