



US00D848418S

(12) **United States Design Patent**
Jun

(10) **Patent No.:** **US D848,418 S**

(45) **Date of Patent:** **** May 14, 2019**

(54) **SSD STORAGE DEVICE**

(71) Applicant: **SAMSUNG ELECTRONICS CO., LTD.**, Suwon-si (KR)

(72) Inventor: **Gye-jin Jun**, Seongnam-si (KR)

(73) Assignee: **SAMSUNG ELECTRONICS CO., LTD.**, Suwon-si (KR)

(**) Term: **15 Years**

(21) Appl. No.: **29/627,112**

(22) Filed: **Nov. 22, 2017**

(30) **Foreign Application Priority Data**

May 24, 2017 (KR) 30-2017-0023629

(51) **LOC (11) Cl.** **14-02**

(52) **U.S. Cl.**
USPC **D14/356**; D14/348

(58) **Field of Classification Search**
USPC D14/300–302, 314, 348–370, 383–385, D14/435, 496, 125, 135, 155, 240–242, D14/299, 474, 480, 203.1, 203.3, 203.4, D14/432, 433, 436, 440, 250, 498, 500, D14/502, 217, 218; D13/103, 107, 108, D13/110, 119, 158, 162, 184, 199, 168; D3/276, 294; D10/46, 49, 75, 104.1
CPC ... G11B 33/027; G11B 33/122; G11B 33/124; G11B 33/00; G11B 33/02; G11B 33/022; G11B 33/025; H05K 5/00; H05K 5/0213; H05K 7/00; H05K 7/1427
See application file for complete search history.

(56) **References Cited**

U.S. PATENT DOCUMENTS

D233,762 S * 11/1974 Suyama D14/155
D248,470 S * 7/1978 Talesfore D14/435
D271,202 S * 11/1983 Endt D14/368
D305,116 S * 12/1989 Schmidt D14/385

D311,740 S * 10/1990 Wagner D14/358
D346,607 S * 5/1994 Bhargava D14/242
D383,732 S * 9/1997 Haley D14/435
D400,848 S * 11/1998 Clark D13/103
D408,796 S * 4/1999 Georgopulos D13/184
D408,812 S * 4/1999 Danis D14/137

(Continued)

FOREIGN PATENT DOCUMENTS

EM 000764410-0003 7/2007
EM 000764410-0004 7/2007
KR 30-0684313 S 3/2013

OTHER PUBLICATIONS

Portable hard drive. (Design—©Questel) orbit.com.[online PDF] 3 pgs. Print Date Aug. 31, 2016 [Retrieved on Dec. 6, 2018] <https://sobjprd.questel.fr/export/QPTUJ214/pdf2/8fa9e65a-1411-482c-bcde-8ebbe895fc87-171459.pdf>.*

Primary Examiner — Marie D. Fast Horse

(74) *Attorney, Agent, or Firm* — Sughrue Mion, PLLC

(57) **CLAIM**

The ornamental design for a SSD storage device, as shown and described.

DESCRIPTION

FIG. 1 is a perspective view of SSD storage device showing our new design;

FIG. 2 is a front elevation view thereof;

FIG. 3 is a rear elevation view thereof;

FIG. 4 is a left side elevation view thereof;

FIG. 5 is a right side elevation view thereof;

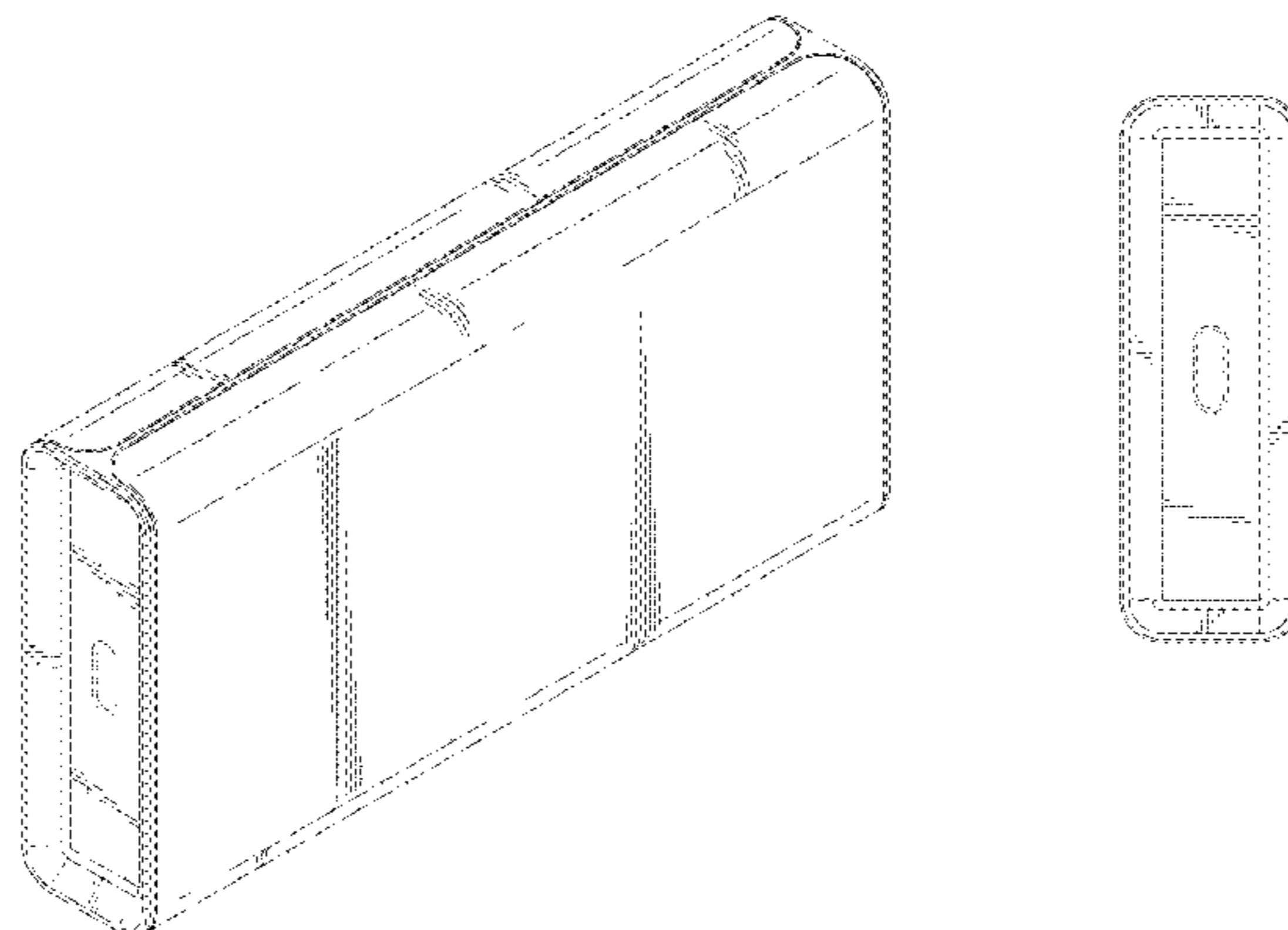
FIG. 6 is a top plan view thereof; and,

FIG. 7 is a bottom plan view thereof.

The appearance of the right side of the SSD storage device is the same as the left side, the only exception being the unclaimed oval port seen on the left.

The broken lines in the drawings depict a portion of the SSD storage device that forms no part of the claimed design.

1 Claim, 4 Drawing Sheets



(56)

References Cited

U.S. PATENT DOCUMENTS

D428,886 S *	8/2000	Hu	D14/348	D696,297 S *	12/2013	Fang	D14/496
D441,757 S *	5/2001	Hui	D14/435	D705,782 S *	5/2014	McParland	D14/435
D490,415 S *	5/2004	Whitehorn	D14/302	D708,129 S *	7/2014	Houghton	D13/103
D491,166 S *	6/2004	Hakoda	D14/214	D709,507 S *	7/2014	McParland	D14/435
D494,588 S *	8/2004	Shang	D14/363	D710,341 S *	8/2014	Cheng	D14/240
D512,435 S *	12/2005	Yang	D14/203.3	D711,923 S	8/2014	Dallmeyer et al.	
D516,556 S *	3/2006	Graziano	D14/359	D715,761 S *	10/2014	Kim	D14/188
D517,065 S *	3/2006	Ko	D14/365	D716,304 S *	10/2014	Orthey	D14/385
D520,997 S *	5/2006	Lee	D14/356	D718,335 S *	11/2014	Lee	D14/203.1
D529,512 S *	10/2006	Reawsanguanwong ..	D14/203.3	D722,018 S *	2/2015	Wang	D13/103
D538,803 S *	3/2007	Chen	D14/348	D724,080 S *	3/2015	Lin	D14/356
D542,242 S *	5/2007	Mathews Reynolds	D14/125	D734,739 S *	7/2015	Green	D14/214
D544,461 S *	6/2007	Hwang	D14/138 G	D743,333 S *	11/2015	Nomi	D13/108
D555,169 S *	11/2007	Shimizu	D14/496	D743,395 S *	11/2015	Chen	D14/385
D565,568 S *	4/2008	Trifilio	D14/356	D743,886 S *	11/2015	Nomi	D13/108
D565,571 S *	4/2008	Trifilio	D14/356	D754,081 S *	4/2016	Woodman	D13/168
D576,978 S *	9/2008	Kawasaki	D14/498	D758,302 S *	6/2016	Walker	D13/103
D579,915 S *	11/2008	Yeo	D14/214	D763,185 S *	8/2016	Wen	D13/103
D581,943 S *	12/2008	Pedersen	D14/150	D766,824 S *	9/2016	Li	D13/110
D591,289 S	4/2009	Tsuchiya et al.		D771,561 S *	11/2016	Walker	D13/103
D594,002 S *	6/2009	Kettula	D14/240	D772,808 S *	11/2016	Walker	D13/103
D602,019 S *	10/2009	Wang	D14/356	D772,809 S *	11/2016	Walker	D13/103
D638,385 S *	5/2011	Wong	D14/125	D780,116 S *	2/2017	Bing	D13/107
D639,276 S *	6/2011	Loh	D14/218	D781,812 S *	3/2017	Cho	D14/204
D640,650 S *	6/2011	Luo	D14/125	D782,974 S *	4/2017	Ju	D13/108
D656,924 S *	4/2012	Mehlsen	D14/226	D785,598 S *	5/2017	Ikonen	D14/218
D663,718 S *	7/2012	Jang	D14/214	D790,464 S *	6/2017	He	D13/110
D665,348 S *	8/2012	Ledbetter	D13/110	D790,539 S *	6/2017	Lee	D14/240
D670,681 S *	11/2012	Chang	D14/242	D812,000 S *	3/2018	Li	D13/108
D672,336 S *	12/2012	Lister	D14/218	D814,405 S *	4/2018	Hahn	D13/107
D677,623 S *	3/2013	Fitch	D13/108	D816,648 S *	5/2018	Kwak	D14/358
D678,191 S *	3/2013	Fitch	D13/108	D820,206 S *	6/2018	Cai	D13/108
D680,536 S *	4/2013	Tzeng	D14/358	D826,153 S *	8/2018	Hsia	D13/110
D687,023 S *	7/2013	Jung	D14/242	D826,854 S *	8/2018	Roberts	D13/108
D689,859 S *	9/2013	Kurata	D14/365	D827,594 S *	9/2018	Shim	D13/184
D690,286 S *	9/2013	Petersen	D14/209.1	2006/0146441 A1 *	7/2006	Chih	G11B 33/123 360/99.13
D693,807 S *	11/2013	Shim	D14/353	2009/0009953 A1 *	1/2009	Lin	G11B 33/123 361/679.33

* cited by examiner

FIG. 1

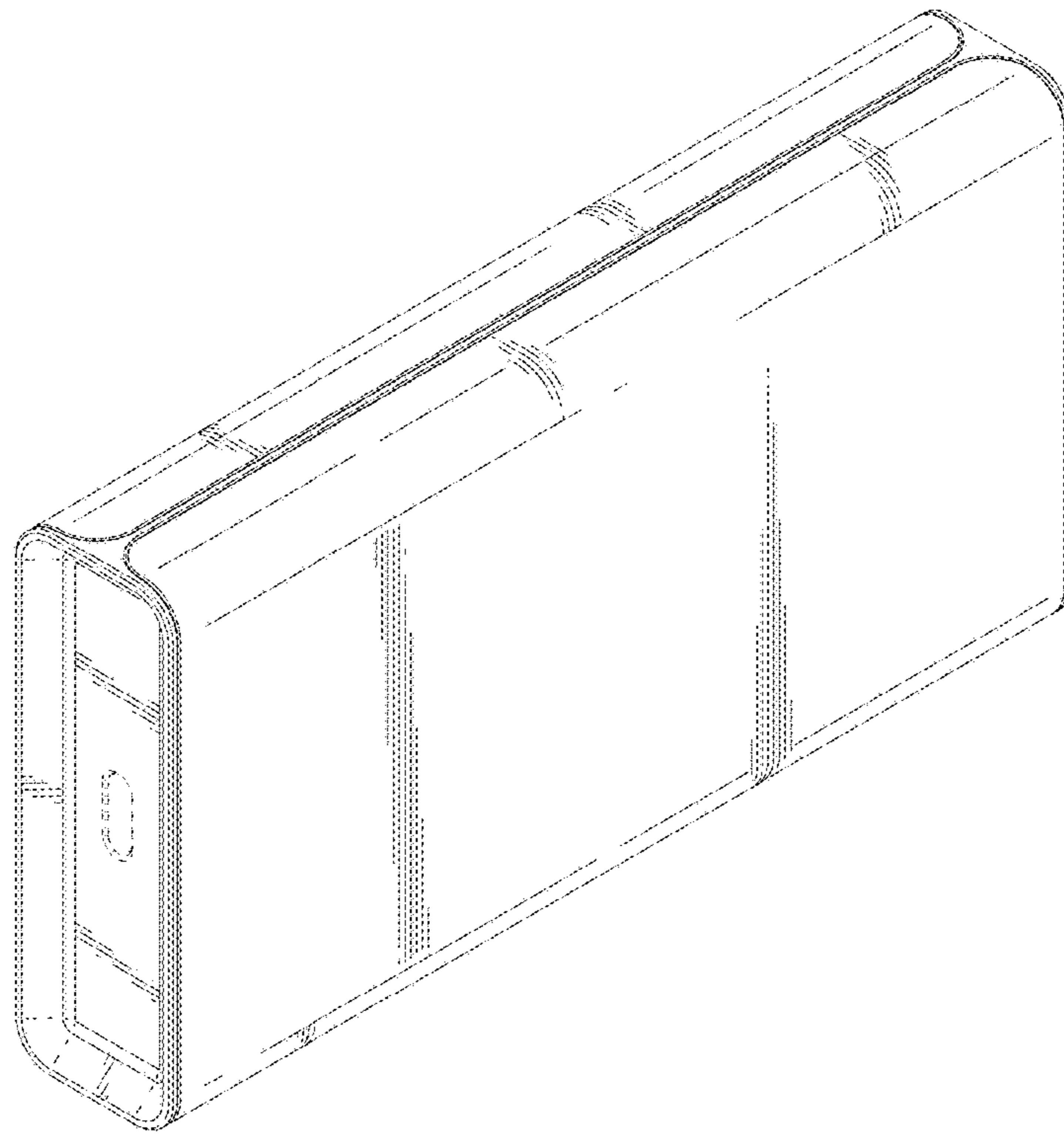


FIG. 2

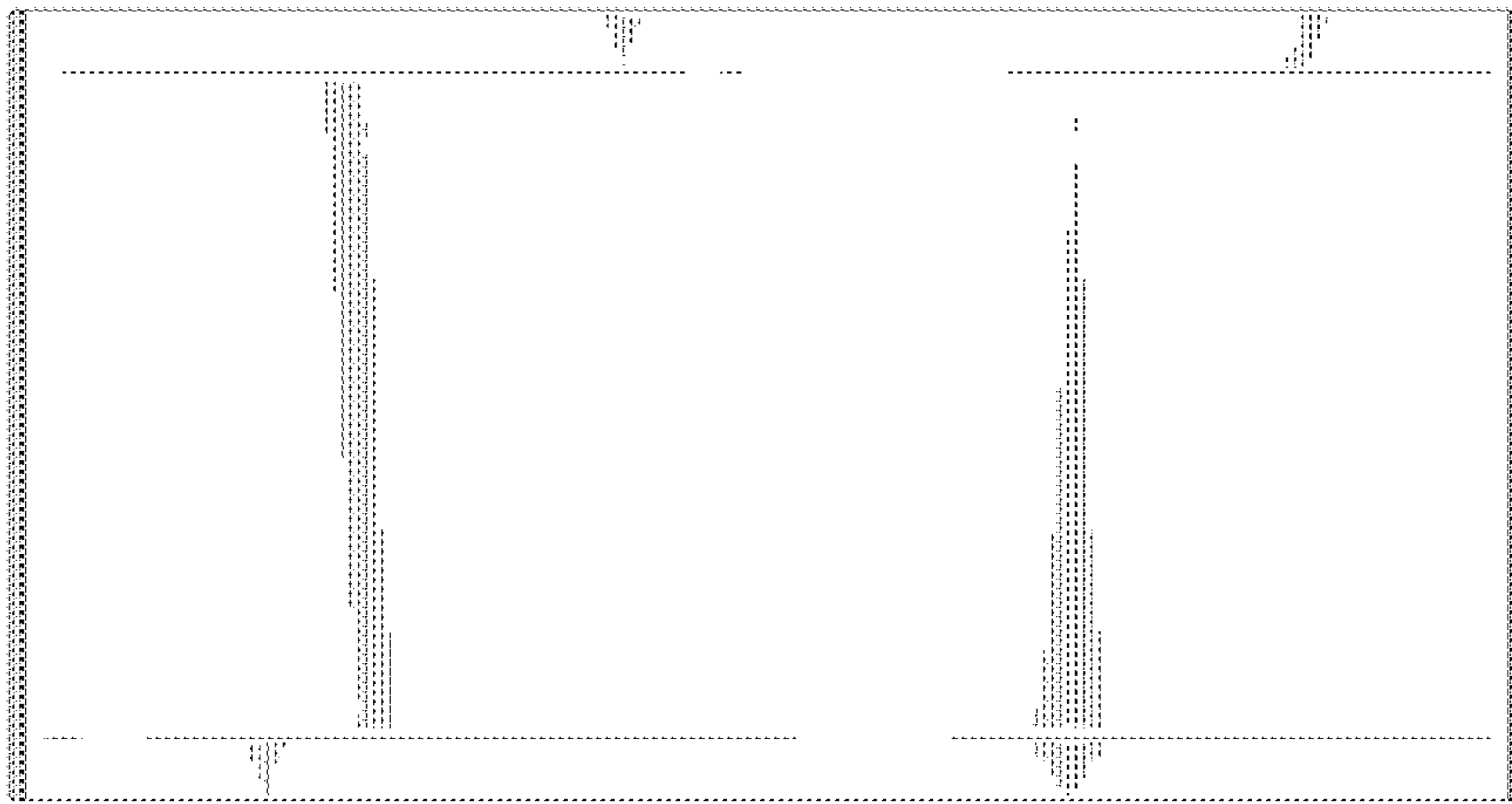


FIG. 3

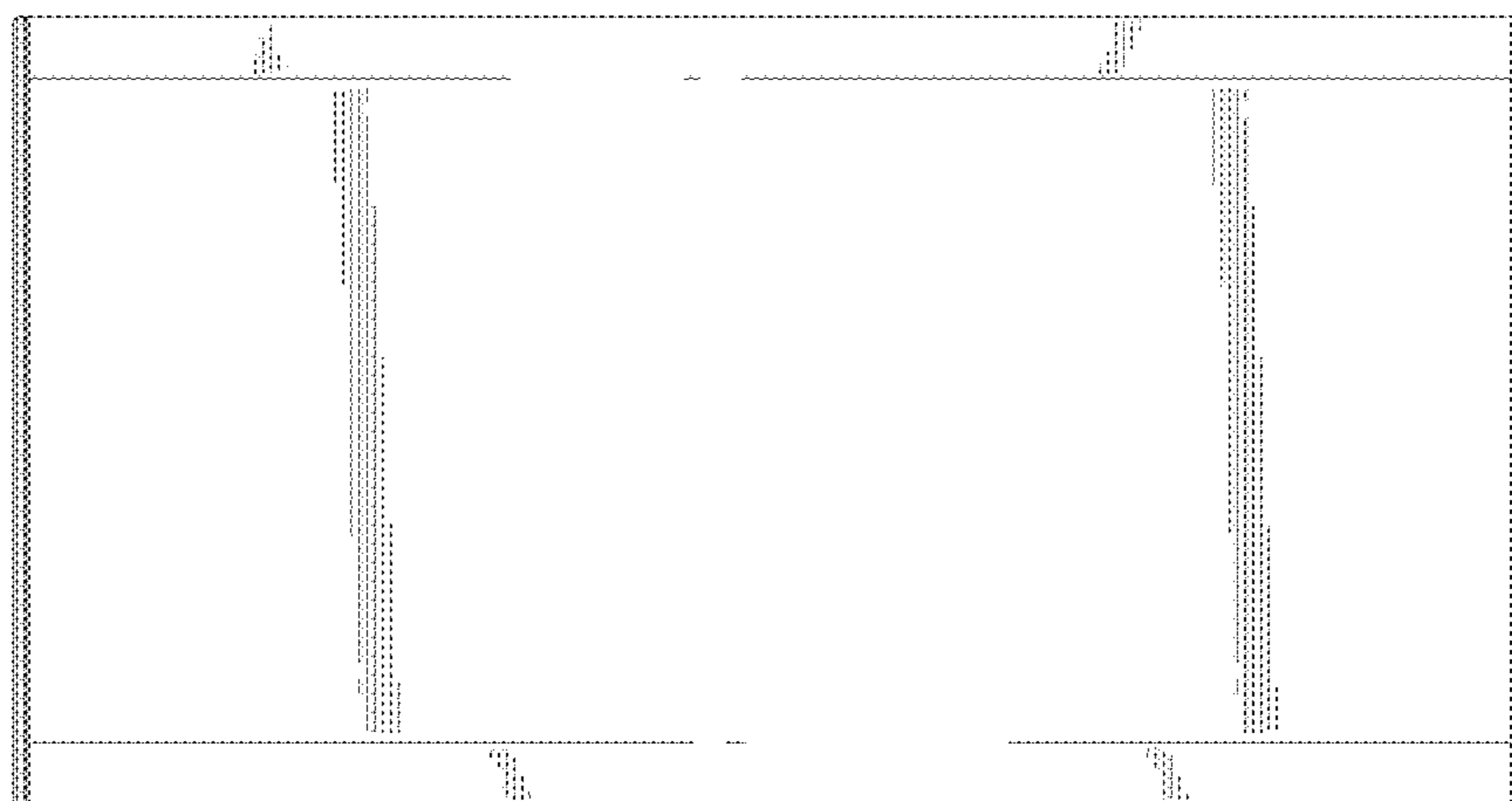


FIG. 4

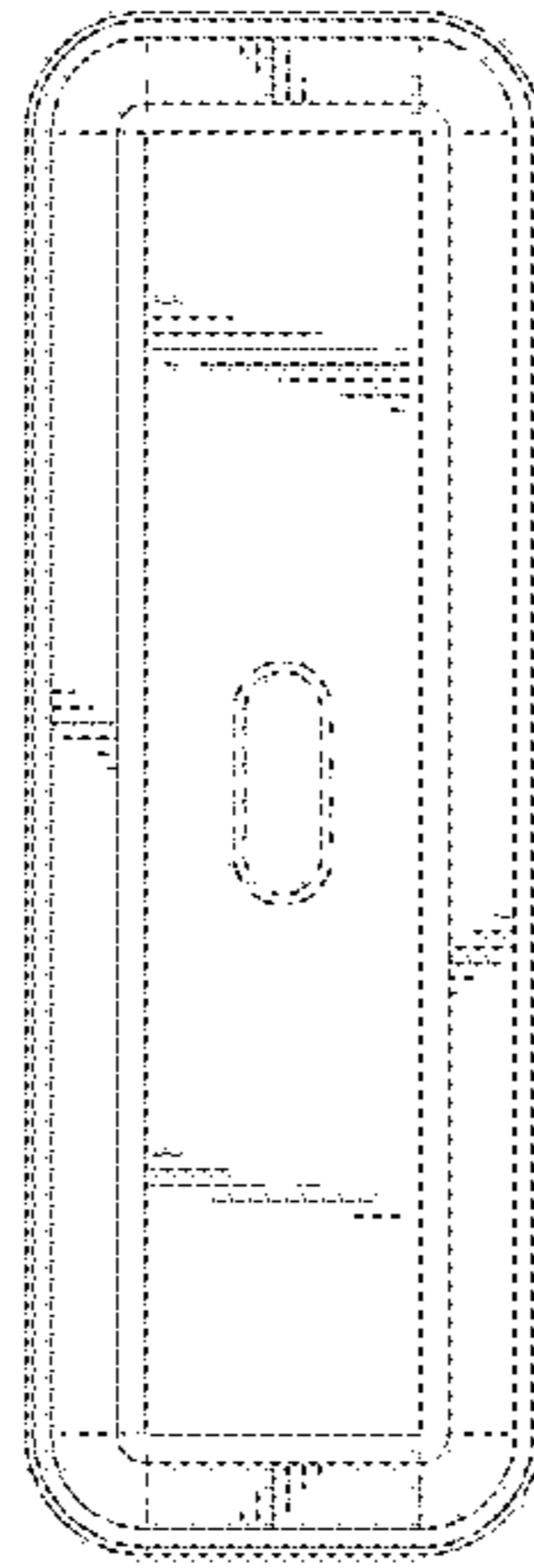


FIG. 5

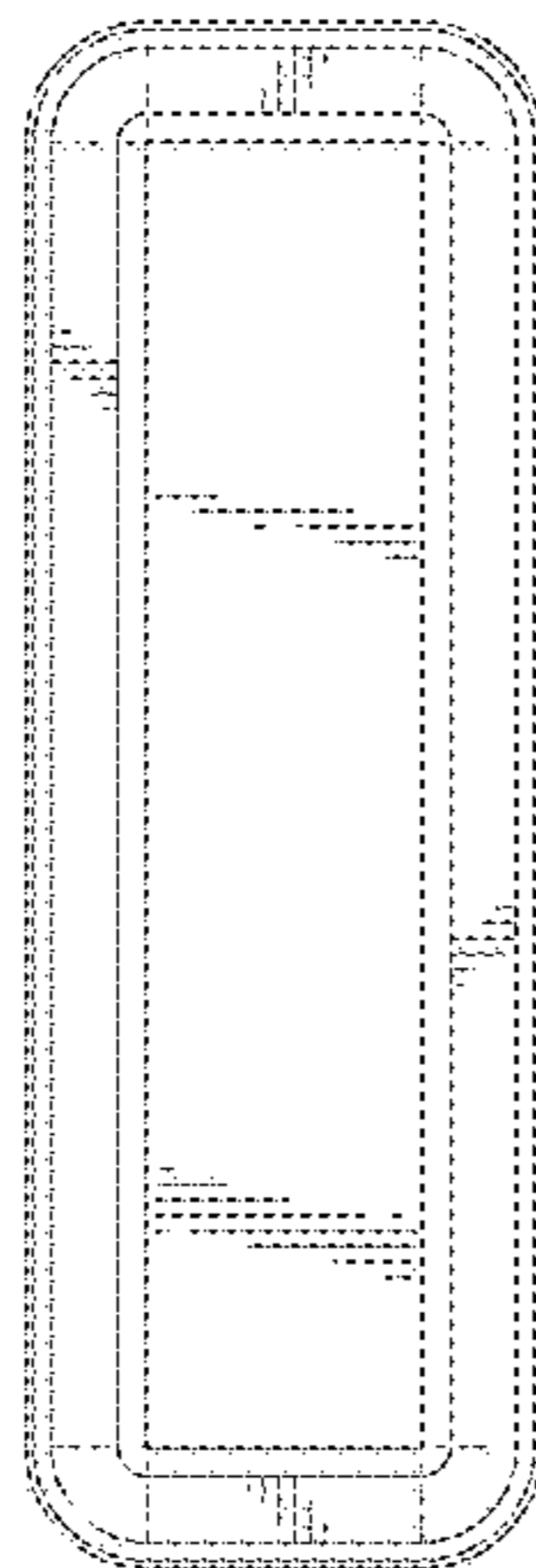


FIG. 6

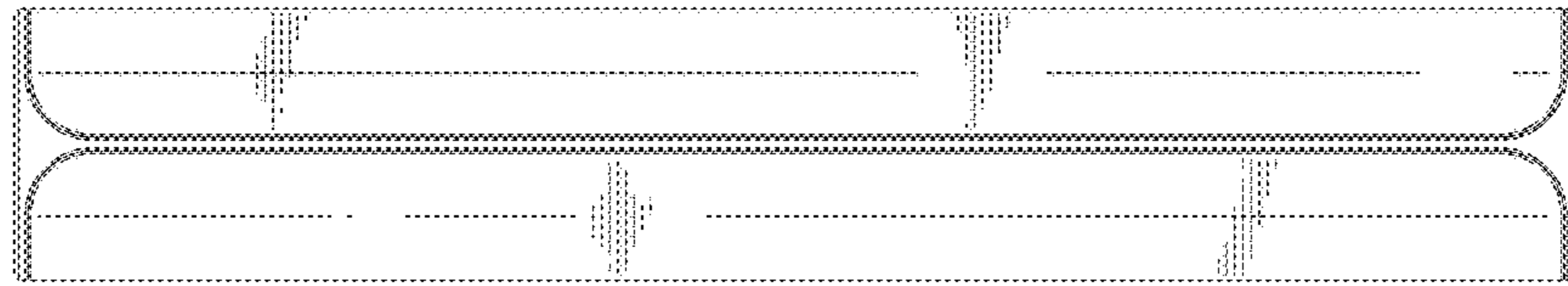


FIG. 7

