

US00D848414S

(12) **United States Design Patent** (10) **Patent No.:** **US D848,414 S**
Gardens (45) **Date of Patent:** **** May 14, 2019**

(54) **MULTISERVICE AND INTERACTIVE DIGITAL TERMINAL**
(71) Applicant: **AKSOR**, Saint-Thibault-des-Vignes (FR)
(72) Inventor: **Jacques Mangeot Gardens**, London (GB)
(73) Assignee: **AKSOR**, Saint-Thibault-des-Vignes (FR)
(**) Term: **15 Years**
(21) Appl. No.: **35/503,432**
(22) Filed: **Jul. 10, 2017**
(80) **Hague Agreement Data**
Int. Filing Date: **Jul. 10, 2017**
Int. Reg. No.: **DM/096909**
Int. Reg. Date: **Jul. 10, 2017**
Int. Reg. Pub. Date: **Jul. 28, 2017**
(51) **LOC (11) Cl.** **14-02**
(52) **U.S. Cl.**
USPC **D14/307**
CPC **G08B 13/1672** (2013.01)
(58) **Field of Classification Search**
USPC D14/154–168, 188, 192, 138 AB, 137, D14/104.1, 207, 351, 350, 353, 104, 106, D14/496; D10/68, 78; 340/573.1–573.4
CPC G08B 13/1672; G08B 13/19645; G08B 25/006; H04M 11/04
See application file for complete search history.

(56) **References Cited**
U.S. PATENT DOCUMENTS
D456,587 S * 4/2002 Kit D99/28
D492,080 S * 6/2004 Magee D99/28
D530,880 S * 10/2006 Magee D99/28

7,549,925 B2 * 6/2009 Scholen A63F 13/08 211/84
D596,174 S * 7/2009 Giugiaro D14/307
D596,374 S * 7/2009 Kang D99/28
D625,305 S * 10/2010 Bleck D14/307
D645,223 S * 9/2011 Bleck D14/307
D646,269 S * 10/2011 Crick, Jr. D14/307
D653,420 S * 1/2012 Rohan D14/307
8,116,081 B2 * 2/2012 Crick, Jr. G09F 27/00 361/679.23
D695,285 S * 12/2013 Smith D14/307
D696,658 S * 12/2013 Winston D14/307
D700,901 S * 3/2014 Giglio D14/129
D702,914 S * 4/2014 Budde D99/28
D705,213 S * 5/2014 Smith D14/307
D732,015 S * 6/2015 Alekhin D14/307
D776,651 S * 1/2017 Yates D14/307
D783,596 S * 4/2017 Payne D14/307
D790,530 S * 6/2017 Mangeot D14/307
D794,274 S * 8/2017 Mangeot D99/28
D801,328 S * 10/2017 Fergusson D14/307
D816,658 S * 5/2018 Robinson D14/307
2002/0124271 A1 * 9/2002 Herrmann G06Q 30/02 725/151
2009/0057398 A1 * 3/2009 Douglass G07F 19/20 235/379

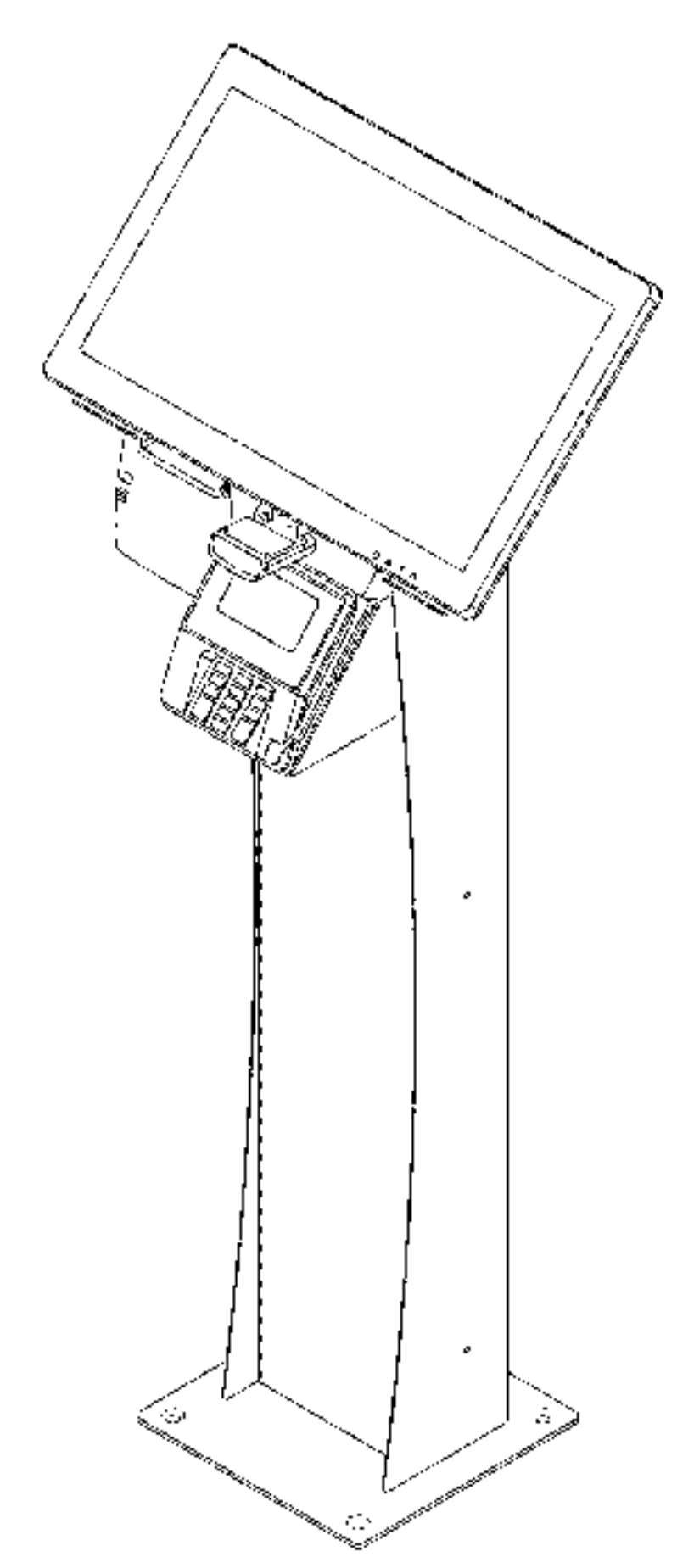
(Continued)

Primary Examiner — Richard E Chilcot
(74) *Attorney, Agent, or Firm* — Arent Fox LLP

(57) **CLAIM**
The ornamental design for a multi-service and interactive digital terminal, as shown and described.

DESCRIPTION
1. Multi-service and interactive digital terminal
1.1 : Front
1.2 : Perspective
1.3 : Right
1.4 : Back
1.5 : Left
The broken lines shown in the figures are for purposes of illustrating portions of the multiservice and interactive digital terminal that form no part of the claimed design.

1 Claim, 5 Drawing Sheets



(56)

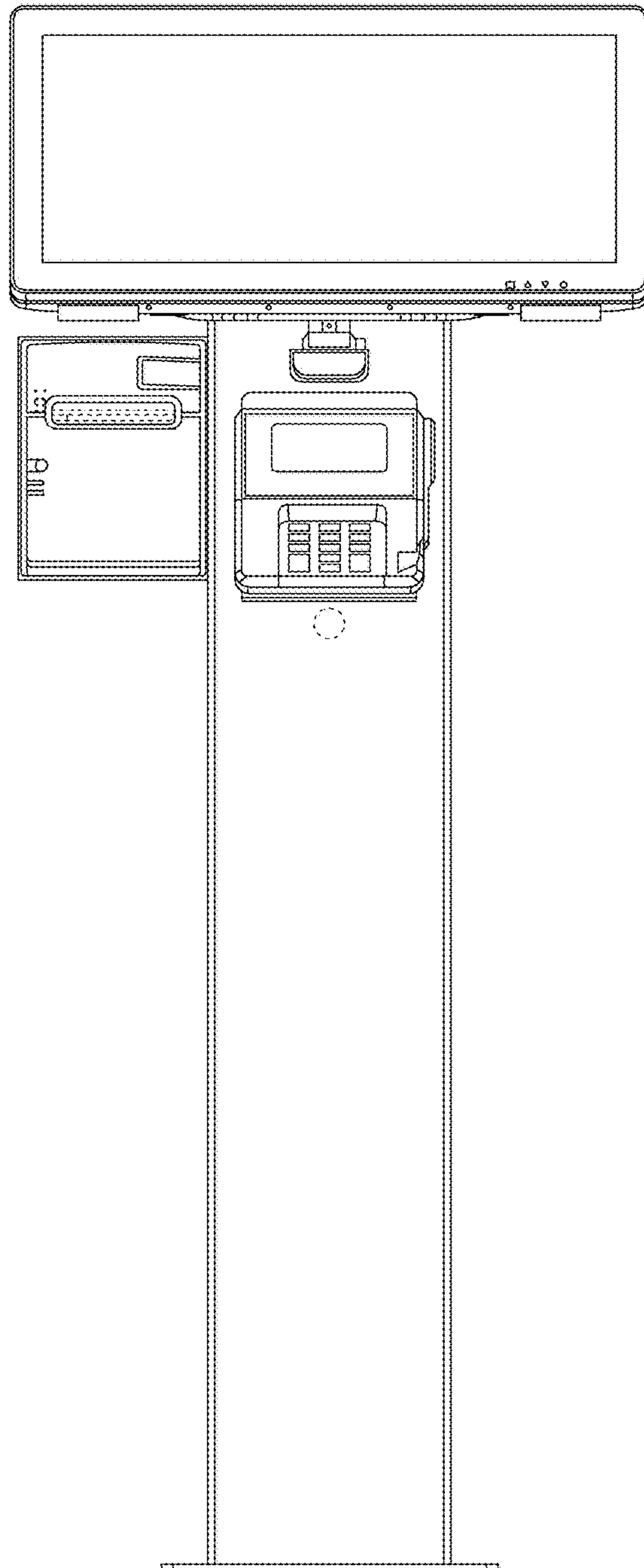
References Cited

U.S. PATENT DOCUMENTS

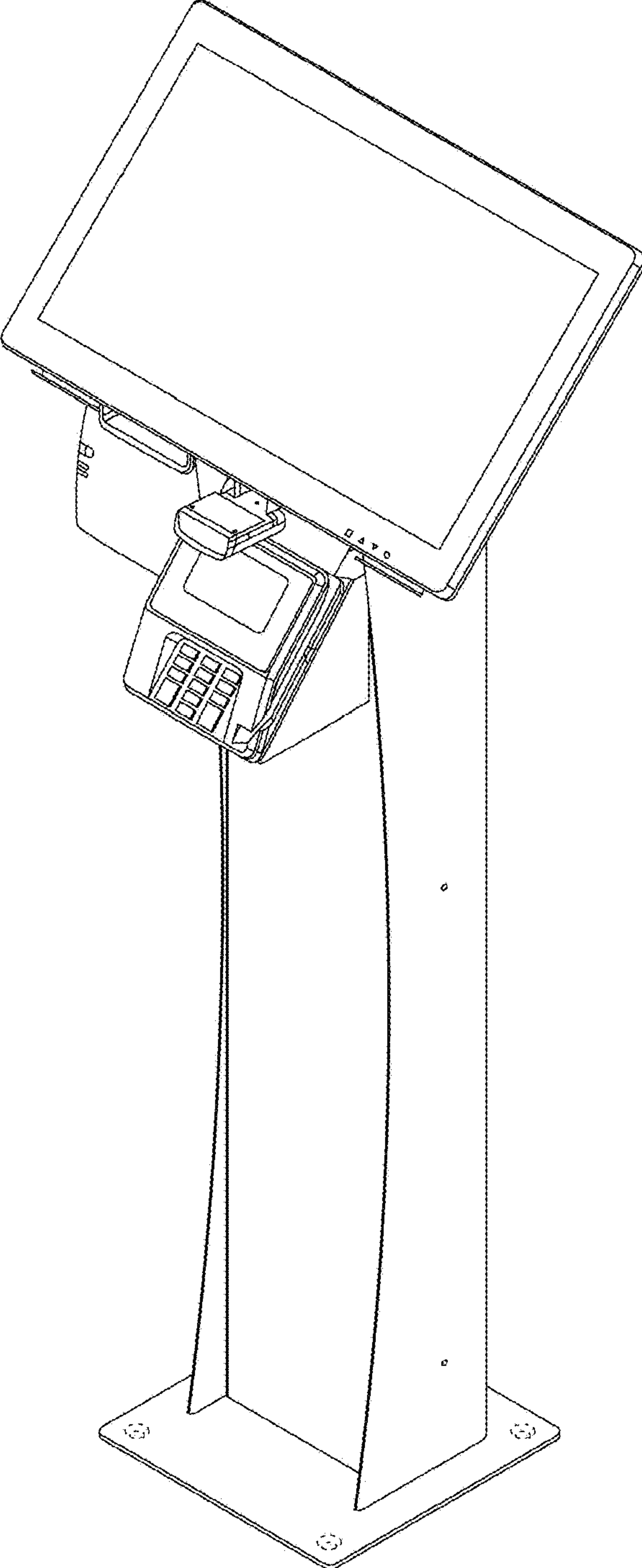
2017/0365018 A1* 12/2017 Agostinho G06Q 50/14

* cited by examiner

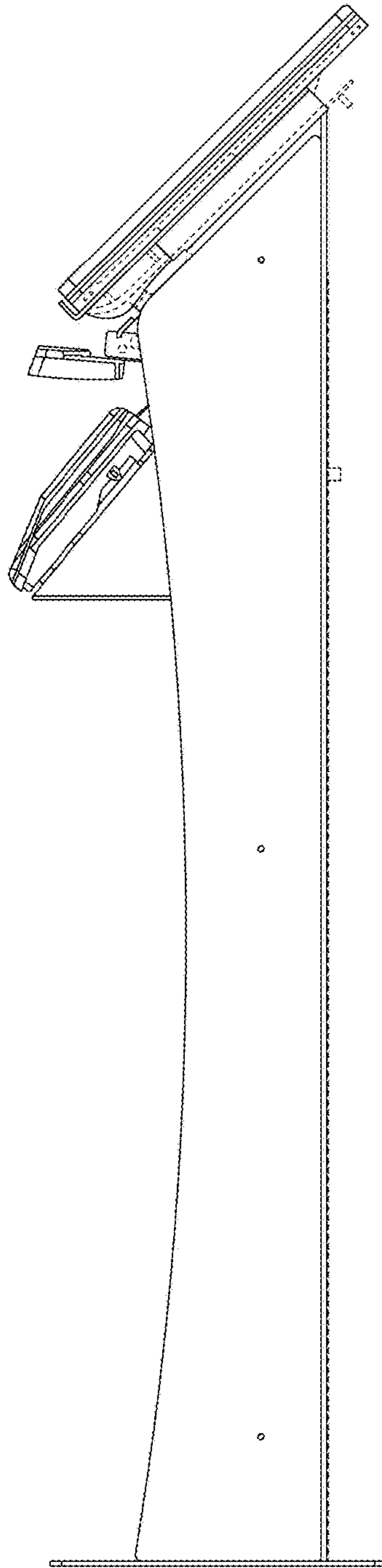
1.1



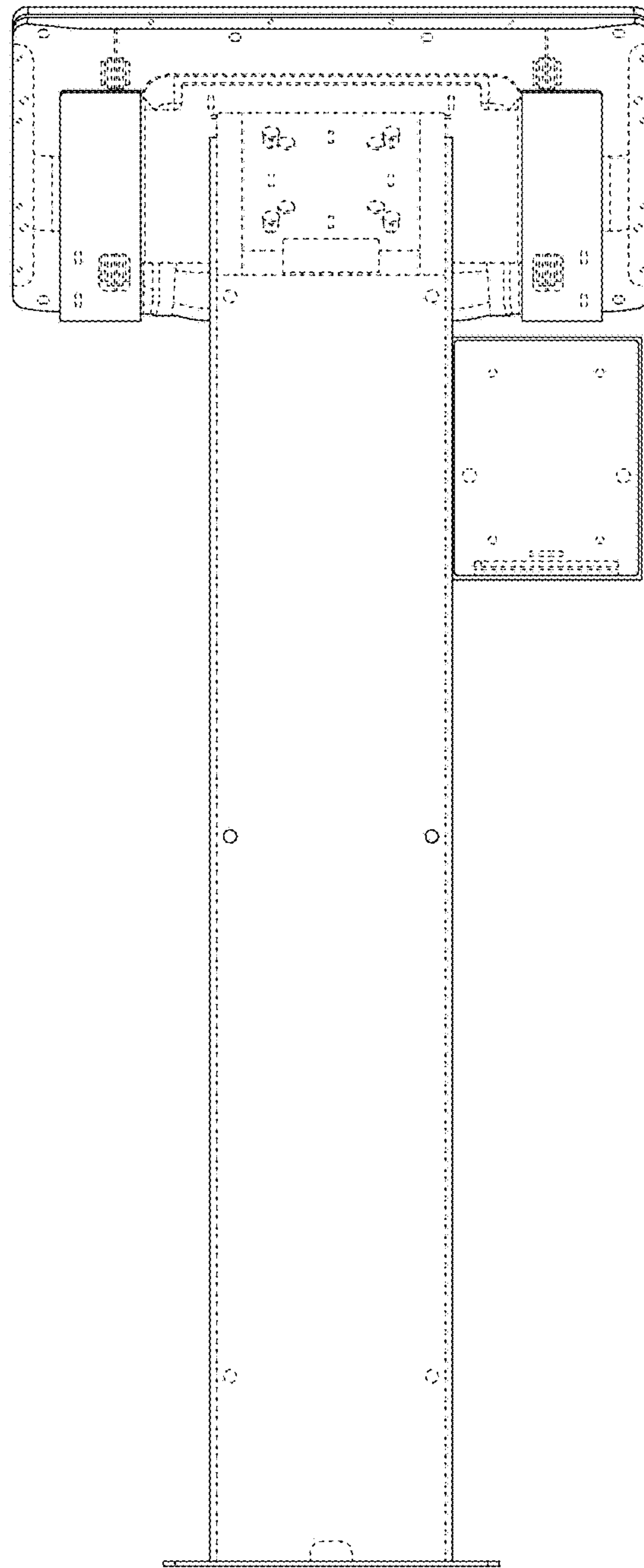
1.2



1.3



1.4



1.5

