



US00D848412S

(12) **United States Design Patent**
Greve et al.

(10) **Patent No.:** **US D848,412 S**

(45) **Date of Patent:** **** May 14, 2019**

(54) **SMARTPHONE HOLDER**

(71) Applicant: **Braun GmbH**, Kronberg (DE)

(72) Inventors: **Oliver Greve**, Kelkheim (DE); **Egle Kiiver**, Frankfurt (DE); **Frank Müller**, Oberursel (DE); **Fritz Schubert**, Bad Camberg (DE); **Andrea Schüring**, Eschborn (DE)

(73) Assignee: **BRAUN GMBH**, Kronberg (DE)

(**) Term: **15 Years**

(21) Appl. No.: **29/554,507**

(22) Filed: **Feb. 11, 2016**

(51) **LOC (11) Cl.** **14-03**

(52) **U.S. Cl.**
USPC **D14/253**

(58) **Field of Classification Search**
USPC D14/251–253, 447, 451, 452, 440, 434, D14/458, 432, 439, 457, 460, 238.1, 140, D14/142, 149, 217; D12/415; D3/218; D8/349

CPC B60R 2011/0008; B60R 11/02; B60R 11/0241; B60R 11/0258; B60R 11/0252; B60R 2011/0294; F16M 11/00; F16M 11/04; F16M 11/041; F16M 11/02; F16M 11/06; F16M 13/00; H04M 1/02; H04M 1/04; H04M 1/11; H04M 1/12; A47F 7/022; B62J 11/00; H05K 7/00; G03B 17/56

See application file for complete search history.

(56) **References Cited**

U.S. PATENT DOCUMENTS

D407,408 S * 3/1999 Hoff D14/253
D619,841 S * 7/2010 Yang D6/545

D625,715 S * 10/2010 Adams, II D14/253
8,584,996 B2 * 11/2013 Chung A47B 23/042
248/149
D709,065 S * 7/2014 Guyot D14/253
D719,146 S * 12/2014 Herbst D14/253
D723,021 S * 2/2015 Guyot D14/253
D728,576 S * 5/2015 David D14/434
D746,807 S * 1/2016 McGarry D14/253
D763,244 S * 8/2016 McGarry D14/253
D771,614 S * 11/2016 Chang D14/253
D784,978 S * 4/2017 Hobbs D14/253
D793,994 S * 8/2017 Herbst D14/217
D799,468 S * 10/2017 Chen D14/253
2015/0275943 A1 * 10/2015 Chang F16B 2/12
248/205.8

OTHER PUBLICATIONS

<https://dentalrevelations.com/2016/12/06/testing-oral-b-smart-phone-holder-take-2/> Dental Revelations Blog retrieved Jun. 25, 2018. published Jun. 12, 2016*

* cited by examiner

Primary Examiner — Janice Hallmark

(74) *Attorney, Agent, or Firm* — Vladimir Vitenberg

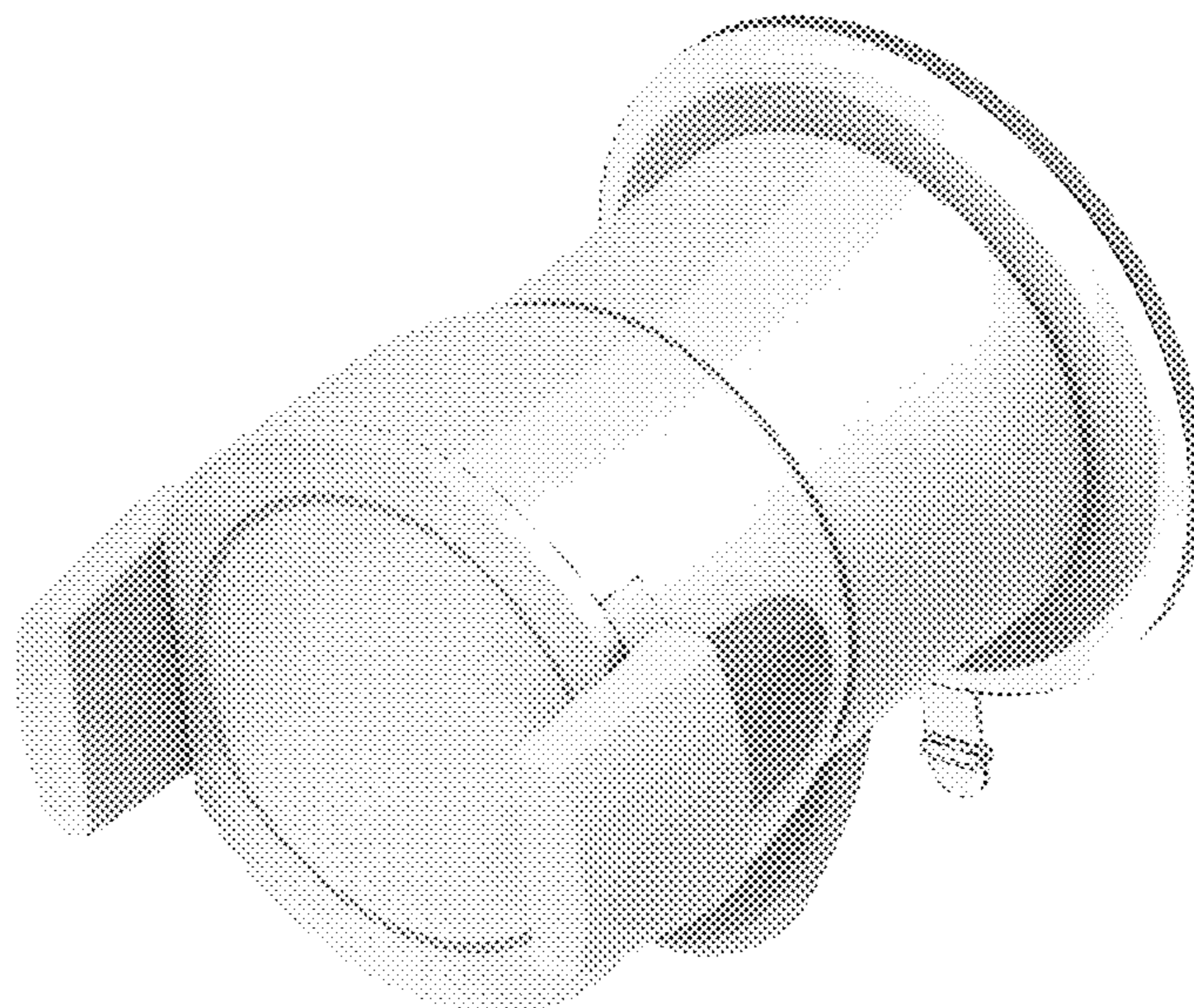
(57) **CLAIM**

The ornamental design for a smartphone holder or the like, as shown and described.

DESCRIPTION

FIG. 1 is a perspective view of a smartphone holder;
FIG. 2 is a front view thereof;
FIG. 3 is a left side view thereof;
FIG. 4 is a right side view thereof;
FIG. 5 is a top plan view thereof; and,
FIG. 6 is a bottom view thereof.

1 Claim, 3 Drawing Sheets



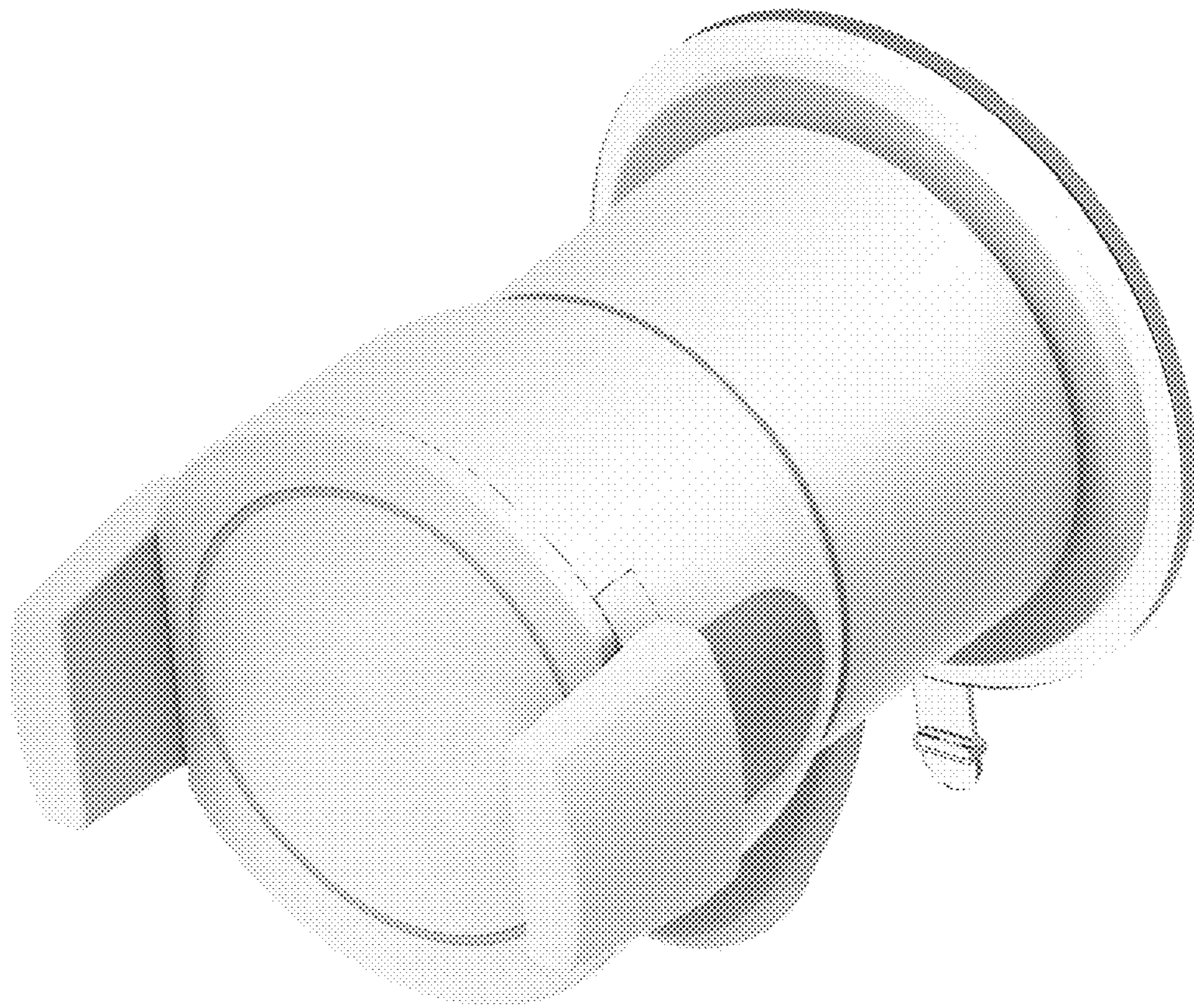


FIG. 1

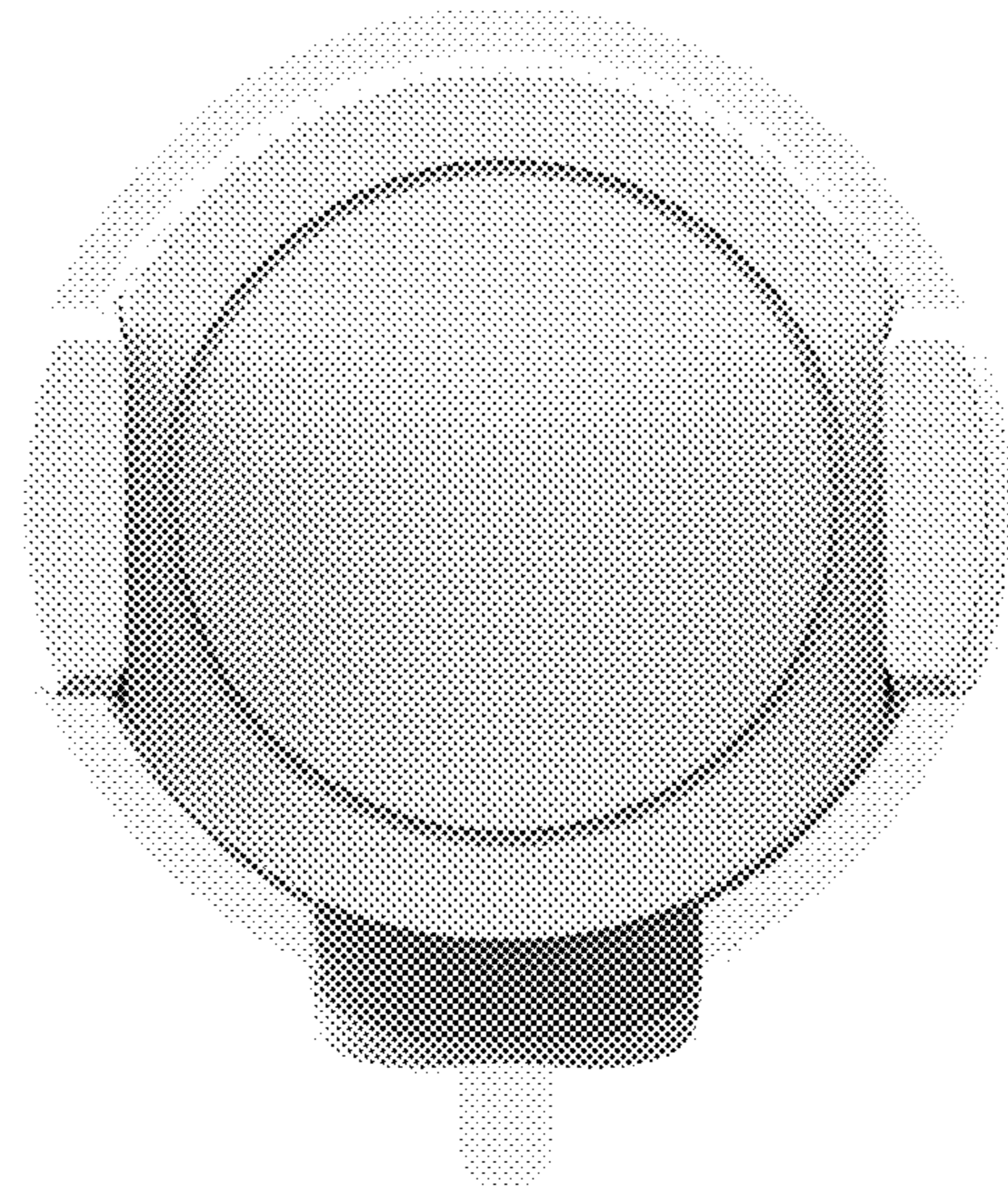


FIG. 2

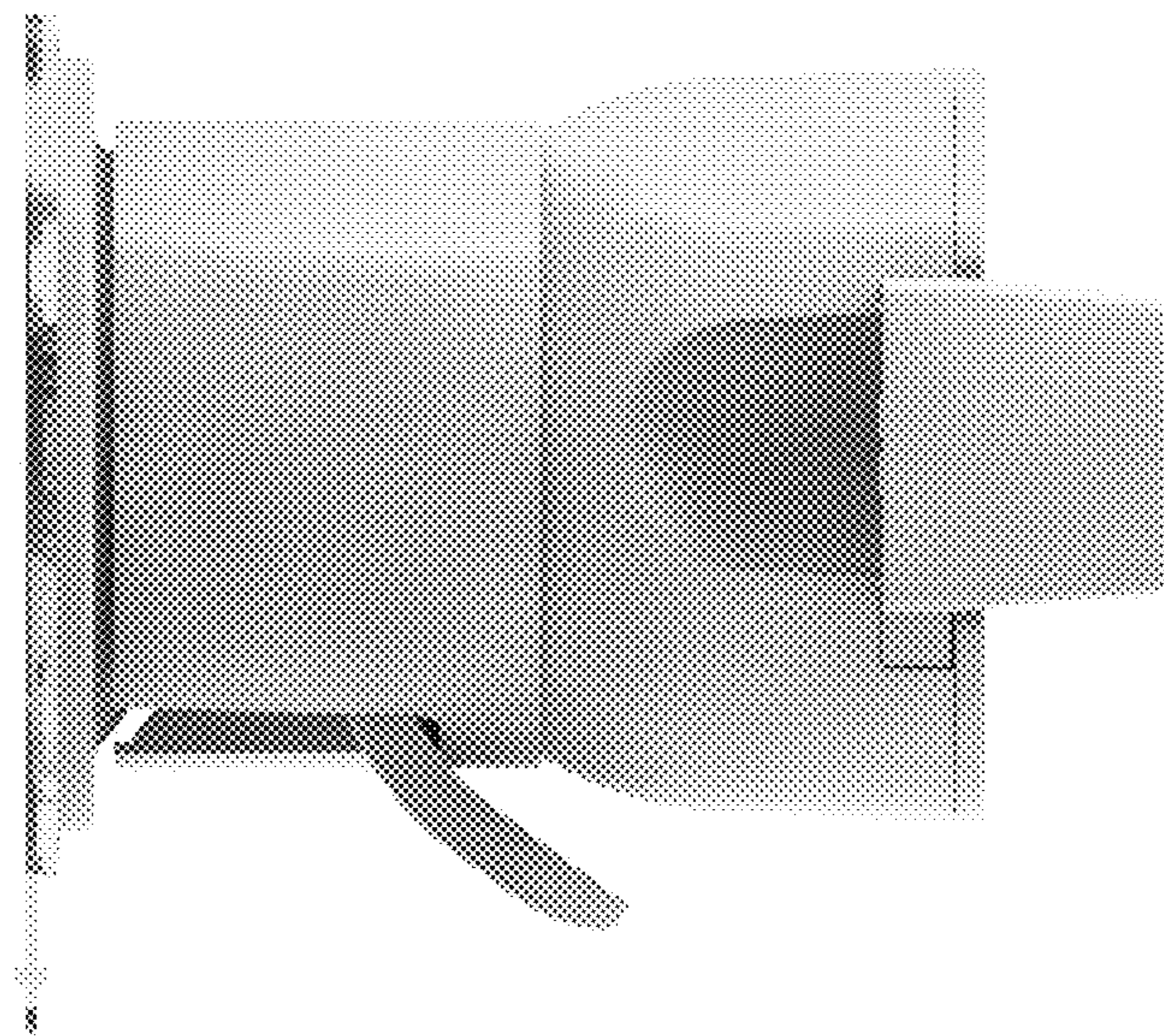


FIG. 3

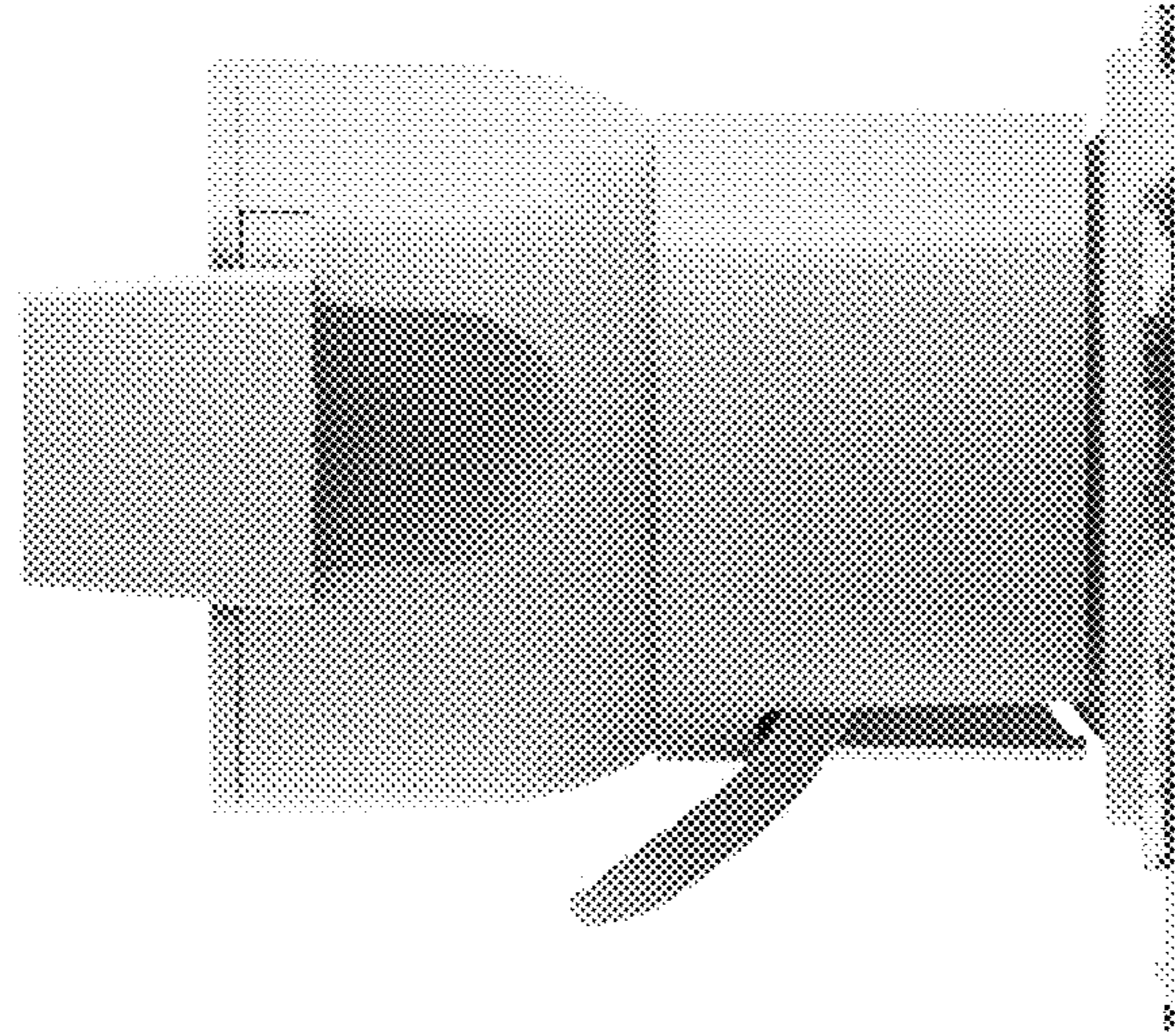


FIG. 4

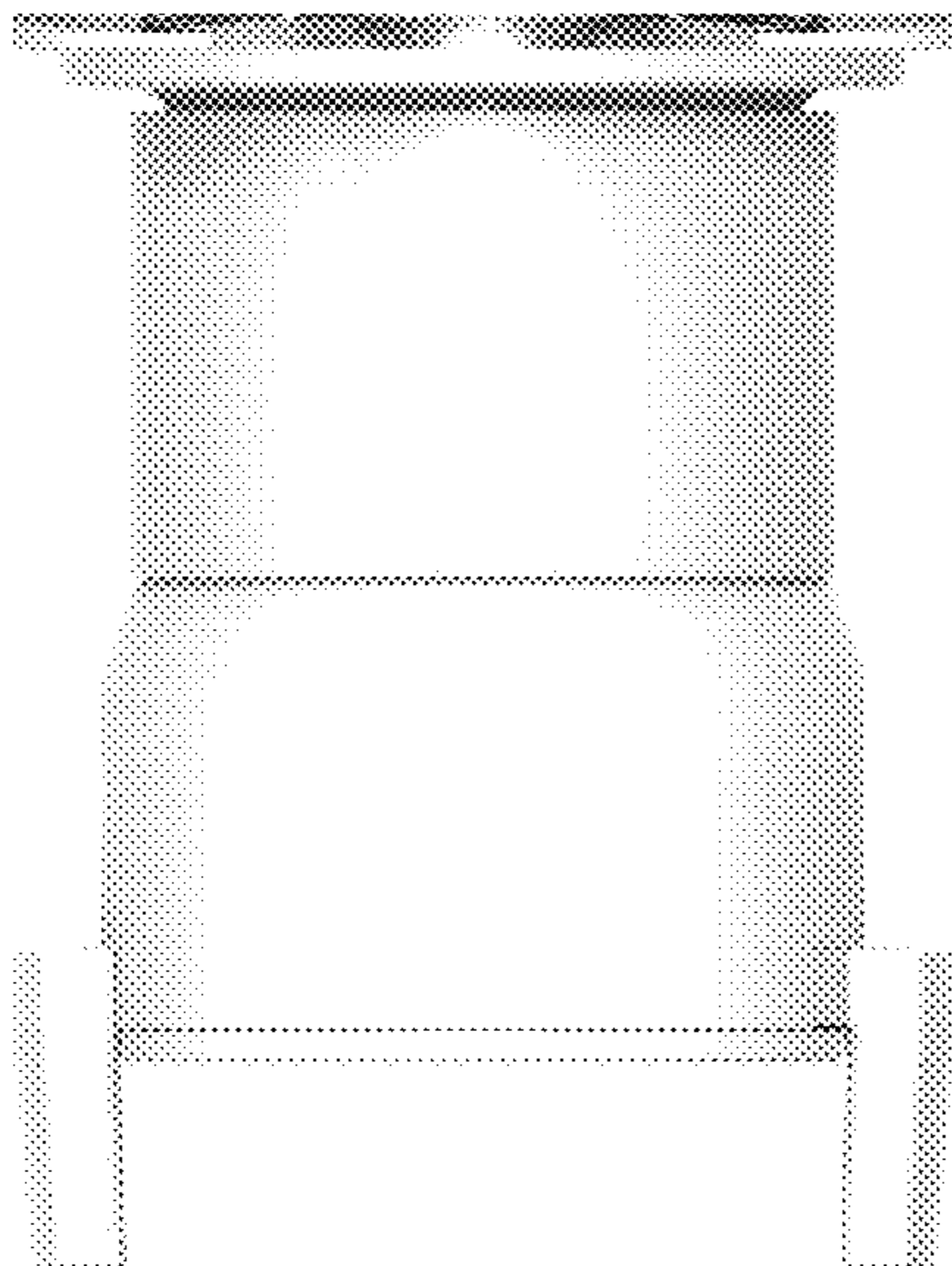


FIG. 5

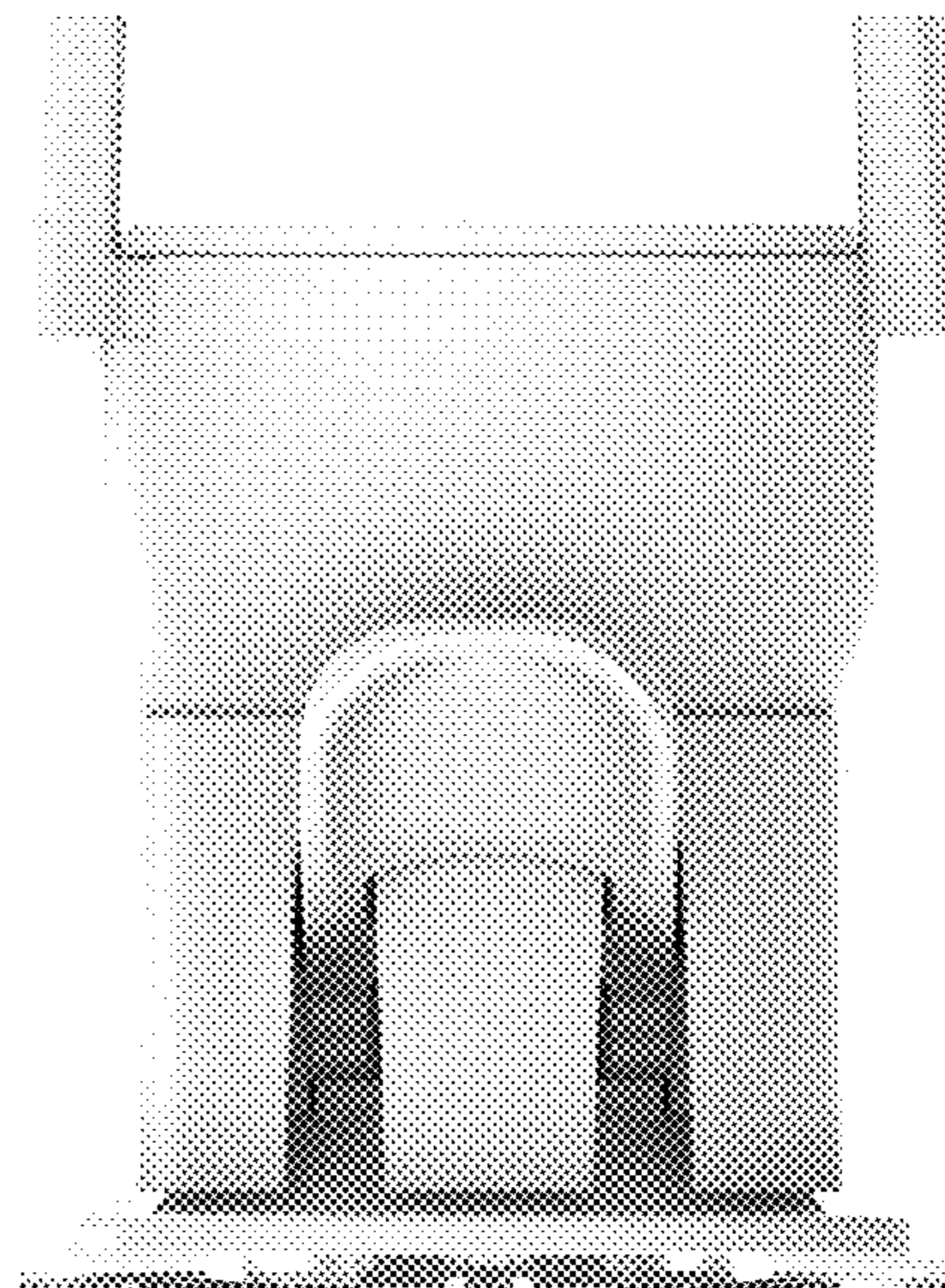


FIG. 6