



US00D848409S

(12) **United States Design Patent**
Feng

(10) **Patent No.:** **US D848,409 S**

(45) **Date of Patent:** **** May 14, 2019**

(54) **MOBILE PHONE PROTECTIVE CASE**

(71) Applicant: **GUANGZHOU WENYI COMMUNICATION EQUIPMENT CO., LTD.**, Guangzhou (Guangdong Province) (CN)

(72) Inventor: **Youru Feng**, Guangzhou (CN)

(73) Assignee: **GUANGZHOU WENYI COMMUNICATION EQUIPMENT CO., LTD.**, Guangzhou, Guangdong (CN)

(**) Term: **15 Years**

(21) Appl. No.: **29/619,032**

(22) Filed: **Sep. 26, 2017**

(51) **LOC (11) Cl.** **14-03**

(52) **U.S. Cl.**
USPC **D14/250**

(58) **Field of Classification Search**
USPC **D14/250**

(Continued)

(56) **References Cited**

U.S. PATENT DOCUMENTS

D678,260 S * 3/2013 Bau D14/132

D682,839 S * 5/2013 Sampson D14/447

(Continued)

OTHER PUBLICATIONS

Card Holder Protective Flip Case Phone Shell, posted at amazon.com, posting date not given, [online], [site visited Nov. 27, 2018]. Available from Internet, URL: <https://www.amazon.com/Holder-Simple-Shockproof-Anti-Scratch-Protective/dp/B07JVT846H> (Year: 2018).*

(Continued)

Primary Examiner — George D. Kirschbaum

Assistant Examiner — Maria J Edwards

(74) *Attorney, Agent, or Firm* — Yong Chen

(57) **CLAIM**

The ornamental design for a mobile phone protective case, as shown and described.

DESCRIPTION

FIG. 1 is a front view of a mobile phone protective case of the present invention when the case is in a closed configuration.

FIG. 2 is a back view of the mobile phone protective case shown in FIG. 1.

FIG. 3 is a left view of the mobile phone protective case shown in FIG. 1.

FIG. 4 is a right view of the mobile phone protective case shown in FIG. 1.

FIG. 5 is a top view of the mobile phone protective case shown in FIG. 1.

FIG. 6 is a bottom view of the mobile phone protective case shown in FIG. 1.

FIG. 7 is a view of the interior of the mobile phone protective case of the present invention when the case is in an open, fully expanded configuration.

FIG. 8 is a perspective view of the mobile phone protective case of the present invention when the case is in a deployed, self-standing configuration for supporting a mobile phone to be viewed at a tilted angle.

FIG. 9 is another perspective view of the mobile phone protective case of the present invention as shown in FIG. 8.

FIG. 10 is a front view of the mobile phone protective case as shown in FIG. 8.

FIG. 11 is a back view of the mobile phone protective case as shown in FIG. 8.

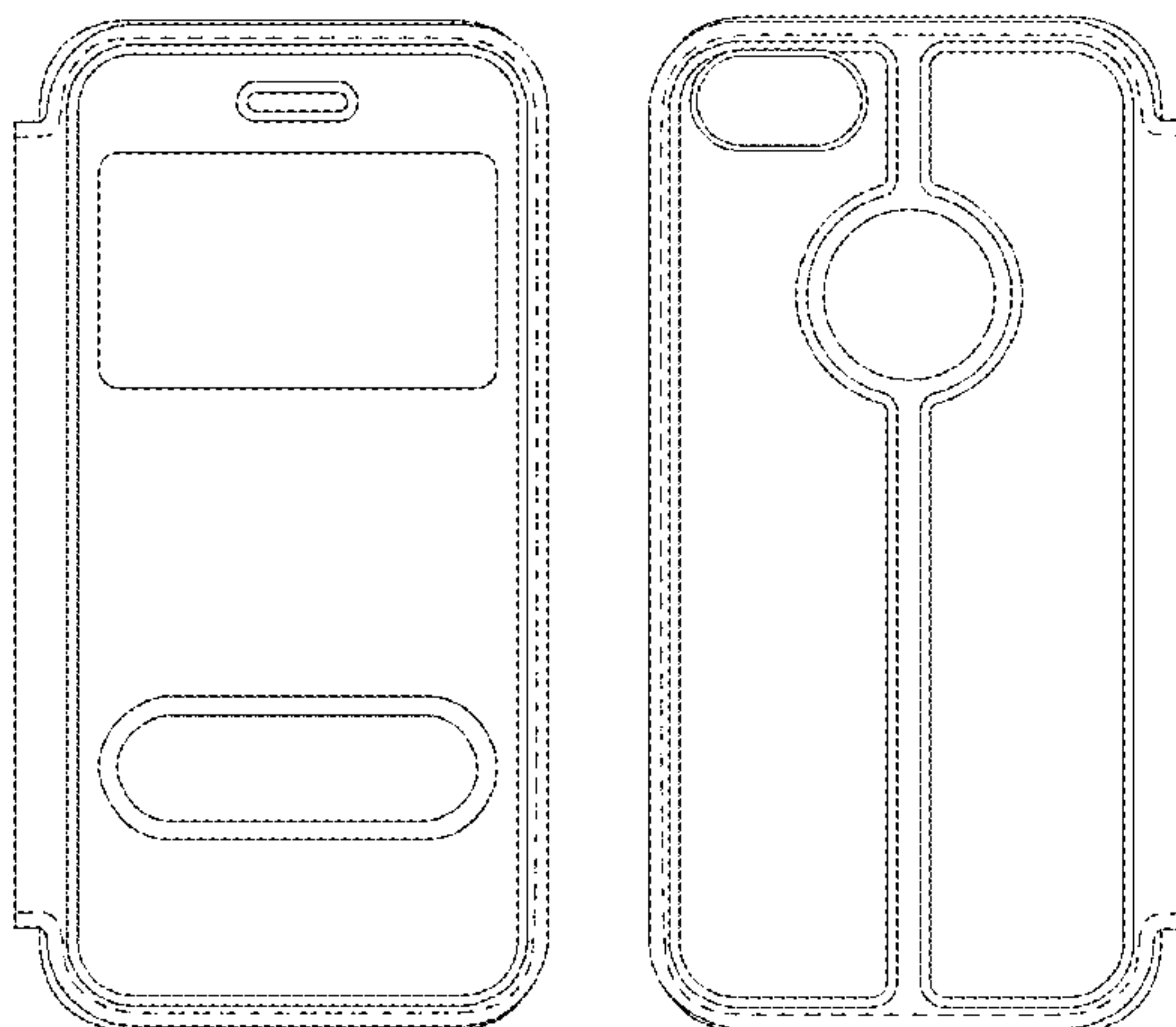
FIG. 12 is a left view of the mobile phone protective case as shown in FIG. 8.

FIG. 13 is a right view of the mobile phone protective case as shown in FIG. 8.

FIG. 14 is a top view of the mobile phone protective case as shown in FIG. 8; and,

FIG. 15 is a bottom view of the mobile phone protective case as shown in FIG. 8.

(Continued)



The broken line showing of certain portions of the mobile phone protective case is included for the purpose of illustration only and forms no part of the claimed design.

| | | | | | | |
|--------------|----|---|---------|-------|-------|----------------------|
| D810,067 | S | * | 2/2018 | Lee | | D14/250 |
| D816,652 | S | * | 5/2018 | Chang | | D14/250 |
| D832,270 | S | * | 10/2018 | Cheng | | D14/440 |
| 2011/0290687 | A1 | * | 12/2011 | Han | | A45C 3/02 206/320 |

1 Claim, 10 Drawing Sheets

(58) Field of Classification Search

CPC A45C 2011/002
See application file for complete search history.

(56) References Cited

U.S. PATENT DOCUMENTS

| | | | | | | |
|-----------|----|---|---------|----------|-------|-------------|
| D696,256 | S | * | 12/2013 | Piedra | | D14/440 |
| D709,690 | S | * | 7/2014 | Zhang | | D3/218 |
| D729,256 | S | * | 5/2015 | Feng | | D14/447 |
| D748,097 | S | * | 1/2016 | Feng | | D14/440 |
| 9,417,662 | B1 | * | 8/2016 | Feng | | G06F 1/1656 |
| D789,342 | S | * | 6/2017 | Sirichai | | D14/250 |
| D794,952 | S | * | 8/2017 | Feng | | D3/247 |

OTHER PUBLICATIONS

Kwmobile flip case Cover, posted at amazon.com, posting date by Aug. 22, 2016, [online], [site visited Nov. 27, 2018]. Available from Internet, URL: <https://www.amazon.com/kwmobile-Foldable-Protective-Imitation-Leather/dp/B01F3AT0LQ> (Year: 2016).*

Moto G6 Case ICARERCASE Flip Case, posting date by Jul. 19, 2018, [online], [site visited Nov. 27, 2018]. Available from Internet, URL: <https://www.amazon.com/ICARERCASE-Leather-Protective-Resistant-Motorola/dp/B07CPT768Q> (Year: 2018).*

Shieldon iPhone Xs Max Case, posting date by Oct. 14, 2018, [online], [site visited Nov. 27, 2018]. Available from Internet, URL: <https://www.amazon.com/SHIELDON-Genuine-Leather-Protective-Magnetic/dp/B07H9QBNLX> (Year: 2018).*

* cited by examiner

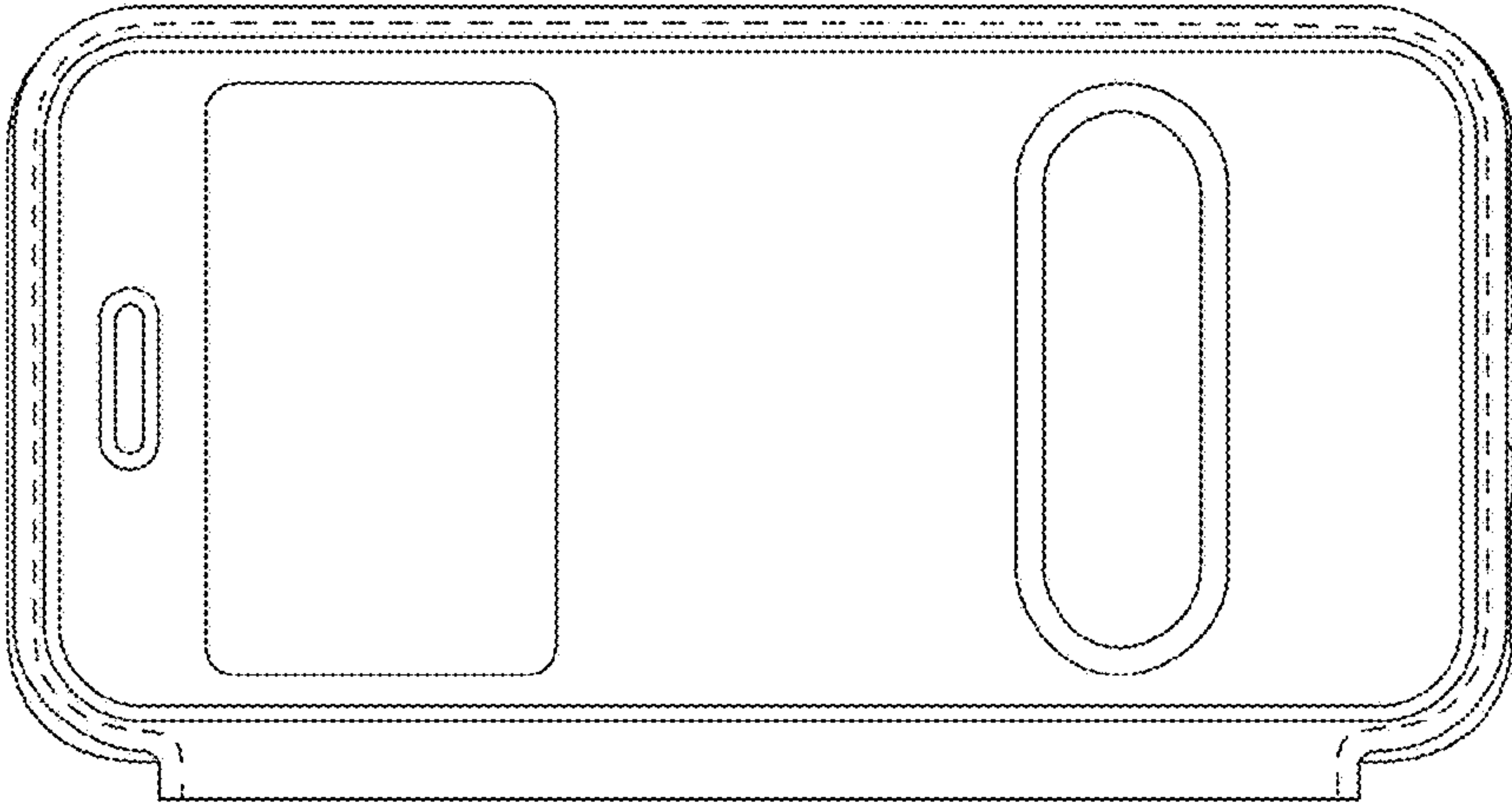


FIG. 1

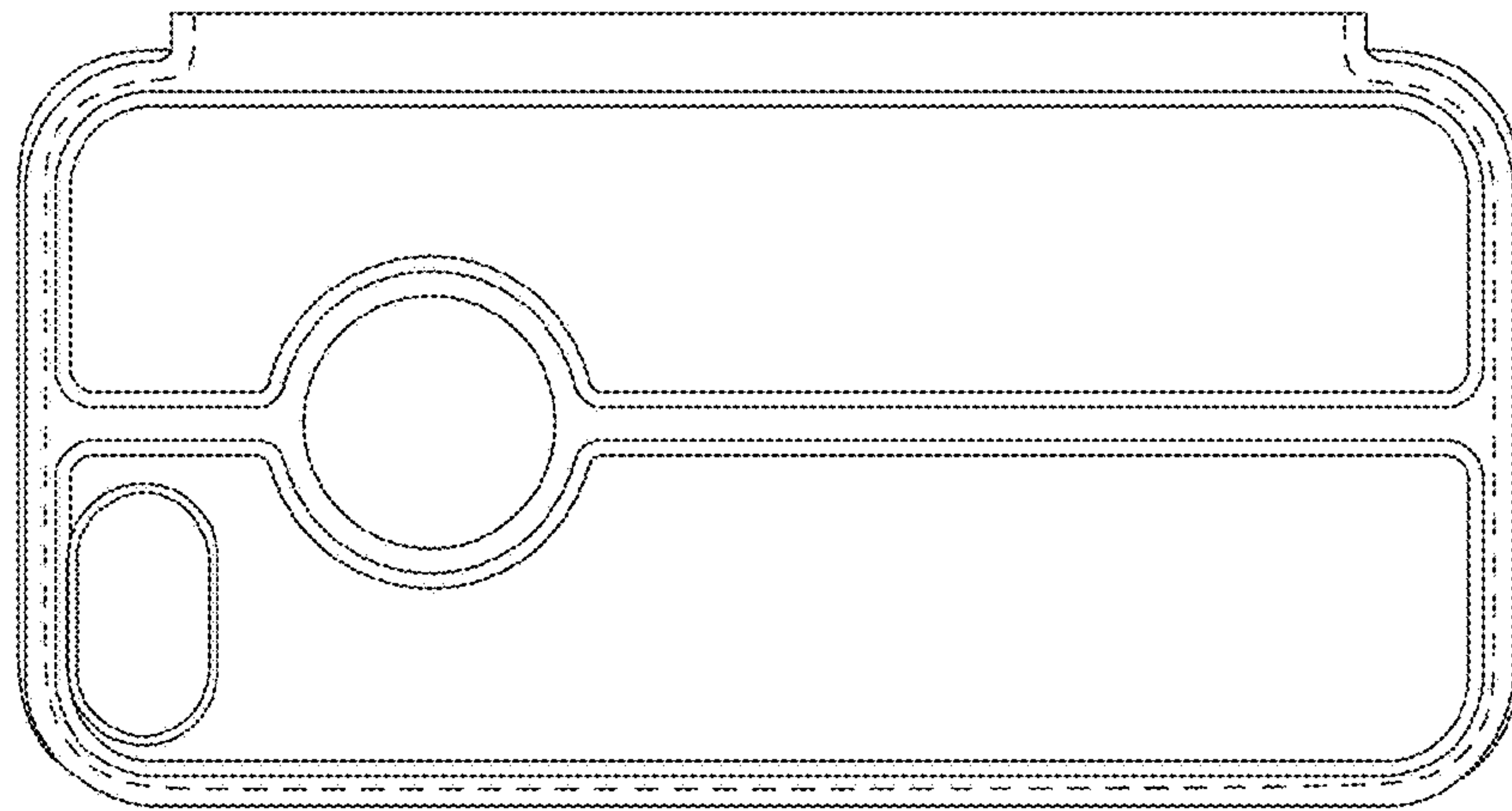


FIG. 2

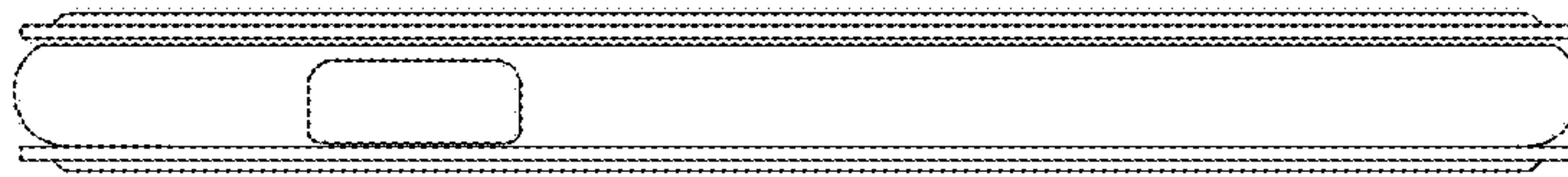


FIG. 4



FIG. 3



FIG. 5

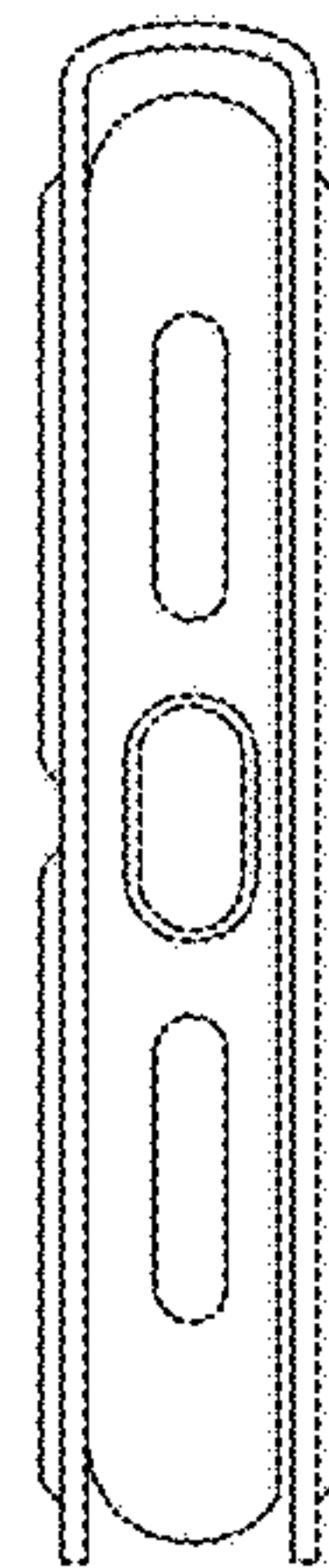


FIG. 6

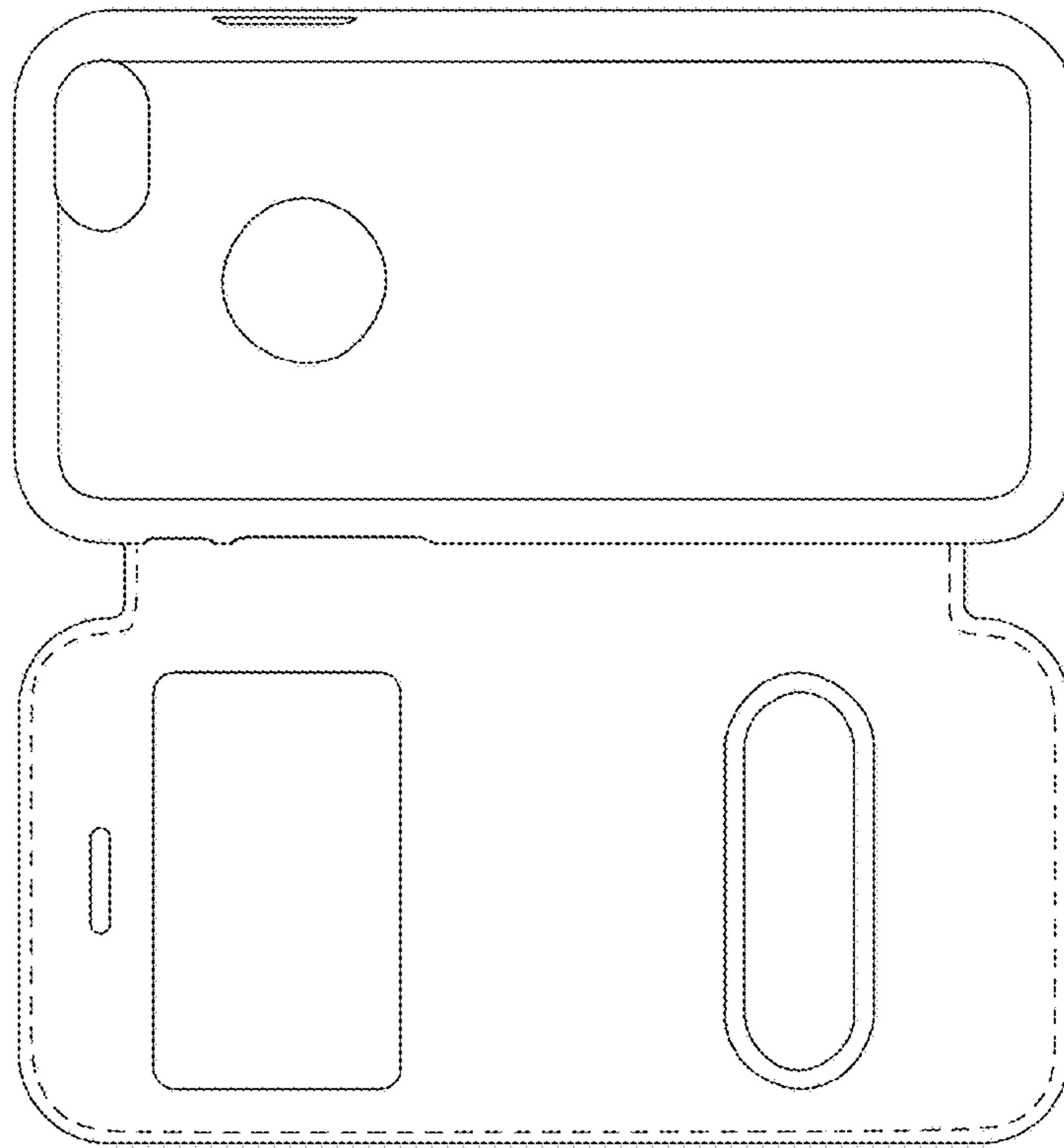


FIG. 7

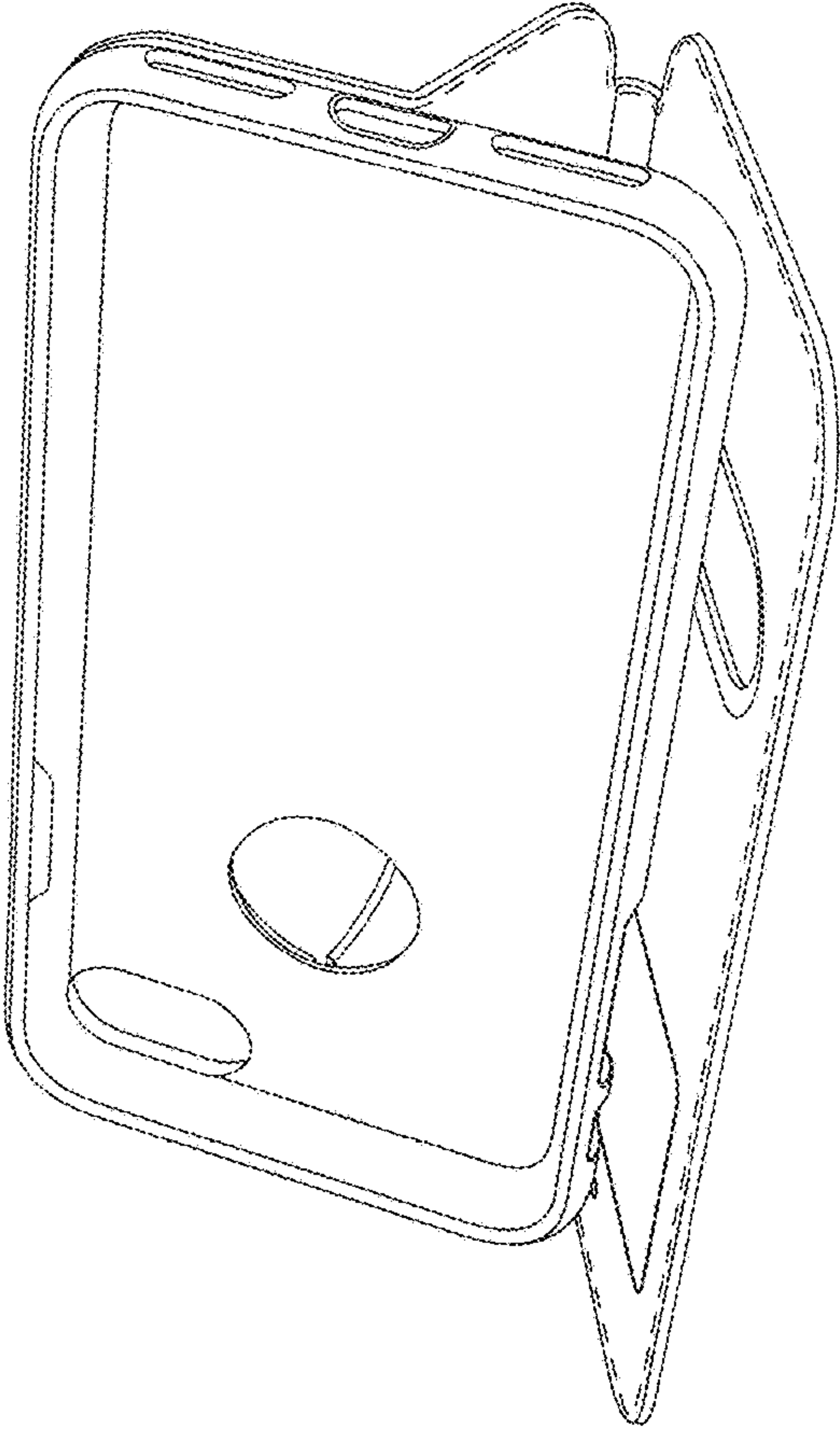


FIG. 8

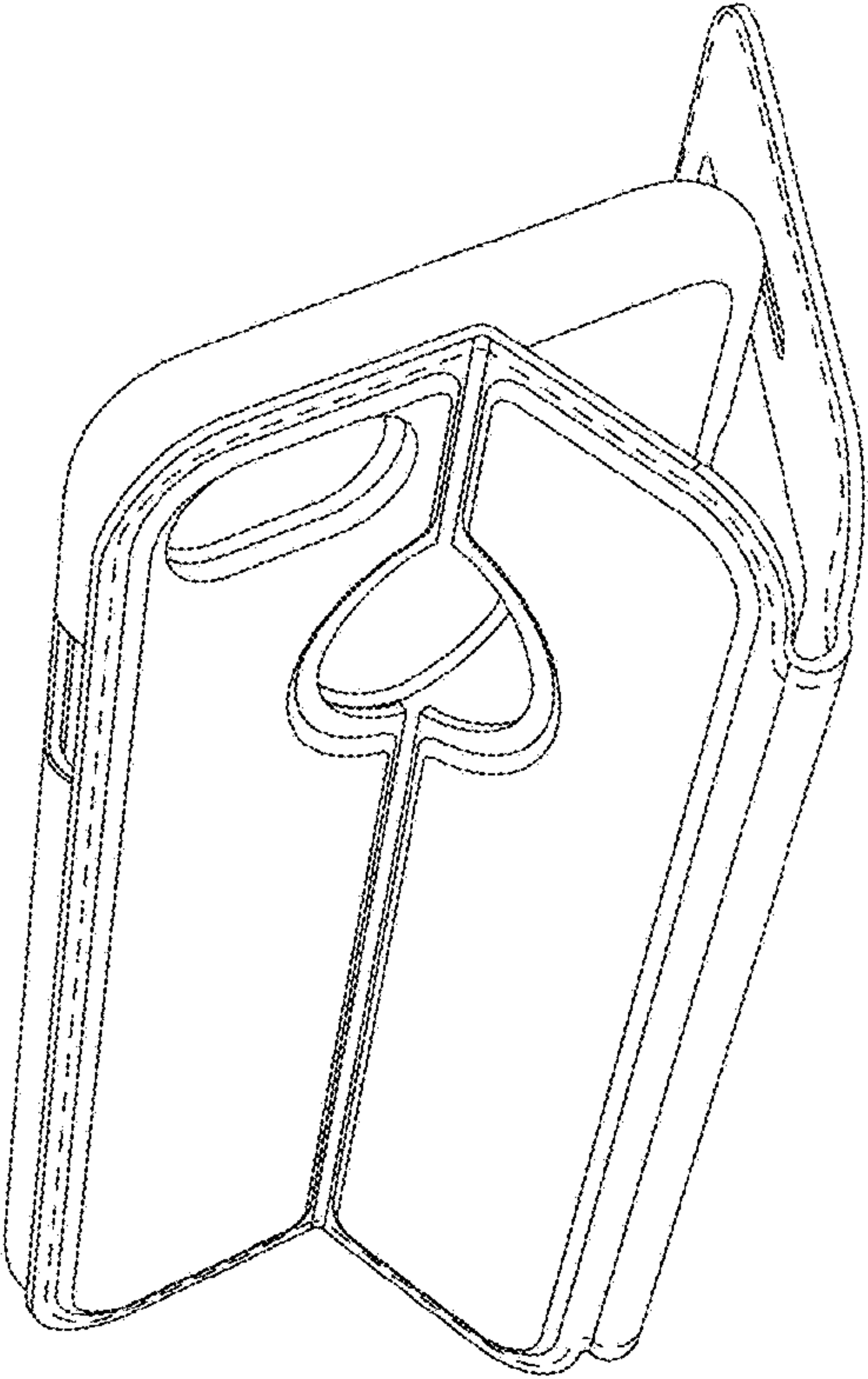


FIG. 9

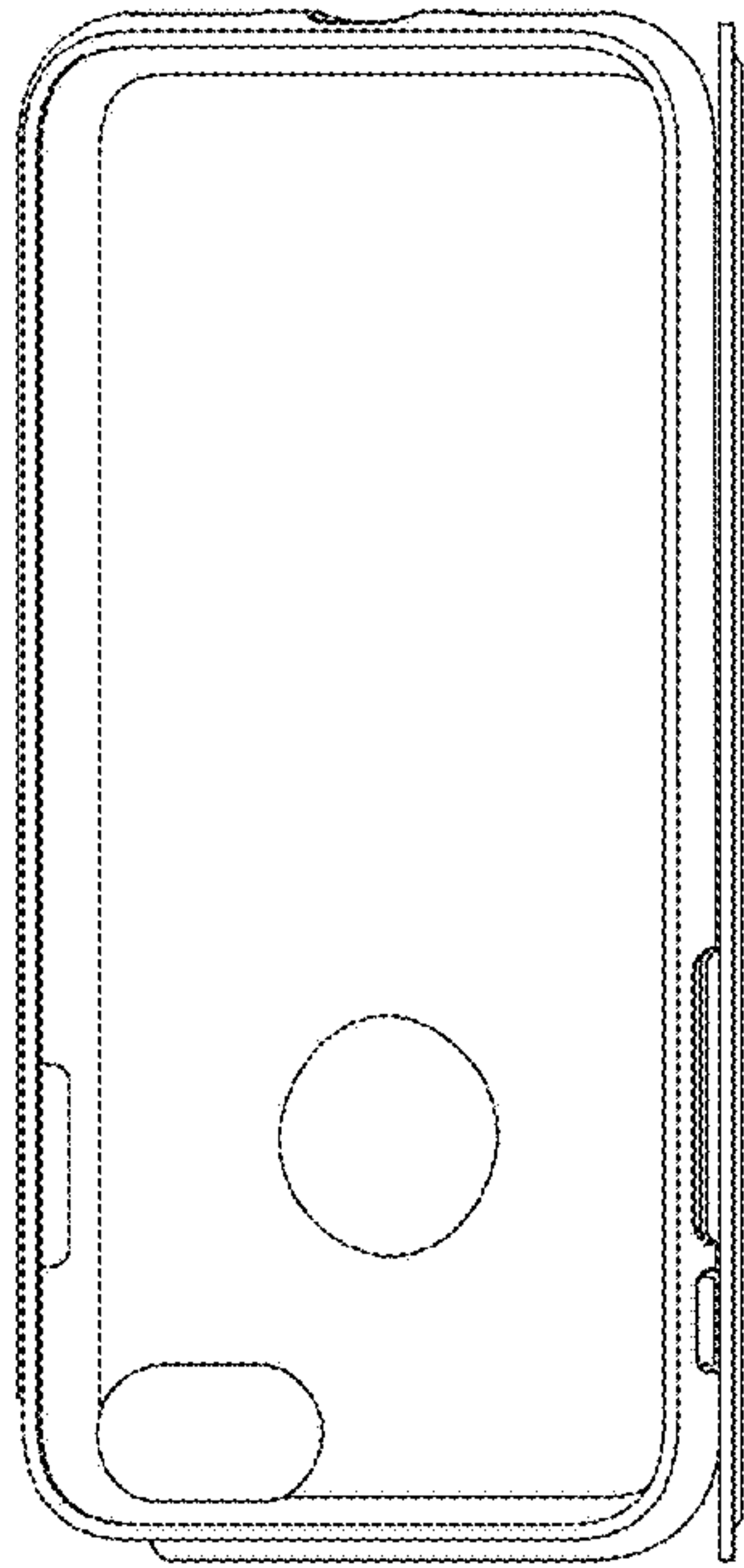


FIG. 10

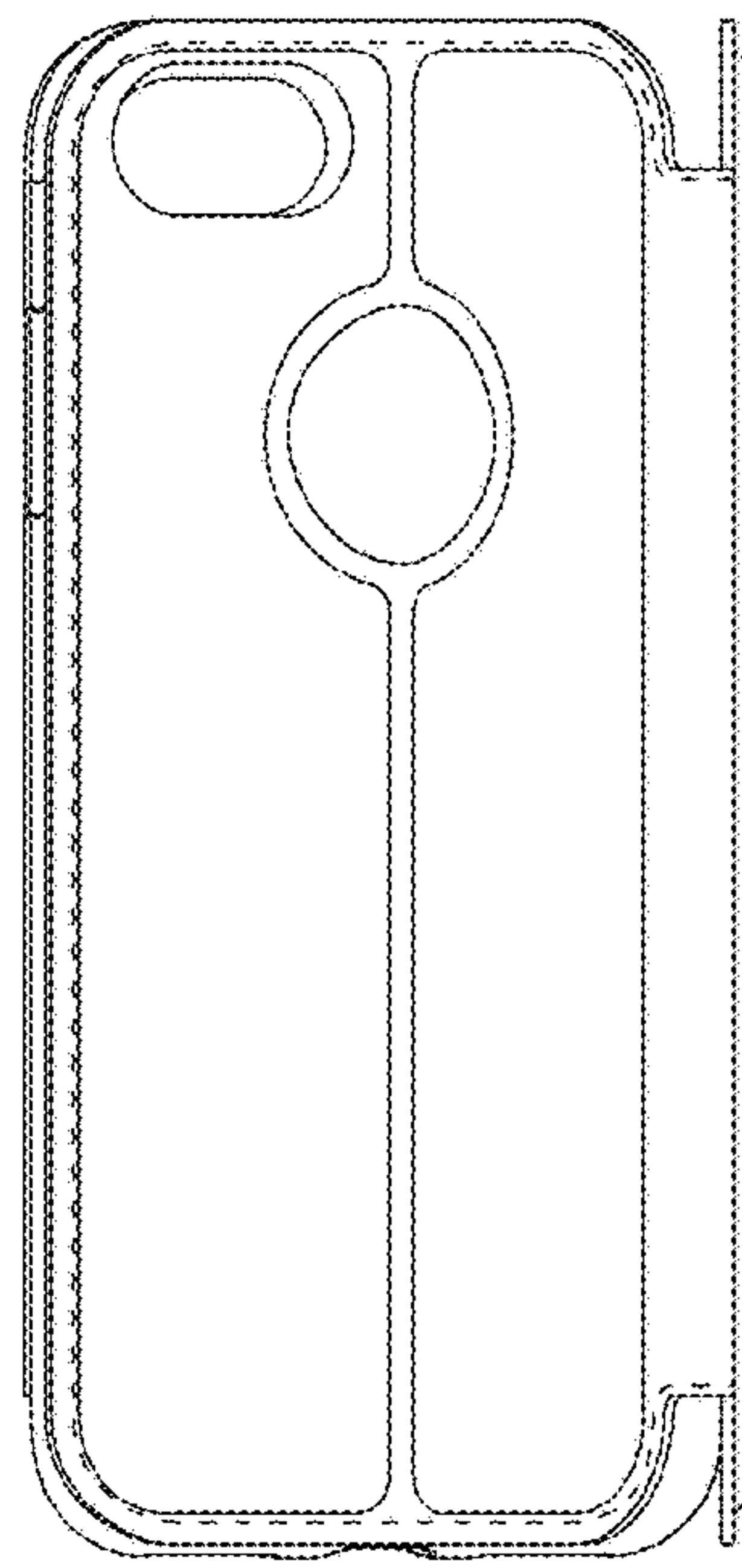


FIG. 11

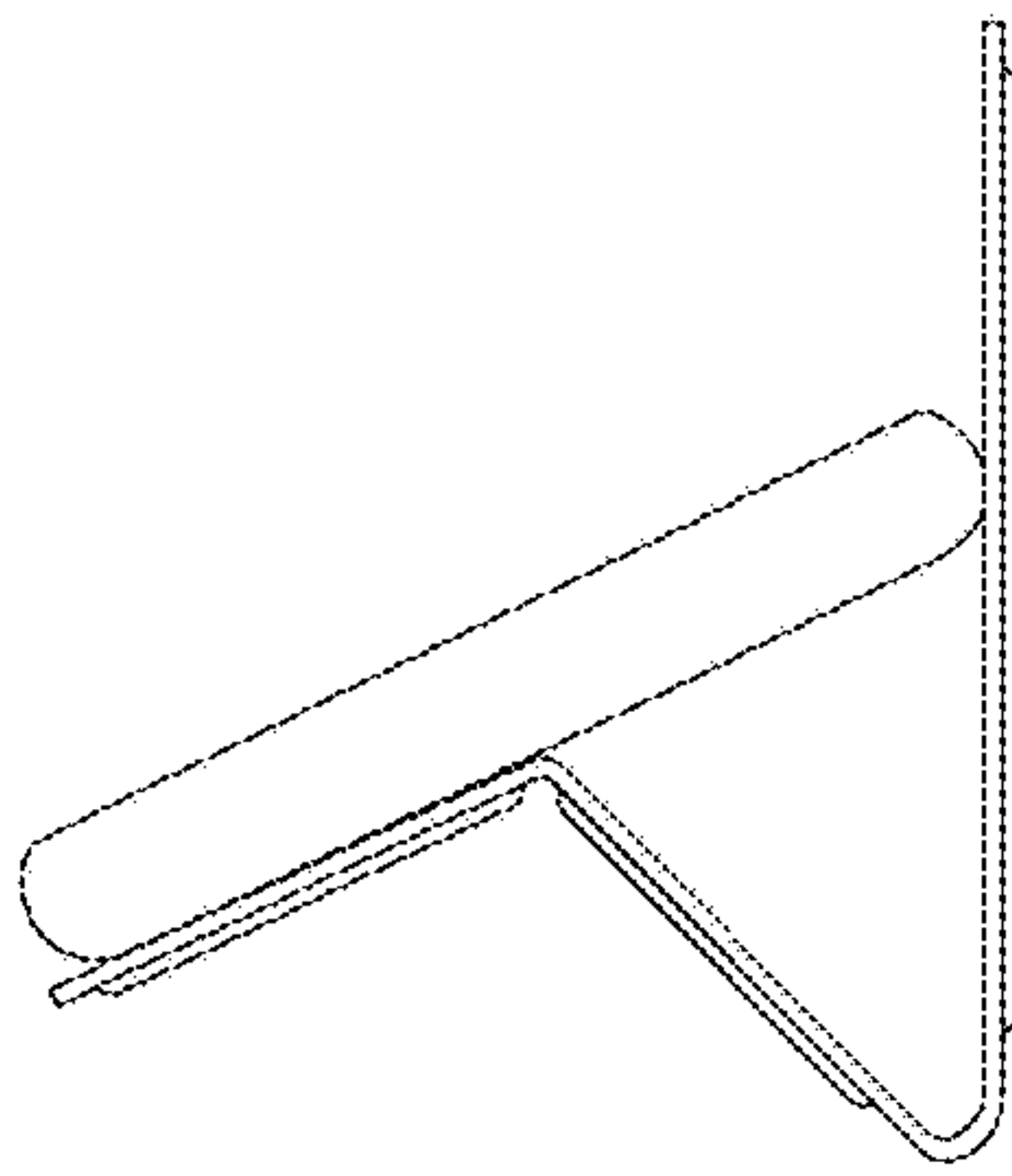


FIG. 12

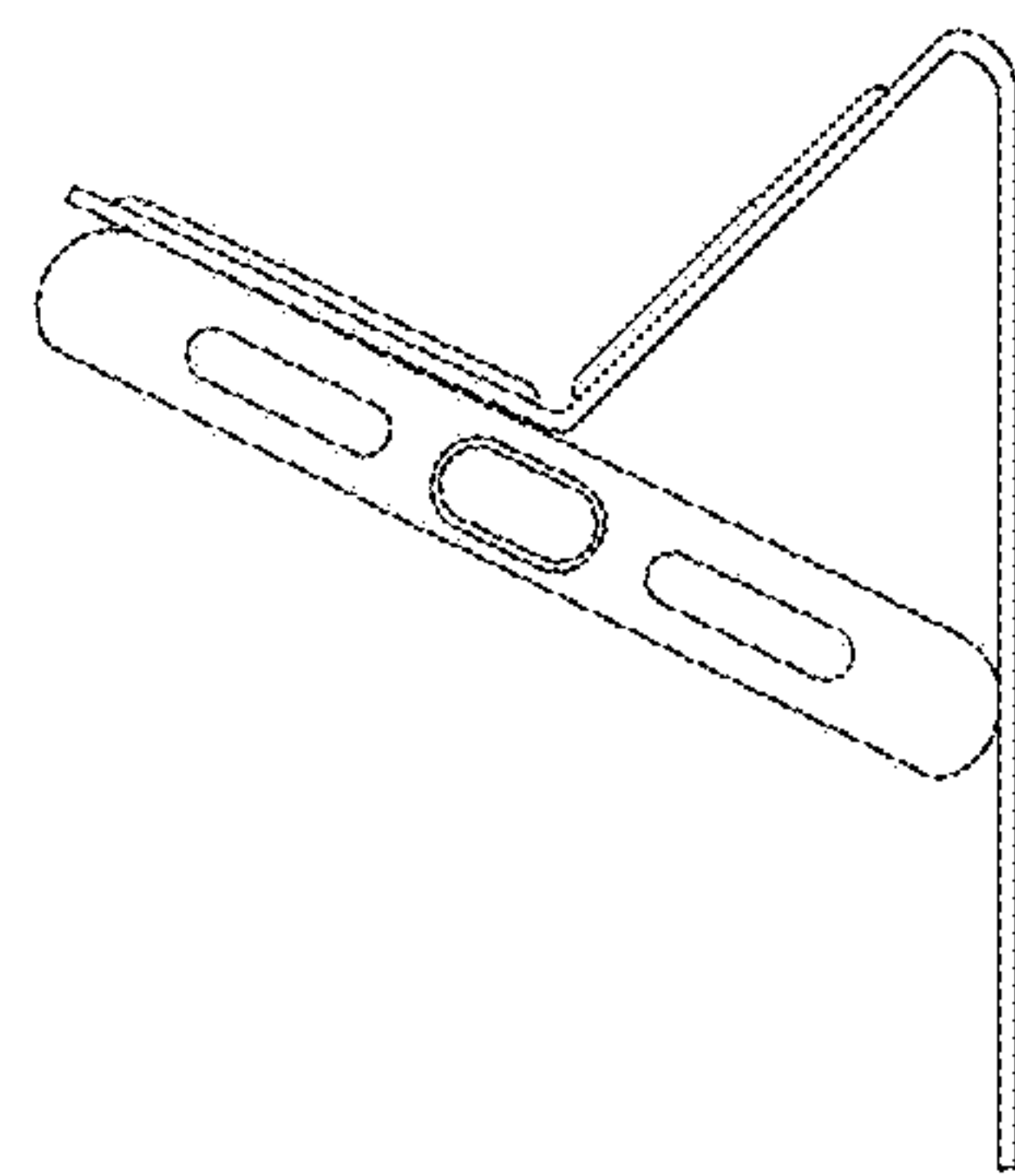


FIG. 13

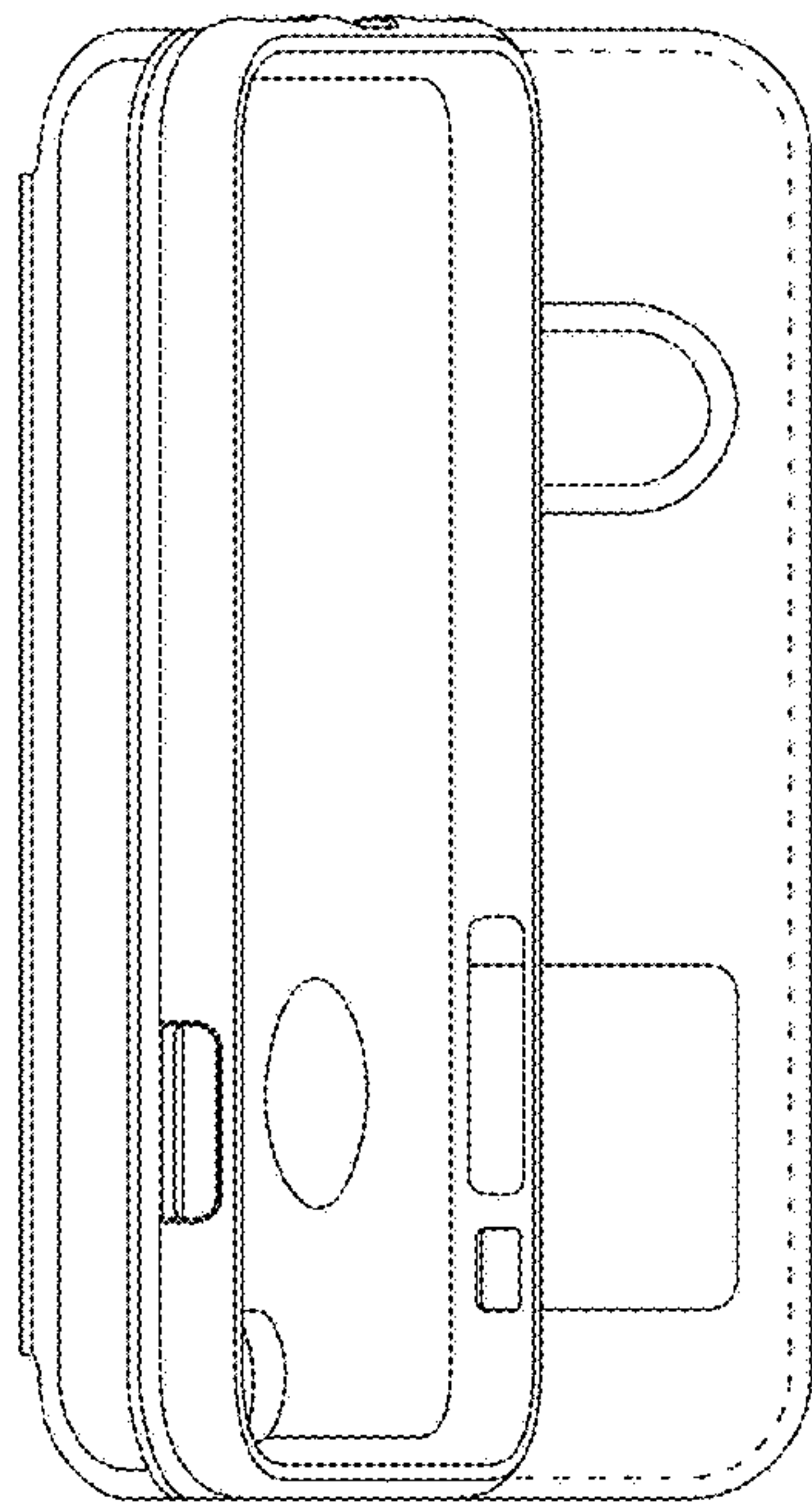


FIG. 14

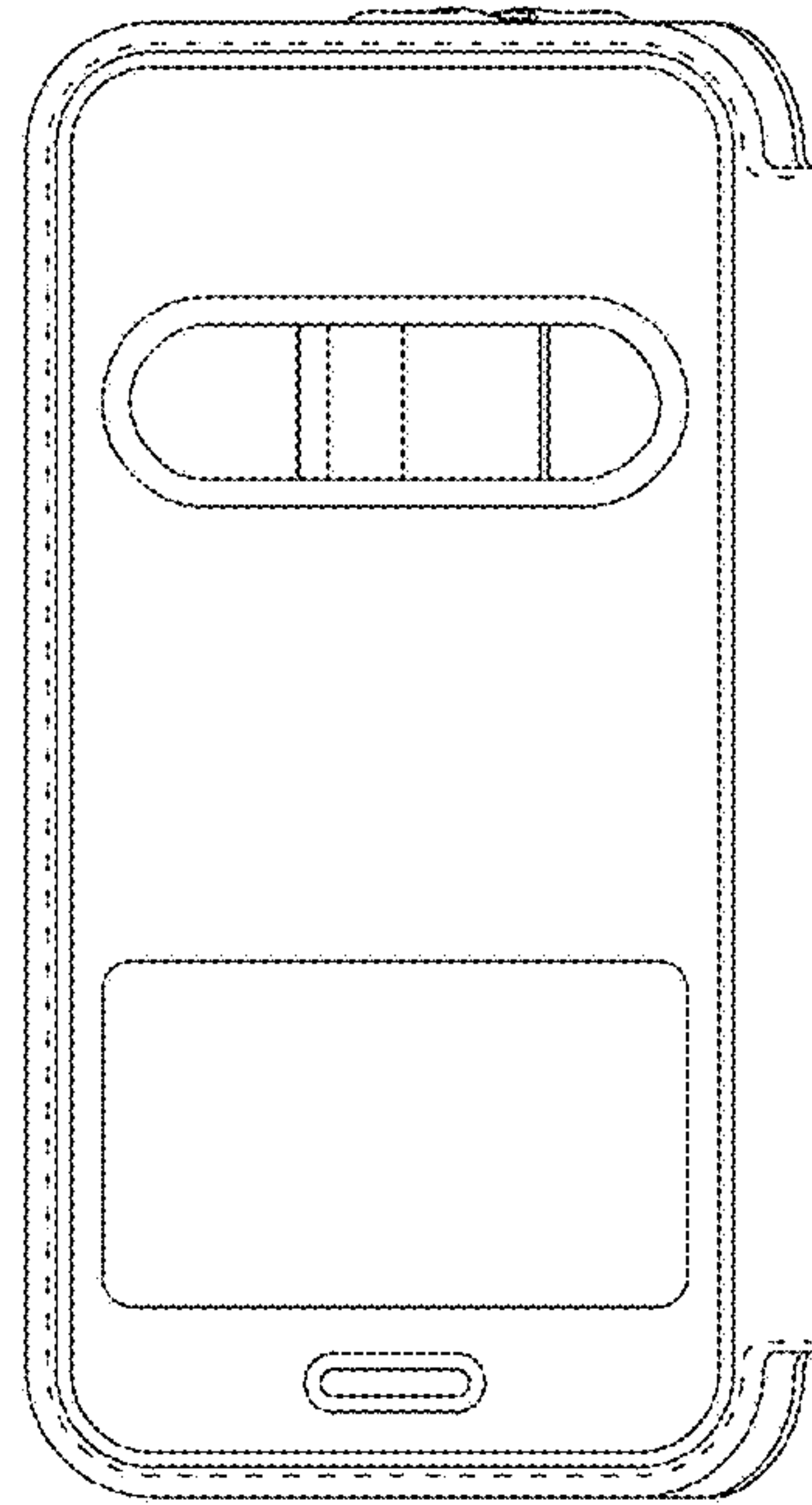


FIG. 15