



US00D848406S

(12) **United States Design Patent** (10) **Patent No.:** **US D848,406 S**
Pera et al. (45) **Date of Patent:** **** May 14, 2019**

(54) **HOME WIRELESS NETWORK BASE UNIT**

(71) Applicant: **Ubiquiti Networks, Inc.**, New York, NY (US)

(72) Inventors: **Robert J. Pera**, Seattle, WA (US);
Tsung Hwa Yang, Taipei (TW);
Ming-Tsung Su, Taipei (TW)

(73) Assignee: **Ubiquiti Networks, Inc.**, New York, NY (US)

(**) Term: **15 Years**

(21) Appl. No.: **29/605,979**

(22) Filed: **May 31, 2017**

(51) **LOC (11) Cl.** **14-03**

(52) **U.S. Cl.**
USPC **D14/242**

(58) **Field of Classification Search**
USPC D14/242, 240, 355, 357, 358, 125,
D14/140-140.9, 155, 137, 139, 243, 239,
D14/433, 496, 188, 348, 351, 356, 251
(Continued)

(56) **References Cited**

U.S. PATENT DOCUMENTS

D458,911 S * 6/2002 Kataoka D14/129
D526,640 S * 8/2006 Chin D14/188
(Continued)

FOREIGN PATENT DOCUMENTS

EM 004527737-0001 * 12/2017
EM 004527737-0002 * 12/2017
IN 286001-0001 * 9/2017

OTHER PUBLICATIONS

Trademark Electronic Search System. Ubiquiti Networks serial No. 86979828, filed May 13, 2014.*

(Continued)

Primary Examiner — Thomas Johannes

Assistant Examiner — Lauren D McVey

(74) *Attorney, Agent, or Firm* — Shay Glenn LLP

(57) **CLAIM**

The ornamental design of a home wireless network base unit, as shown and described.

DESCRIPTION

The “U” lettering and icon forming part of the disclosure is a registered trademark of Ubiquiti Networks, Inc.

FIG. 1 is a front perspective view of a home wireless base network unit in accordance with the present invention;

FIG. 2 is a front elevation view thereof;

FIG. 3 is a right side elevation view thereof, the left side view being a mirror image thereof;

FIG. 4 is a rear elevation view thereof;

FIG. 5 is a top plan view thereof;

FIG. 6 is a bottom plan view thereof;

FIG. 7 is a rear perspective view of a first embodiment thereof;

FIG. 8 is a second front perspective view of a first embodiment thereof with a second environment;

FIG. 9 is a front elevation view thereof;

FIG. 10 is a third front perspective view of a first embodiment thereof with a third environment;

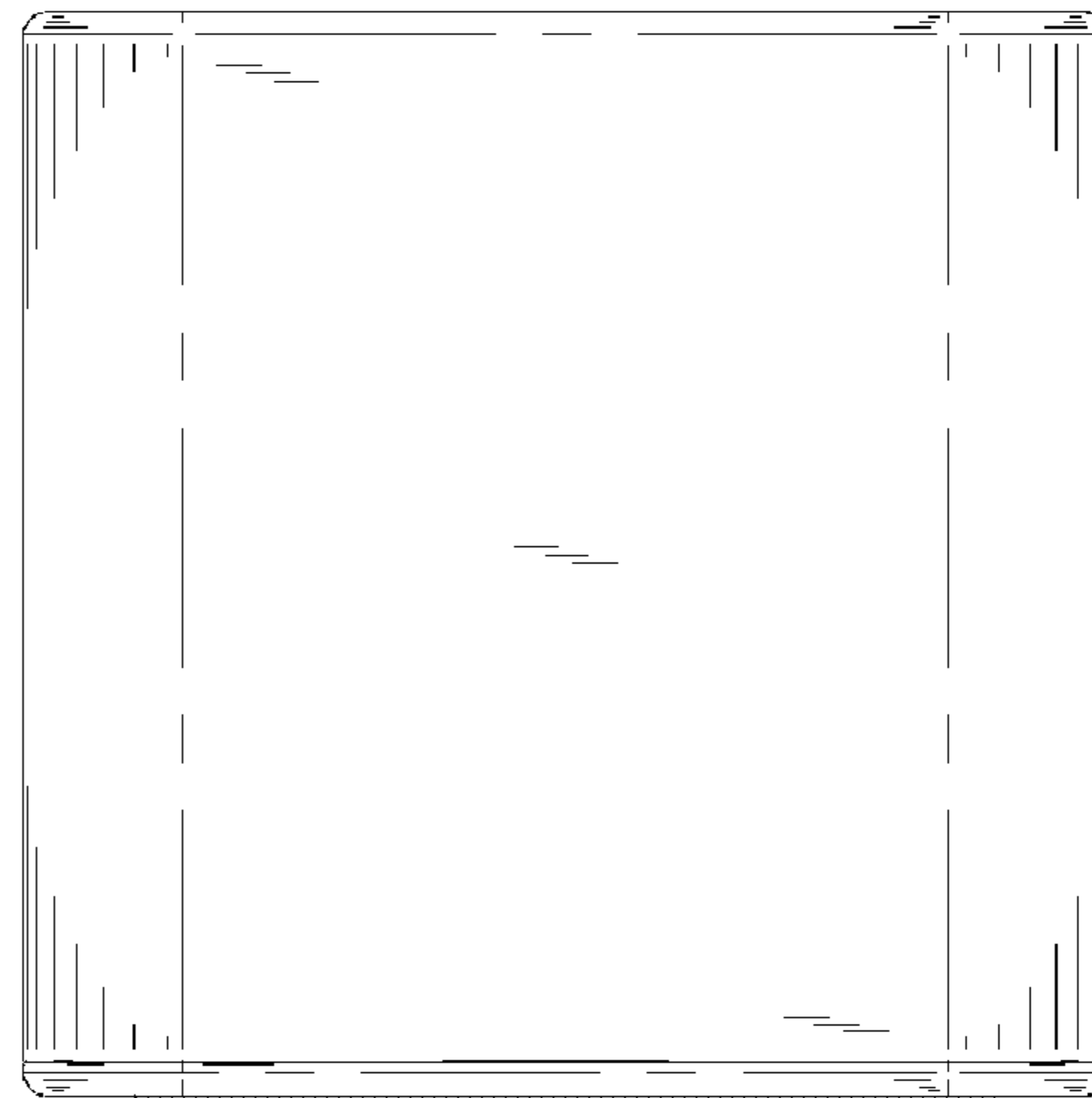
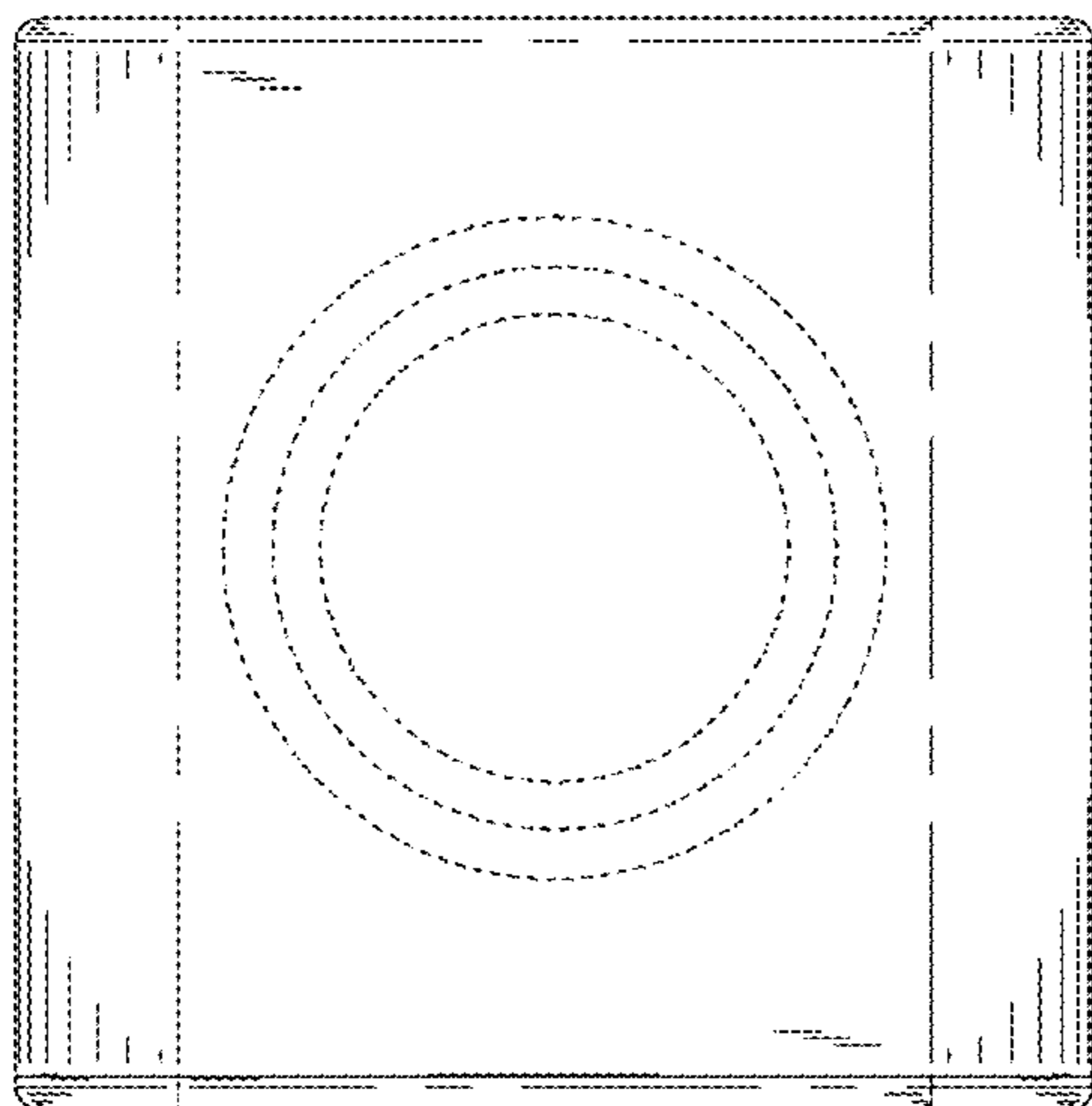
FIG. 11 is another front elevation view of a first embodiment thereof with a fourth environment;

FIG. 12 is a front perspective view of a second embodiment of a home wireless network base unit, the right side, left side, rear, top plan, and bottom plan views being identical to the views shown in FIGS. 3, 4, 5, and 6, respectively; and,

FIG. 13 is a front elevation view thereof.

The broken lines immediately adjacent the shaded areas at the rear and bottom surfaces represent the bounds of the claimed design, while all other broken lines are directed to environment; the broken lines form no part of the claimed design.

1 Claim, 13 Drawing Sheets



(58) **Field of Classification Search**

CPC H04L 12/00; H03K 17/00; H04W 88/00;
H04W 88/005; H04W 88/02; H04W
88/08; H04W 88/085; H04W 88/10;
H04W 88/12; H04W 88/14; H04B 1/38;
H04M 1/04; H04M 1/05

See application file for complete search history.

(56) **References Cited**

U.S. PATENT DOCUMENTS

D561,168	S	*	2/2008	Song	D14/188
D587,239	S	*	2/2009	Raisanen	D14/188
D664,122	S	*	7/2012	Cho	D14/215
D680,097	S	*	4/2013	Davies	D14/204
D690,280	S	*	9/2013	Schul	D14/168
D725,075	S	*	3/2015	Wong	D14/215
D738,870	S	*	9/2015	Ding	D14/240
D739,452	S	*	9/2015	Adams	D16/203
D785,365	S	*	5/2017	Newlin	D6/526
D787,513	S	*	5/2017	Basil	D14/365
D804,460	S	*	12/2017	Li	D14/242

OTHER PUBLICATIONS

Musician's Friend. <URL: <http://www.musiciansfriend.com/consumer-electronics/yamaha-nx-a01-cube-style-stereo-speaker>.> May 3, 2011.
Yamaha NX-A01 Cube style Stereo Speaker.*

* cited by examiner

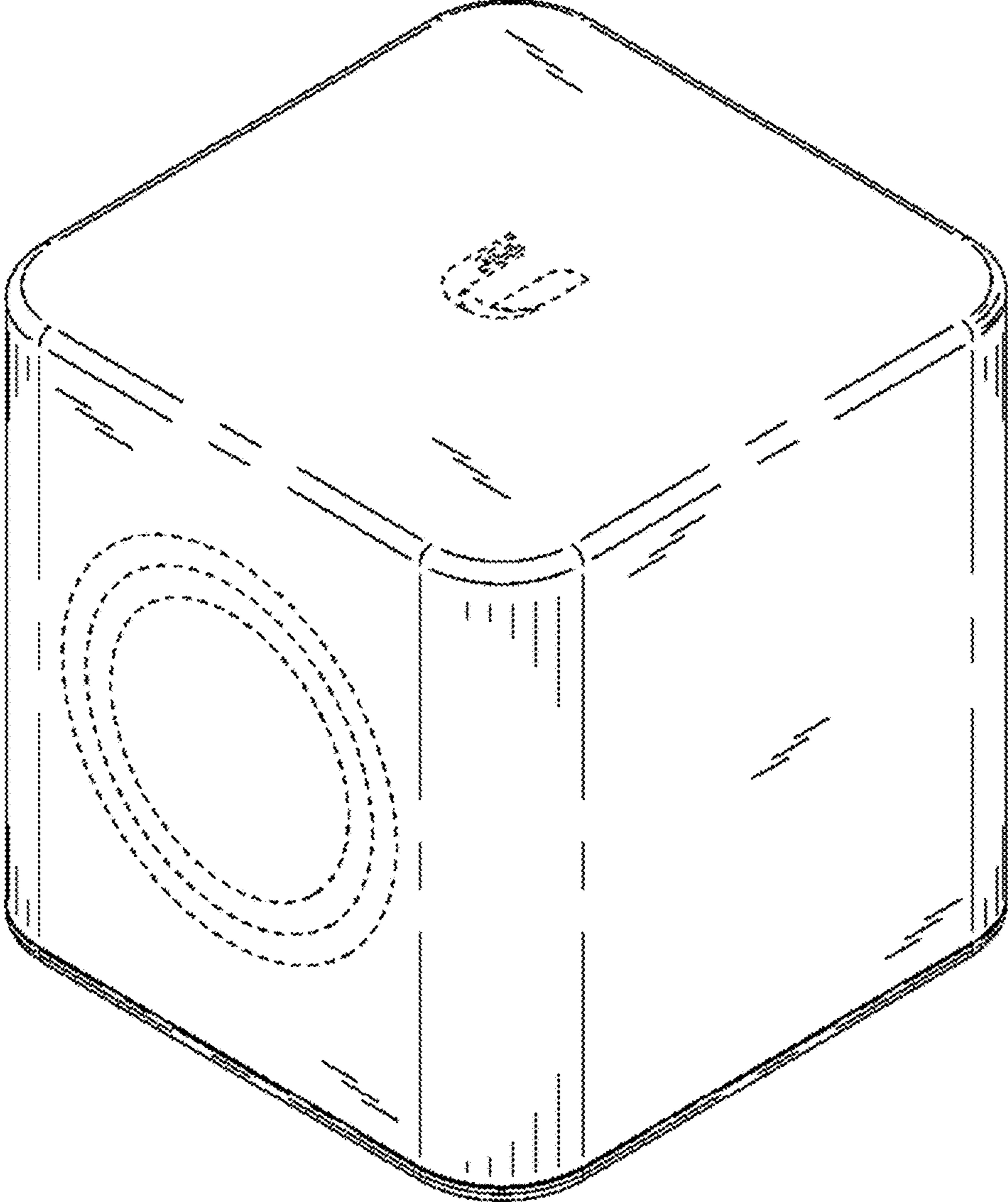


FIG. 1

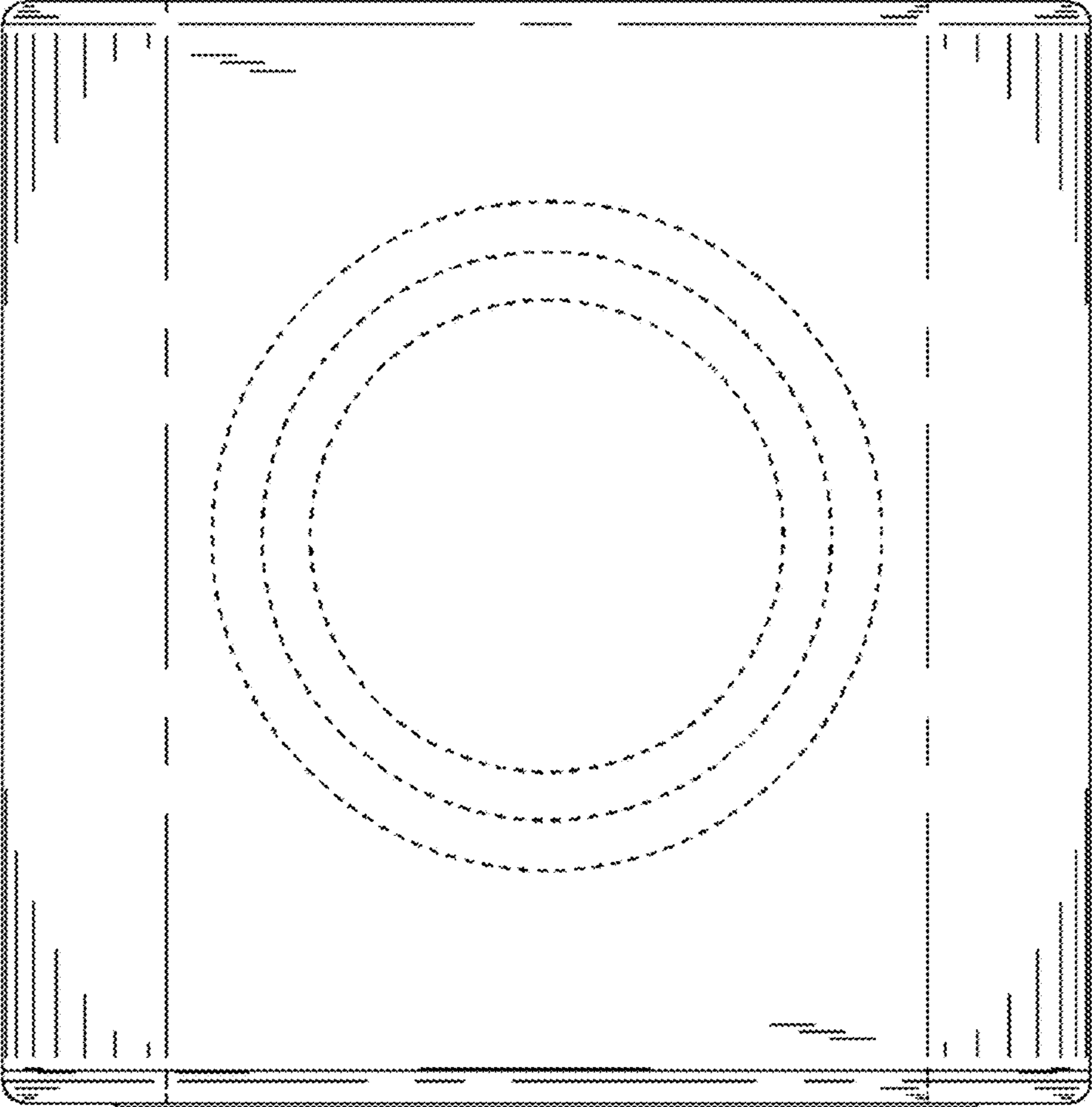


FIG. 2

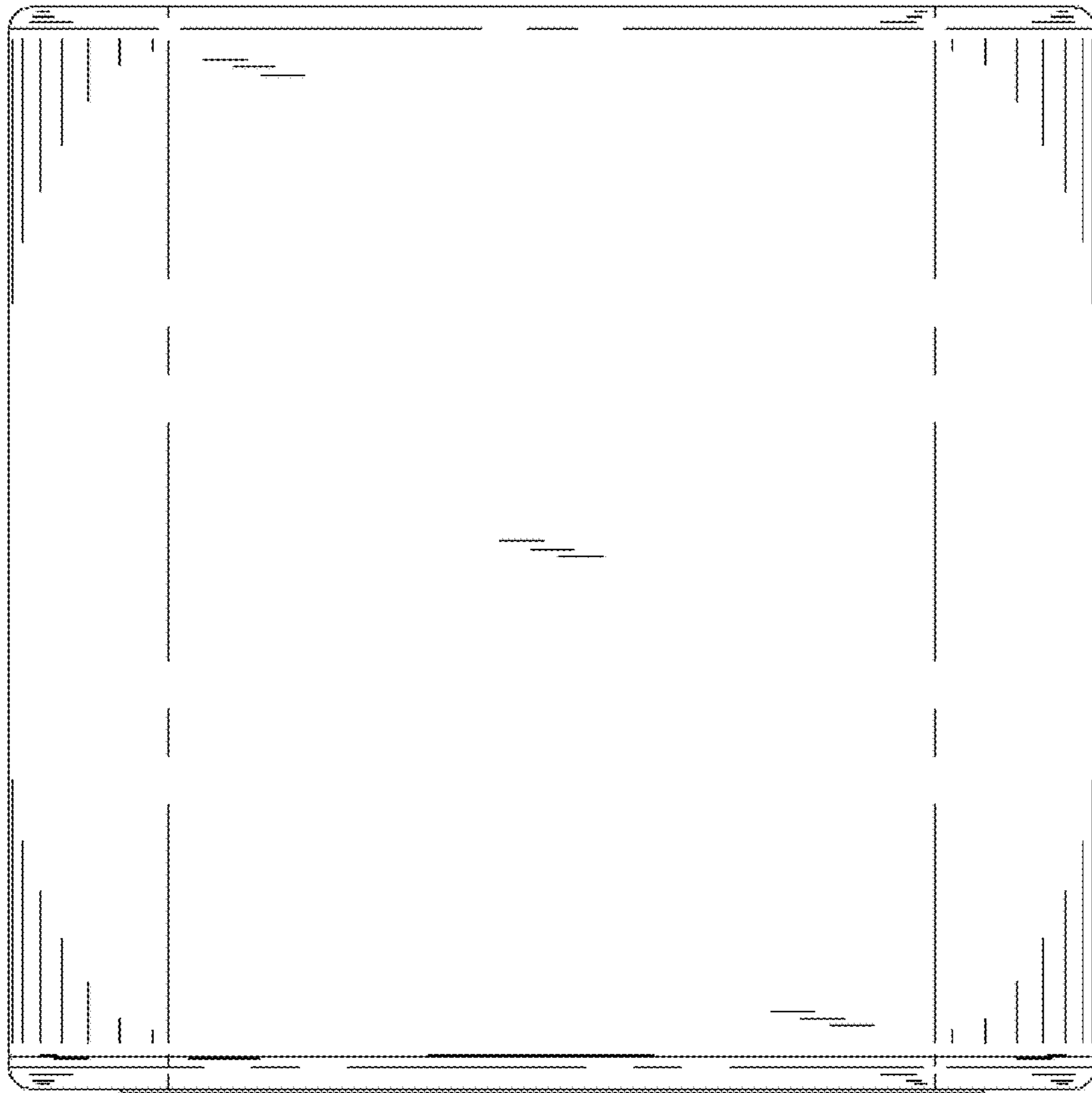


FIG. 3

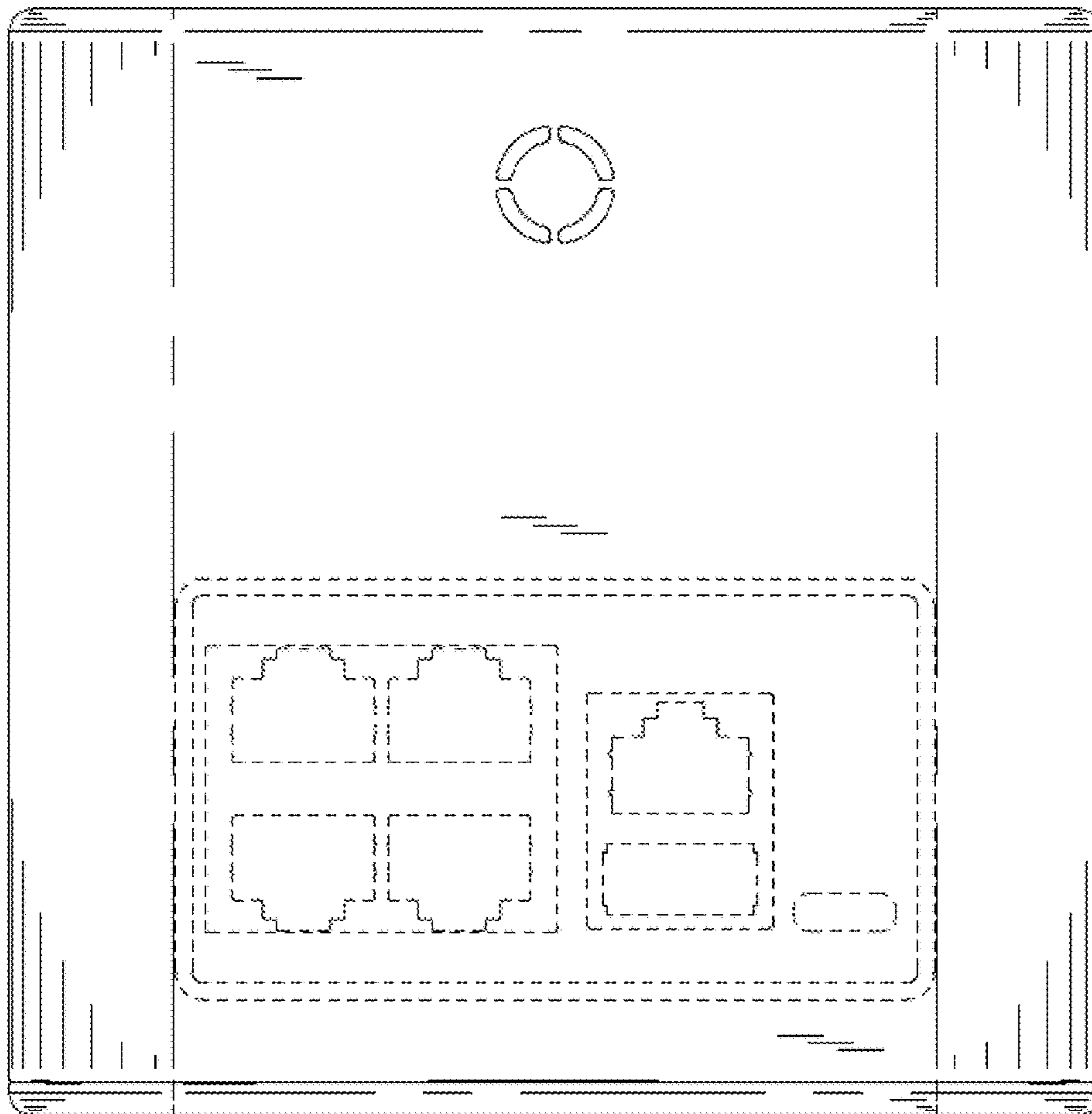


FIG. 4

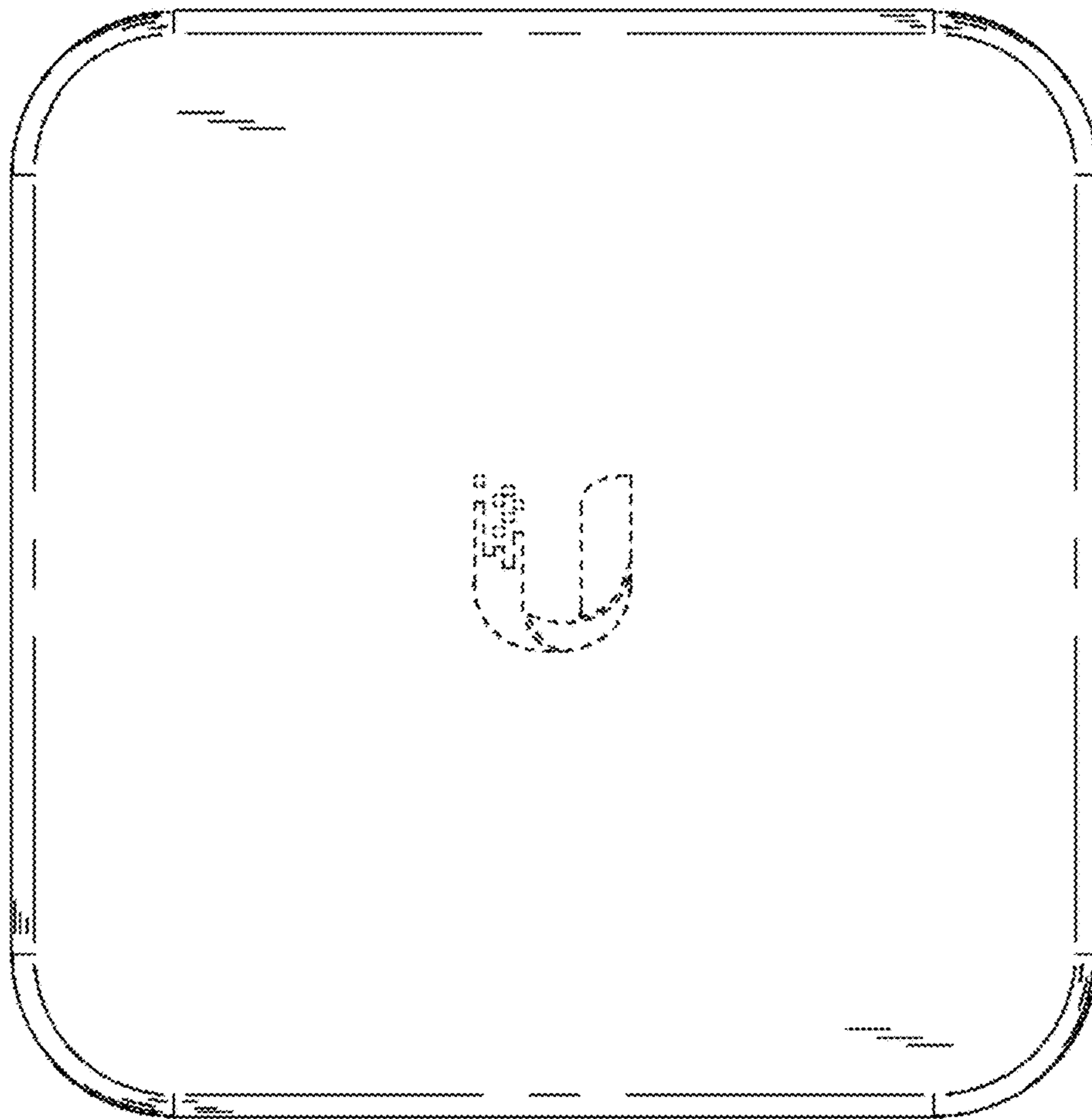


FIG. 5

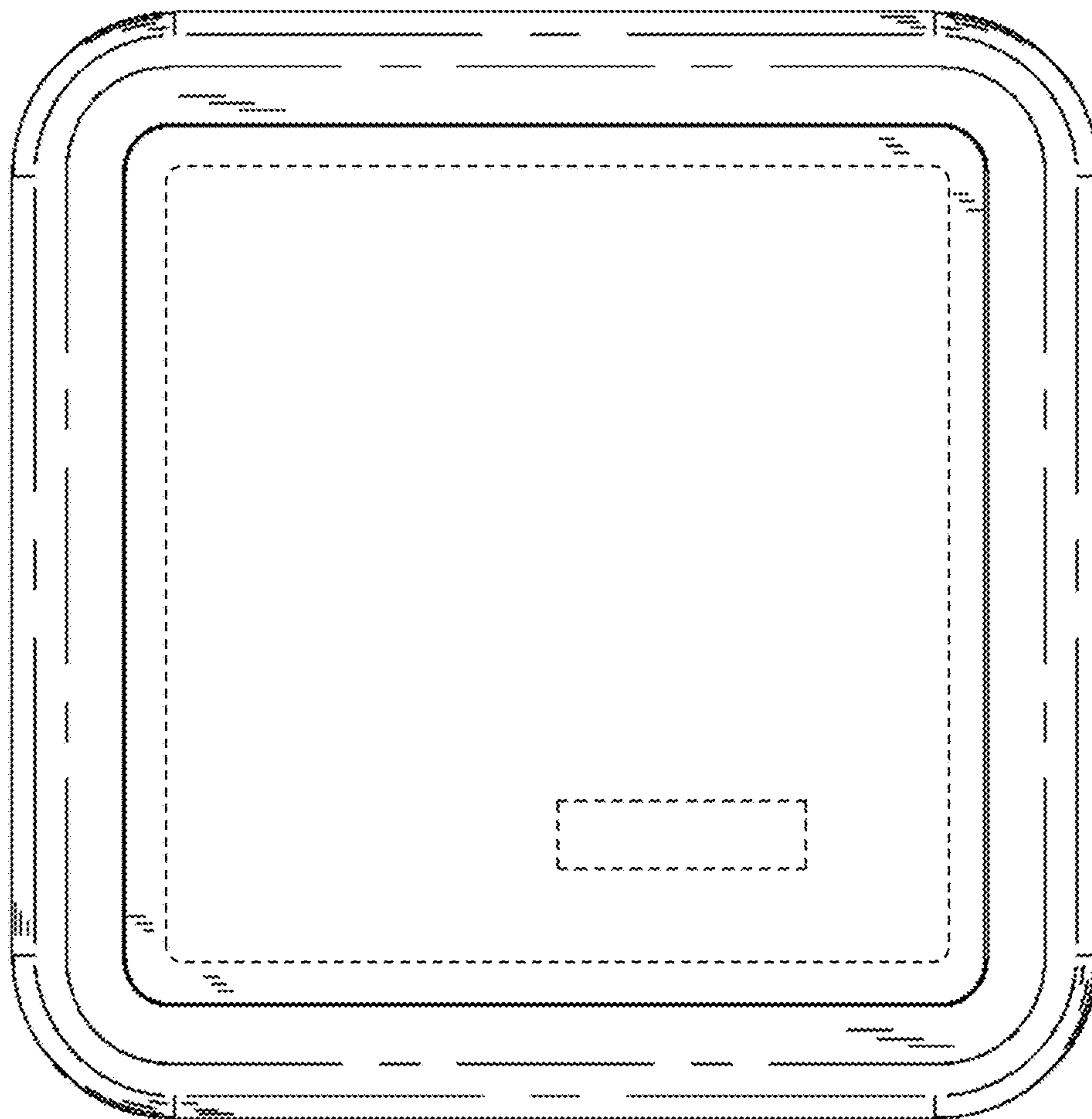


FIG. 6

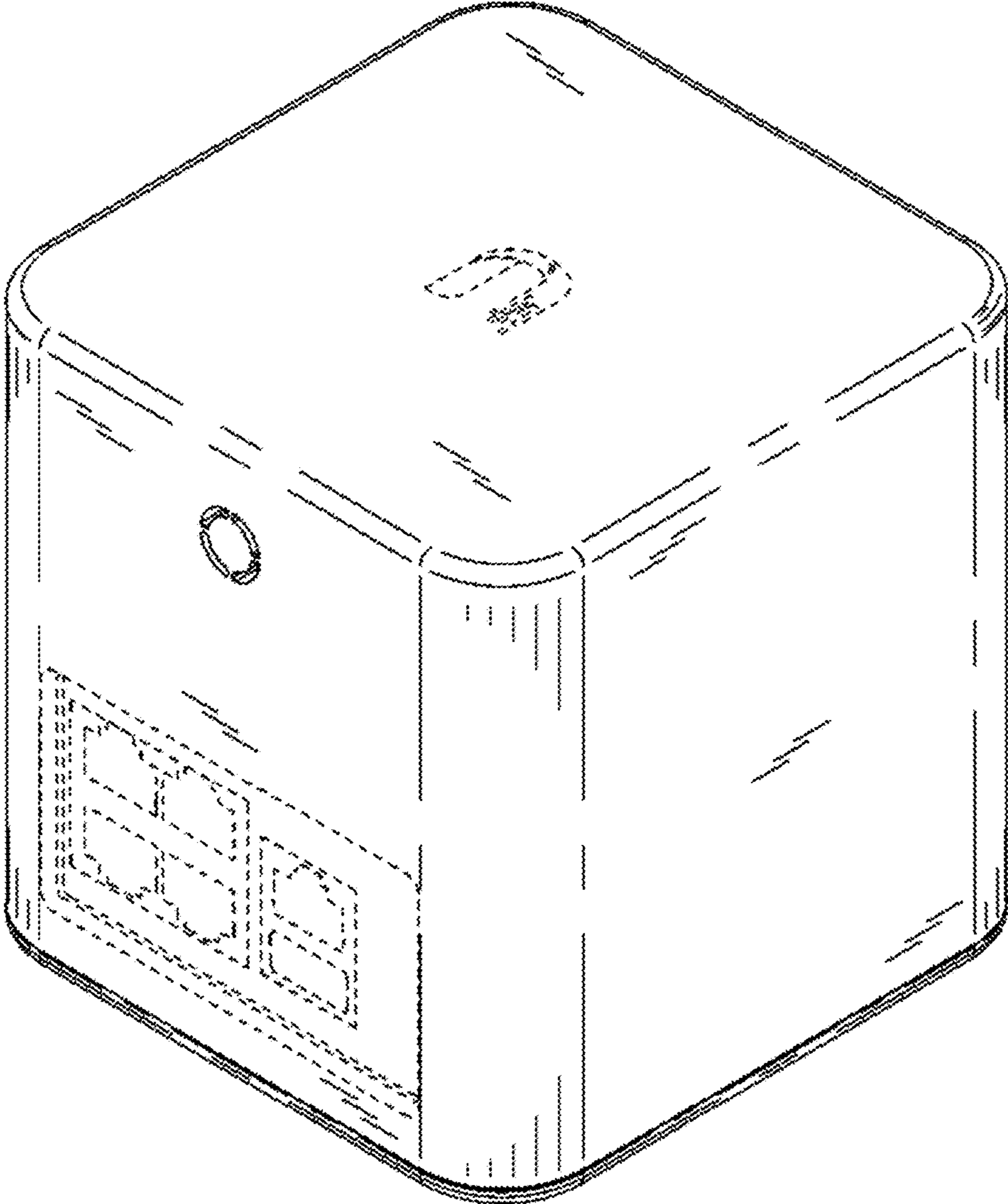


FIG. 7

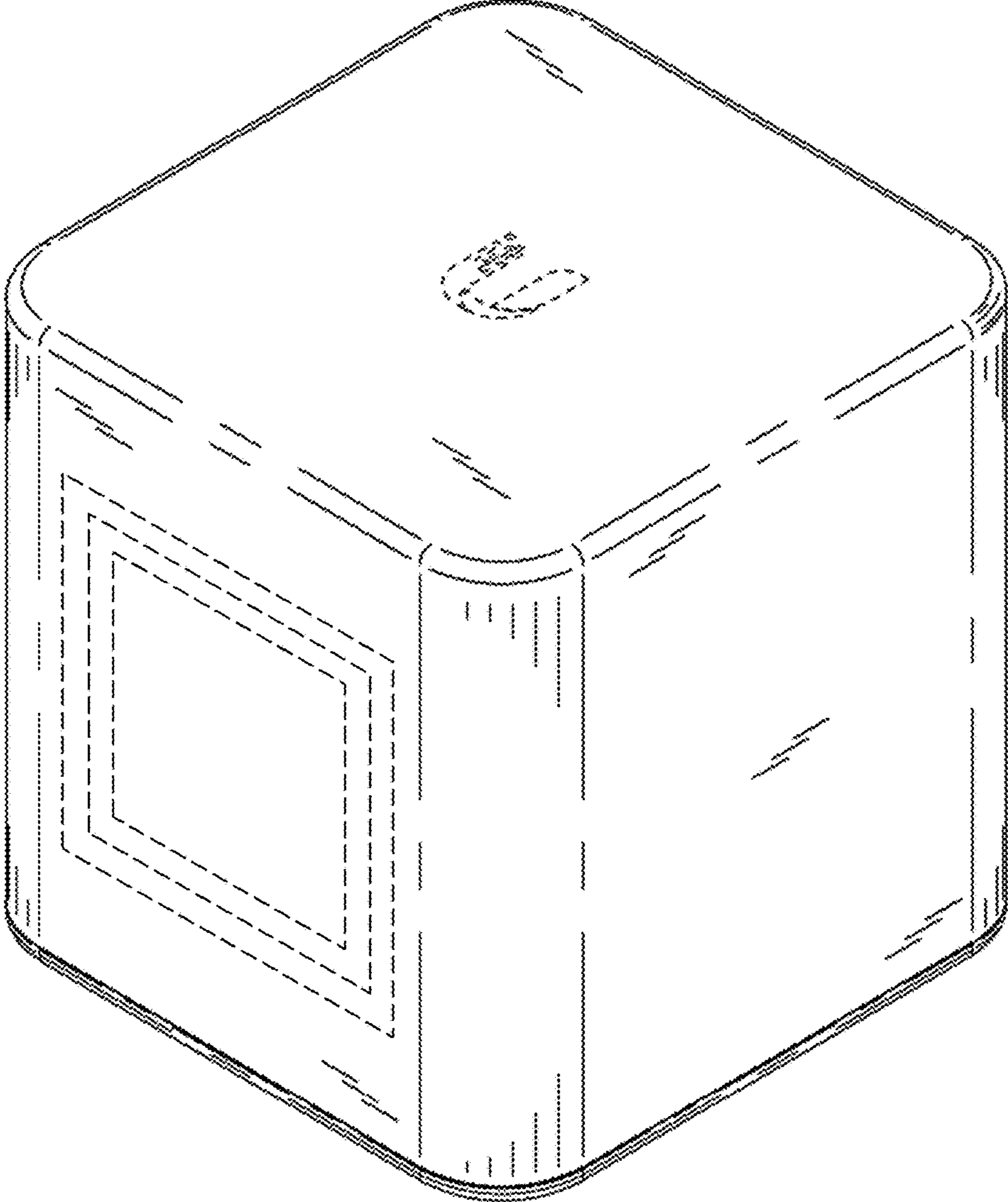


FIG. 8

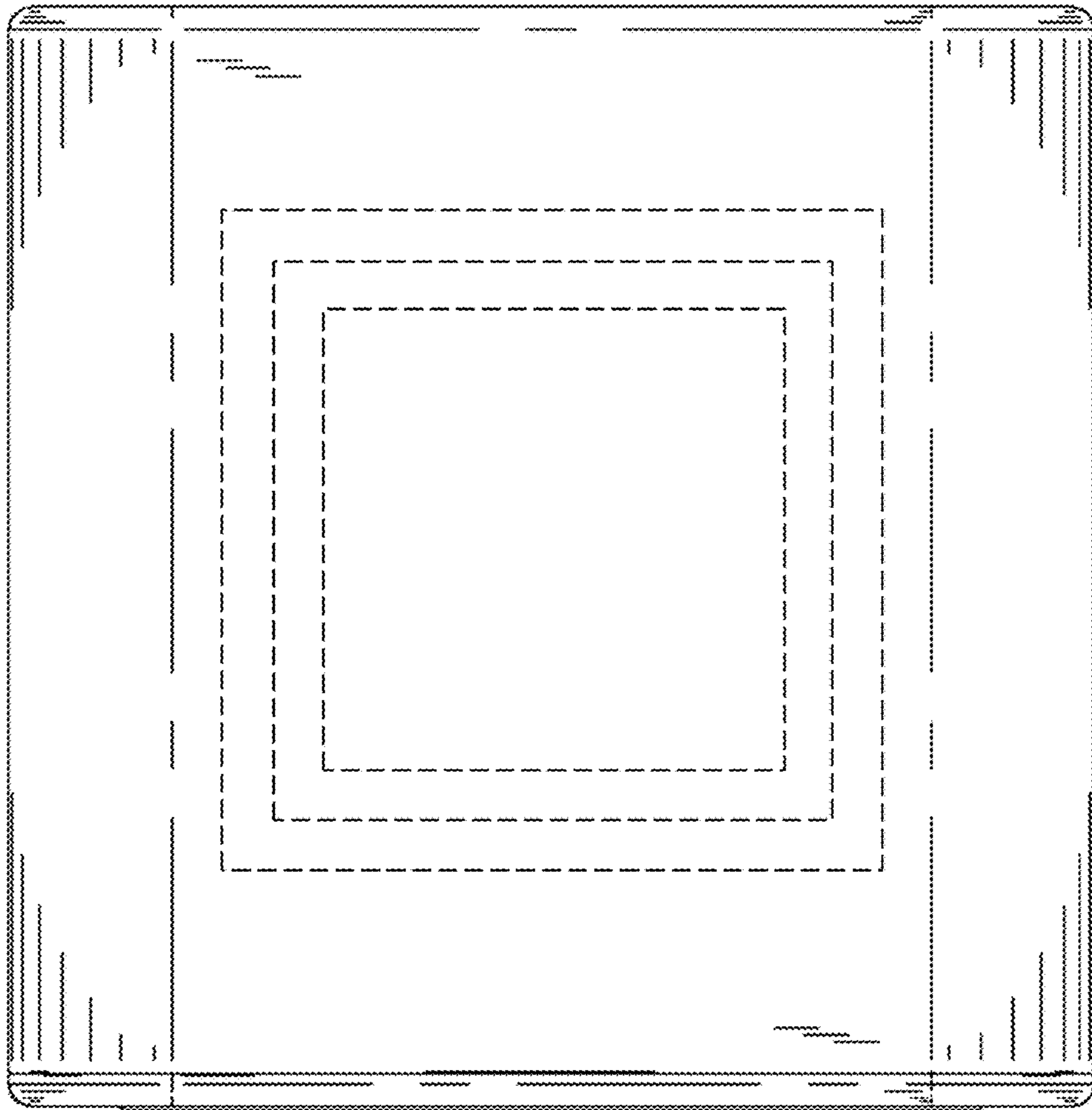


FIG. 9

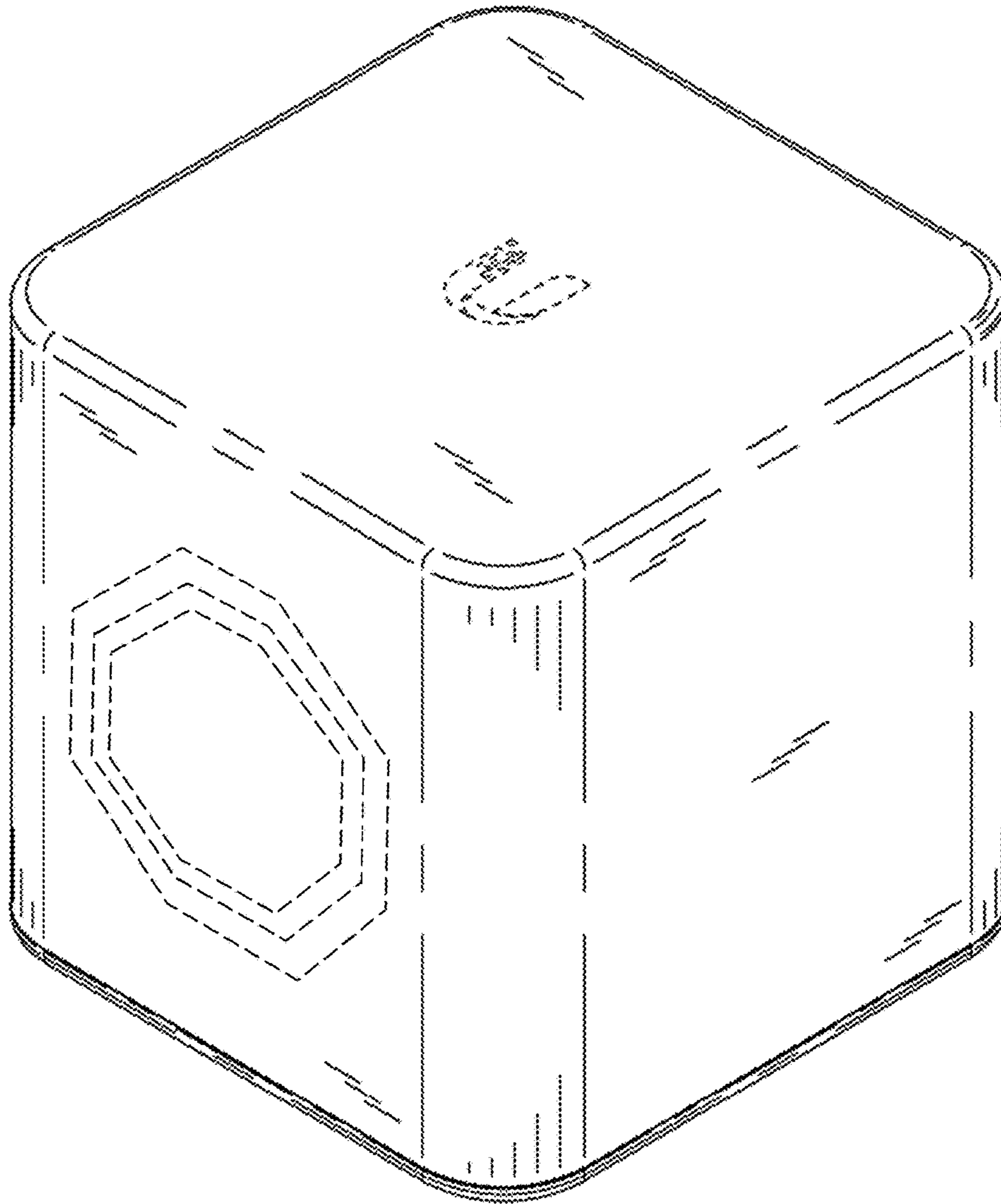


FIG. 10

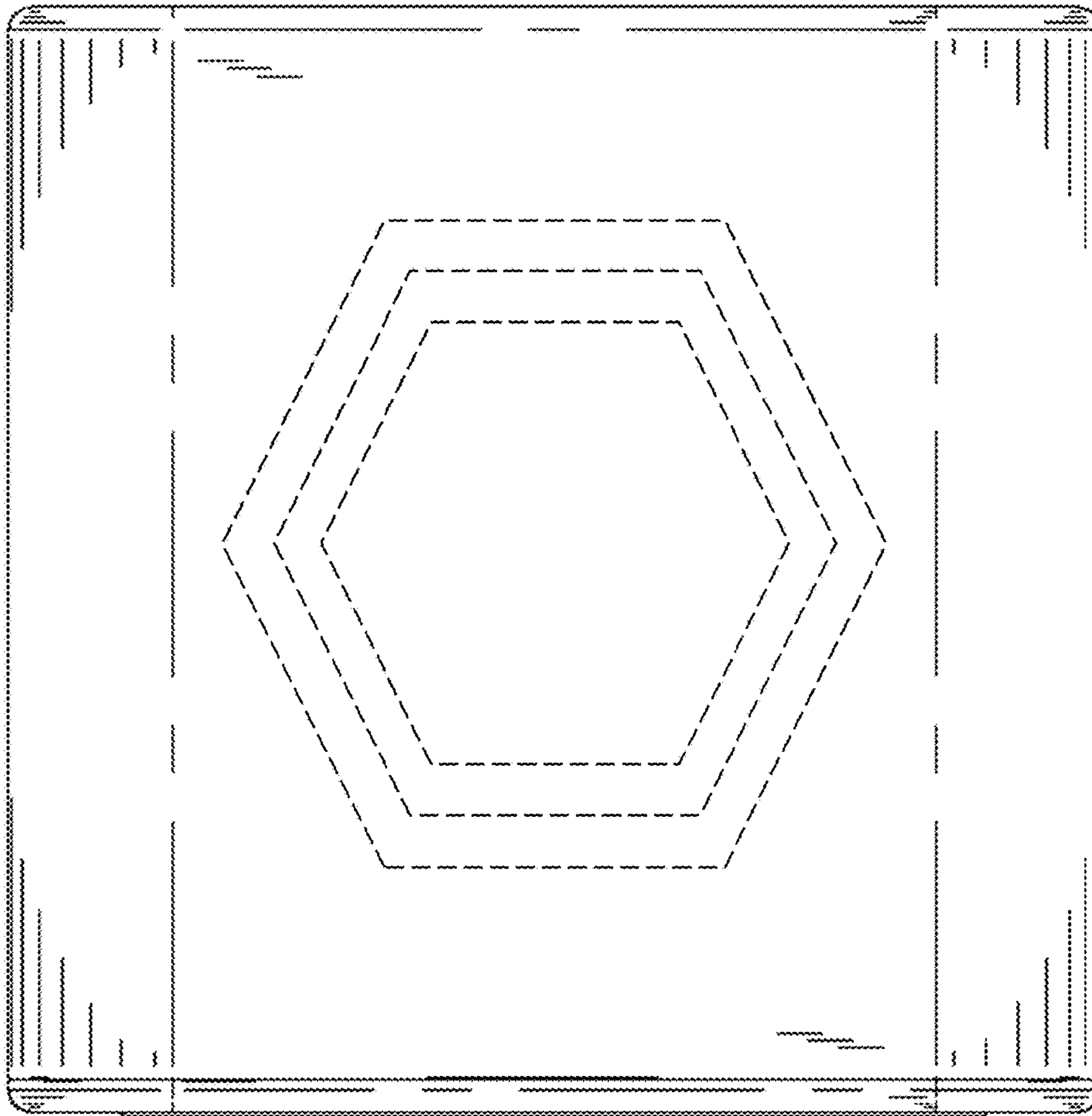


FIG. 11

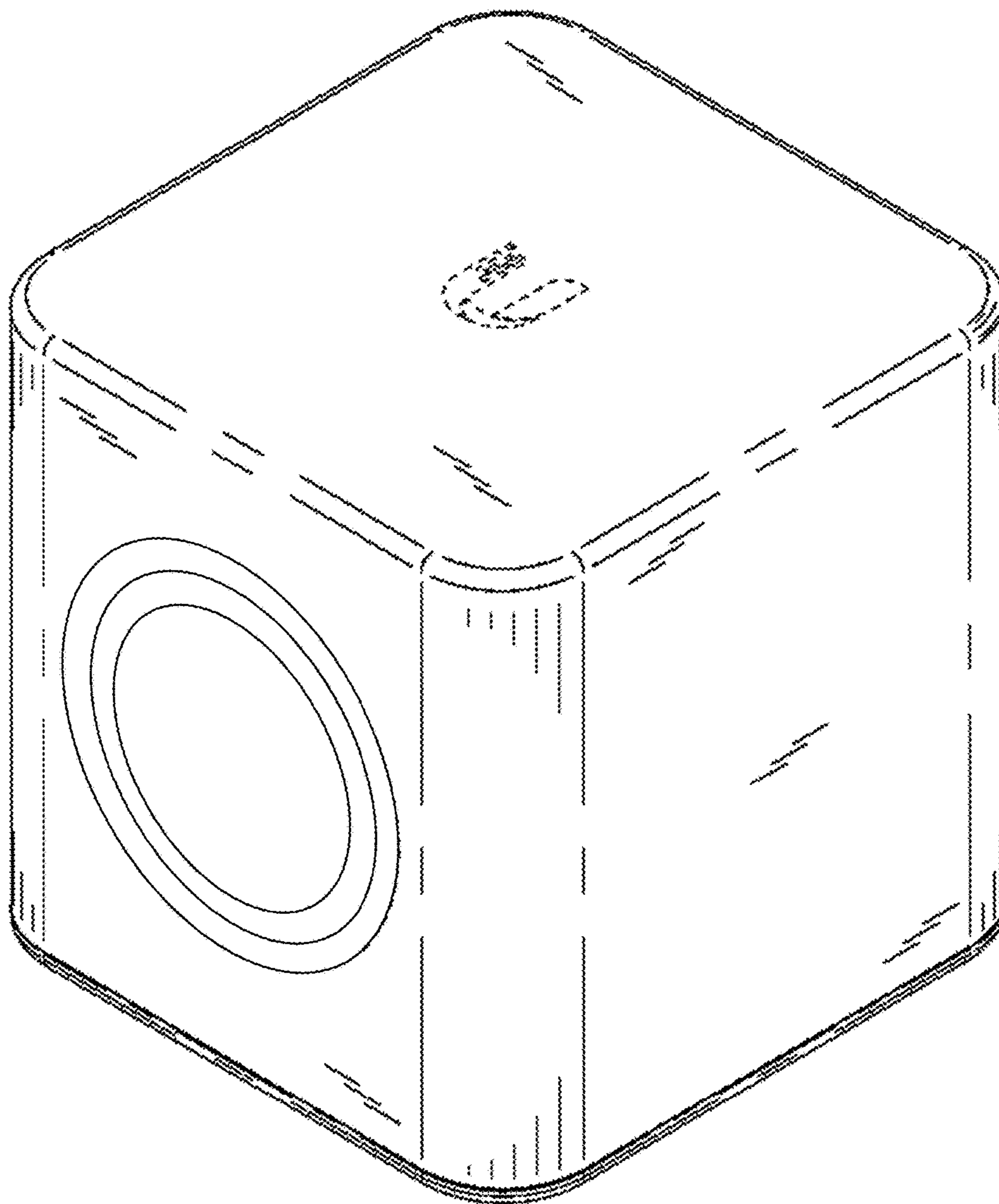


FIG. 12

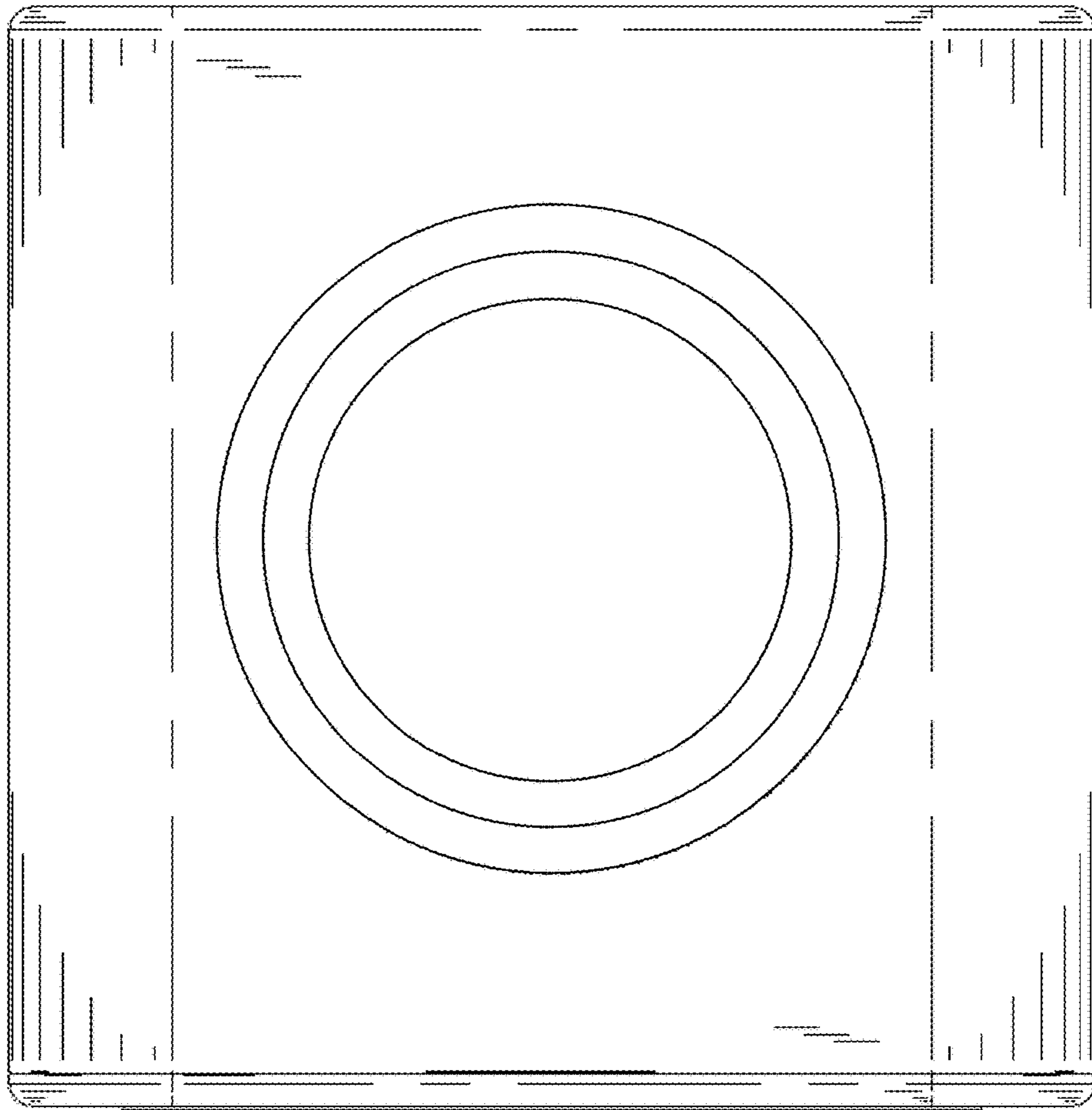


FIG. 13