



US00D848404S

(12) **United States Design Patent**
Chen

(10) **Patent No.:** **US D848,404 S**

(45) **Date of Patent:** **** May 14, 2019**

(54) **VERTICAL MICROPHONE**

(71) Applicant: **Ching-Wen Chen**, Taipei (TW)

(72) Inventor: **Ching-Wen Chen**, Taipei (TW)

(**) Term: **15 Years**

(21) Appl. No.: **29/632,764**

(22) Filed: **Jan. 10, 2018**

(51) **LOC (11) Cl.** **14-01**

(52) **U.S. Cl.**
USPC **D14/227**

(58) **Field of Classification Search**
USPC D14/221, 225, 226, 227, 228, 229, 150,
D14/154, 155, 158, 160, 172
CPC H04R 19/04; H04R 19/00; H04R 1/406;
H04R 1/08; H04R 1/04; H04R 1/326;
H04R 29/004; H04R 2410/00; H04R
2410/01; H04R 2410/03; H04R 2410/05;
H04R 2410/07; H04R 2420/07; H04R
17/02

See application file for complete search history.

(56) **References Cited**

U.S. PATENT DOCUMENTS

D309,266 S * 7/1990 Kaneko D10/15
D604,274 S * 11/2009 Durrett D14/228
D834,004 S * 11/2018 Chen D14/226

D834,564 S * 11/2018 Chen D14/226
D834,566 S * 11/2018 Sunwoo D14/227
2006/0078135 A1 * 4/2006 Royer H04R 9/048
381/176
2012/0300959 A1 * 11/2012 Marshall H04R 3/00
381/111

OTHER PUBLICATIONS

Read This Before You Buy a Blue Yeti Mic Stand, posted Apr. 24, 2017 [online], retrieved Dec. 17, 2018, retrieved from internet, <<https://whyvideoisgreat.com/blue-yeti-mic-stand>>.*
The Top 10 Best Microphones for Gaming, posted May 30, 2018 [online], retrieved Dec. 17, 2018, retrieved from internet, <<https://www.micreviews.com/guides/top-10-best-gaming-microphones>>.*

* cited by examiner

Primary Examiner — Barbara Fox
Assistant Examiner — Messina L Smith

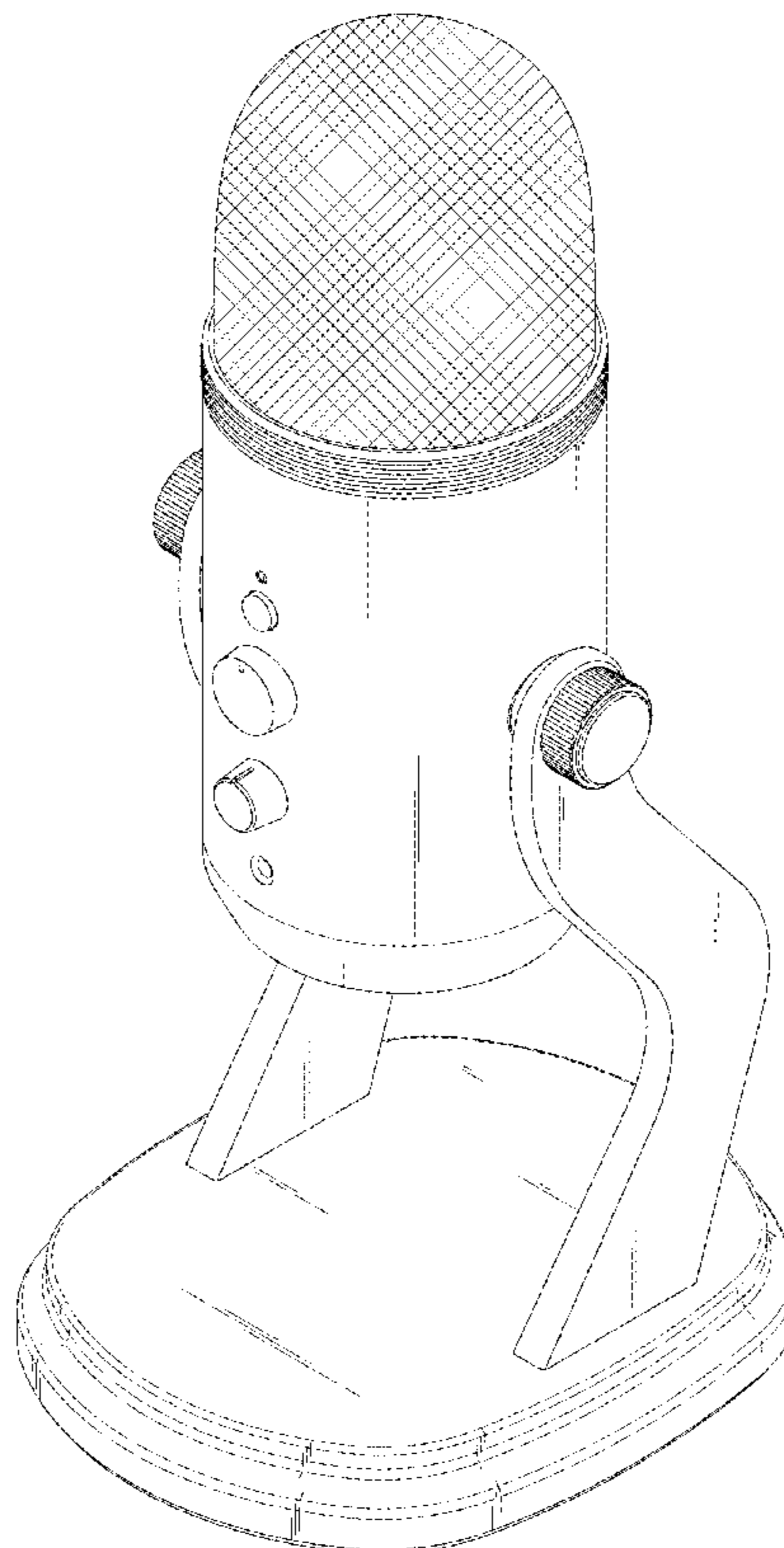
(57) **CLAIM**

The ornamental design for a vertical microphone, as shown.

DESCRIPTION

FIG. 1 is a front elevational view of a vertical microphone showing my new design;
FIG. 2 is a rear elevational view thereof;
FIG. 3 is a left side view thereof;
FIG. 4 is a right side view thereof;
FIG. 5 is a top plan view thereof;
FIG. 6 is a bottom plan view thereof; and,
FIG. 7 is a perspective view thereof.

1 Claim, 7 Drawing Sheets



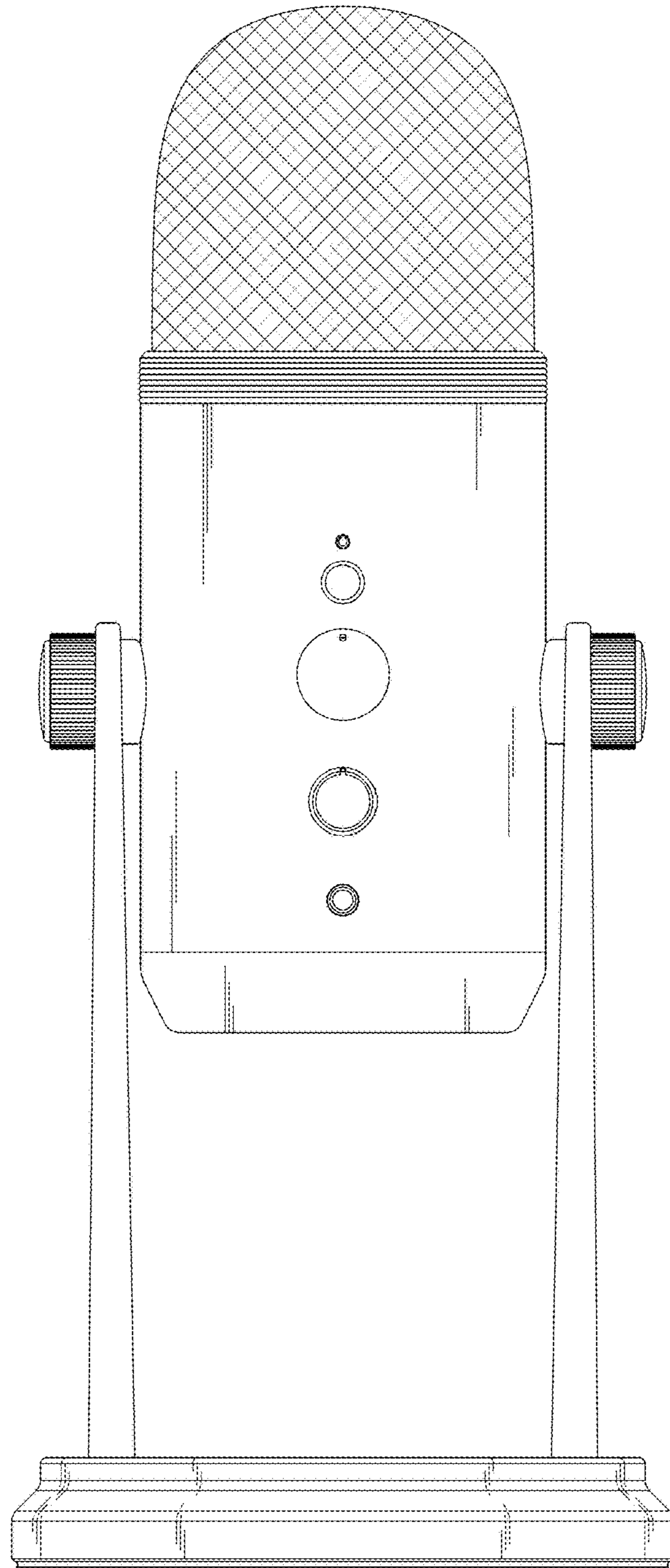


FIG. 1

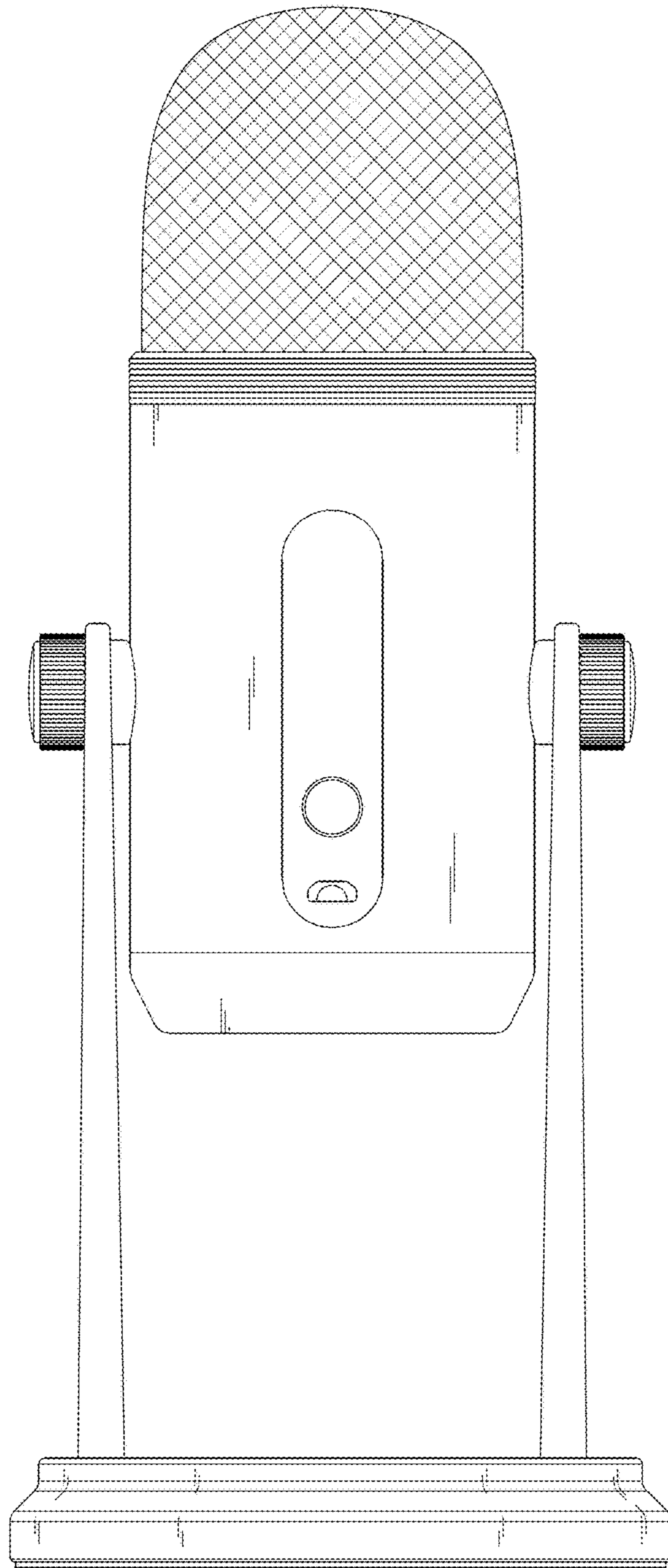


FIG. 2

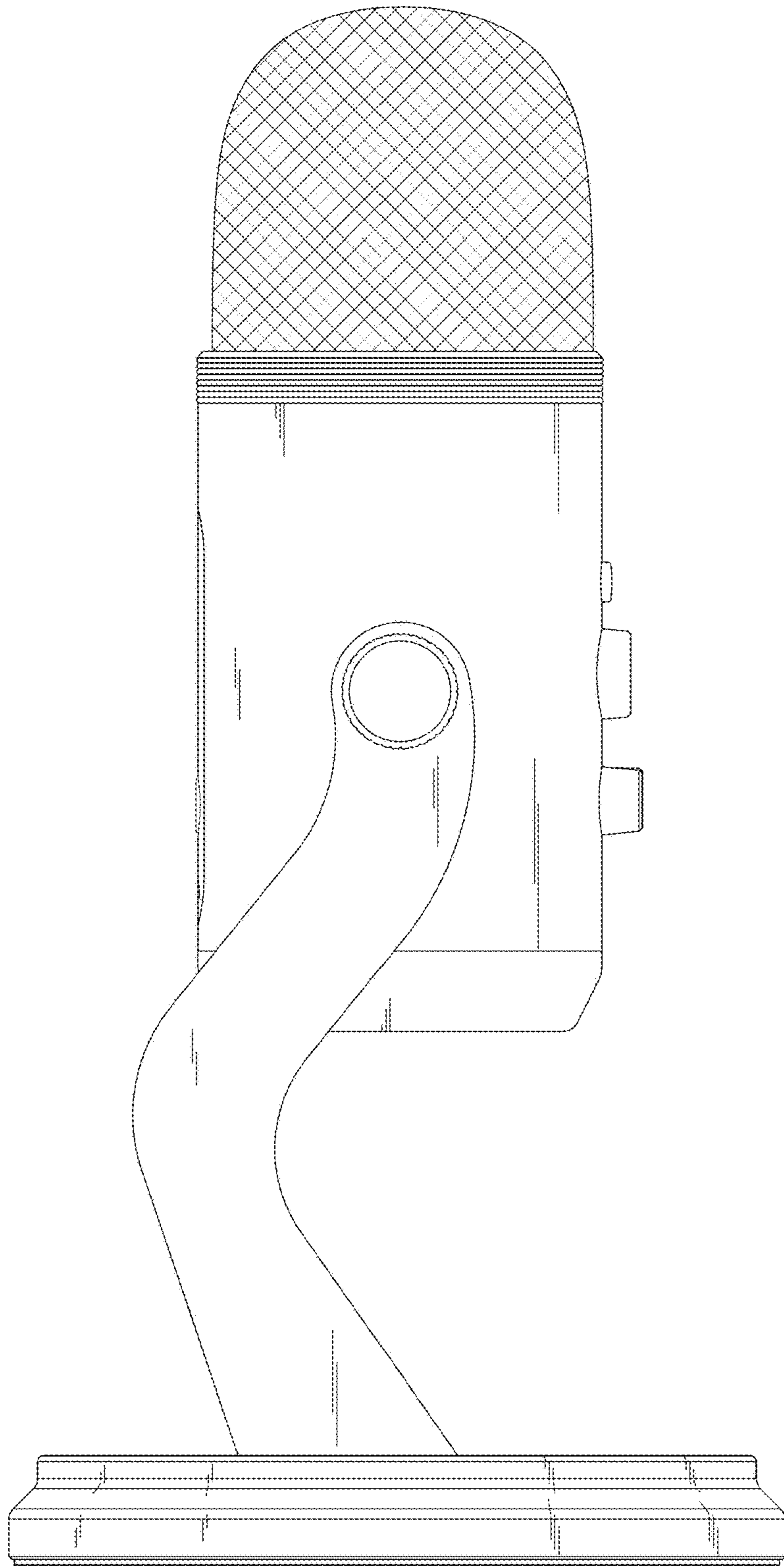


FIG. 3

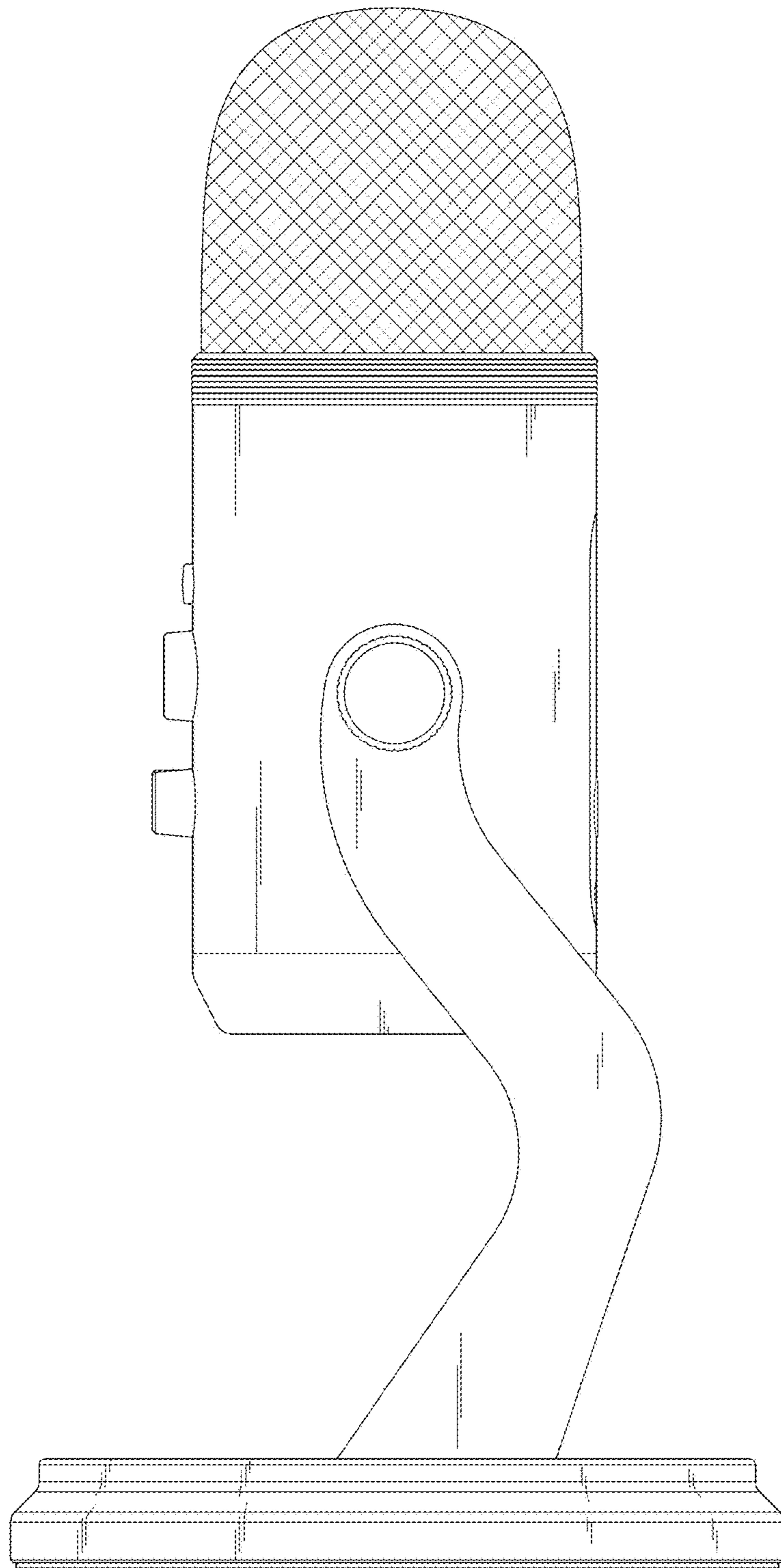


FIG. 4

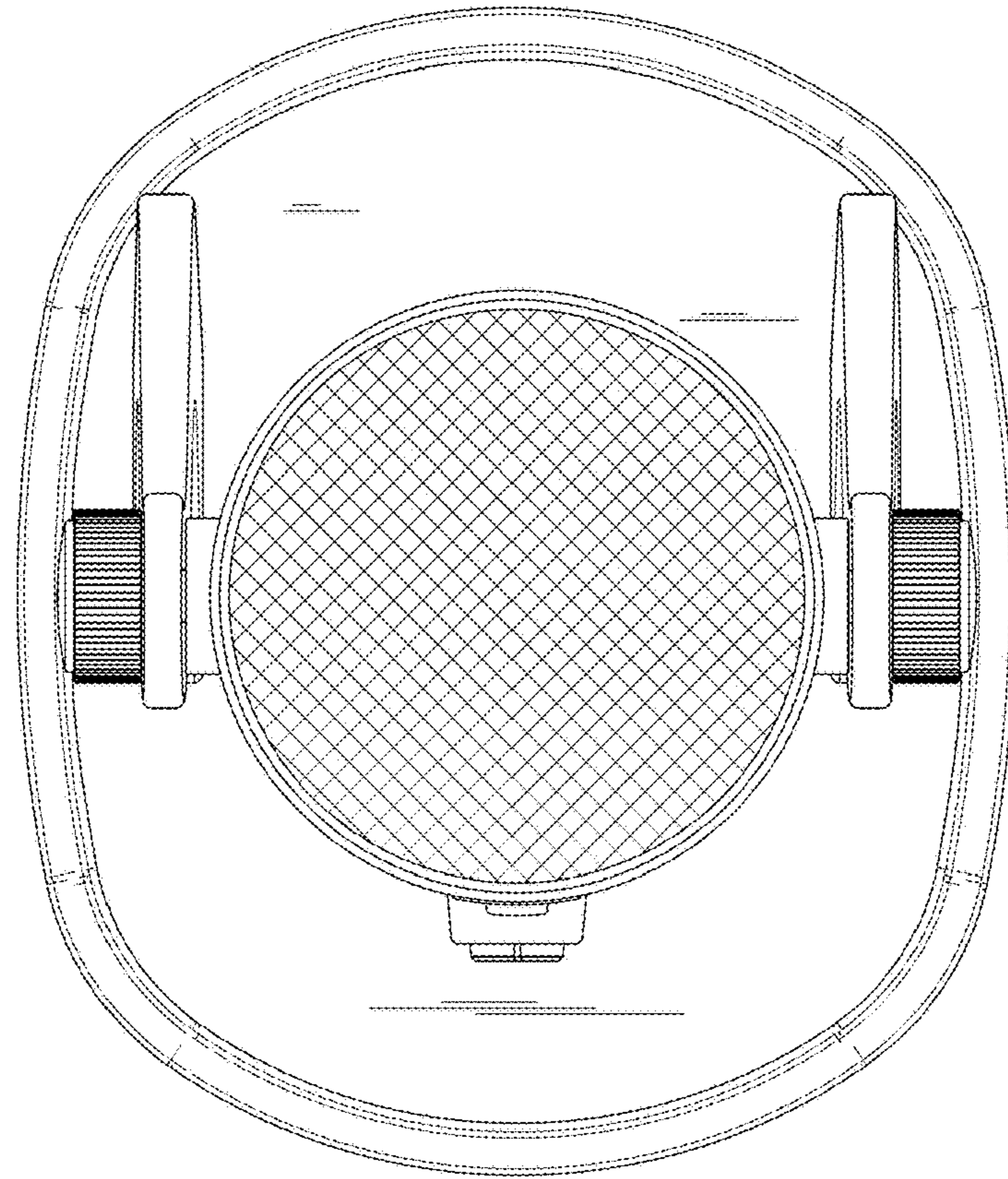


FIG. 5

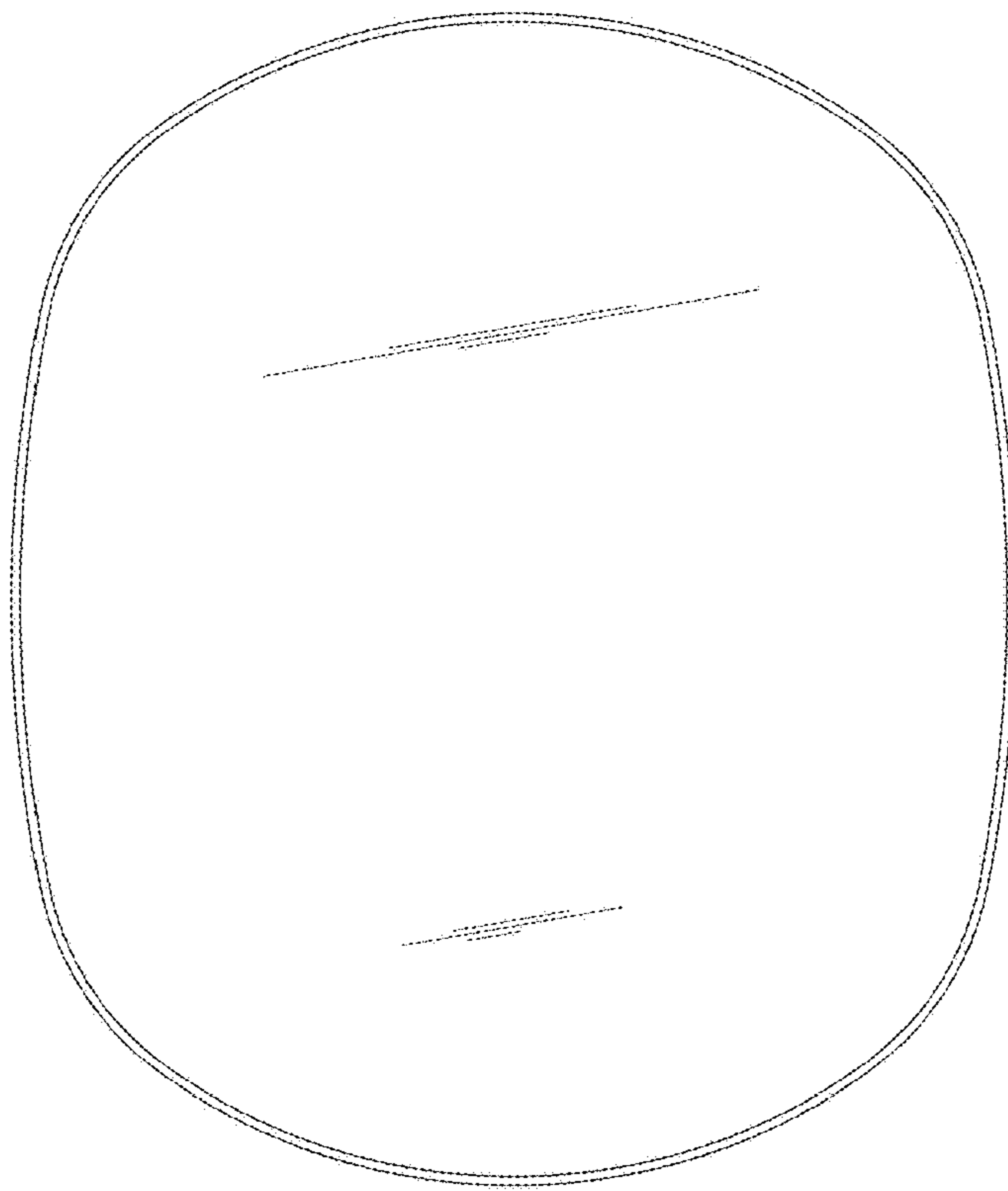


FIG. 6

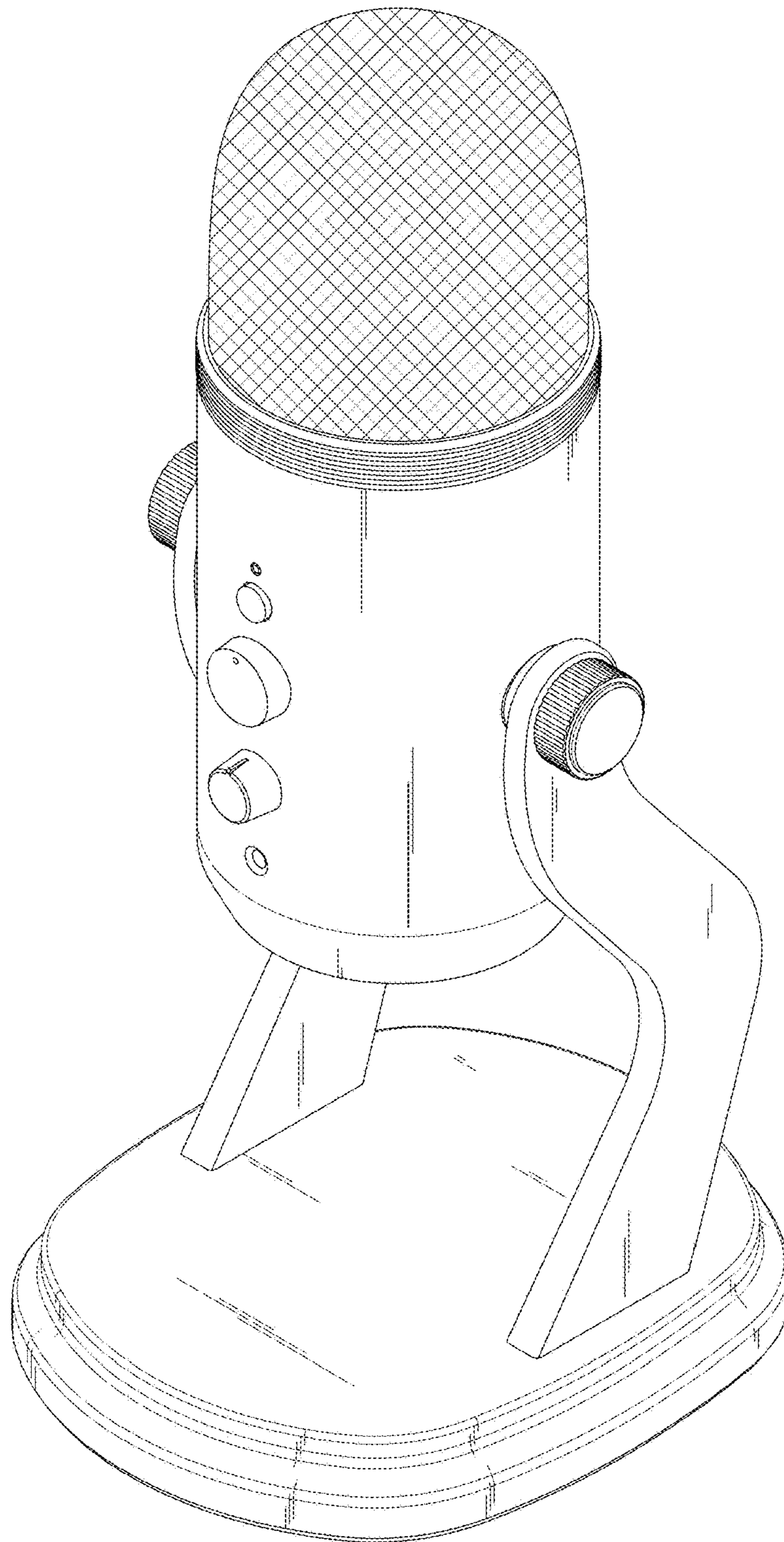


FIG. 7