

US00D848402S

(12) **United States Design Patent**
Kurihara et al.

(10) **Patent No.:** **US D848,402 S**

(45) **Date of Patent:** **** May 14, 2019**

(54) **SPEAKER**

(71) Applicant: **SONY CORPORATION**, Tokyo (JP)

(72) Inventors: **Daisuke Kurihara**, Chiba (JP);
Tomonari Murakami, Chiba (JP)

(73) Assignee: **SONY CORPORATION**, Tokyo (JP)

(**) Term: **15 Years**

(21) Appl. No.: **29/633,971**

(22) Filed: **Jan. 17, 2018**

Related U.S. Application Data

(63) Continuation-in-part of application No. 29/604,942,
filed on May 22, 2017, which is a continuation of
(Continued)

(30) **Foreign Application Priority Data**

Dec. 11, 2014 (CN) 2014 3 0518148
Jul. 21, 2017 (CN) 2017 3 0324646

(51) **LOC (11) Cl.** **14-01**

(52) **U.S. Cl.**
USPC **D14/224**

(58) **Field of Classification Search**
USPC D14/222, 221, 208, 219, 204, 209.1,
D14/210-215, 258; D12/211, 206, 214,
(Continued)

(56) **References Cited**

U.S. PATENT DOCUMENTS

834,629 A 10/1906 Mogley
2,114,680 A 4/1938 Goldsmith
(Continued)

FOREIGN PATENT DOCUMENTS

CN 301263225 S 6/2010
CN 301263230 S 6/2010

(Continued)

Primary Examiner — Paula Allen Greene

(74) *Attorney, Agent, or Firm* — Michael Best and
Friedrich LLP

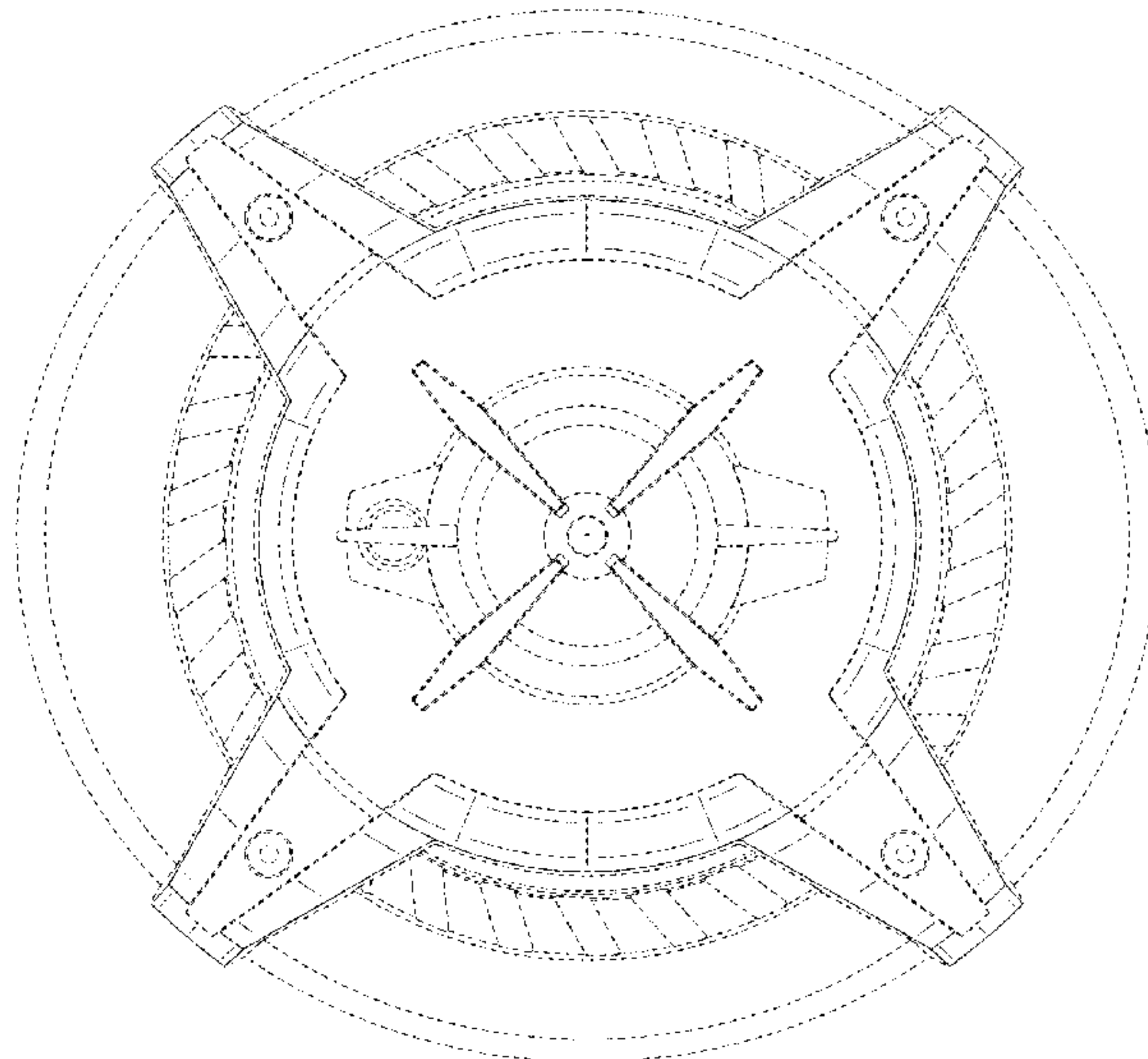
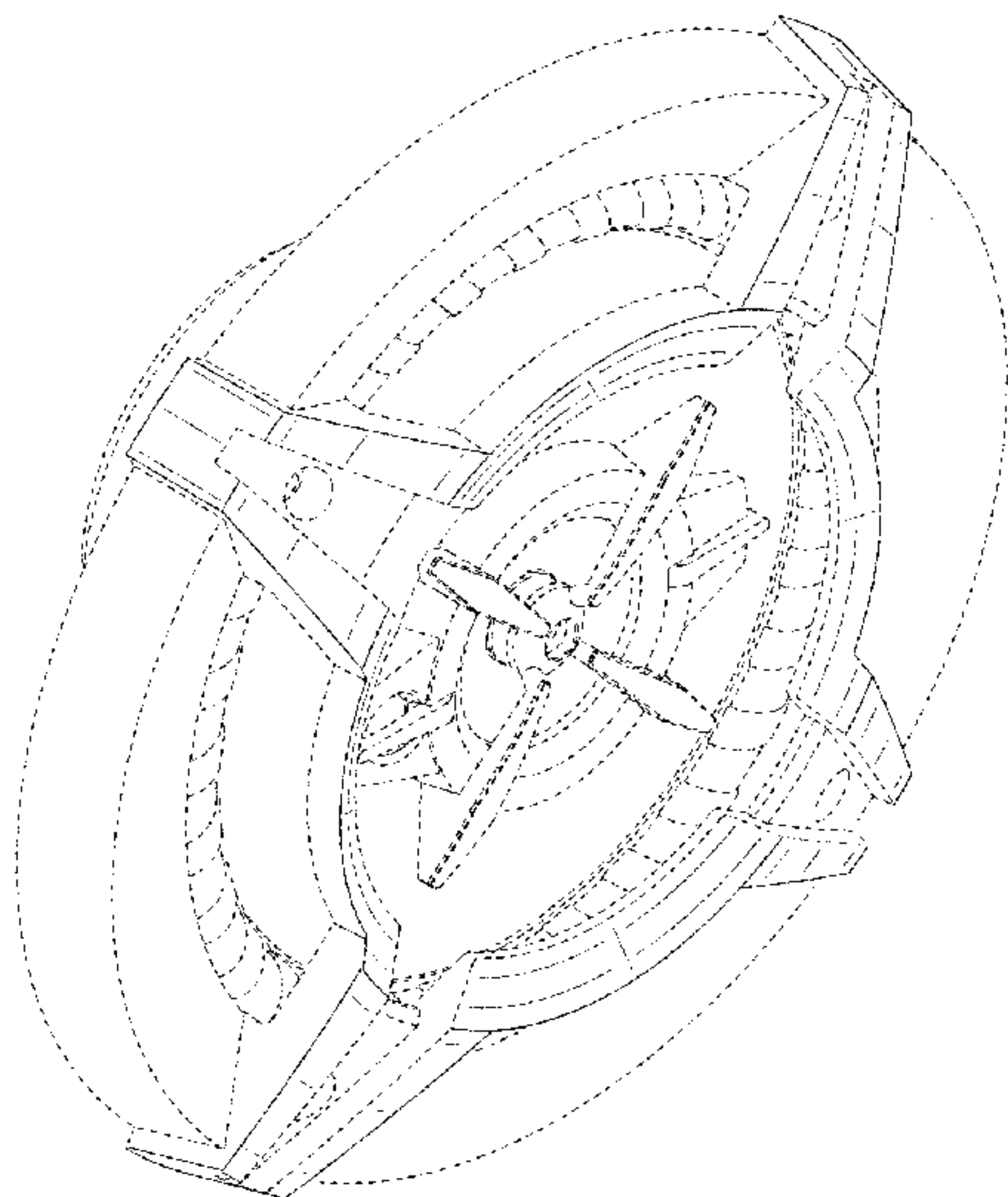
(57) **CLAIM**

The ornamental design for a speaker, as shown and
described.

DESCRIPTION

FIG. 1 is a perspective view of a first embodiment of a
speaker showing our new design;
FIG. 2 is a front elevational view thereof;
FIG. 3 is a left side elevational view thereof;
FIG. 4 is a right side elevational view thereof;
FIG. 5 is a top plan view thereof; and
FIG. 6 is a bottom plan view thereof.
FIG. 7 is a perspective view of a second embodiment of a
speaker showing our new design;
FIG. 8 is a front elevational view thereof;
FIG. 9 is a left side elevational view thereof;
FIG. 10 is a right side elevational view thereof; and
FIG. 11 is a top plan view thereof; and
FIG. 12 is a bottom plan view thereof.
FIG. 13 is a perspective view of a third embodiment of a
speaker showing our new design;
FIG. 14 is a front elevational view thereof;
FIG. 15 is a left side elevational view thereof;
FIG. 16 is a right side elevational view thereof;
FIG. 17 is a top plan view thereof; and
FIG. 18 is a bottom plan thereof.
The broken lines illustrating portions of the speaker form no
part of the claimed design.

1 Claim, 14 Drawing Sheets



Related U.S. Application Data

application No. 29/529,994, filed on Jun. 11, 2015,
now Pat. No. Des. 791,106.

(58) **Field of Classification Search**

USPC D12/220; 181/144, 145, 152, 156, 169,
181/173, 158, 148; 381/386, 387, 397,
381/389, 391, 190, 304, 340

CPC ... H04R 1/02; H04R 7/00; H04R 7/14; H04R
9/02; H04R 9/06; H04R 1/28; H05K 5/00

See application file for complete search history.

(56) **References Cited**

U.S. PATENT DOCUMENTS

2,439,665 A 4/1948 Marquis
2,810,447 A 10/1957 Bernard
D186,669 S 11/1959 Richards et al.
D186,670 S * 11/1959 Durbin D14/216
2,924,290 A 2/1960 Zuerker
D188,542 S 8/1960 Levy et al.
D197,716 S 3/1964 Boldt et al.
D198,377 S 6/1964 Wassmann
3,364,315 A * 1/1968 Gorike H04R 1/04
181/164
3,499,988 A 3/1970 Tanmatsu
D225,069 S 11/1972 May
3,941,932 A 3/1976 D'Hoogh
D244,698 S 6/1977 Babb
D244,781 S 6/1977 Saidel
4,182,429 A * 1/1980 Senzaki H04R 1/24
181/141
D254,490 S 3/1980 Matsubara
D266,324 S 9/1982 Iijima
4,365,114 A * 12/1982 Soma H04R 1/323
181/144
D276,045 S 10/1984 Kawachi
4,993,511 A * 2/1991 Hiraki H04R 1/025
181/150
D320,020 S 9/1991 Iwano
D384,025 S * 9/1997 Roesianto D12/209
D410,618 S * 6/1999 Hussaini D12/211
D419,561 S 1/2000 Haase et al.
6,095,278 A 8/2000 Lin
D436,946 S * 1/2001 Lin D14/214
D449,293 S 10/2001 Irby et al.
D466,888 S 12/2002 Sugiyama et al.
D480,070 S * 9/2003 Hakoda D14/216
D480,710 S 10/2003 Rivera
D487,076 S * 2/2004 Nakane D14/216
6,792,125 B1 9/2004 David et al.
6,868,165 B1 3/2005 Fabian
D506,748 S 6/2005 Garretson et al.
D506,992 S 7/2005 Suzuki

D506,993 S 7/2005 Suzuki
D510,084 S 9/2005 Hasbrook
D522,497 S * 6/2006 Morisawa D14/221
D529,898 S 10/2006 Kuribayashi et al.
D535,979 S * 1/2007 Shing D14/219
D542,278 S * 5/2007 Yan D14/214
D542,779 S 5/2007 Pantaleone
D550,209 S 9/2007 Mizokawa
D550,651 S 9/2007 Mizokawa
D550,652 S 9/2007 Mizokawa
D551,209 S 9/2007 Mizokawa
D556,738 S 12/2007 Yao
7,306,073 B2 12/2007 Frasl
D559,835 S 1/2008 Marshall
D571,791 S 6/2008 Lazzeroni et al.
D573,980 S * 7/2008 Nakane D14/216
D574,812 S 8/2008 Sei
D576,153 S 9/2008 Sei
D583,803 S * 12/2008 Lum D14/219
D585,882 S 2/2009 Lum et al.
D586,786 S 2/2009 Monaghan
D589,030 S * 3/2009 Yokoyama D14/216
D593,073 S 5/2009 Kurihara
D600,676 S 9/2009 Maurer et al.
D600,678 S 9/2009 Maurer et al.
D607,439 S 1/2010 Jokinen
D626,945 S 11/2010 Chen
8,181,736 B2 * 5/2012 Sterling H04R 1/2803
181/176
8,230,966 B2 7/2012 Kajihara et al.
D711,853 S 8/2014 Miyata et al.
8,811,653 B2 * 8/2014 Hiramoto H04R 9/06
381/423
D777,145 S * 1/2017 Kimura D14/216
D791,106 S * 7/2017 Kurihara D14/222
2005/0224281 A1 * 10/2005 Gordon G10K 11/004
181/153
2005/0241876 A1 * 11/2005 Sperle H04R 1/025
181/150
2007/0098204 A1 5/2007 Iekura
2007/0098206 A1 5/2007 Ando et al.
2010/0054523 A1 * 3/2010 Maurer H04R 1/086
381/391
2012/0328146 A1 12/2012 Tsuruta et al.
2015/0003639 A1 1/2015 Cheung

FOREIGN PATENT DOCUMENTS

CN 301263232 S 6/2010
CN 301271671 S 6/2010
CN 301686346 S 9/2011
JP D1223734 11/2004
JP D1224108 S 11/2004
JP D1226854 1/2005

* cited by examiner

FIG.1

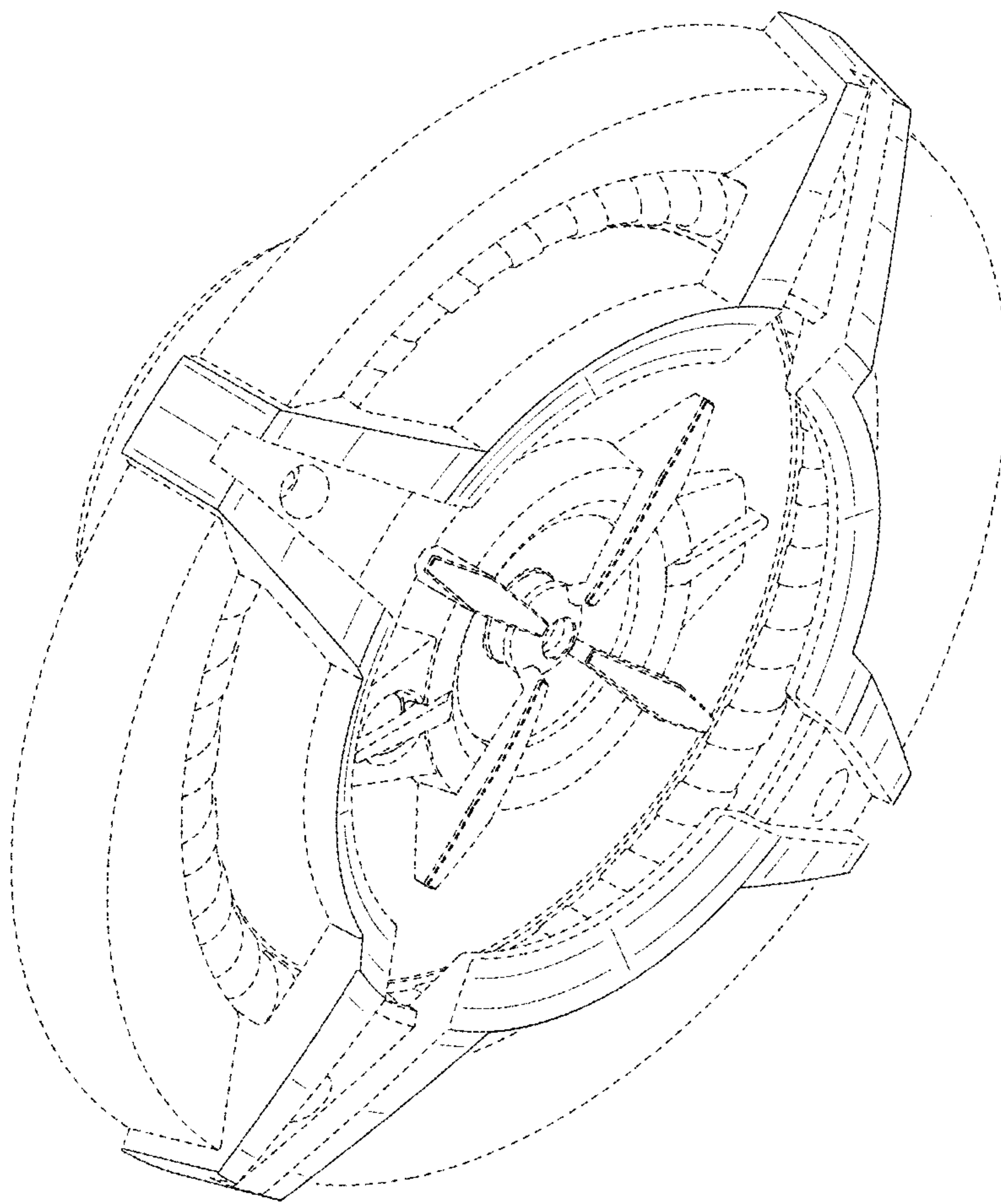


FIG.2

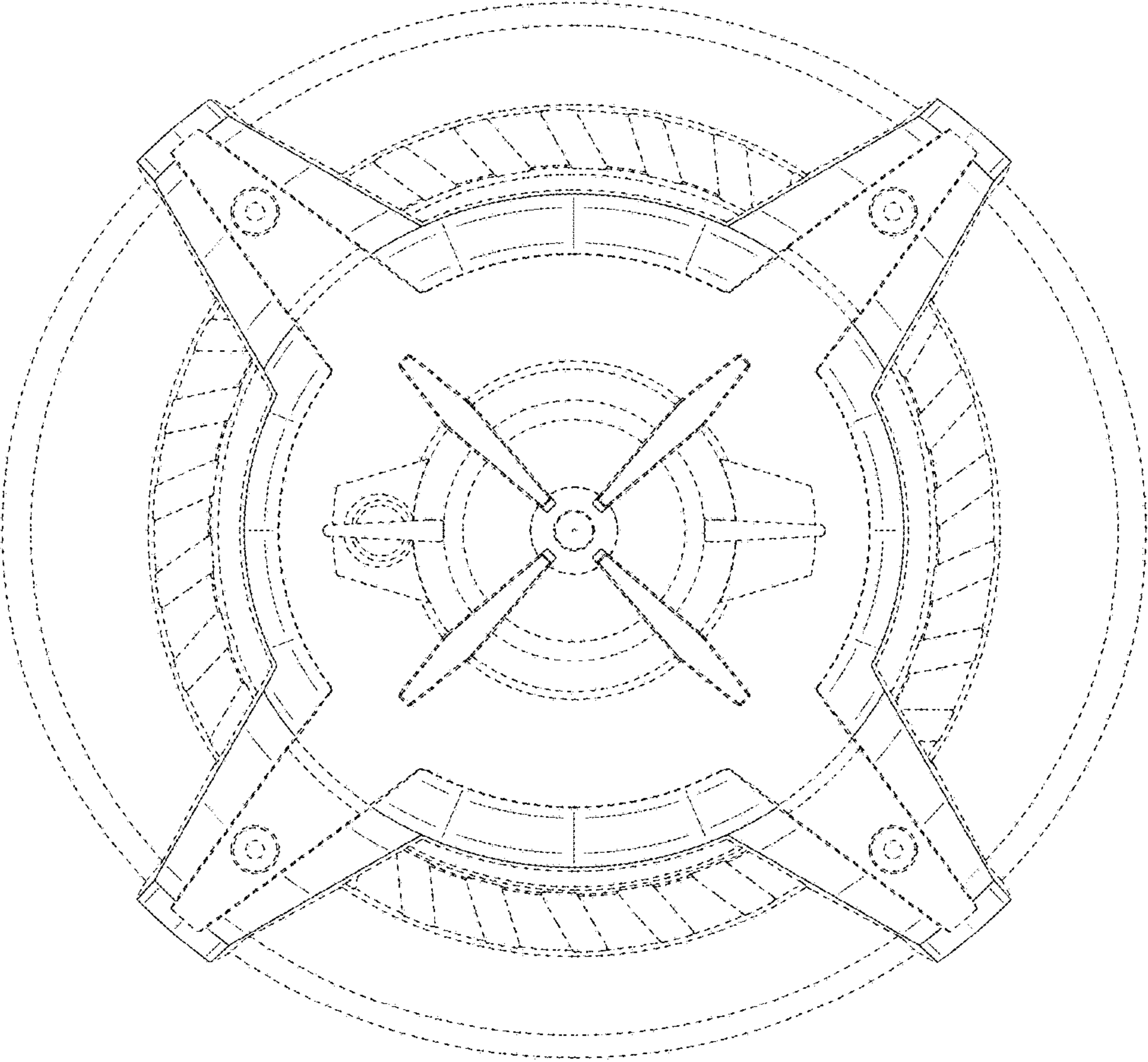


FIG.3

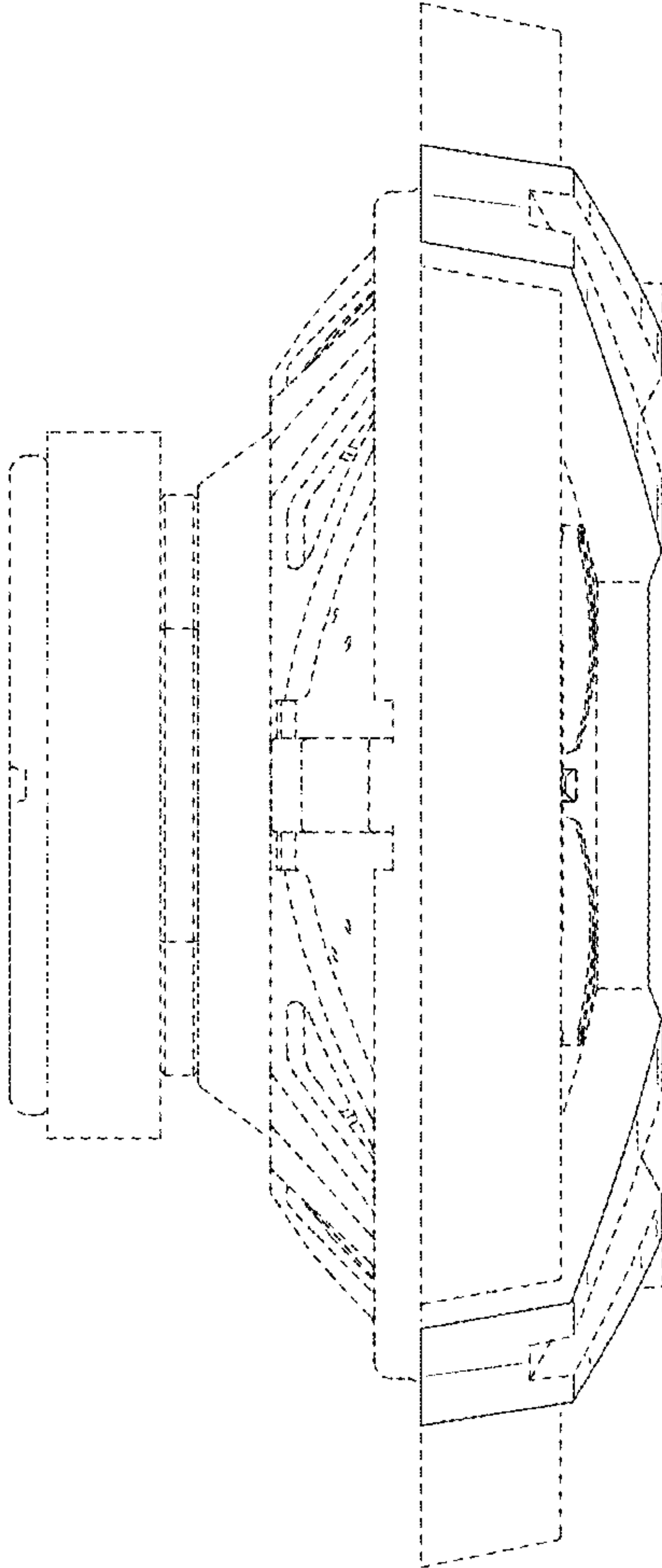


FIG.4

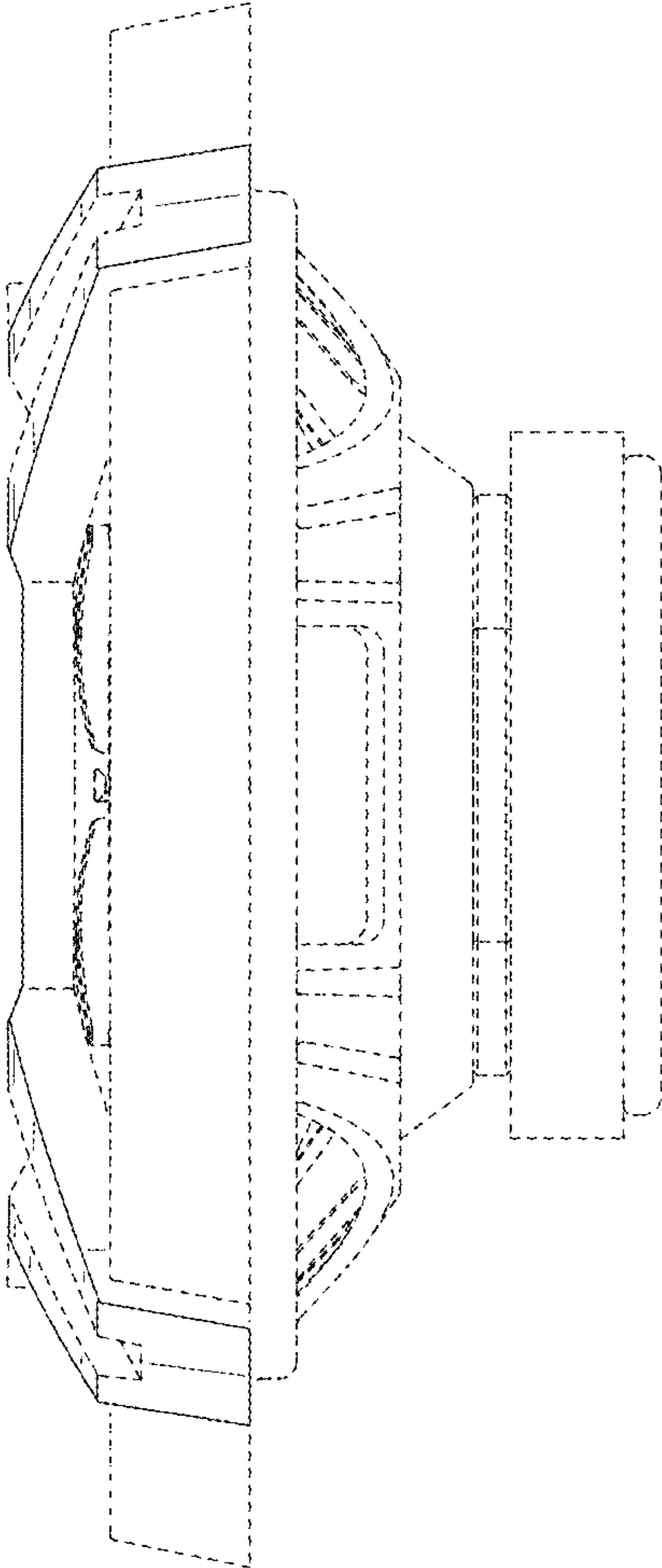


FIG.5

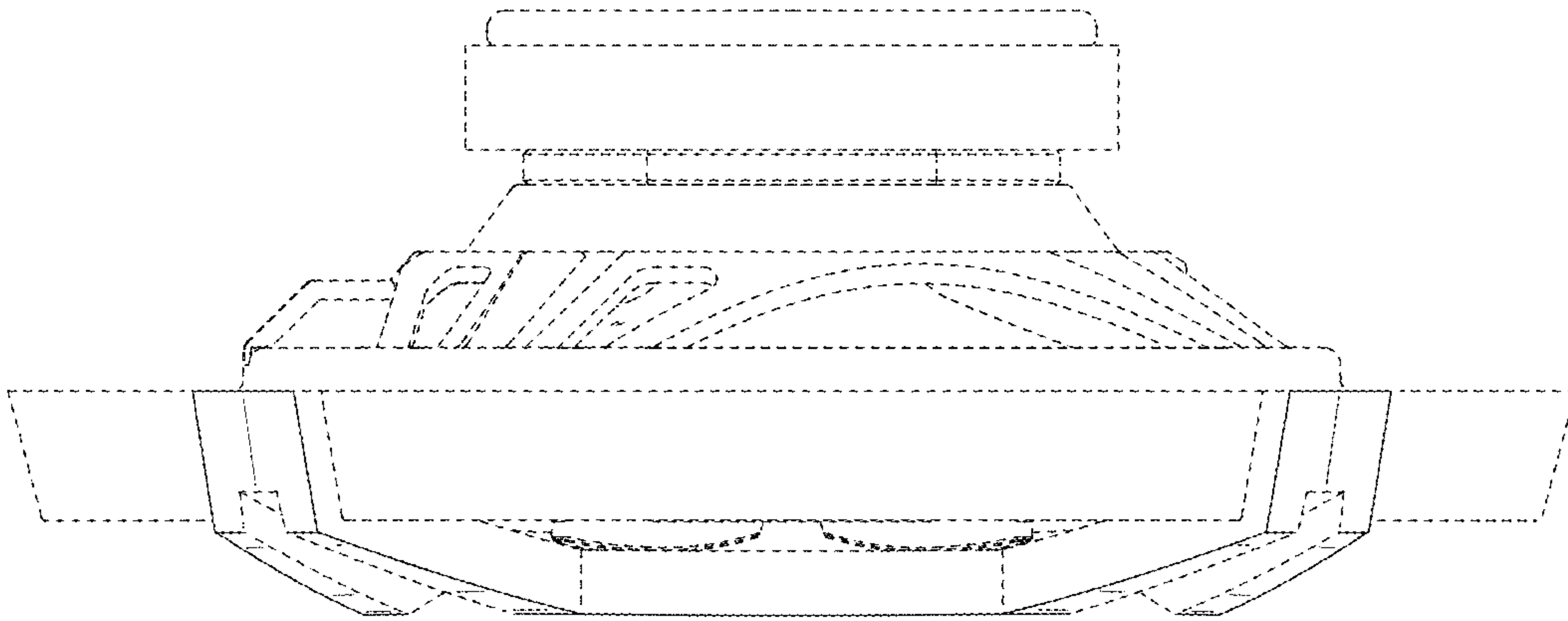


FIG.6

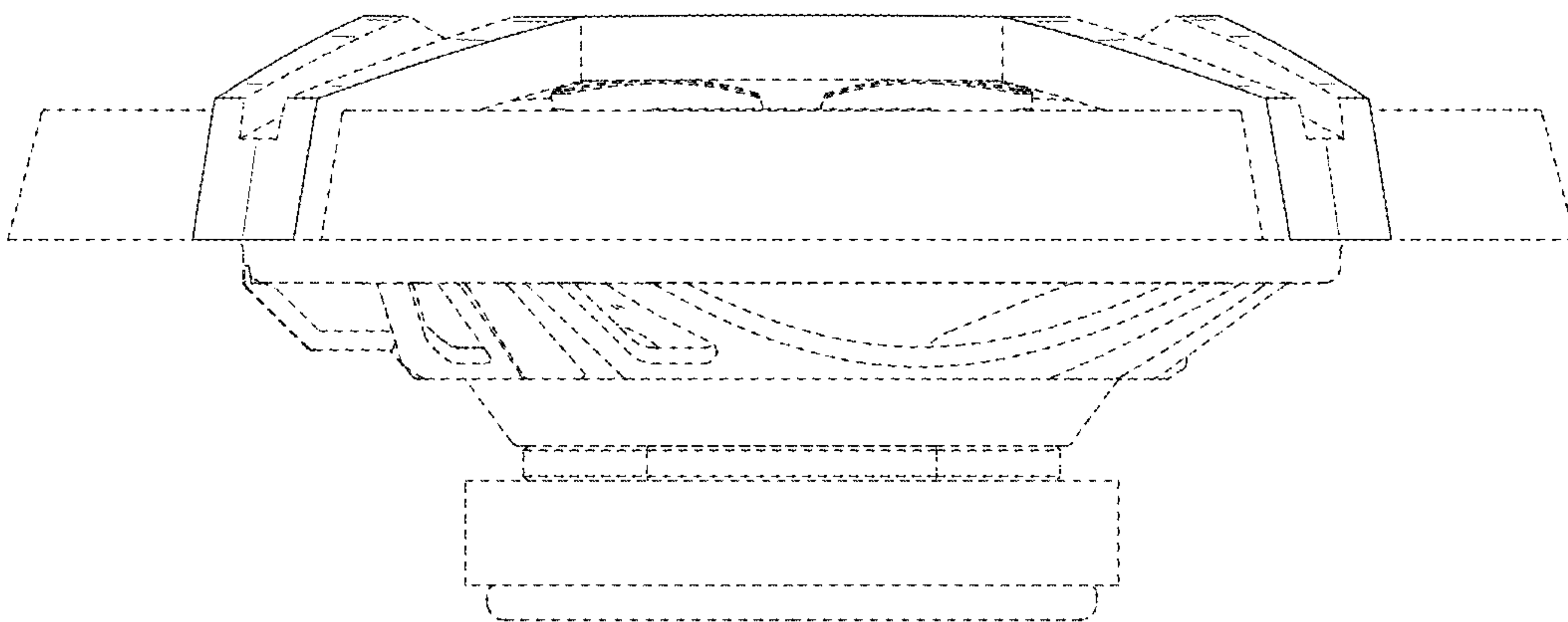


FIG.7

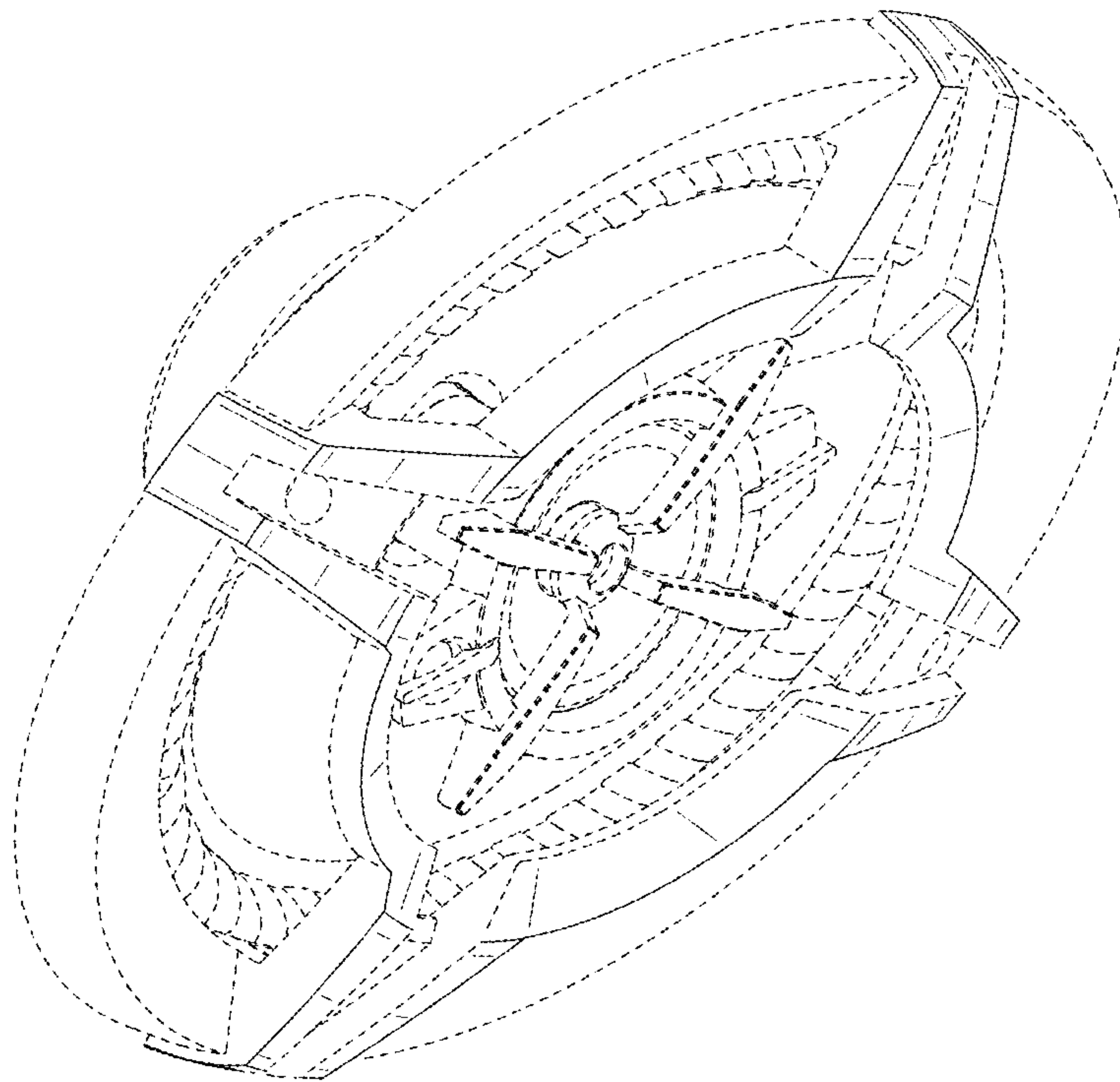


FIG.8

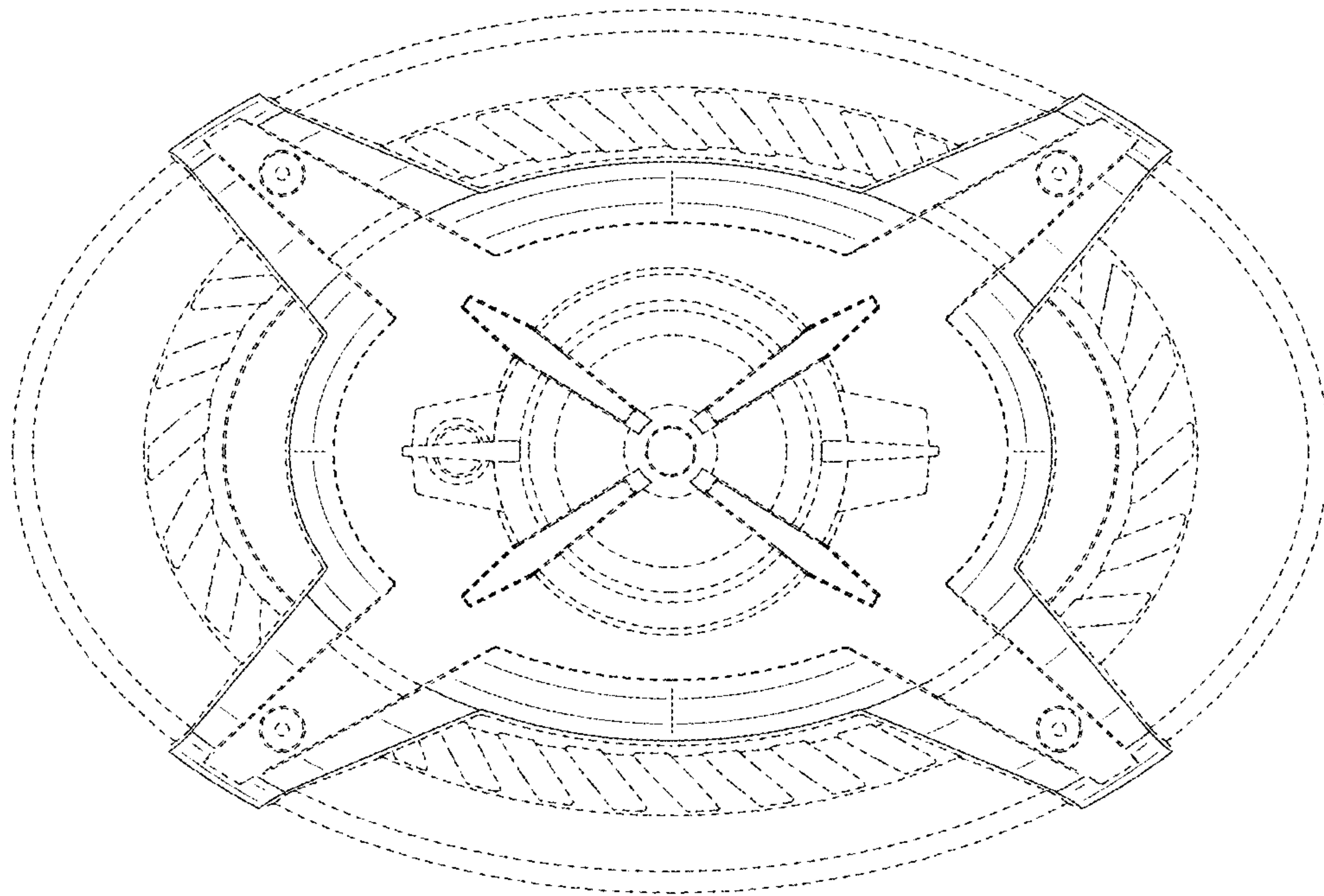


FIG.9

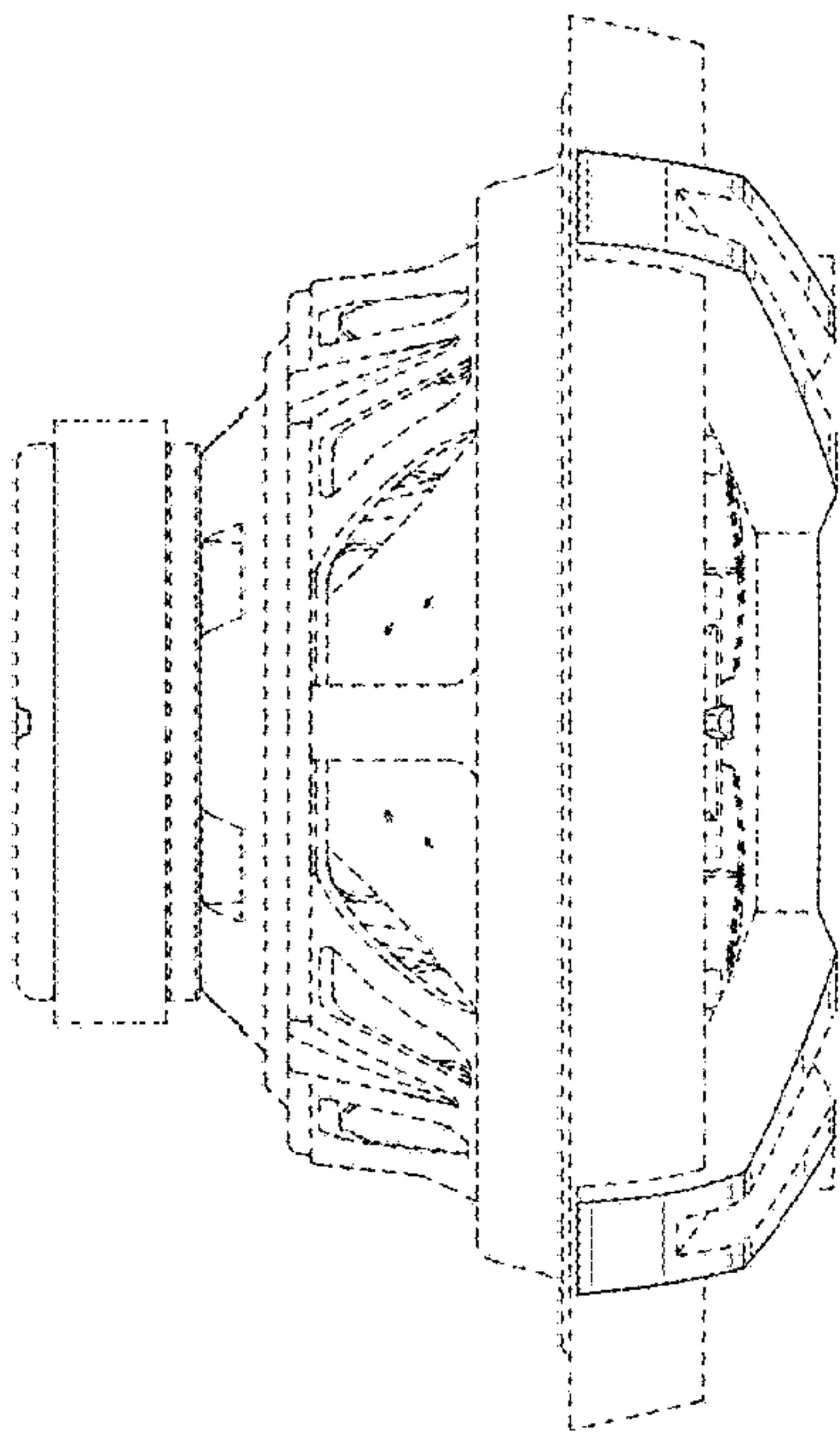


FIG.10

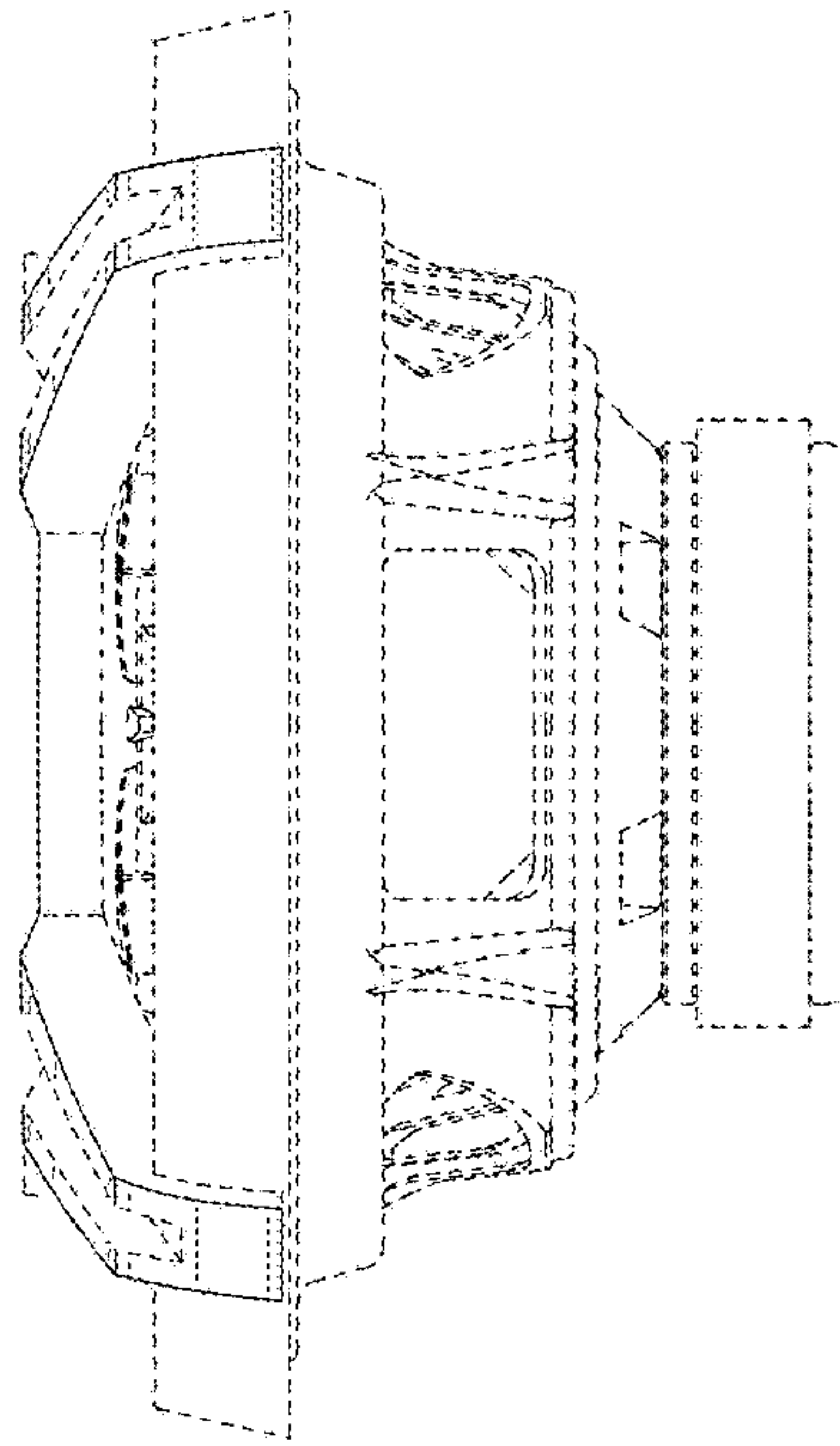


FIG.11

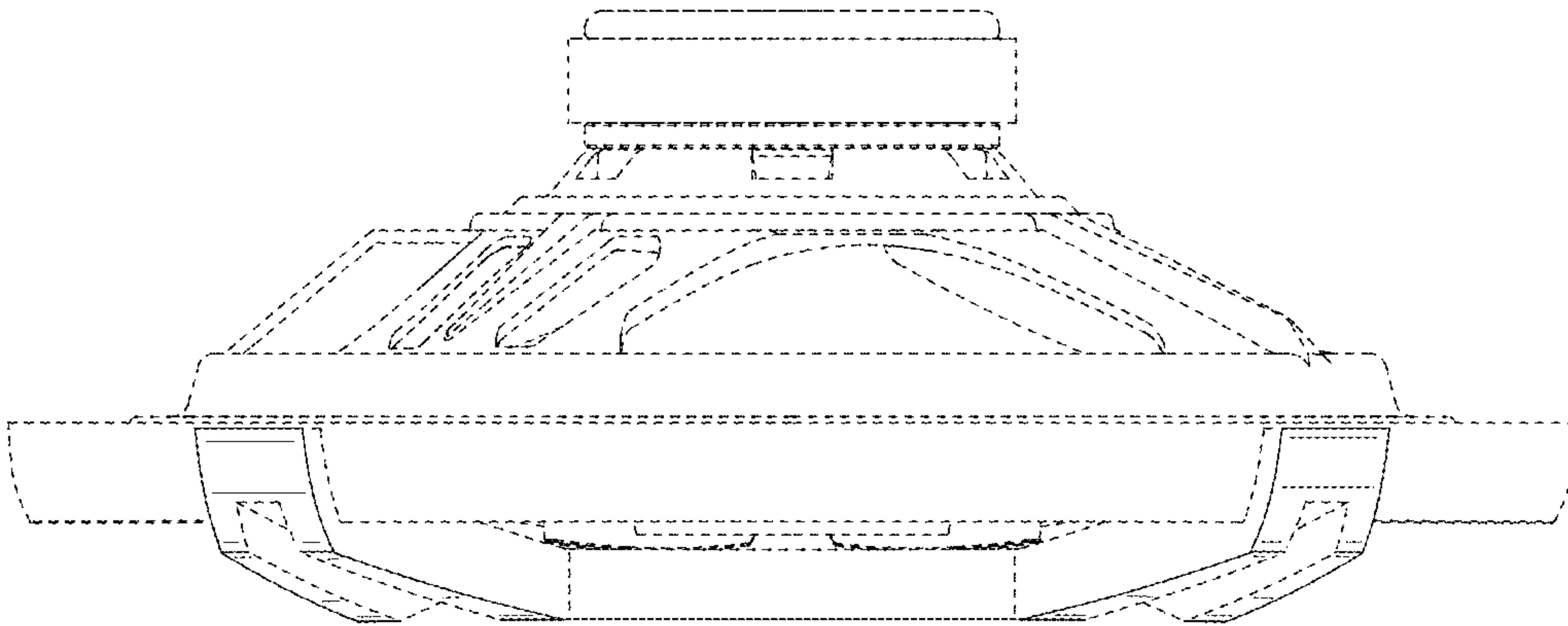
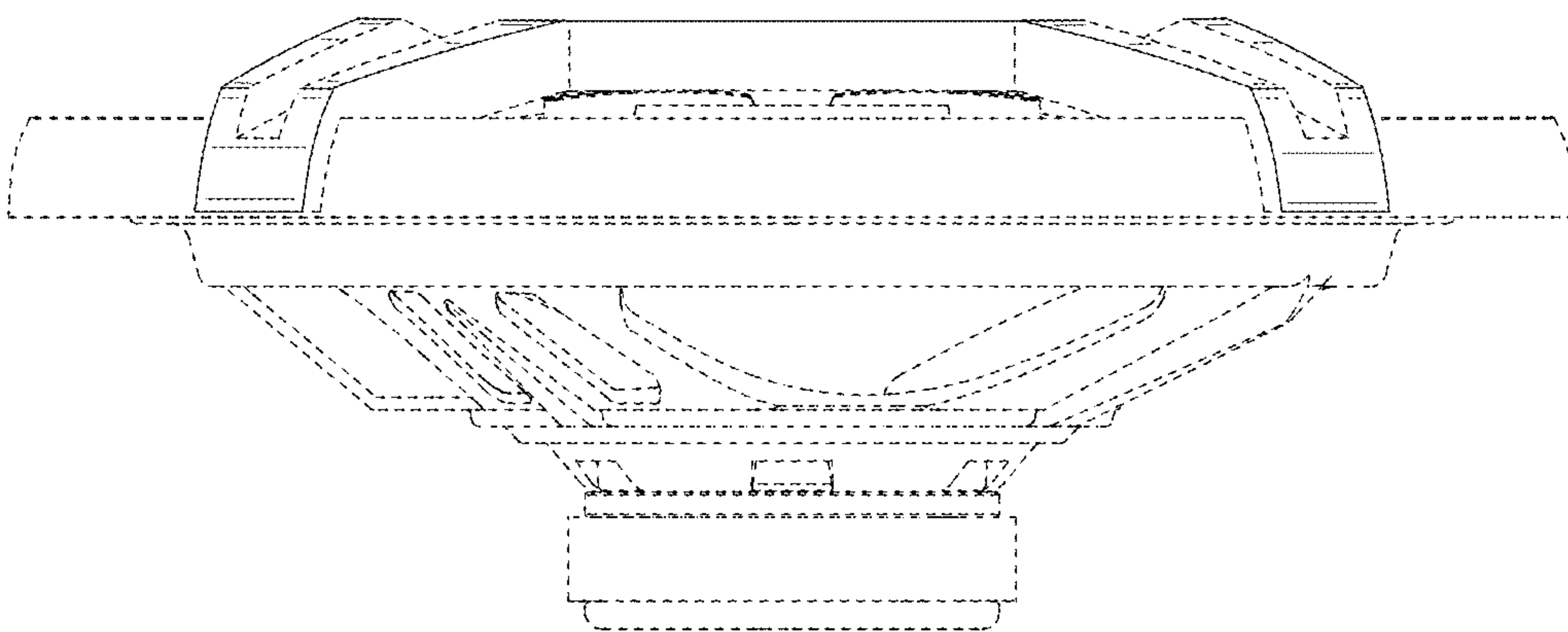


FIG.12



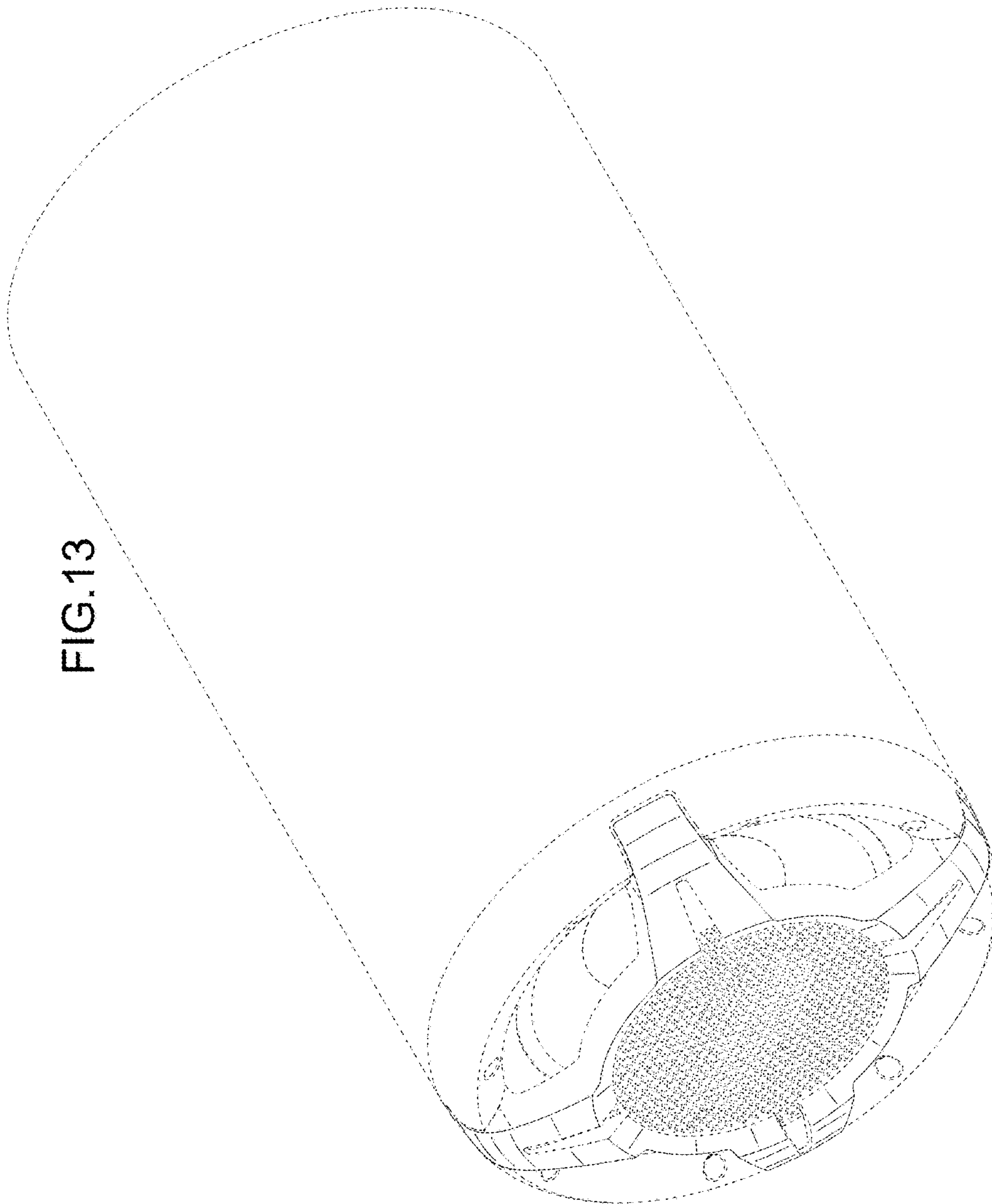


FIG.13

FIG.14

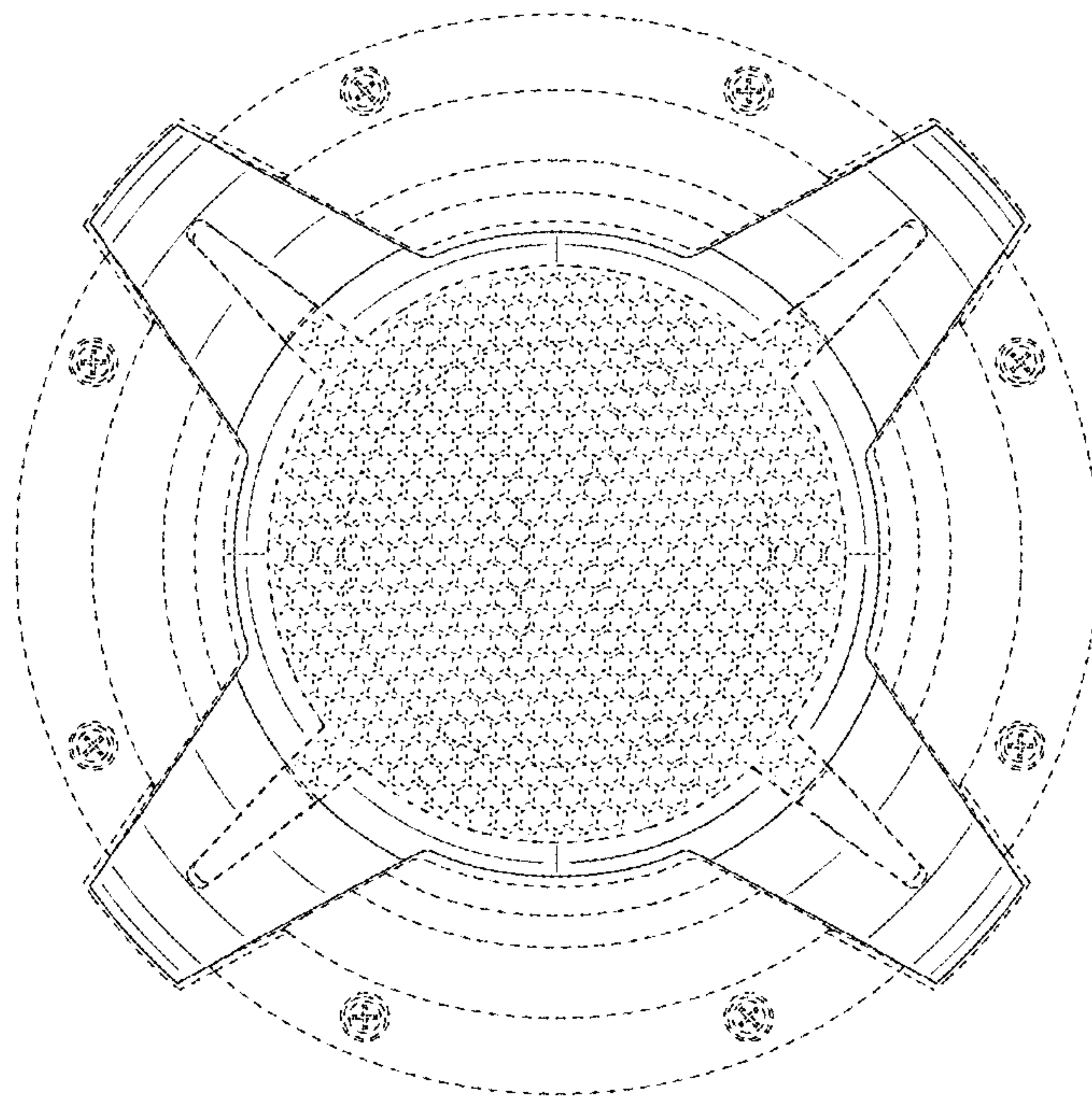


FIG.15



FIG.16



FIG.17



FIG.18

