



US00D848401S

(12) **United States Design Patent**
Telle

(10) **Patent No.:** **US D848,401 S**

(45) **Date of Patent:** **** May 14, 2019**

(54) **SPEAKER BASKET WITH SPOKES**

(71) Applicant: **Jose Luis Telle**, Miami, FL (US)

(72) Inventor: **Jose Luis Telle**, Miami, FL (US)

(**) Term: **15 Years**

(21) Appl. No.: **29/594,493**

(22) Filed: **Feb. 18, 2017**

(51) **LOC (11) Cl.** **14-01**

(52) **U.S. Cl.**

USPC **D14/224**

(58) **Field of Classification Search**

USPC D14/224, 221, 222, 204, 215, 216, 258;
181/156, 174, 175, 148, 150, 167, 168,
181/141, 199, 153; 381/386, 433, 403,
381/396, 398, 404, 421, 423, 300, 304,
381/305, 343, 182, 397, 414; D23/365;
210/493.5; D15/5

CPC . H04R 25/00; H04R 3/00; H04R 9/06; H04R
1/02; H04R 1/00; H04R 5/00; H05K 5/00

See application file for complete search history.

(56) **References Cited**

U.S. PATENT DOCUMENTS

- 2,020,211 A * 11/1935 Quam H04R 9/06
381/404
- 2,147,605 A * 2/1939 Lissauer H04R 9/041
381/403
- 2,295,483 A * 9/1942 Knowles H04R 1/22
181/148
- 2,701,617 A * 2/1955 Kock H04R 1/028
181/175
- D198,377 S * 6/1964 Wassmann D14/216
- D213,403 S * 2/1969 Kraus D15/5
- 3,546,853 A * 12/1970 Claar B60K 15/035
220/303
- 4,283,605 A * 8/1981 Nakajima H04R 17/00
381/190

- 4,365,114 A * 12/1982 Soma H04R 1/323
181/144
- D295,444 S * 4/1988 Sundqvist D15/5
- 4,757,547 A * 7/1988 Danley H04R 9/022
381/124
- 4,815,558 A * 3/1989 Krainhofer H04R 1/025
181/141
- D318,671 S * 7/1991 Naumann D14/221
- 5,042,072 A * 8/1991 Button H04R 9/022
381/397
- 5,357,586 A * 10/1994 Nordschow H04R 9/022
181/199
- D357,480 S * 4/1995 Lumsden D14/224
- 5,867,583 A * 2/1999 Hazelwood H04R 1/025
181/199
- 5,909,015 A * 6/1999 Yamamoto H04R 9/022
181/156
- 5,940,522 A * 8/1999 Cahill H04R 9/022
381/396
- D432,118 S * 10/2000 Honnert D14/216

(Continued)

Primary Examiner — Paula Allen Greene

(74) *Attorney, Agent, or Firm* — Sanchelima &
Assocaites, P.A.; Jesus Sanchelima; Christian Sanchelima

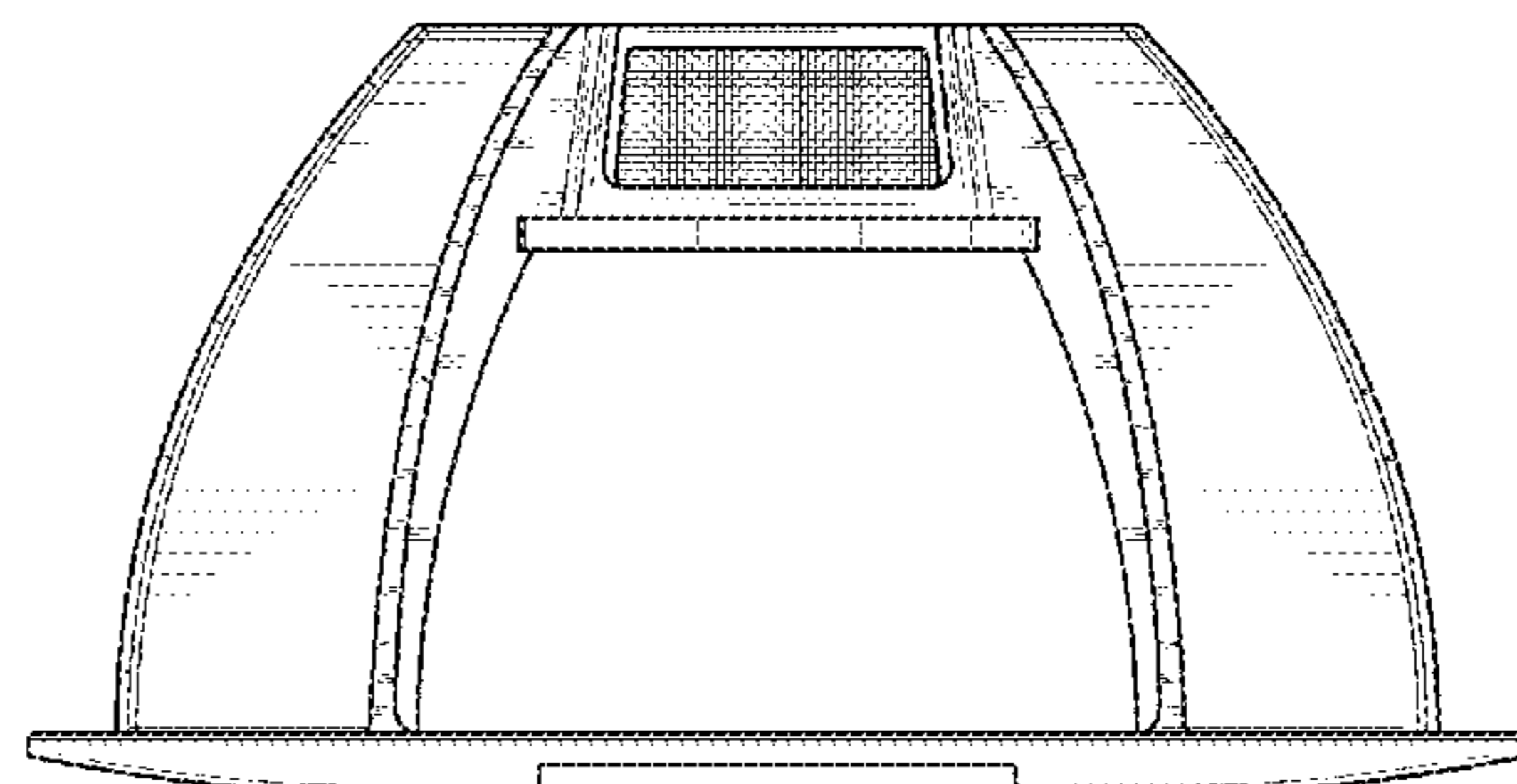
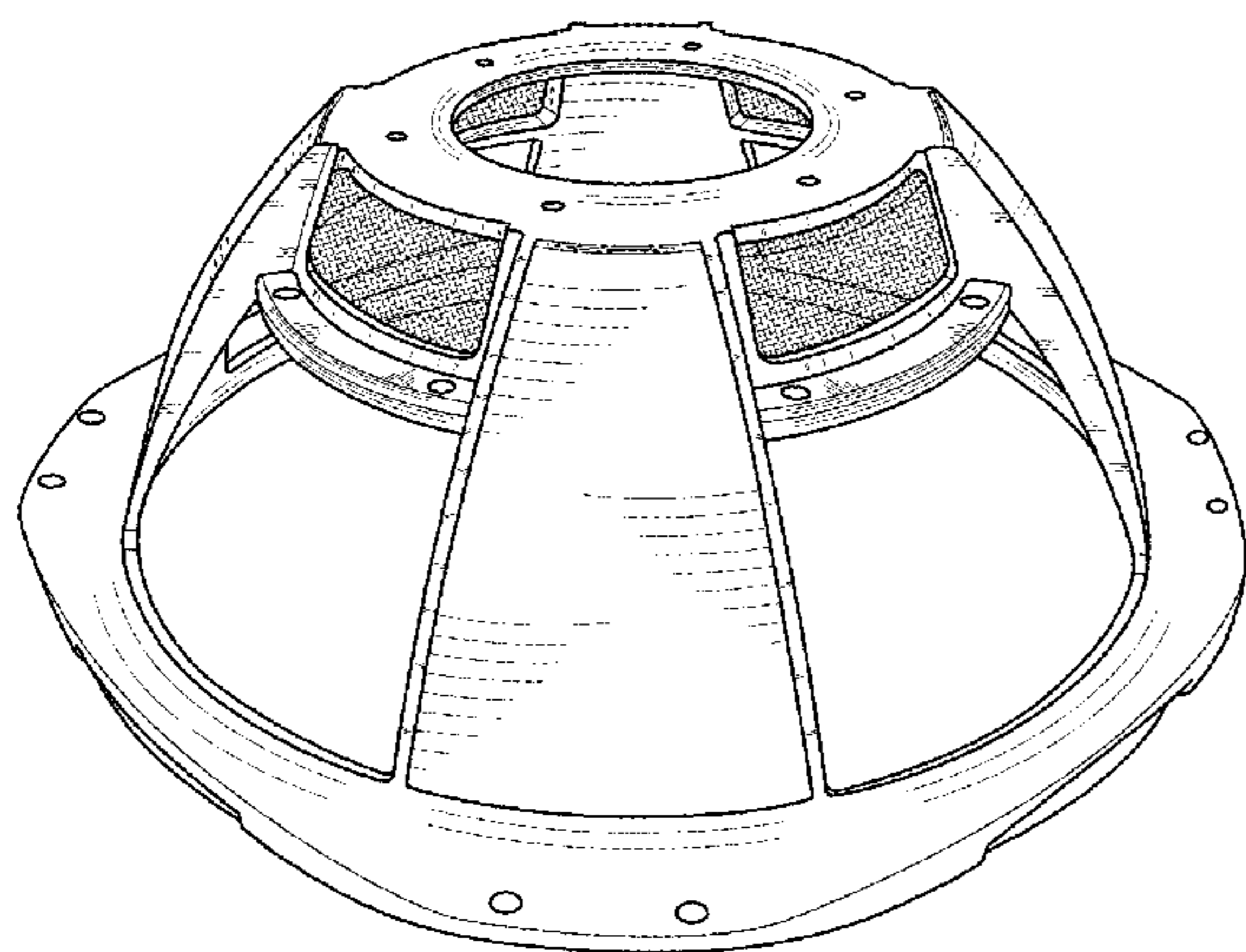
(57) **CLAIM**

The ornamental design for speaker basket with spokes, as shown and described.

DESCRIPTION

FIG. 1 is an isometric view of a speaker basket with spokes showing my new design;
FIG. 2 is a front view thereof;
FIG. 3 is a rear view thereof;
FIG. 4 is a bottom view thereof; and,
FIG. 5 is a top view thereof.
The broken lines depict environment that forms no part of the claimed design.

1 Claim, 5 Drawing Sheets



(56)

References Cited

U.S. PATENT DOCUMENTS

6,308,960 B1 * 10/2001 Peale H04R 9/00
181/199
D451,499 S * 12/2001 Stompler D14/224
6,330,340 B1 * 12/2001 Proni H04R 9/022
381/397
D455,733 S * 4/2002 Stompler D14/224
6,568,502 B2 * 5/2003 Chang H04R 9/00
181/153
6,738,490 B2 * 5/2004 Brandt H04R 9/02
381/412
6,929,092 B2 * 8/2005 Abe H04R 7/122
181/167
8,175,321 B2 * 5/2012 Bryant H04R 7/122
381/396
8,325,967 B2 * 12/2012 Tanabe H04R 9/04
381/403
D691,595 S * 10/2013 Fuller D14/224
D691,598 S * 10/2013 Fuller D14/224
D741,841 S * 10/2015 Fuller D14/224
2015/0010198 A1 * 1/2015 French H04R 9/06
381/414

* cited by examiner

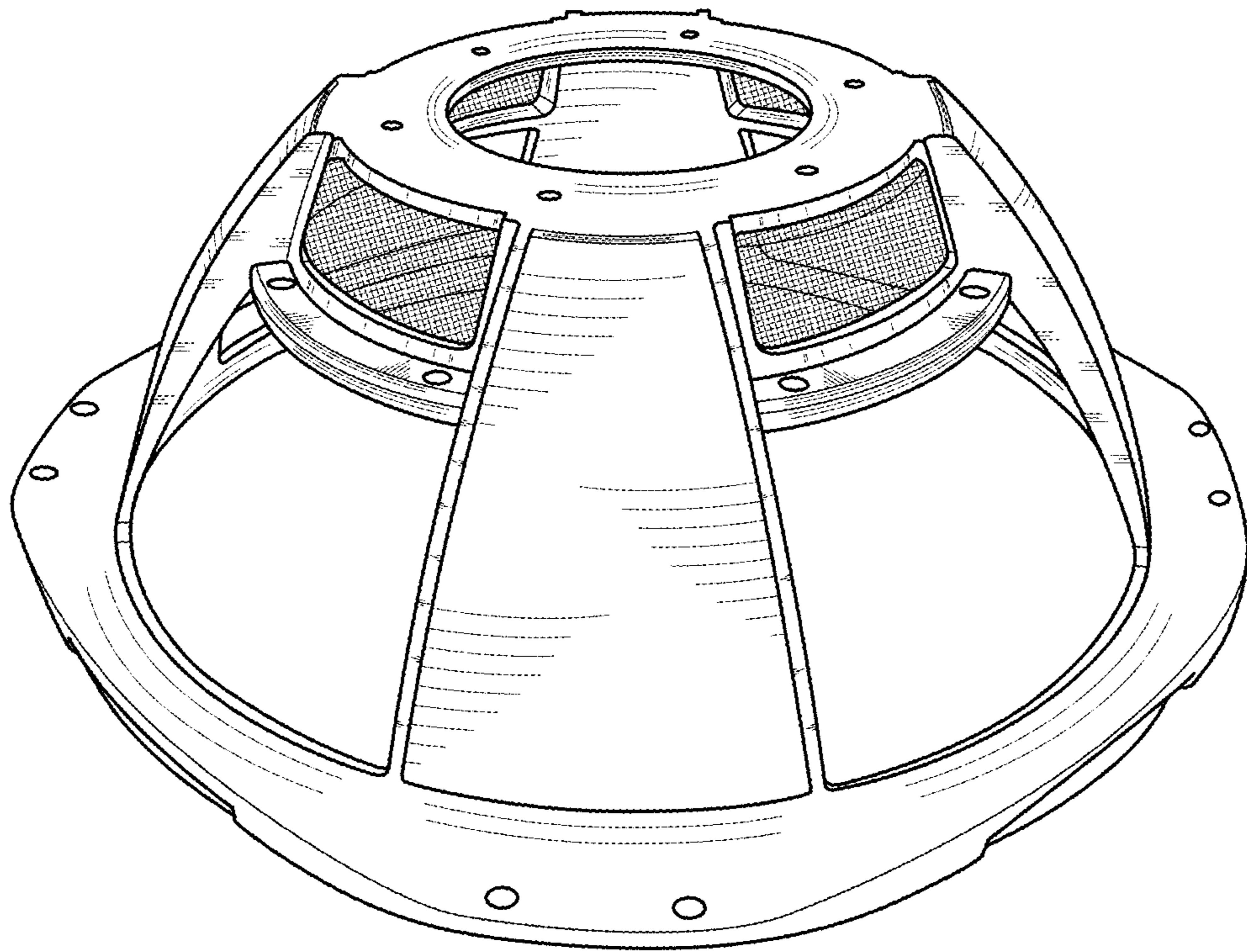


FIG. 1

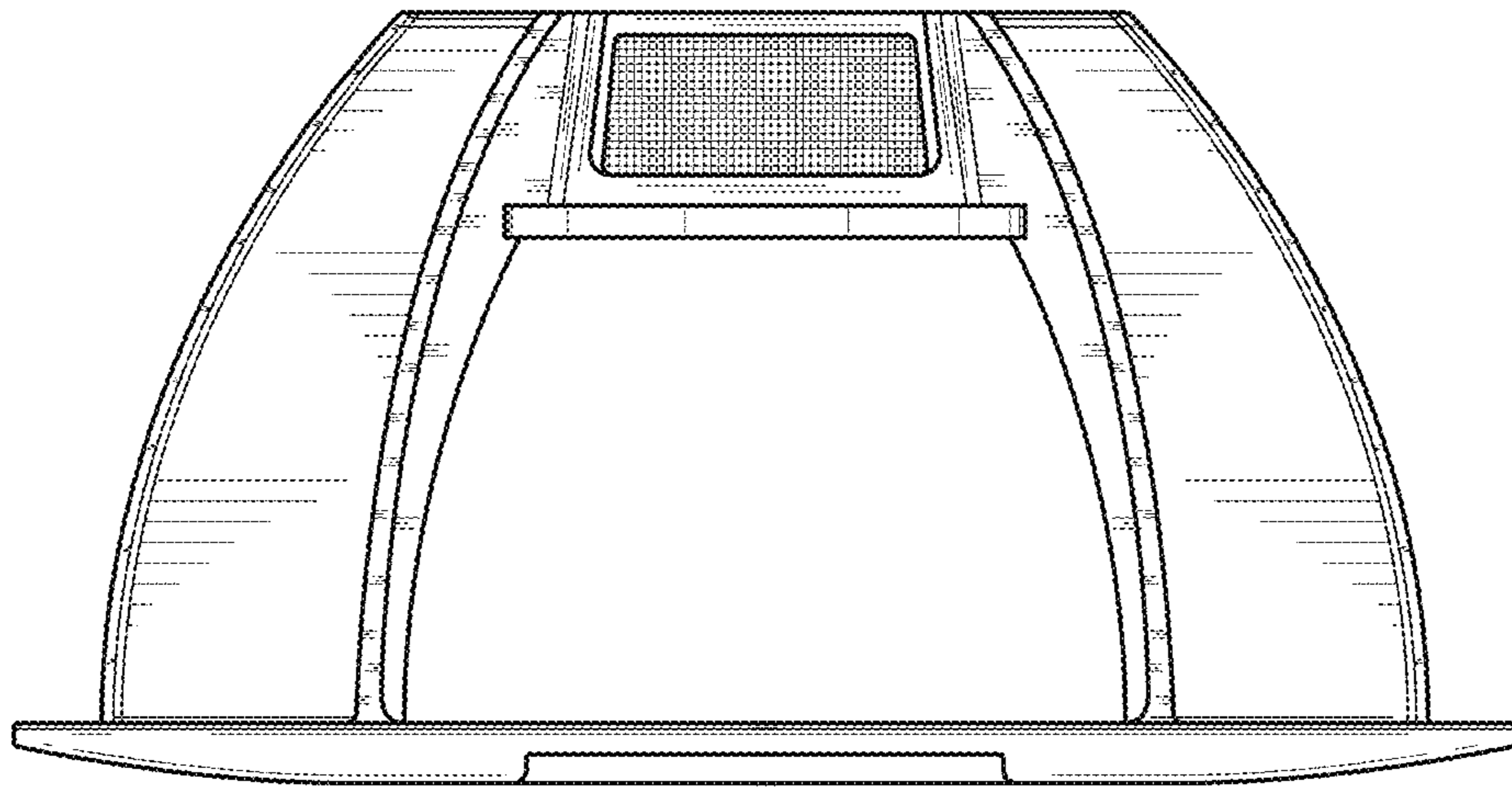


FIG. 2

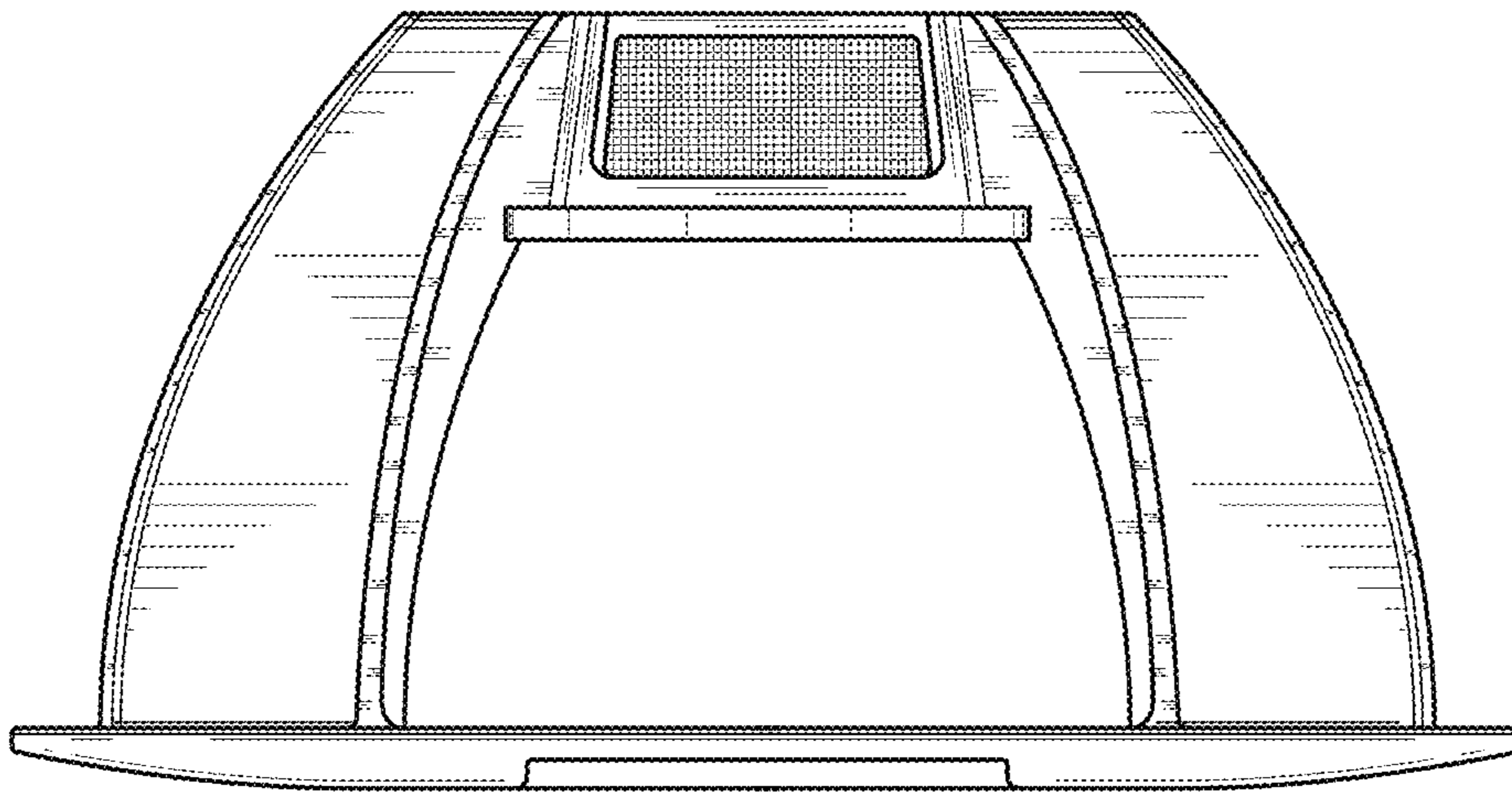


FIG. 3

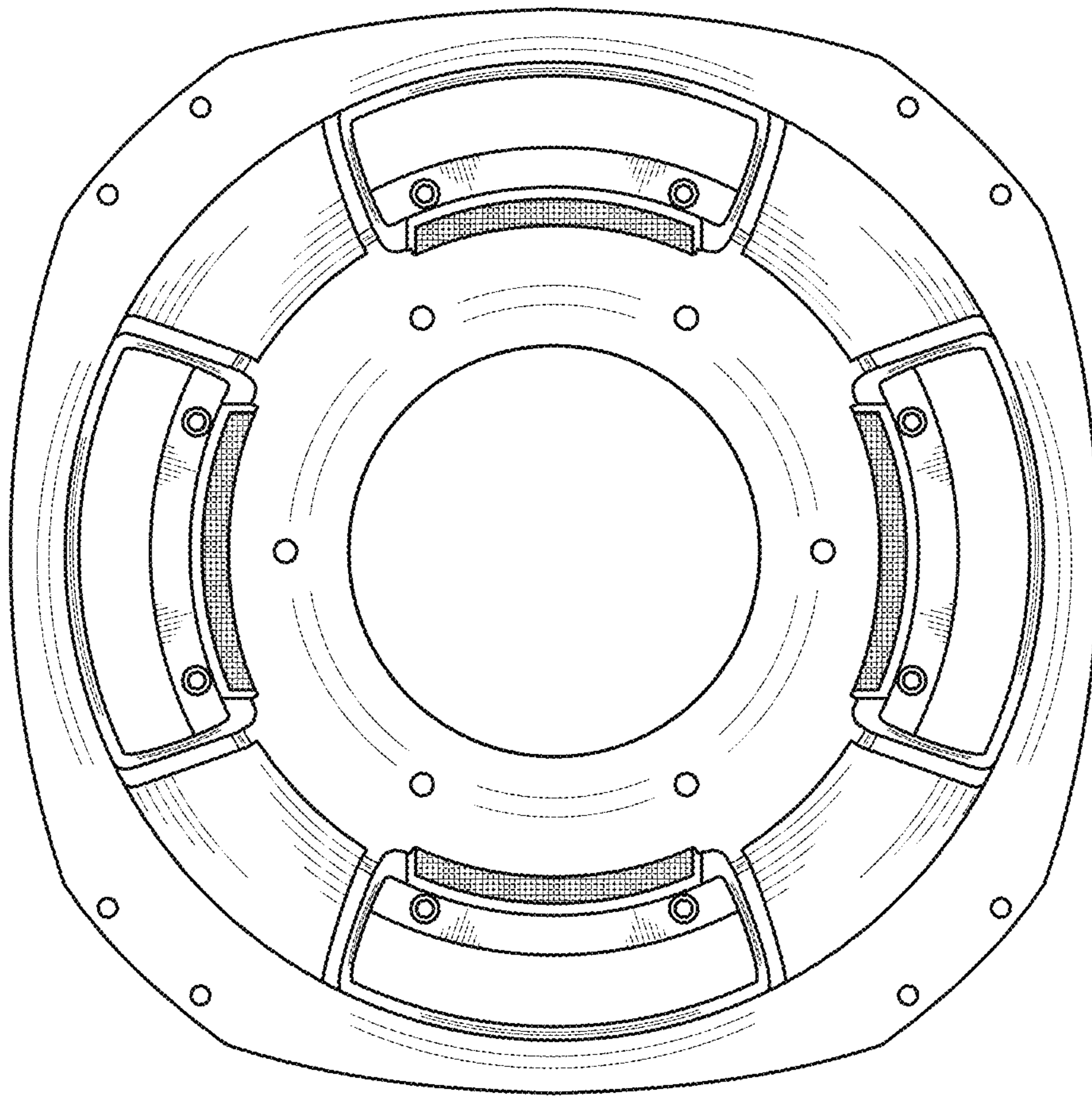


FIG. 4

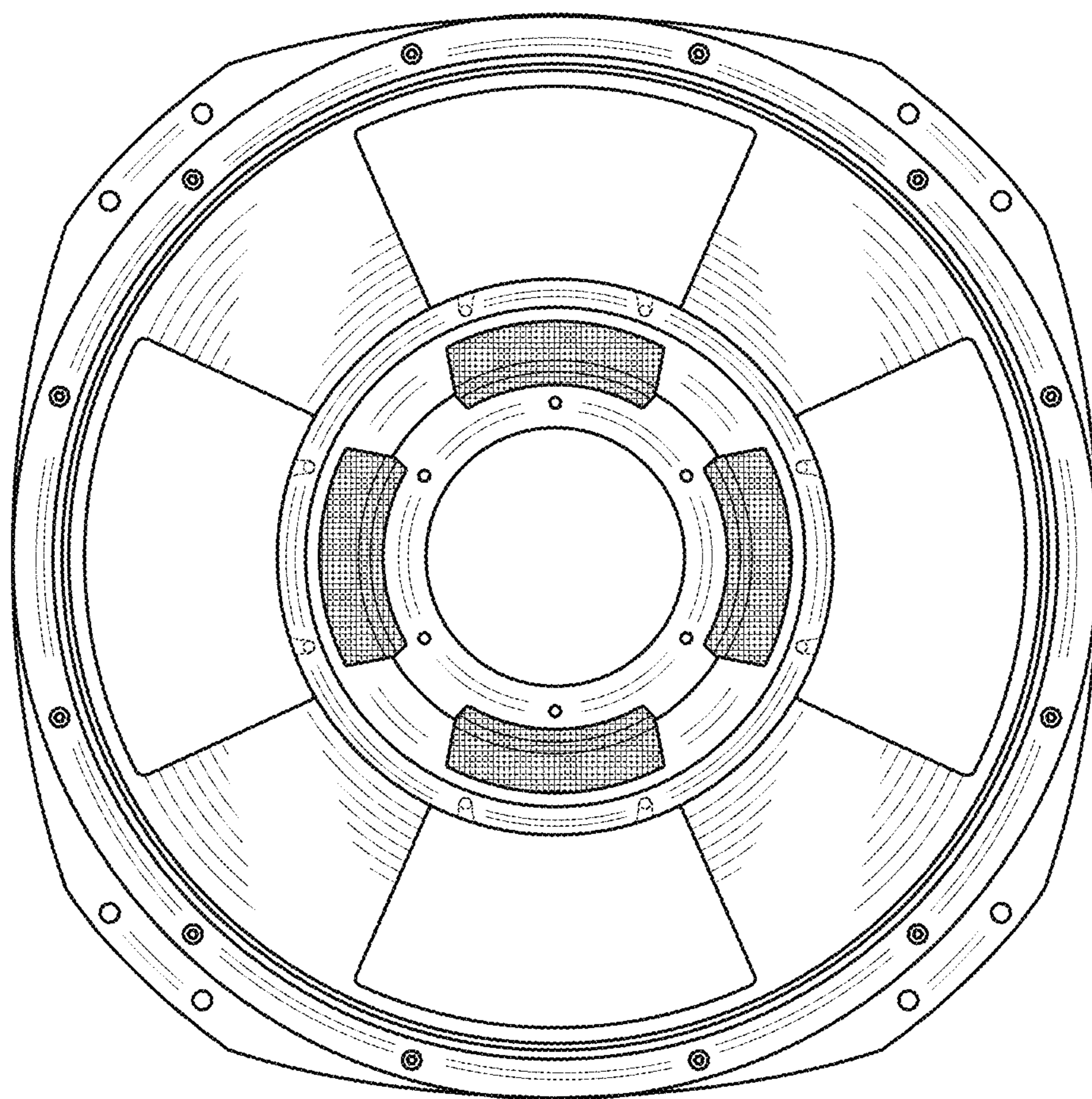


FIG. 5