

US00D848398S

(12) **United States Design Patent**
Huang

(10) **Patent No.:** **US D848,398 S**

(45) **Date of Patent:** **** May 14, 2019**

(54) **SPEAKER**

(71) Applicant: **Hanzhu Huang**, Shantou (CN)

(72) Inventor: **Hanzhu Huang**, Shantou (CN)

(73) Assignee: **SHENZHEN NARUI ELECTRONIC CO., LTD.**, Shenzhen (CN)

(**) Term: **15 Years**

(21) Appl. No.: **29/611,939**

(22) Filed: **Jul. 27, 2017**

(51) **LOC (11) Cl.** **14-01**

(52) **U.S. Cl.**
USPC **D14/216**

(58) **Field of Classification Search**
USPC D14/167, 168, 170–172, 188, 192,
D14/194–196, 204, 205, 207, 209.1,
D14/210–216, 219, 221–223, 496;
181/198, 199; 381/300, 303, 332, 334,
381/336, 345
CPC H04R 1/02; H04R 1/021; H04R 1/025;
H04R 1/026; H04R 1/028; H04R 1/34;
H04R 1/40; H04R 1/323; H04R 1/403;
H04R 1/345; H04R 1/2803; H04R
1/2834; H04R 5/02; H04R 9/06; H04R
2201/021; H04R 2400/00; H04R 2400/07;
H04R 2400/03; H04R 5/033; H04R
5/0335; B60R 11/0217; G06F 1/1688;
G10K 9/22; G10K 11/004; H03F 1/327;
H04N 5/642

See application file for complete search history.

(56) **References Cited**

U.S. PATENT DOCUMENTS

D288,560 S *	3/1987	Anderson	D14/212
D752,014 S *	3/2016	Bolmstrand	D14/204
D765,163 S *	8/2016	Seymour	D17/5
D771,142 S *	11/2016	Langhammer	D14/203.6
D792,468 S *	7/2017	Langhammer	D14/203.3
D814,436 S *	4/2018	Wen	D14/150
D815,149 S *	4/2018	Langhammer	D14/496
D820,238 S *	6/2018	Boshemitzan	D14/218
D820,318 S *	6/2018	Mullins	D14/496
D826,205 S *	8/2018	Langhammer	D14/203.6
D829,242 S *	9/2018	Laine	D14/496
D835,062 S *	12/2018	Langhammer	D14/203.6
D835,070 S *	12/2018	DePasquale	D14/216
D836,610 S *	12/2018	Yoon	D14/216

* cited by examiner

Primary Examiner — R. Johnson

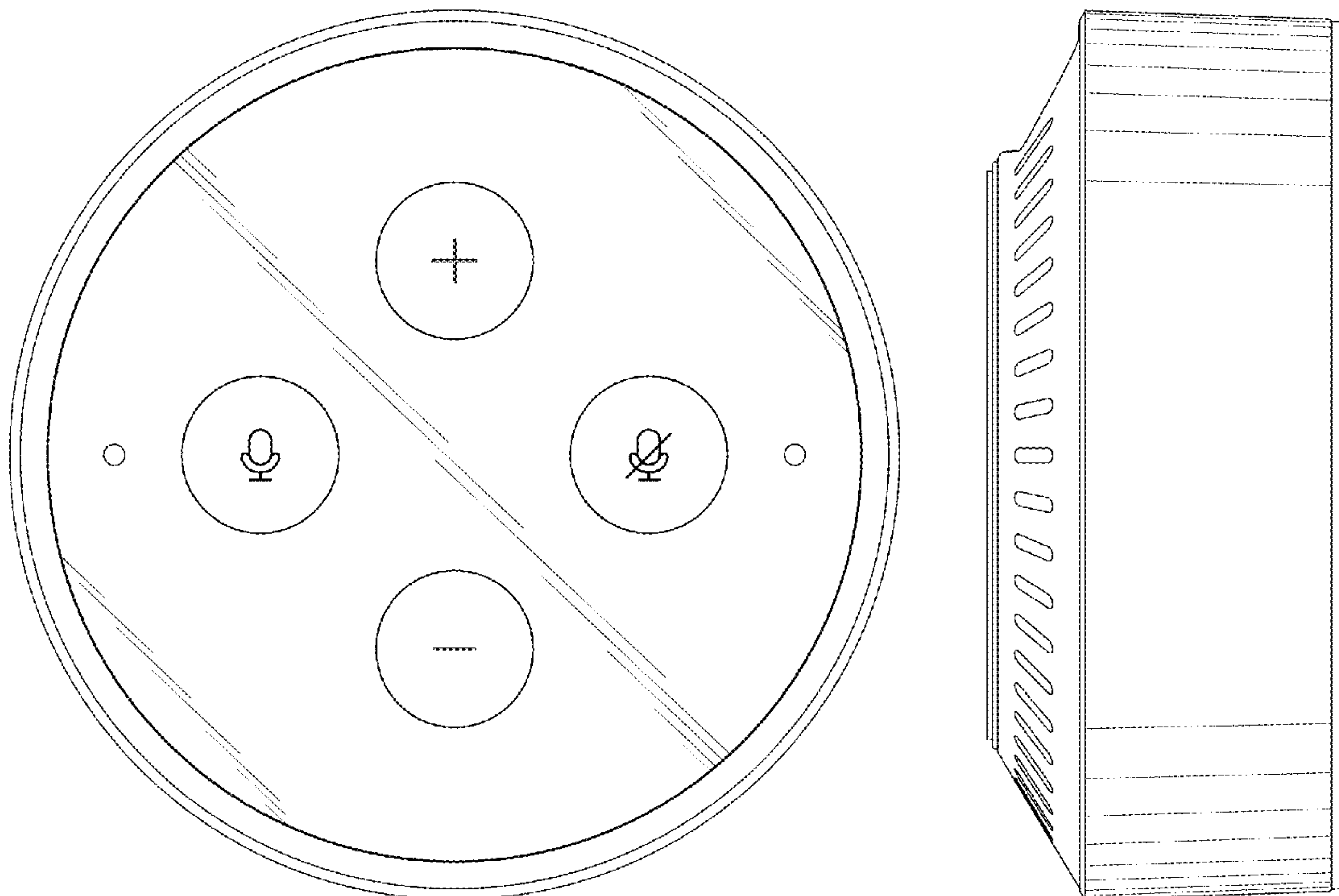
(57) **CLAIM**

The ornamental design for a speaker, as shown and described.

DESCRIPTION

FIG. 1 is a front elevational view of a speaker showing my new design;
FIG. 2 is a rear elevational view thereof;
FIG. 3 is a left side elevational view thereof;
FIG. 4 is a right side elevational view thereof;
FIG. 5 is a top plan view thereof;
FIG. 6 is a bottom plan view thereof; and,
FIG. 7 is a perspective view thereof.

1 Claim, 7 Drawing Sheets



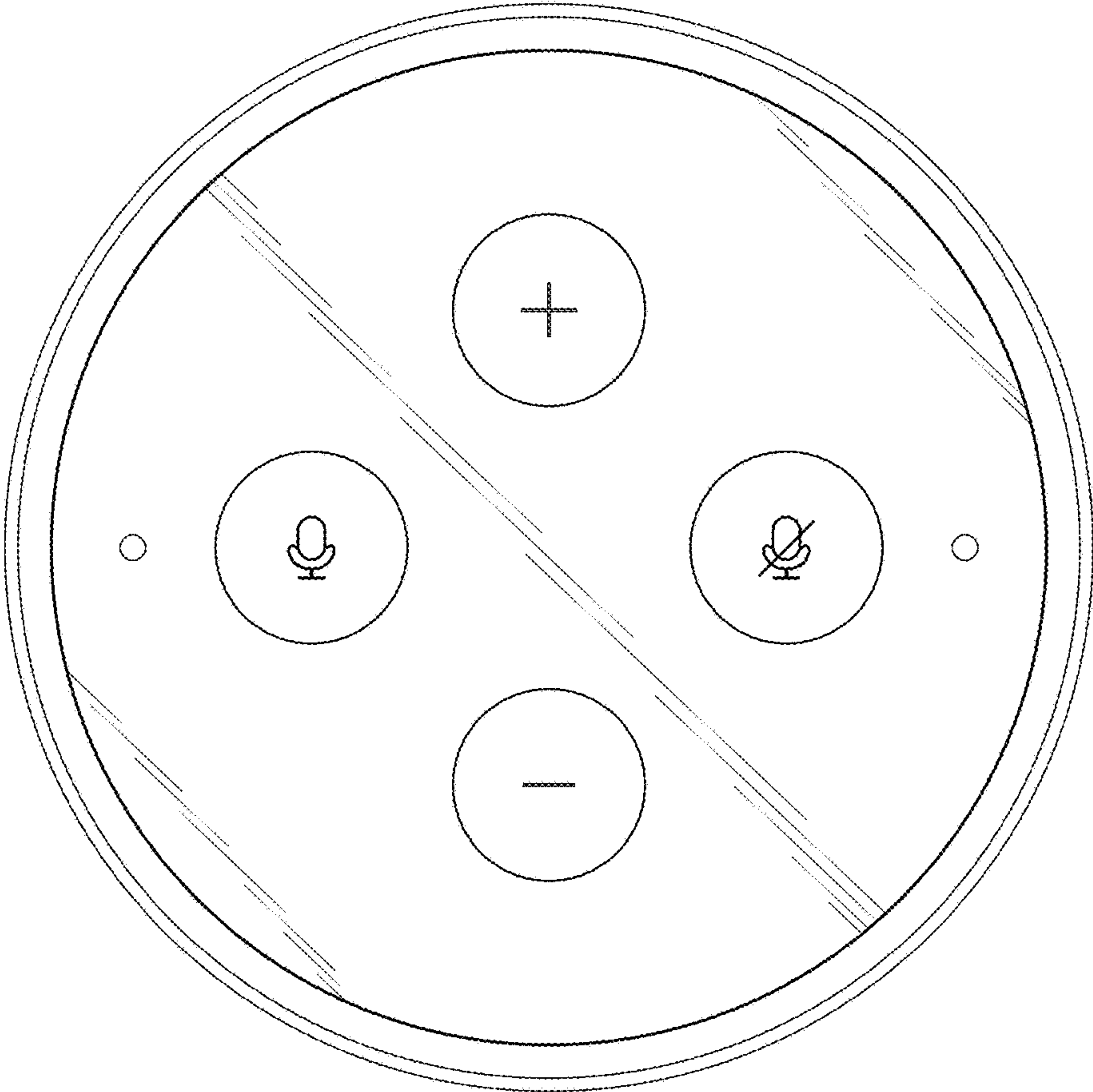


FIG.1

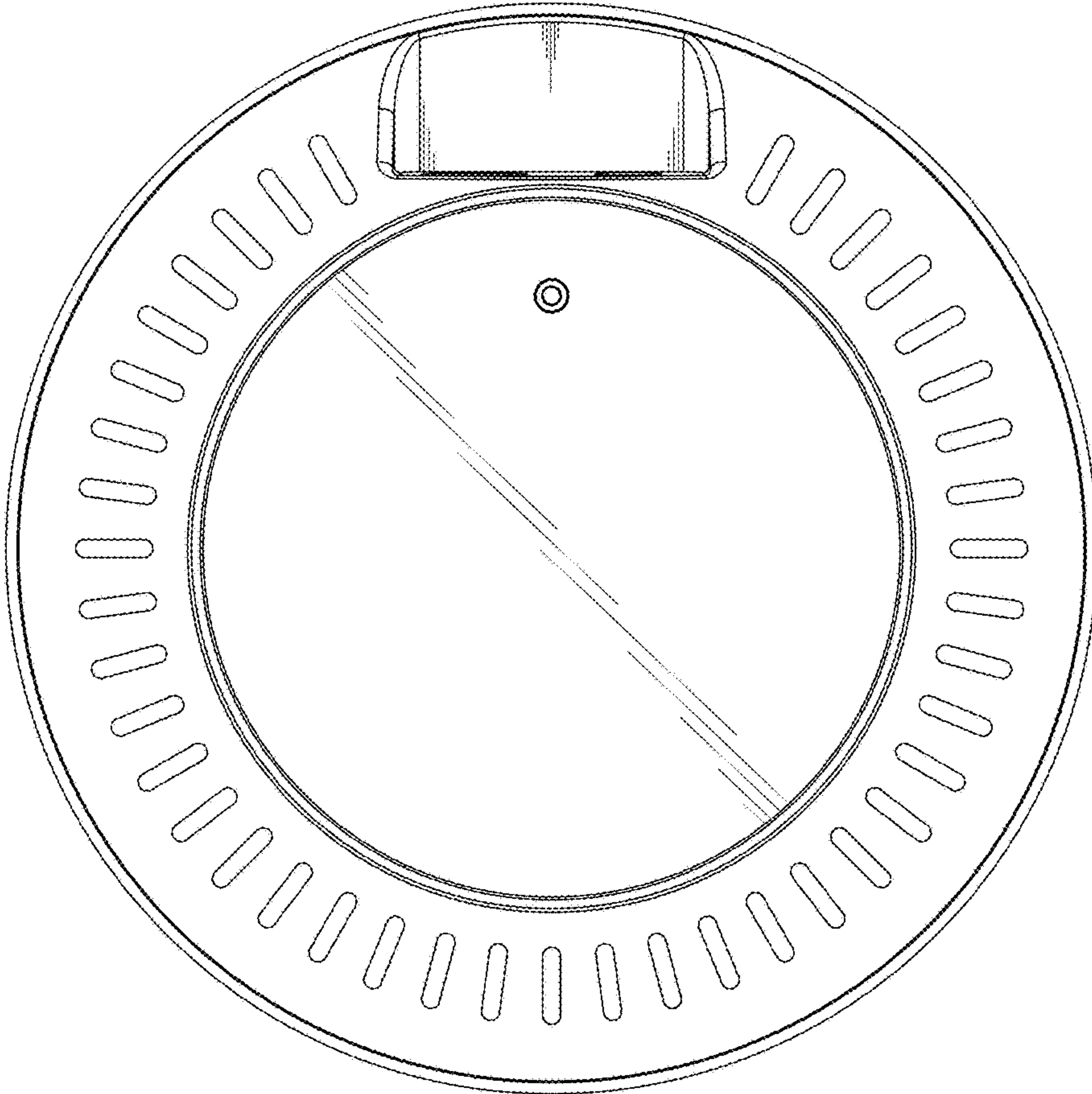


FIG.2

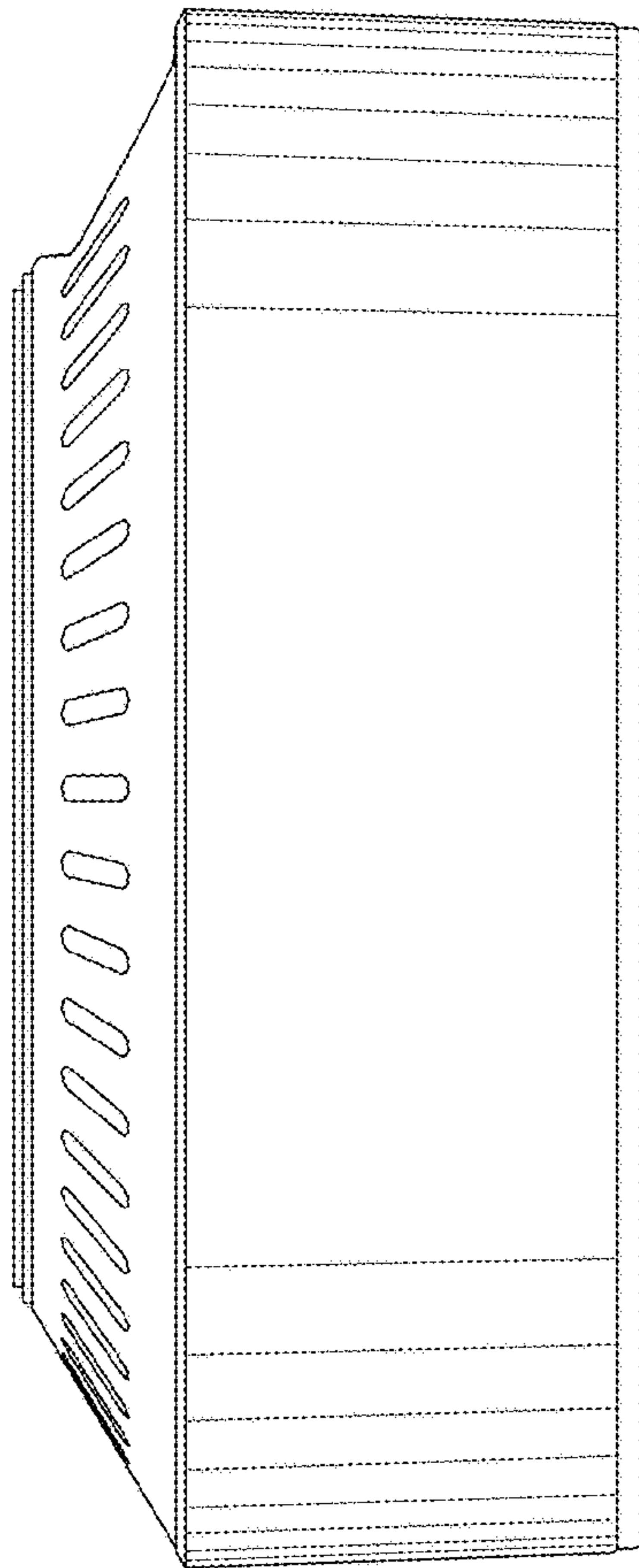


FIG.3

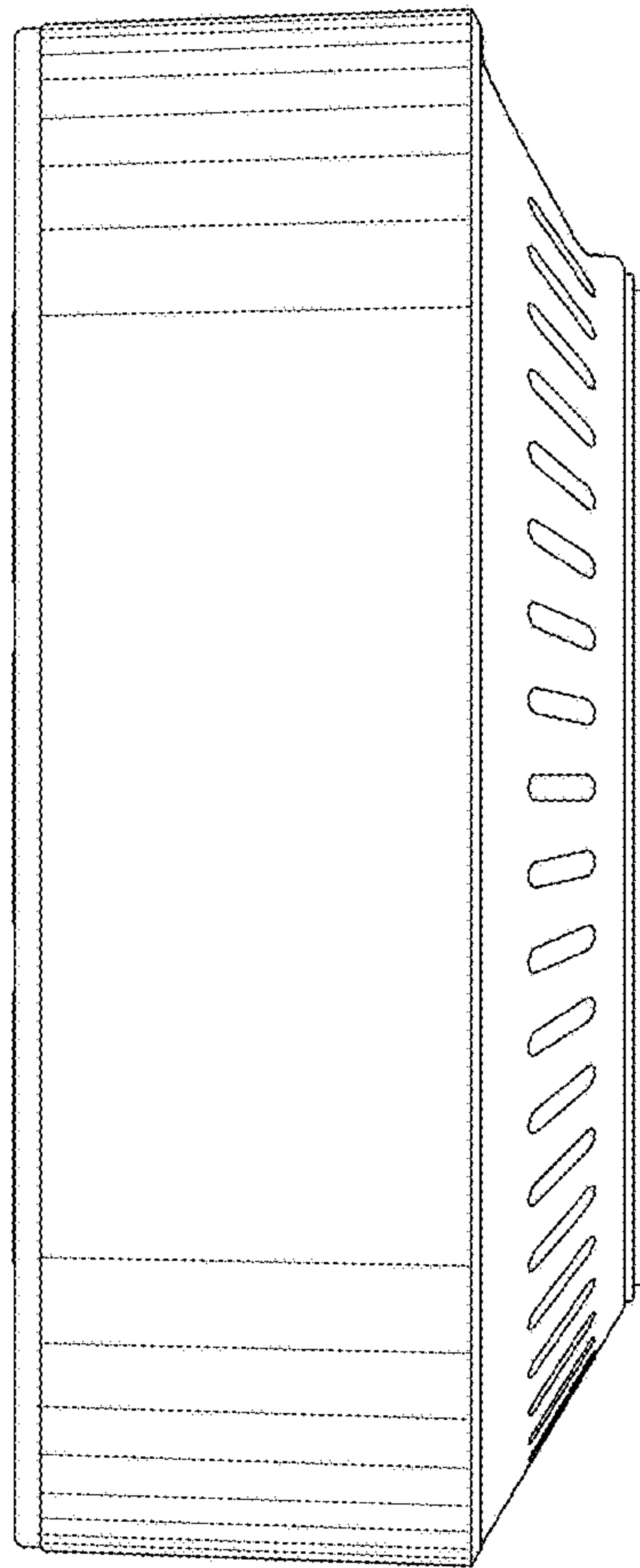


FIG.4

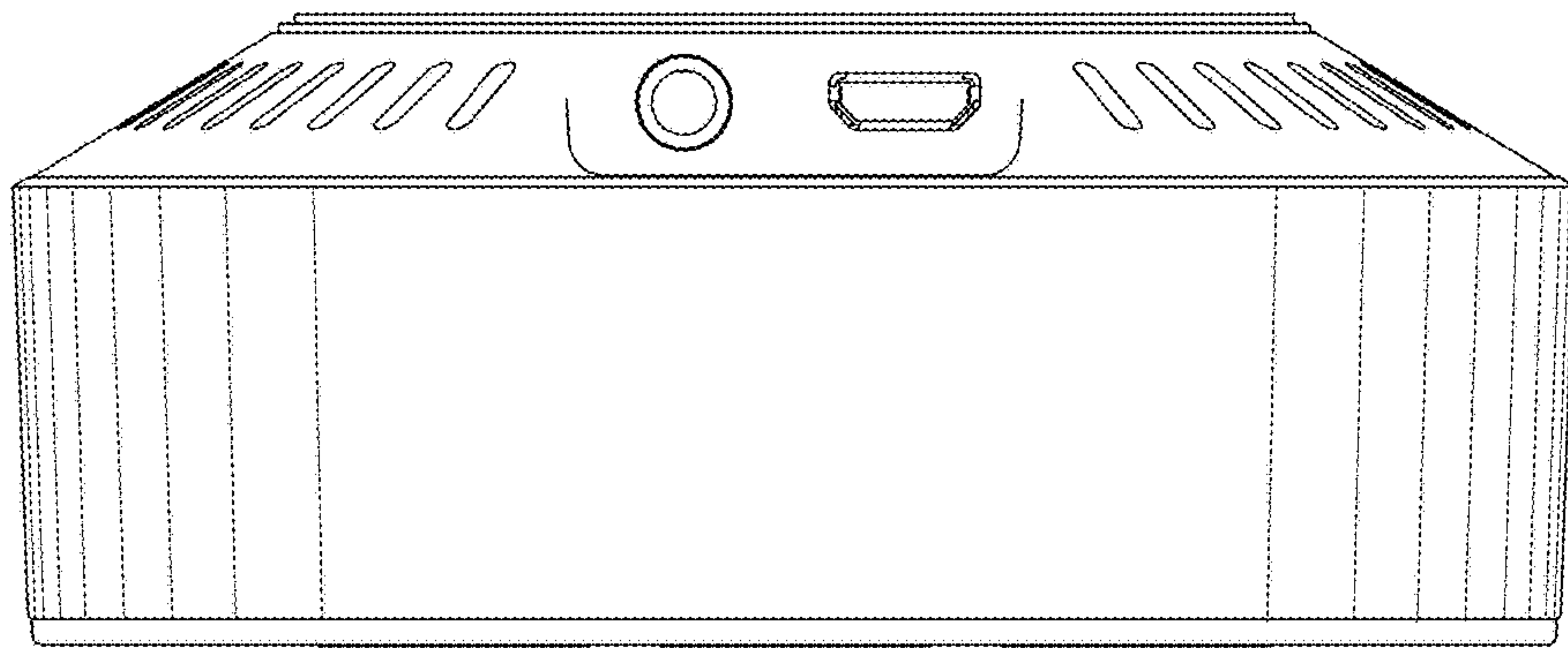


FIG.5

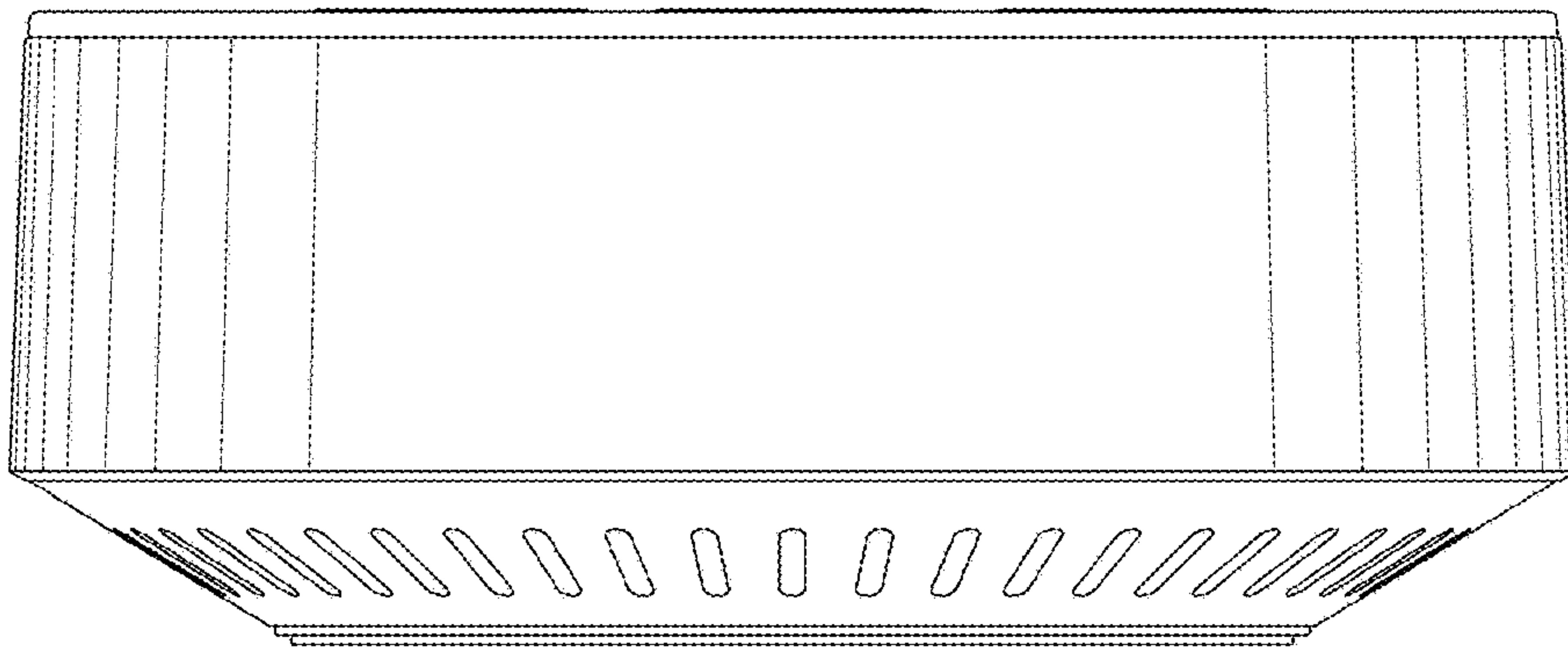


FIG.6

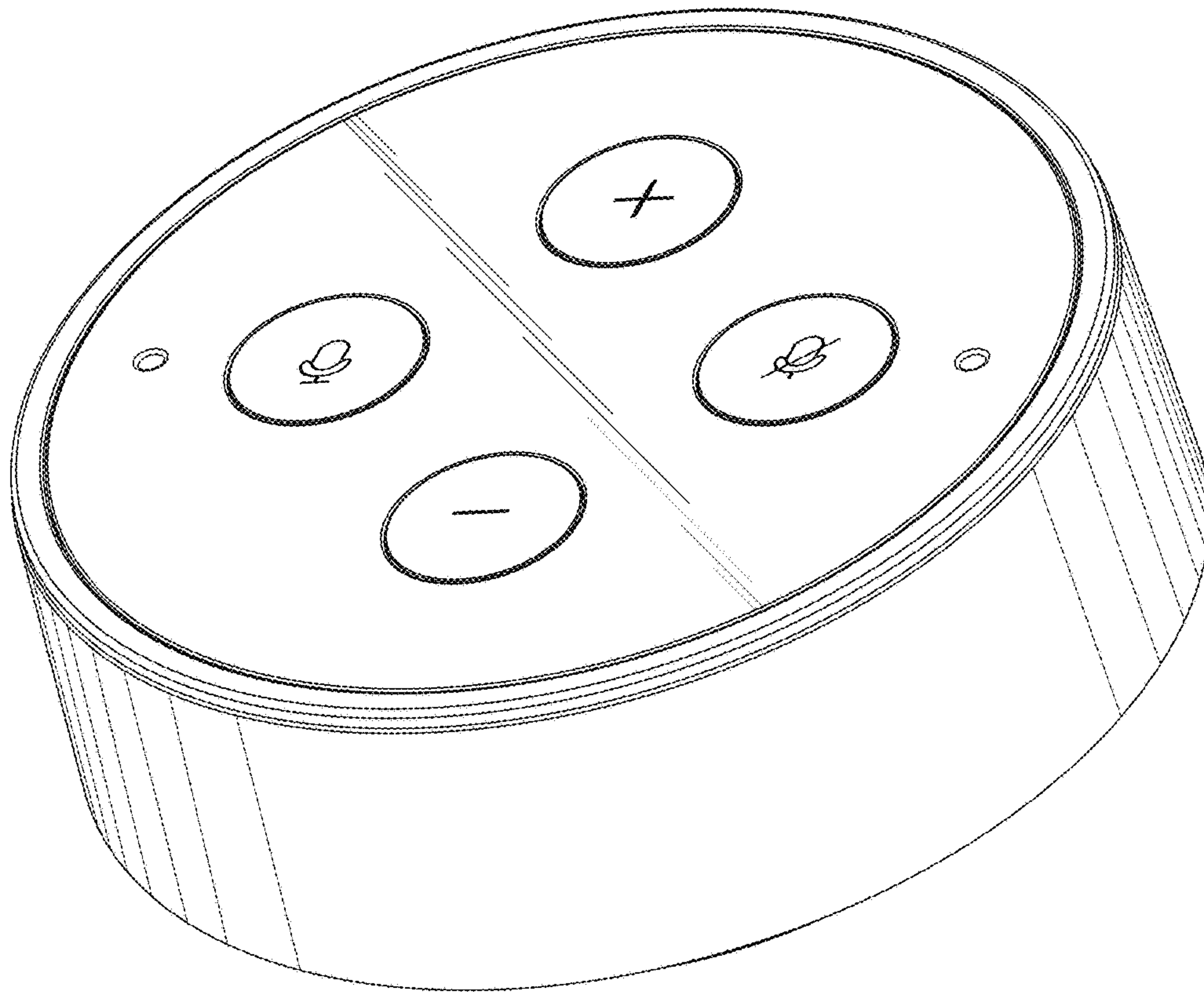


FIG.7