



US00D848395S

(12) **United States Design Patent**
Kelley

(10) **Patent No.:** **US D848,395 S**

(45) **Date of Patent:** **** May 14, 2019**

(54) **COMMUNICATIONS HEADSET**

(71) Applicant: **Plantronics, Inc.**, Santa Cruz, CA (US)

(72) Inventor: **John A Kelley**, Santa Cruz, CA (US)

(73) Assignee: **Plantronics, Inc.**, Santa Cruz, CA (US)

(**) Term: **15 Years**

(21) Appl. No.: **29/613,092**

(22) Filed: **Aug. 7, 2017**

(51) **LOC (11) Cl.** **14-01**

(52) **U.S. Cl.**
USPC **D14/205**

(58) **Field of Classification Search**
USPC D14/205, 206, 188, 192; D29/112;
2/209; 181/129, 130, 135; 379/430, 431;
381/380, 381, 370, 374, 74; 455/90.3,
455/575.1, 569.1

CPC H04R 25/00; H04R 1/1066; H04R 1/1016;
H04R 1/1091; H04R 1/10; H04R 1/1041;
H04R 5/033; H04R 5/0335

See application file for complete search history.

(56) **References Cited**

U.S. PATENT DOCUMENTS

D68,060 S *	4/1925	Pacent	D14/249
2,149,341 A *	3/1939	Harrison	H04R 1/1066
				248/274.1
2,593,892 A *	4/1952	Kindel	A42B 3/166
				128/866
2,754,519 A *	7/1956	Kindel	A61F 11/14
				128/866
2,801,423 A *	8/1957	Shaw	A61F 11/14
				128/866
2,858,544 A *	11/1958	Roth	A61F 11/14
				128/866
D203,677 S *	2/1966	Spilman	D14/205

(Continued)

FOREIGN PATENT DOCUMENTS

JP	D1409640 S	3/2011
JP	D1467440 S	4/2013

(Continued)

OTHER PUBLICATIONS

Taiwan IPO Search Report issued in Taiwan Design Patent Application No. 107300525 dated Aug. 4, 2018 and English translation thereof (2 pages).

(Continued)

Primary Examiner — Paula Allen Greene

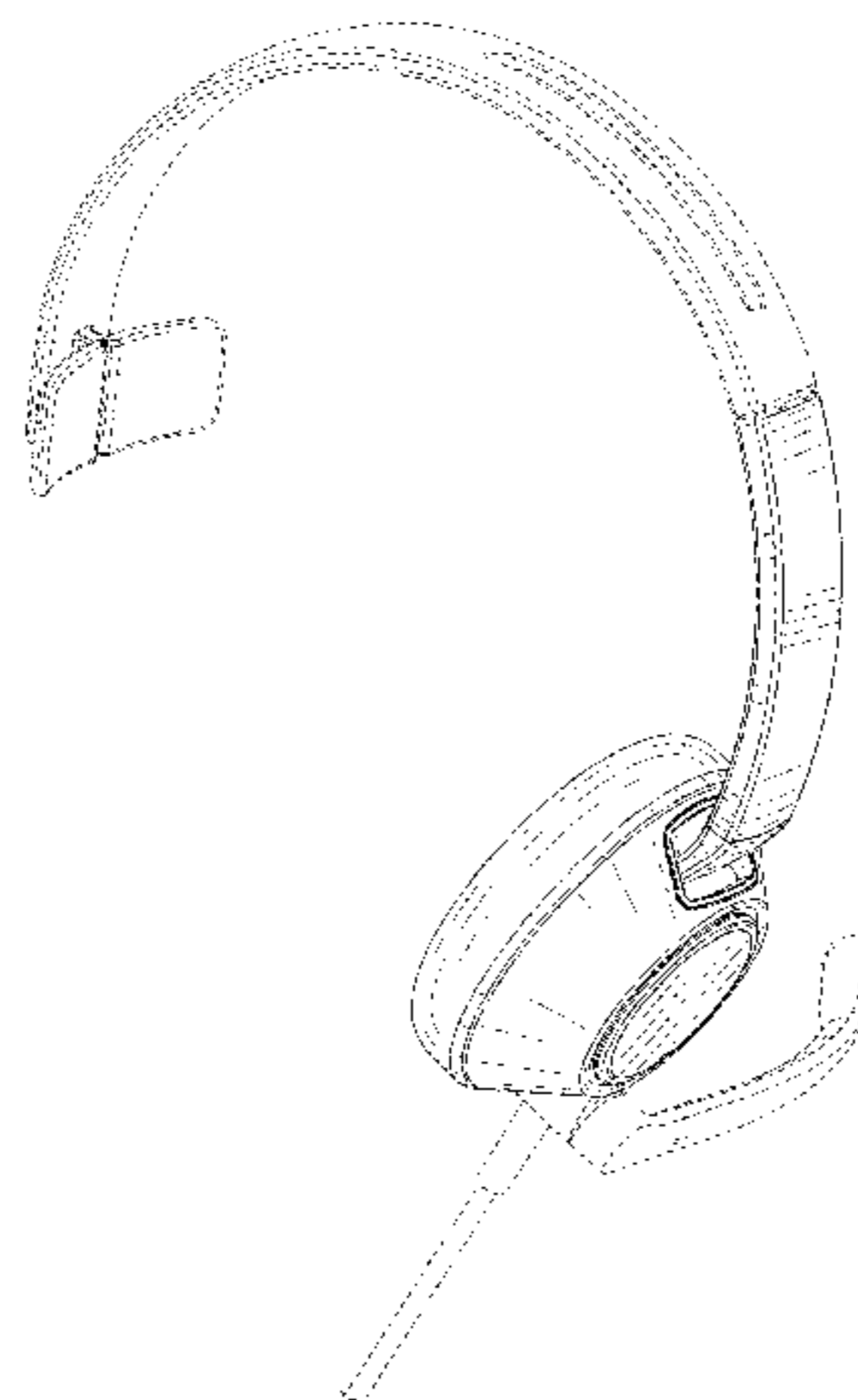
(57) **CLAIM**

The ornamental design for a communications headset, as shown and described.

DESCRIPTION

FIG. 1 is a front-left perspective view of a communications headset showing my new design;
 FIG. 2 is a back-right perspective view thereof;
 FIG. 3 is a front view thereof;
 FIG. 4 is a back view thereof;
 FIG. 5 is a right side view thereof;
 FIG. 6 is a left side view thereof;
 FIG. 7 is a top view thereof;
 FIG. 8 is a bottom view thereof;
 FIG. 9 is a front-left perspective view of a second embodiment showing my new design;
 FIG. 10 is a back-right perspective view thereof;
 FIG. 11 is a front view thereof;
 FIG. 12 is a back view thereof;
 FIG. 13 is a right side view thereof;
 FIG. 14 is a left side view thereof;
 FIG. 15 is a top view thereof; and,
 FIG. 16 is a bottom view thereof.
 The broken lines showing the unclaimed features form no part of the claimed design.

1 Claim, 16 Drawing Sheets



(56)

References Cited

U.S. PATENT DOCUMENTS

3,505,684 A * 4/1970 Hutchinson A61F 11/14
2/209
3,562,816 A * 2/1971 Hutchinson A61F 11/14
2/209
D228,352 S * 9/1973 Itagaki D14/205
3,787,899 A * 1/1974 Krawagna H04R 1/1066
2/209
3,810,525 A * 5/1974 Crenna H04R 1/1008
181/129
4,065,645 A * 12/1977 Warner H04R 5/0335
381/371
D266,244 S * 9/1982 Hofer D14/205
4,689,822 A * 8/1987 Houg H04R 1/1066
381/371
D318,053 S * 7/1991 Ludeke D14/205
D328,461 S * 8/1992 Daido D14/205
D353,818 S * 12/1994 Nakamura D14/205
5,551,090 A * 9/1996 Thompson A61F 11/08
128/866
D394,437 S * 5/1998 Landreth D14/206
5,793,878 A * 8/1998 Chang H04R 5/0335
381/370
D409,197 S * 5/1999 Nakamura D14/205
6,392,196 B1 * 5/2002 Lin A61F 11/14
2/209
D494,154 S * 8/2004 Polito D14/206
D498,470 S * 11/2004 Skulley D14/206
D514,086 S * 1/2006 Skulley D14/206
7,020,902 B1 * 4/2006 Tyler A61F 11/14
2/209
D534,155 S * 12/2006 Obata D14/205
D534,156 S * 12/2006 Obata D14/205
D560,654 S * 1/2008 Feng D14/205
D571,354 S * 6/2008 Ng D14/205
D594,847 S * 6/2009 Suzuki D14/205
D603,370 S * 11/2009 Suzuki D14/205
D616,418 S * 5/2010 Morisawa D14/205

D620,474 S * 7/2010 Komiyama D14/205
D625,709 S * 10/2010 Yamamoto D14/223
8,006,320 B1 * 8/2011 Rohbani A61F 11/14
128/866
D654,472 S * 2/2012 Fischer D14/206
D662,080 S * 6/2012 Carr D14/205
8,295,529 B2 * 10/2012 Petersen H04R 1/083
381/371
D673,524 S * 1/2013 Brennwald D14/206
D675,595 S * 2/2013 Cho D14/205
D684,559 S * 6/2013 Groset D14/205
D686,593 S * 7/2013 Larsen D14/205
8,565,468 B2 * 10/2013 Ito H04R 1/105
381/370
D692,853 S * 11/2013 Nokuo D14/205
D712,871 S * 9/2014 McNamara D14/205
D719,135 S * 12/2014 Kelley D14/205
D722,998 S * 2/2015 Sancho D14/205
D725,630 S * 3/2015 Nakagawa D14/205
D736,176 S * 8/2015 Rapitsch D14/205
D794,602 S * 8/2017 Riggs D14/205
D796,478 S * 9/2017 Minn D14/205
D810,718 S * 2/2018 Galler D14/205
D813,194 S * 3/2018 Loh D14/205
2012/0328119 A1 * 12/2012 Heise H04R 1/1066
381/74

FOREIGN PATENT DOCUMENTS

TW D154412 S 7/2013
TW D168777 S 7/2015
TW D171726 S 11/2015

OTHER PUBLICATIONS

Taiwan IPO Search Report issued in Taiwan Design Patent Application No. 107300526 dated Aug. 4, 2018 and English translation thereof (2 pages).

* cited by examiner



FIG. 1



FIG. 2



FIG. 3



FIG. 4

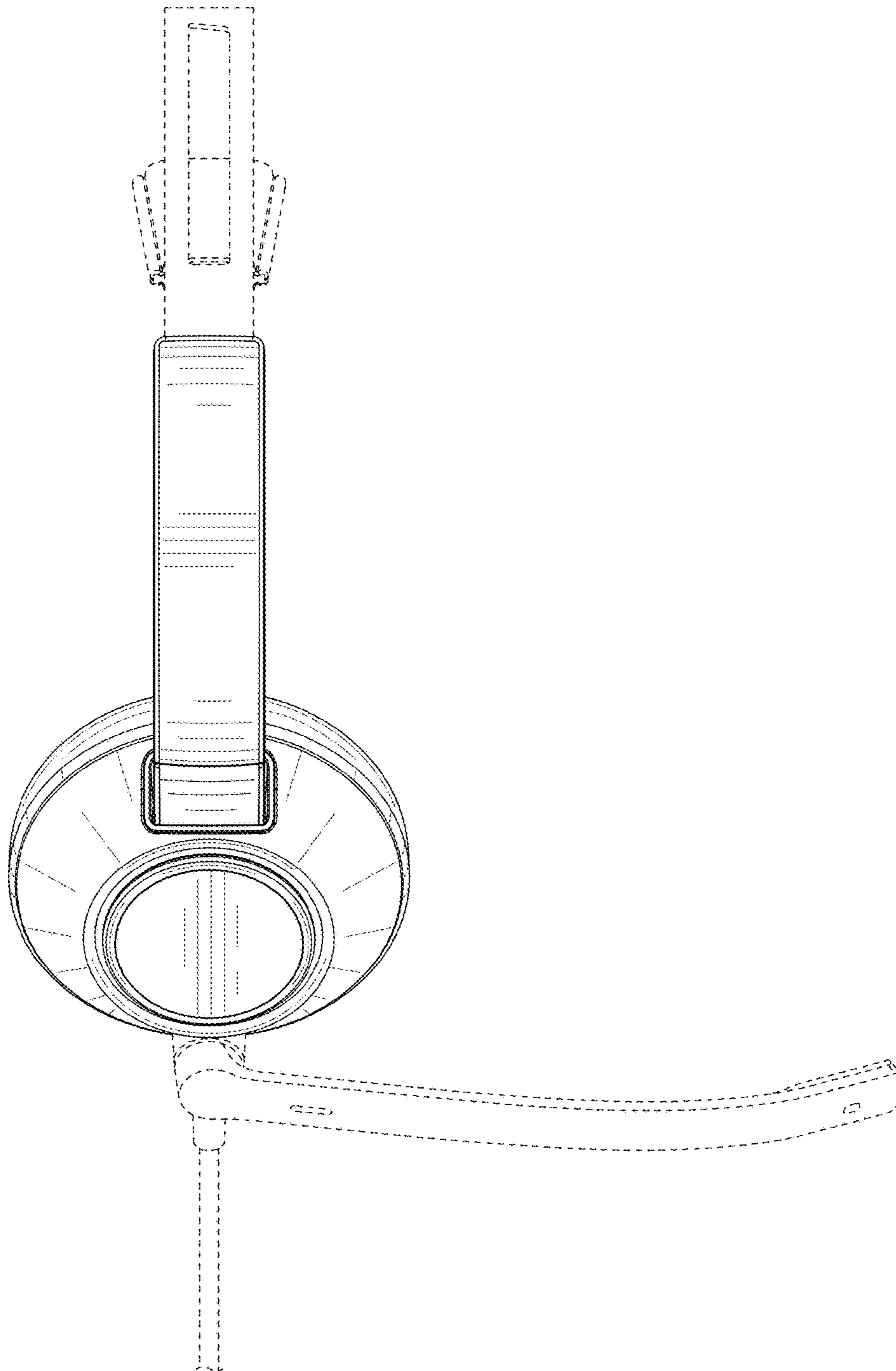


FIG. 5

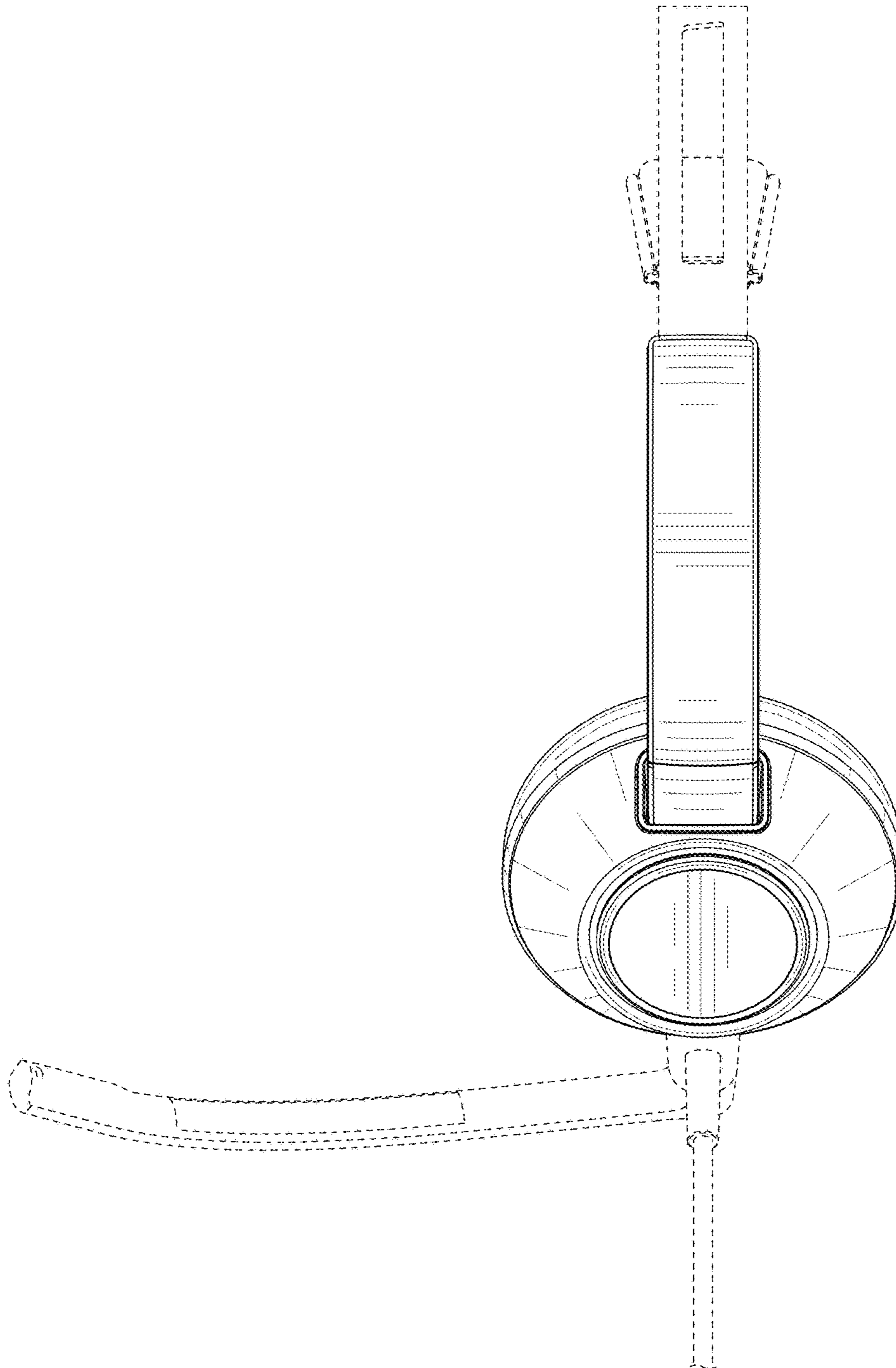


FIG. 6

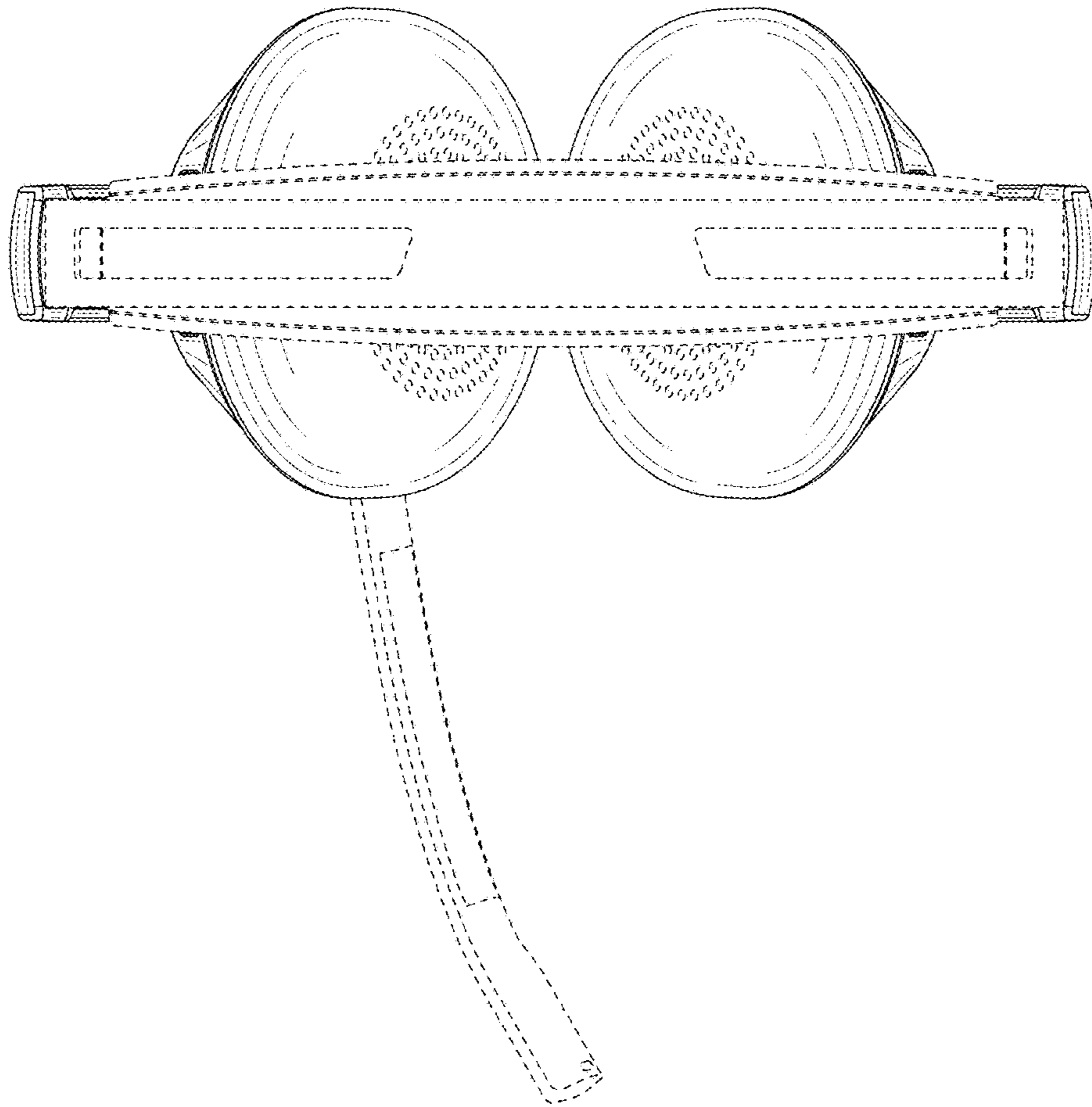


FIG. 7

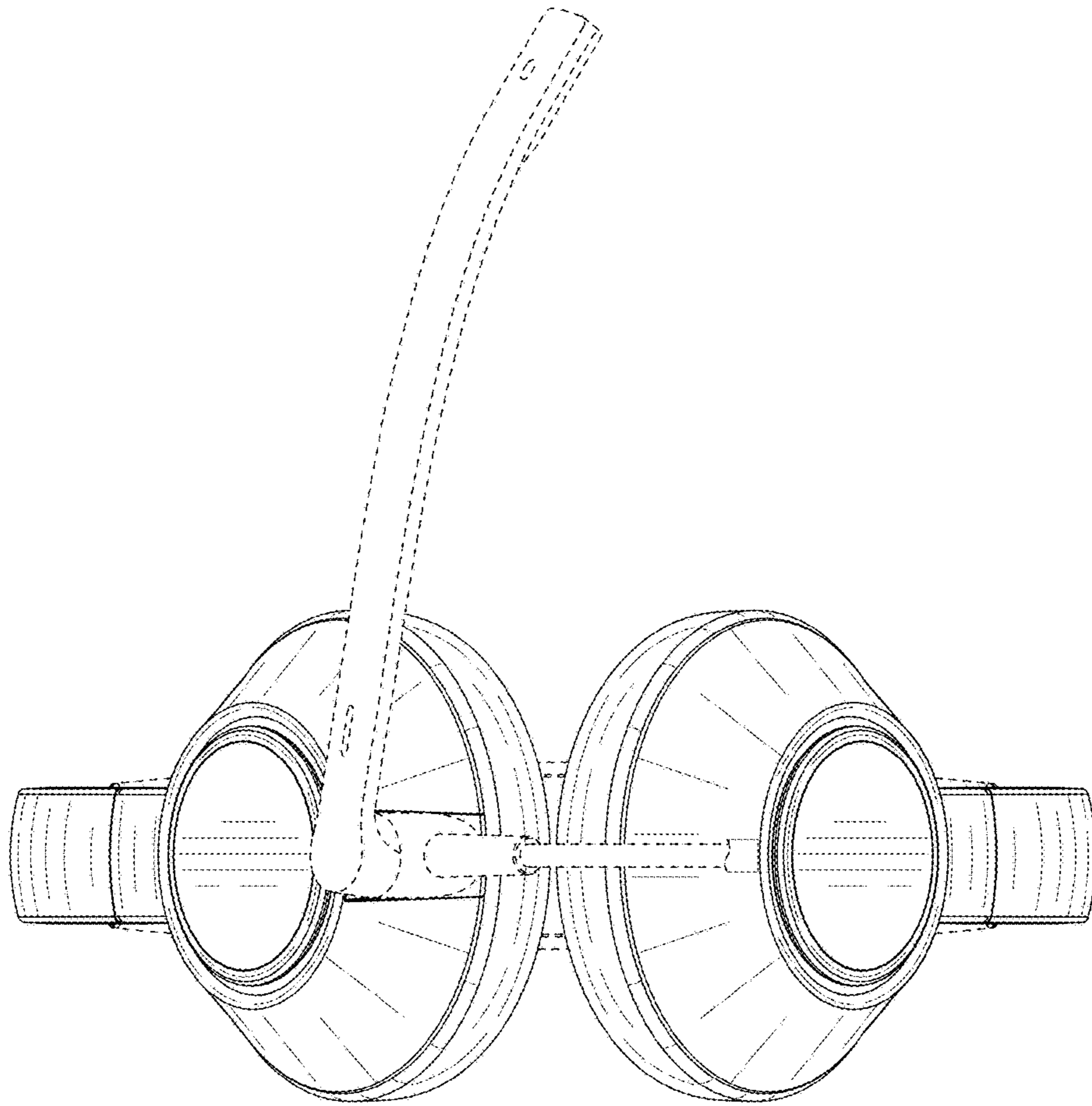


FIG. 8

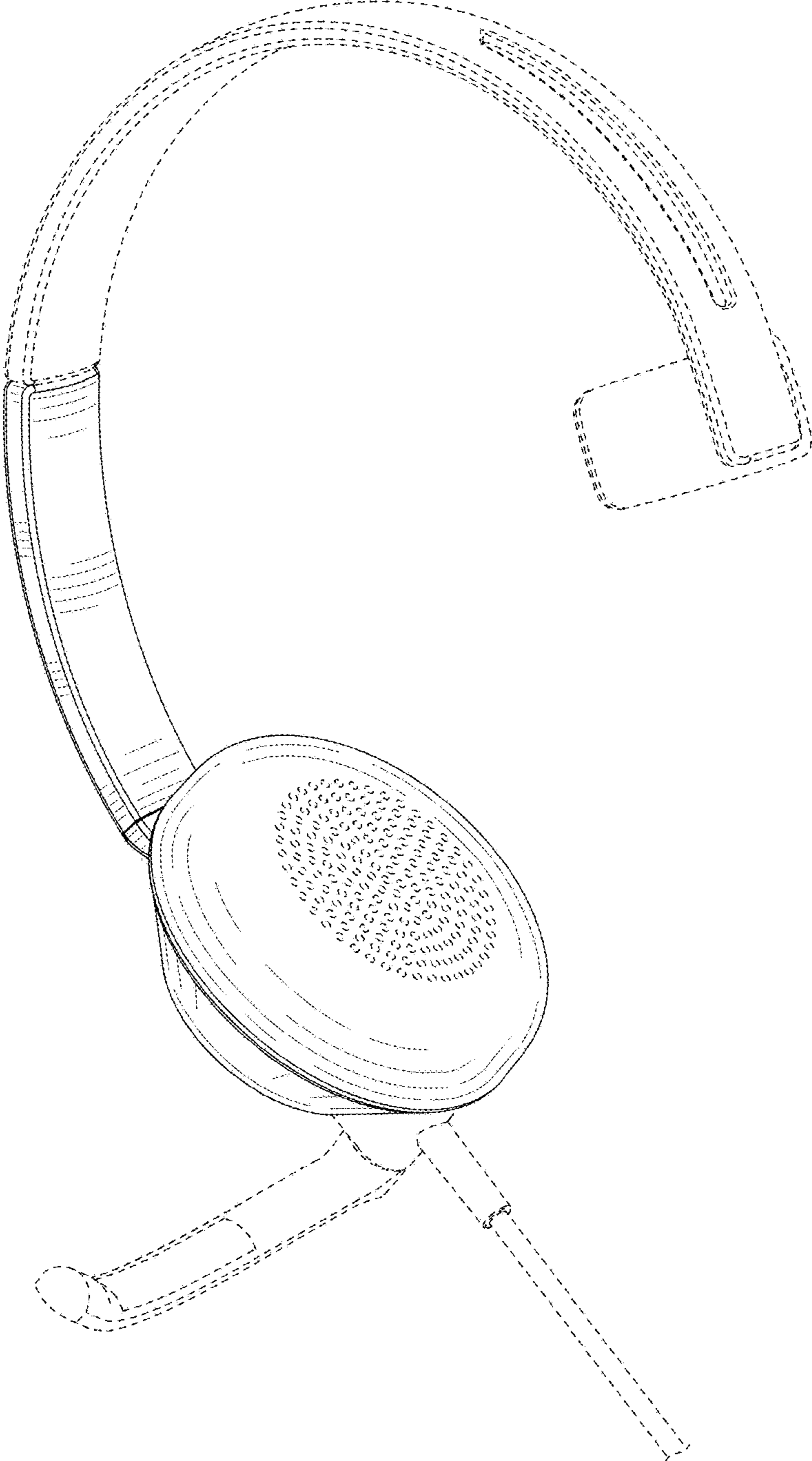


FIG. 9

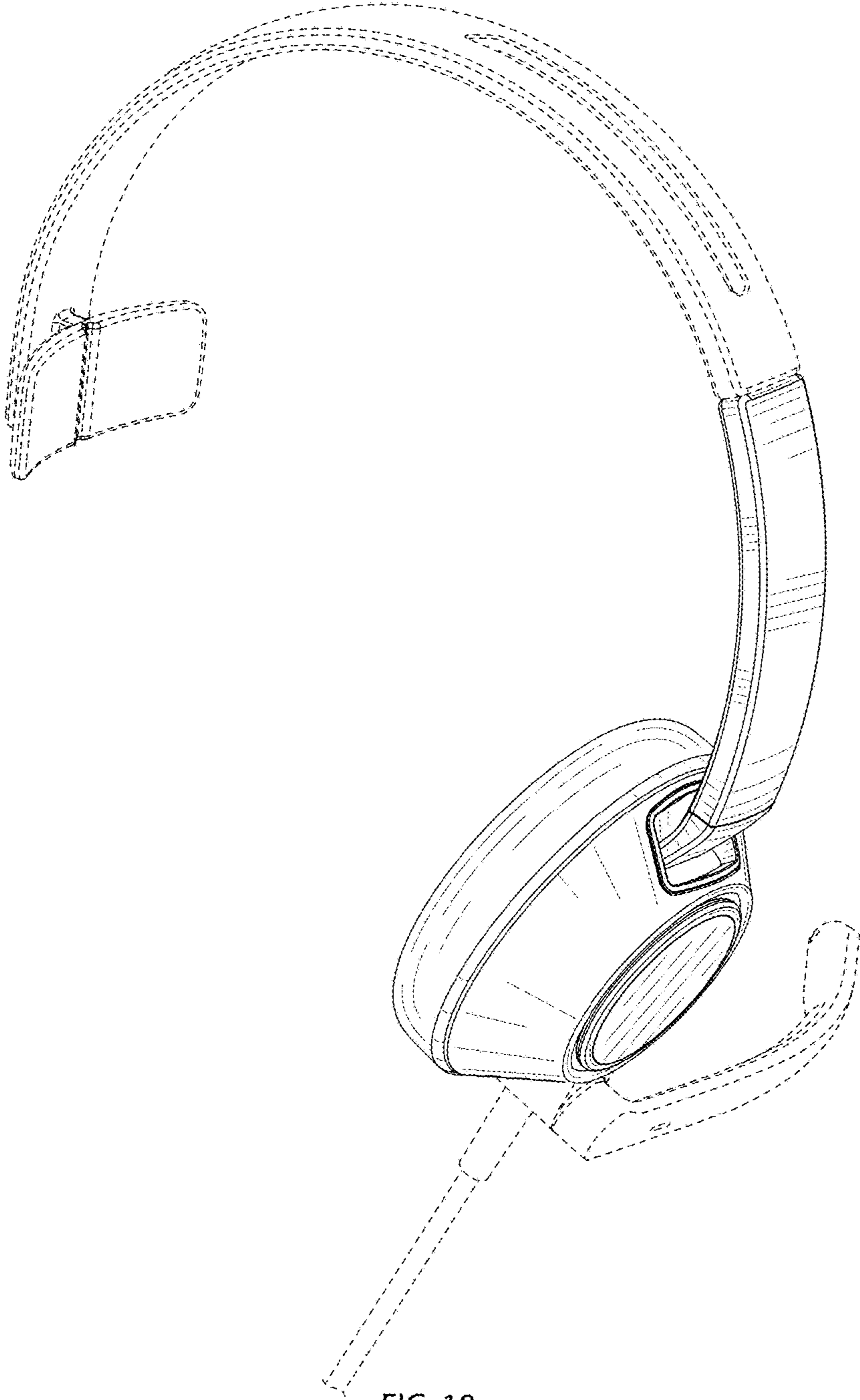


FIG. 10

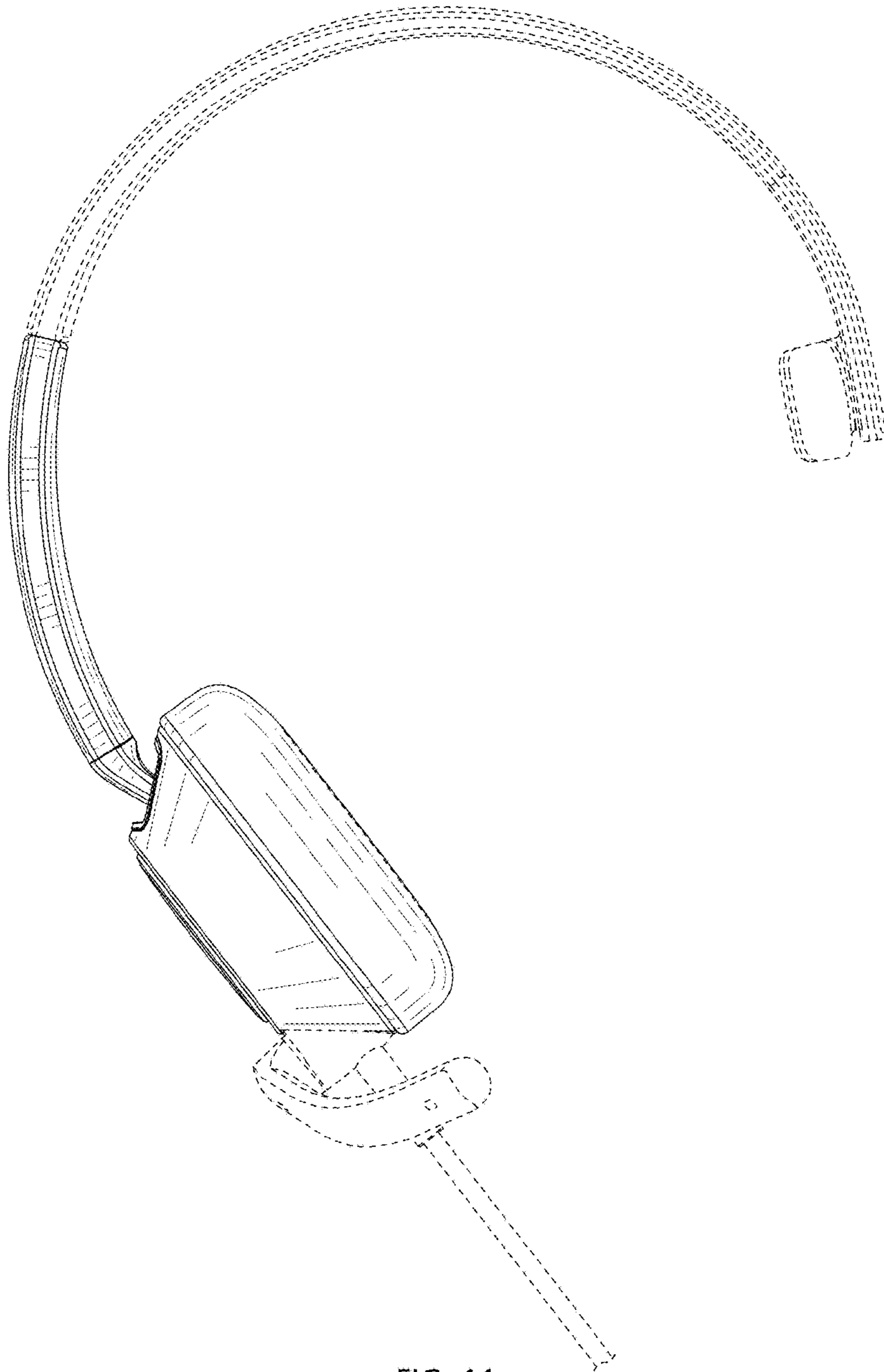


FIG. 11

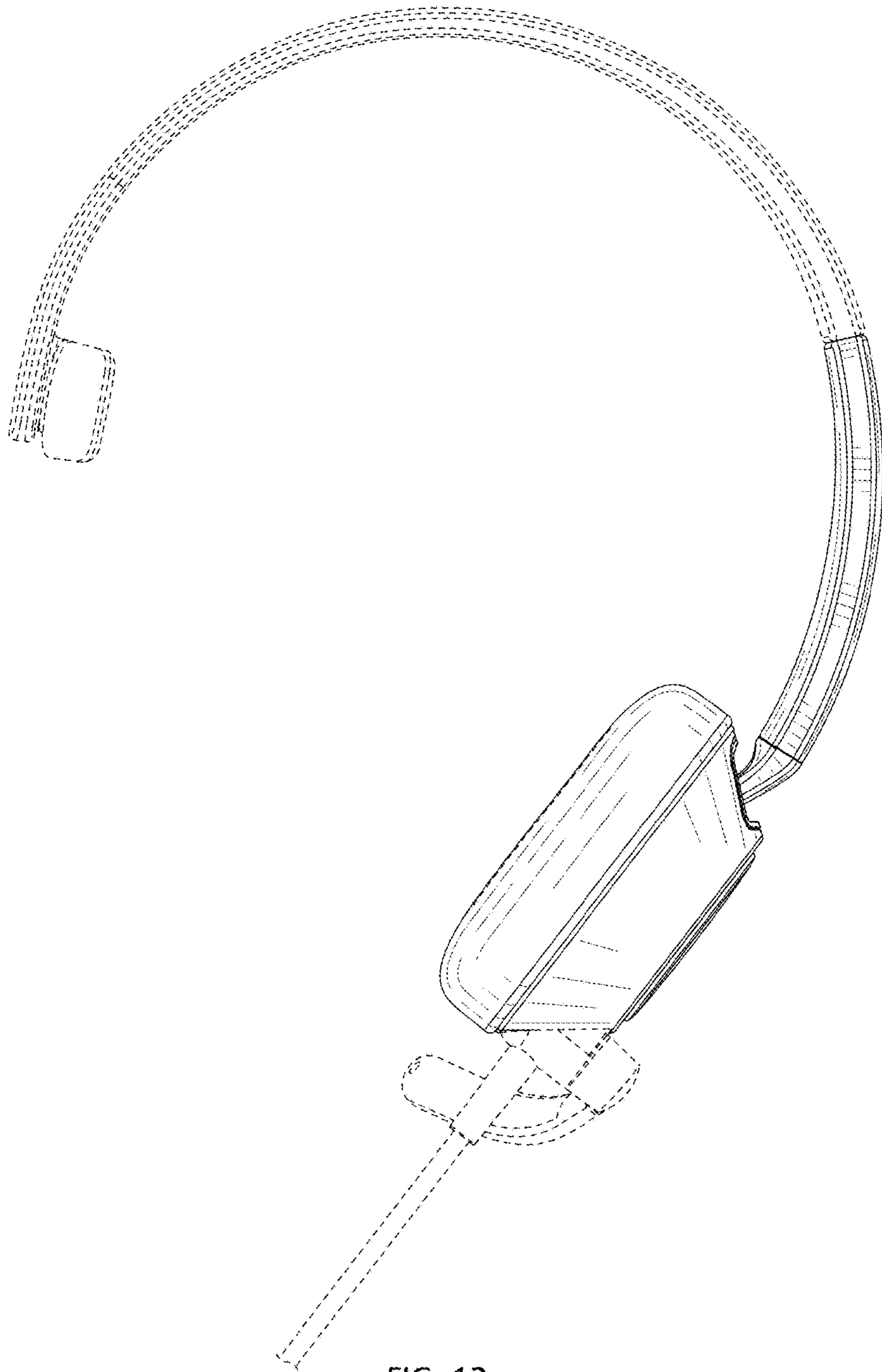


FIG. 12

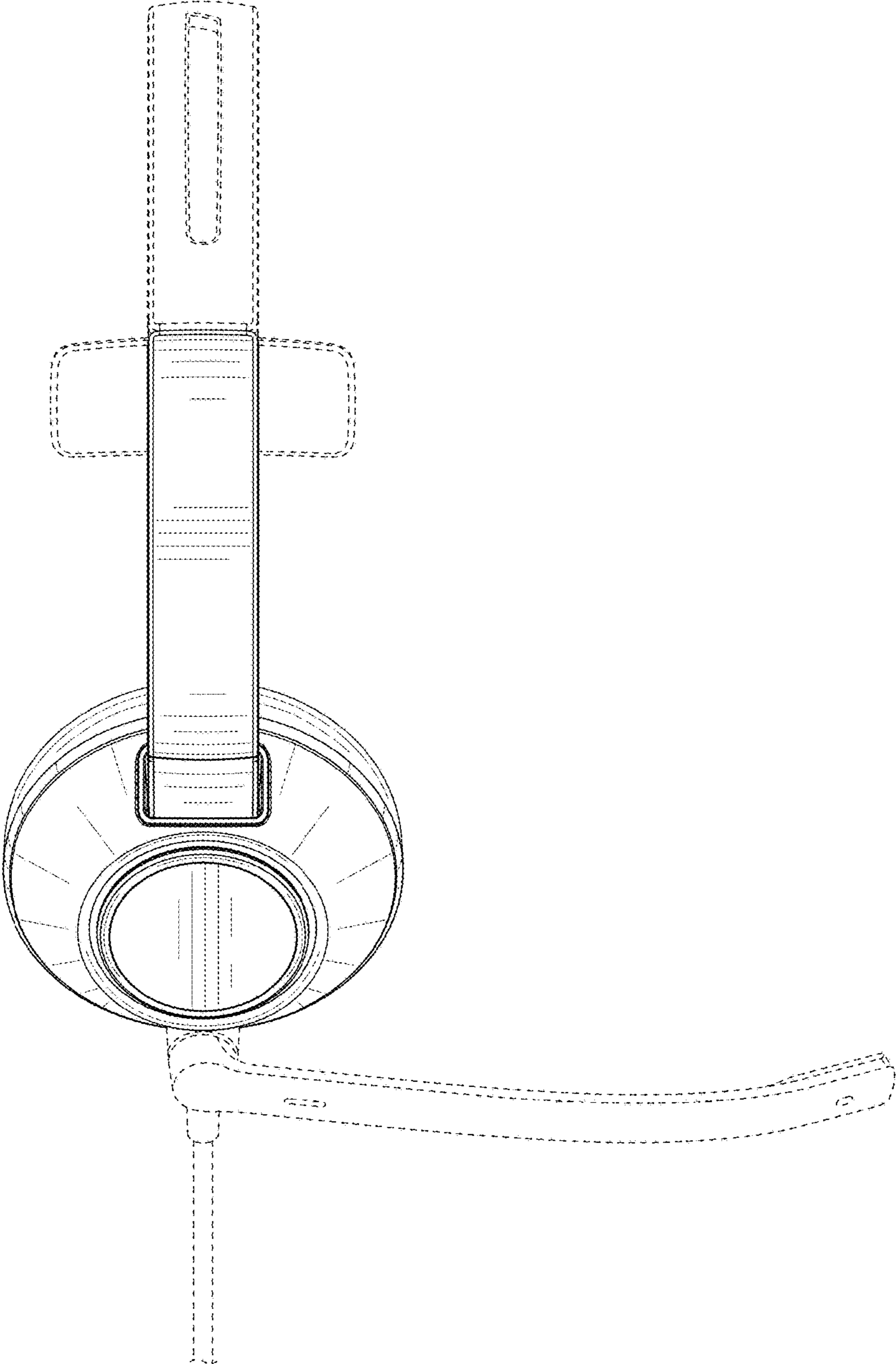


FIG. 13

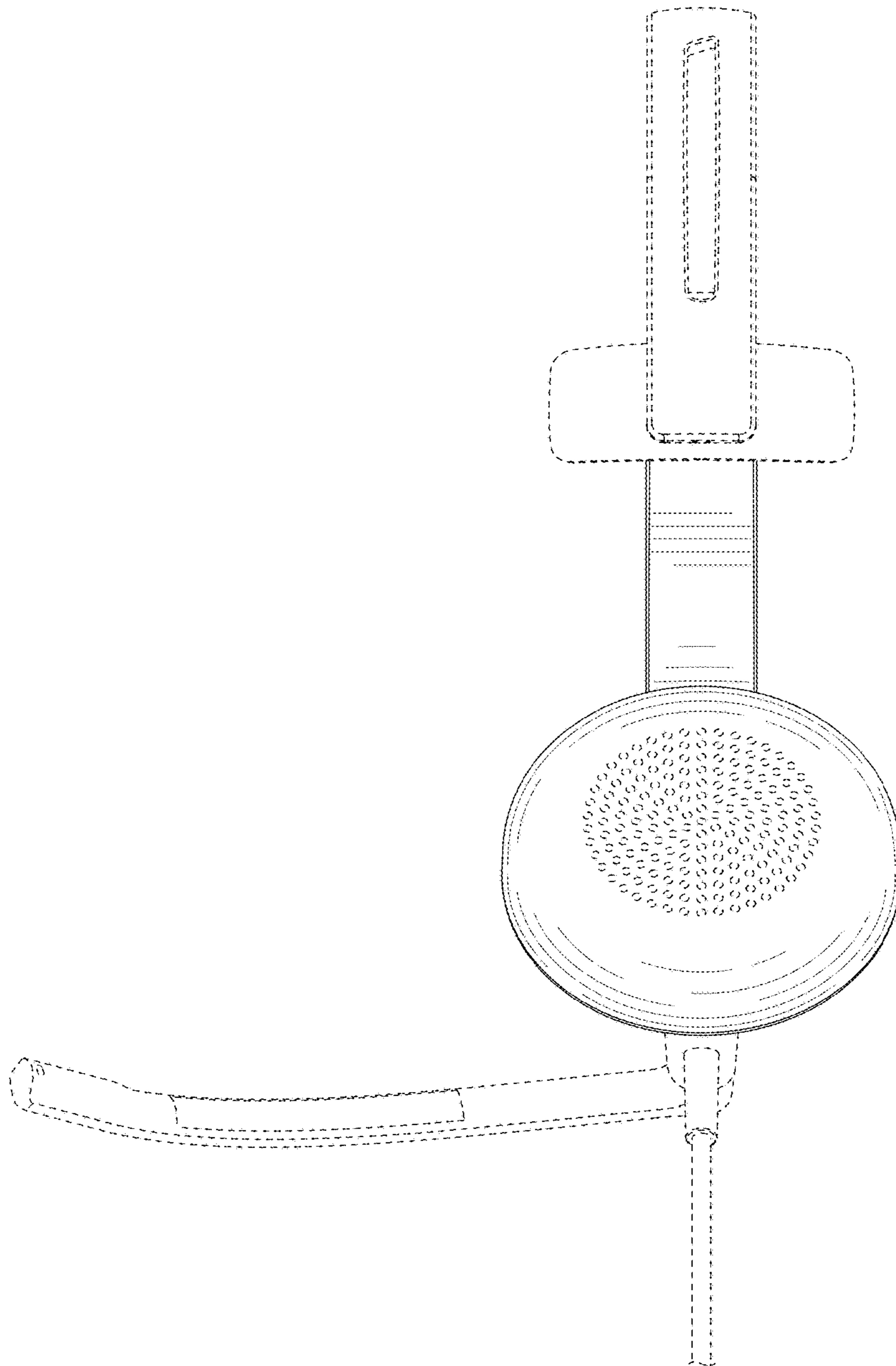


FIG. 14

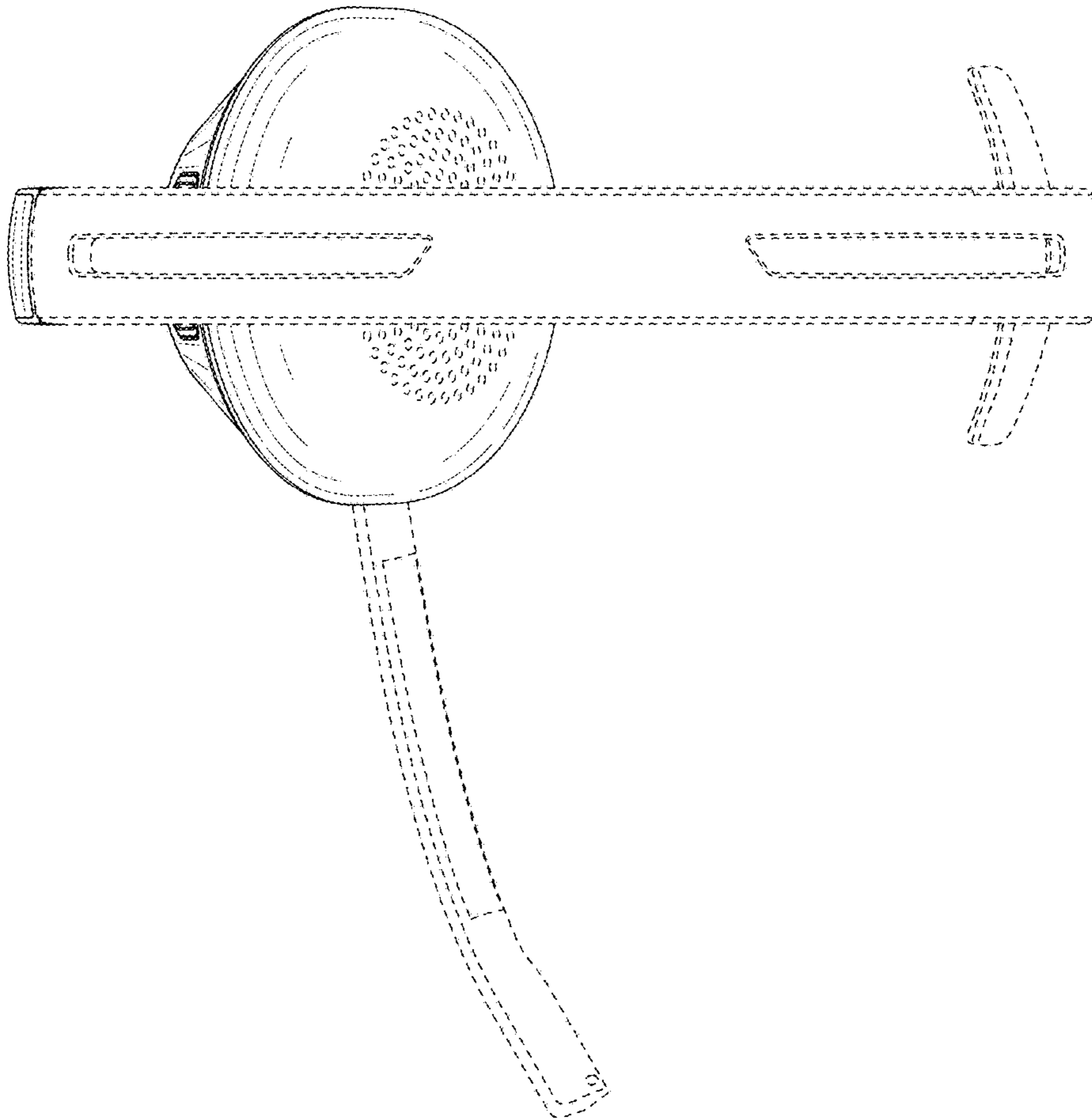


FIG. 15

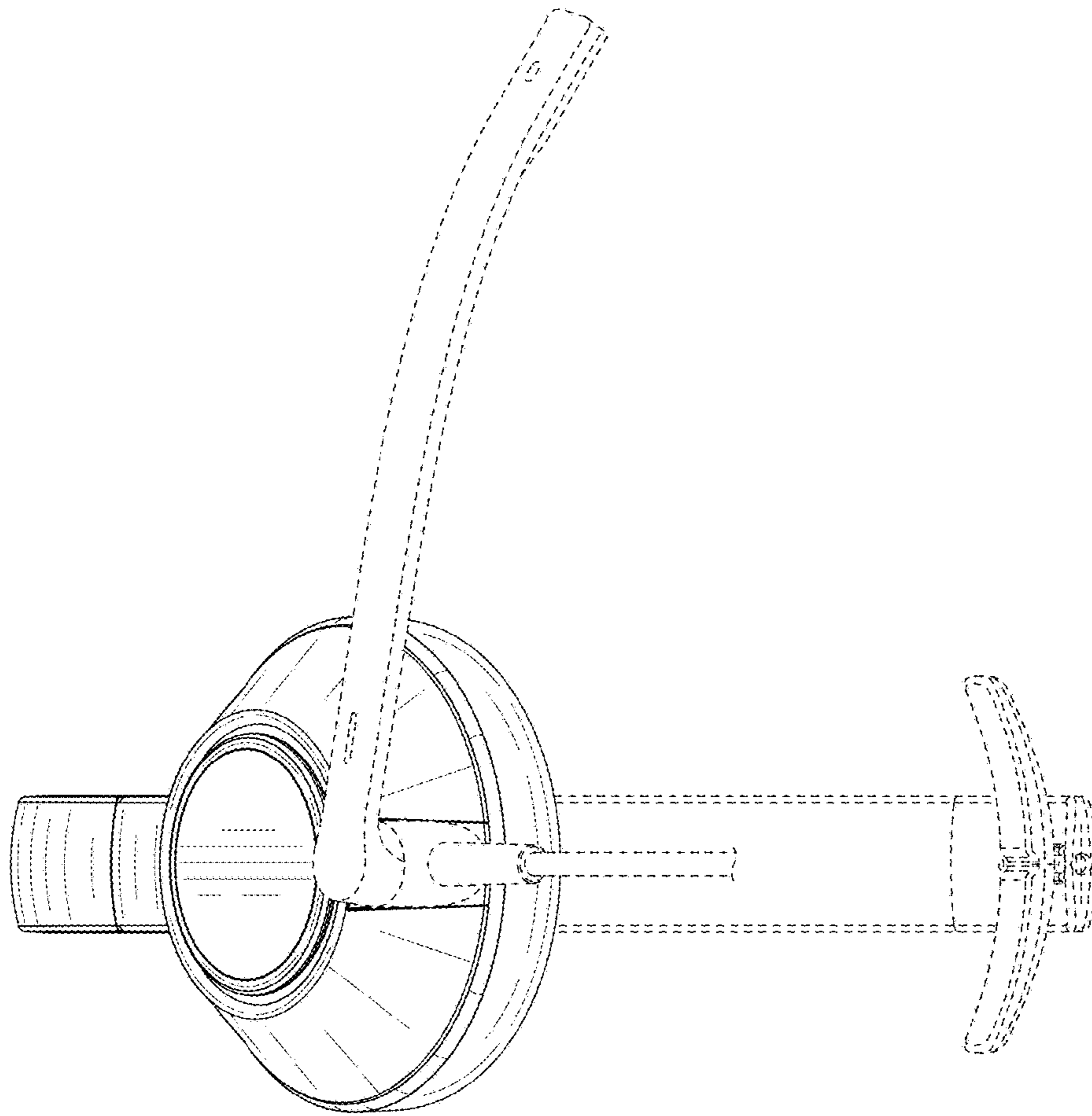


FIG. 16