



US00D848391S

(12) **United States Design Patent**
Li

(10) **Patent No.:** **US D848,391 S**

(45) **Date of Patent:** **** May 14, 2019**

(54) **TELEPHONE**

(71) Applicant: **Peng Li**, Nanjing (CN)

(72) Inventor: **Peng Li**, Nanjing (CN)

(**) Term: **15 Years**

(21) Appl. No.: **29/611,876**

(22) Filed: **Jul. 26, 2017**

(51) **LOC (11) Cl.** **14-03**

(52) **U.S. Cl.**
USPC **D14/151**

(58) **Field of Classification Search**

USPC ... D14/140, 140.1, 140.7, 140.8, 141.2, 142,
D14/144, 147, 148, 149, 150, 151, 158,
D14/159, 188, 217, 240, 243, 247, 248,
D14/251, 299, 329, 462, 467, 471, 130;
D21/517

CPC H04M 1/00; H04M 1/003; H04M 1/006;
H04M 1/02; H04M 1/0297; H04M 1/03;
H04M 1/0214; H04M 1/6041; H04M
1/6066; H04M 1/23; H04M 1/253; H04M
1/2535; H04M 7/006

See application file for complete search history.

(56) **References Cited**

U.S. PATENT DOCUMENTS

| | | | |
|---------------|---------|-----------|------------------------|
| D310,524 S * | 9/1990 | Utsuki | 379/436 |
| 5,170,427 A * | 12/1992 | Guichard | H04M 1/02 348/14.05 |
| D332,263 S * | 1/1993 | Taniguchi | D14/151 |
| D339,341 S * | 9/1993 | Allen | D14/146 |
| D354,956 S * | 1/1995 | Toh | D14/151 |
| D356,087 S * | 3/1995 | Jarrett | D14/151 |
| D359,490 S * | 6/1995 | Arakaki | D14/146 |
| D381,981 S * | 8/1997 | Johansson | D14/151 |
| D386,759 S * | 11/1997 | Elkins | D14/151 |
| D404,732 S * | 1/1999 | Mason | D14/151 |
| D405,447 S * | 2/1999 | Landry | D14/151 |
| D410,005 S * | 5/1999 | Landry | D14/151 |

| | | | |
|----------------|---------|-------------|-------------------------|
| D427,985 S * | 7/2000 | Takayama | D14/130 |
| D472,227 S * | 3/2003 | Takayama | D14/151 |
| D482,342 S * | 11/2003 | Weidinger | D14/151 |
| D489,700 S * | 5/2004 | Hillenmayer | D14/151 |
| D490,795 S * | 6/2004 | Watanabe | D14/151 |
| D499,078 S * | 11/2004 | Abe | D14/151 |
| D499,079 S * | 11/2004 | Abe | D14/151 |
| D499,712 S * | 12/2004 | Abe | D14/151 |
| D500,482 S * | 1/2005 | Shibata | D14/140.11 |
| D513,412 S * | 1/2006 | Kodera | D14/151 |
| 7,068,641 B1 * | 6/2006 | Allan | H04M 3/42136 370/352 |

(Continued)

OTHER PUBLICATIONS

Yealink T41-T42G Full Tutorial. youtube.com. (online) 1 pg. Posted May 5, 2015. [Retrieved on Aug. 1, 2018] <https://www.youtube.com/watch?v=fSM4SiMTN7c>.*

(Continued)

Primary Examiner — Marie D. Fast Horse

(74) *Attorney, Agent, or Firm* — Maynard Cooper & Gale, P.C.; Brian T. Sattizahn

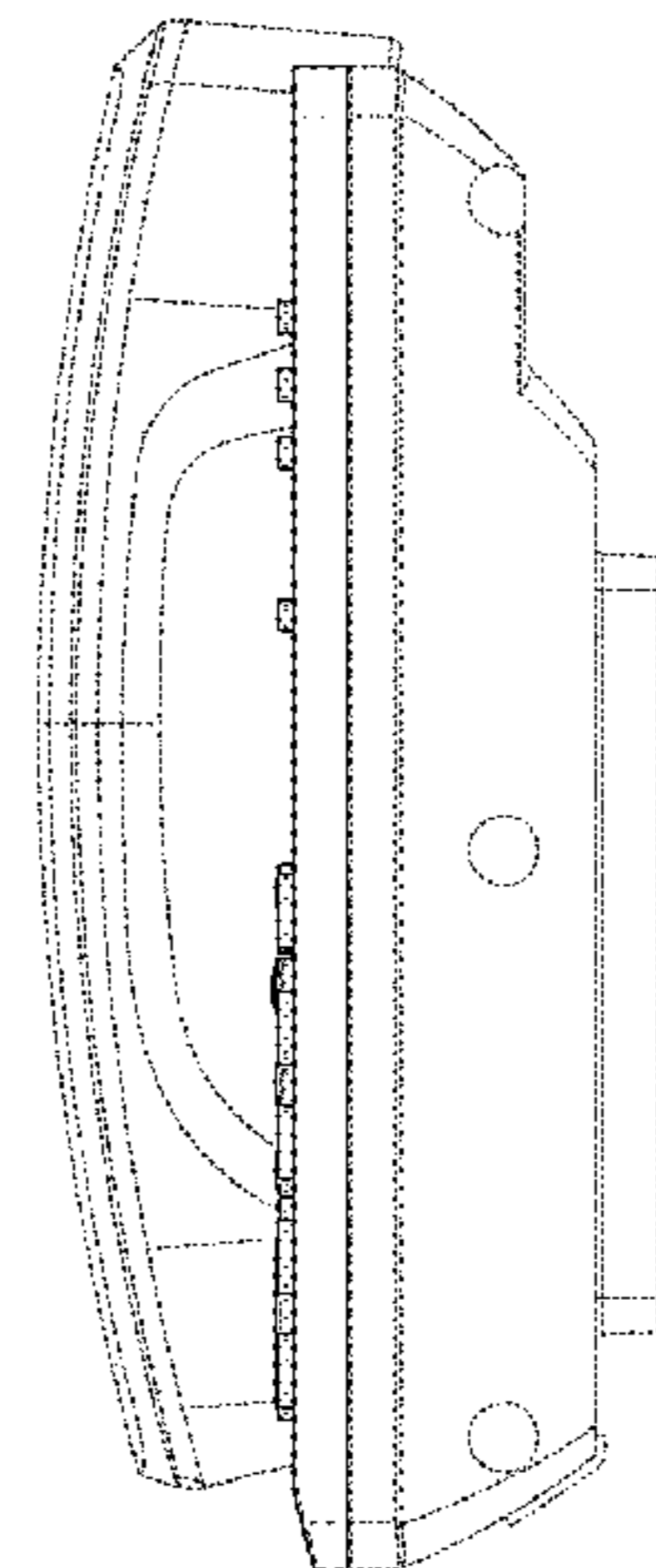
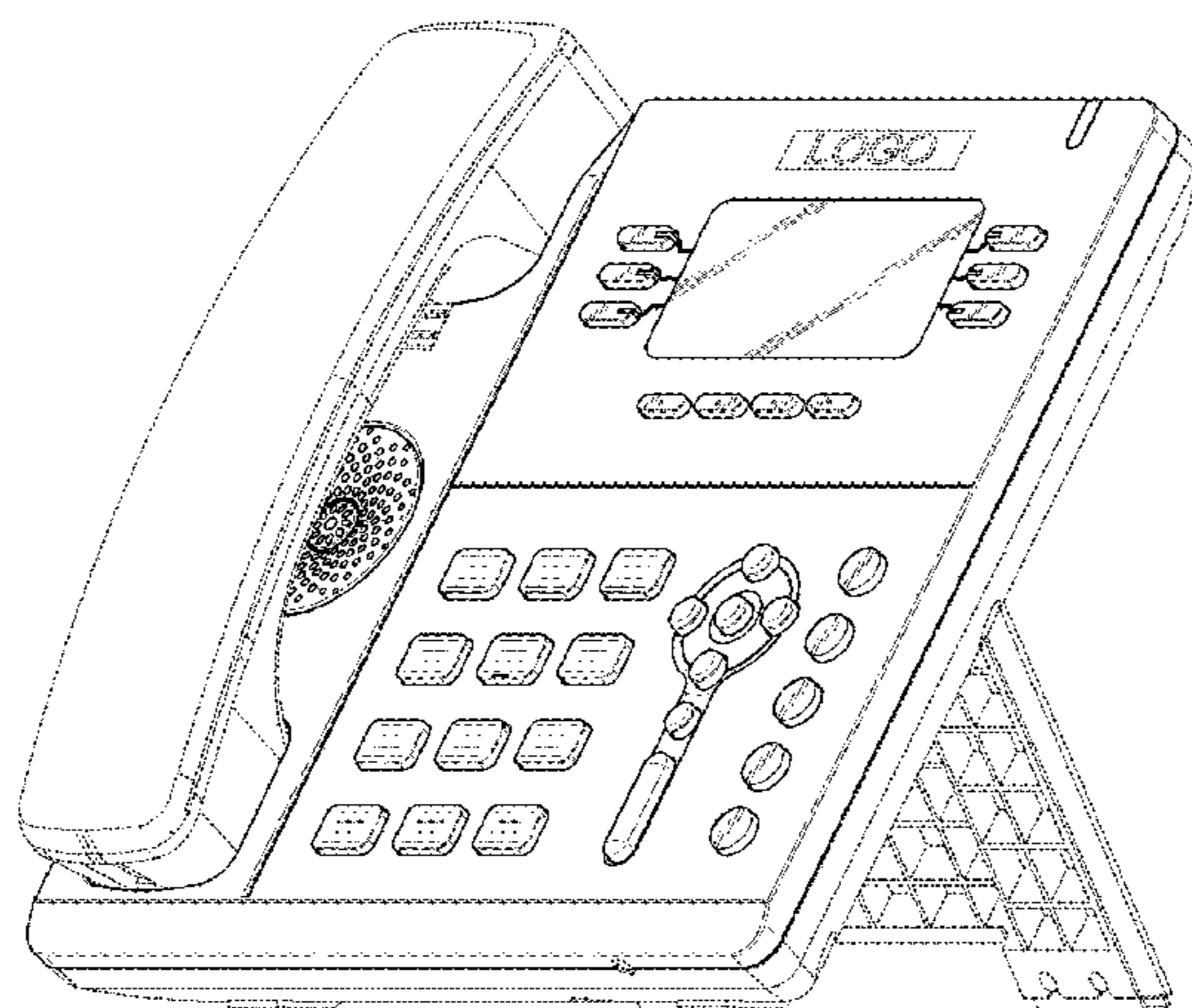
(57) **CLAIM**

The ornamental design for a telephone, as shown and described.

DESCRIPTION

FIG. 1 is a perspective view of a telephone showing my new design;
FIG. 2 is another perspective view thereof;
FIG. 3 is front view of the telephone shown in FIG. 1;
FIG. 4 is left view of the telephone shown in FIG. 1;
FIG. 5 is right view of the telephone shown in FIG. 1;
FIG. 6 is top view of the telephone shown in FIG. 1; and,
FIG. 7 is bottom view of the telephone shown in FIG. 1.
The broken lines in the drawings depict portions of the telephone that form no part of the claimed design.

1 Claim, 5 Drawing Sheets



(56)

References Cited

U.S. PATENT DOCUMENTS

D524,283 S * 7/2006 Beasley D14/151
 D529,477 S * 10/2006 Hsu D14/151
 D530,303 S * 10/2006 Tang D14/151
 D536,328 S * 2/2007 Chou D14/151
 D537,065 S * 2/2007 Chen D14/151
 7,216,401 B2 * 5/2007 Bae H04M 1/0295
 16/262
 D551,203 S * 9/2007 Abe D14/151
 D553,605 S * 10/2007 Chou D14/151
 D555,143 S * 11/2007 Chou D14/151
 D556,181 S * 11/2007 Liu D14/151
 D558,180 S * 12/2007 Daly D14/151
 D558,729 S * 1/2008 Daly D14/151
 D562,303 S * 2/2008 Beasley D14/151
 D577,706 S * 9/2008 Andrews D14/151
 D582,886 S * 12/2008 Woo D14/151
 D588,573 S * 3/2009 West D14/151
 D594,439 S * 6/2009 Jeon D14/151
 D608,759 S * 1/2010 Chun D14/151
 D609,212 S * 2/2010 Turnbull D14/151
 D664,520 S * 7/2012 Shadovitz D14/150

D676,411 S * 2/2013 Taniguchi D14/151
 D694,733 S * 12/2013 Rodriguez D14/142
 D723,502 S * 3/2015 Chun D14/130
 D767,527 S * 9/2016 Hillenmayer D14/140.8
 D771,005 S * 11/2016 Tani D14/142
 D781,809 S * 3/2017 Schwarz D14/151
 D782,994 S * 4/2017 Schwarz D14/151
 D783,569 S * 4/2017 Kwak D14/151
 D788,737 S * 6/2017 Takei D14/151
 D797,698 S * 9/2017 Kwak D14/151
 D829,683 S * 10/2018 Su D14/151
 2008/0082594 A1 * 4/2008 Soltes G06F 17/30067
 2010/0322410 A1 * 12/2010 Lin H04M 1/0295
 379/428.03

OTHER PUBLICATIONS

Telephone Set. (Design—© Questel) orbit.com.[online PDF] 7 pgs.
 Print Date Feb. 27, 2013 [Retrieved on Nov. 27, 2018] <https://sobjprd.questel.fr/export/QPTUJ214/pdf2/df97d61a-64cc-4cfl-9763-e9b393360e44-155926.pdf>.*

* cited by examiner

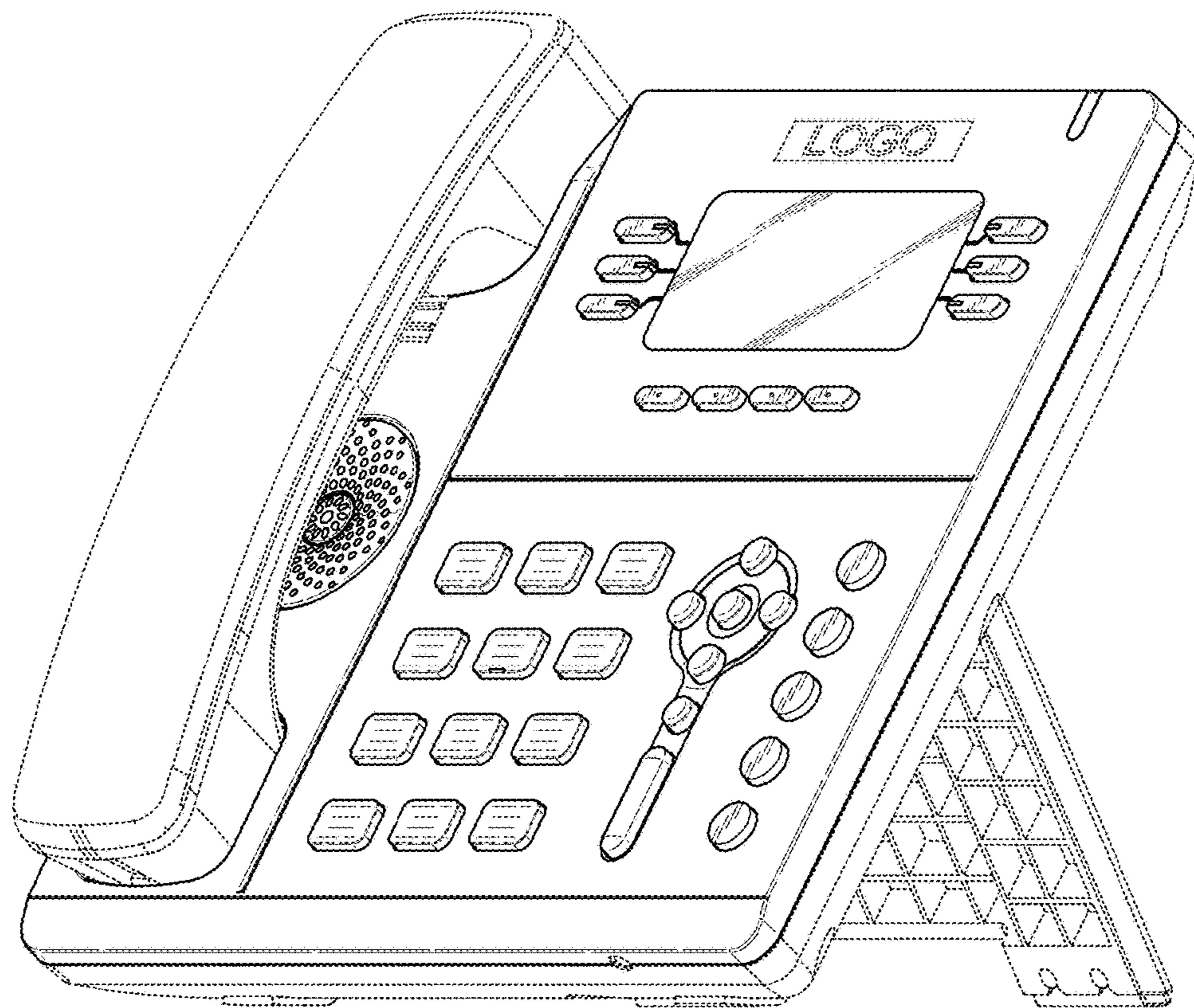


FIG. 1

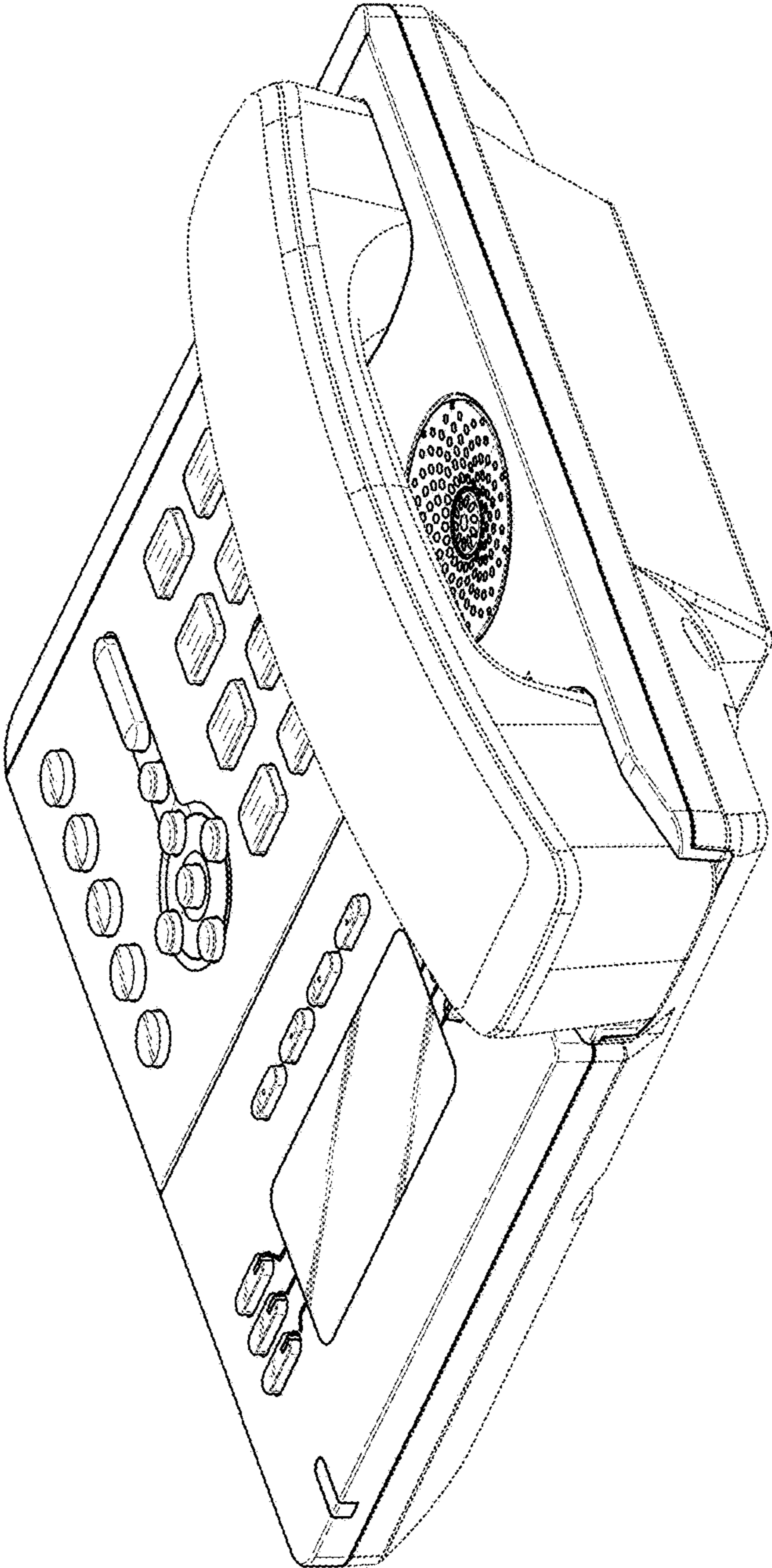


FIG. 2

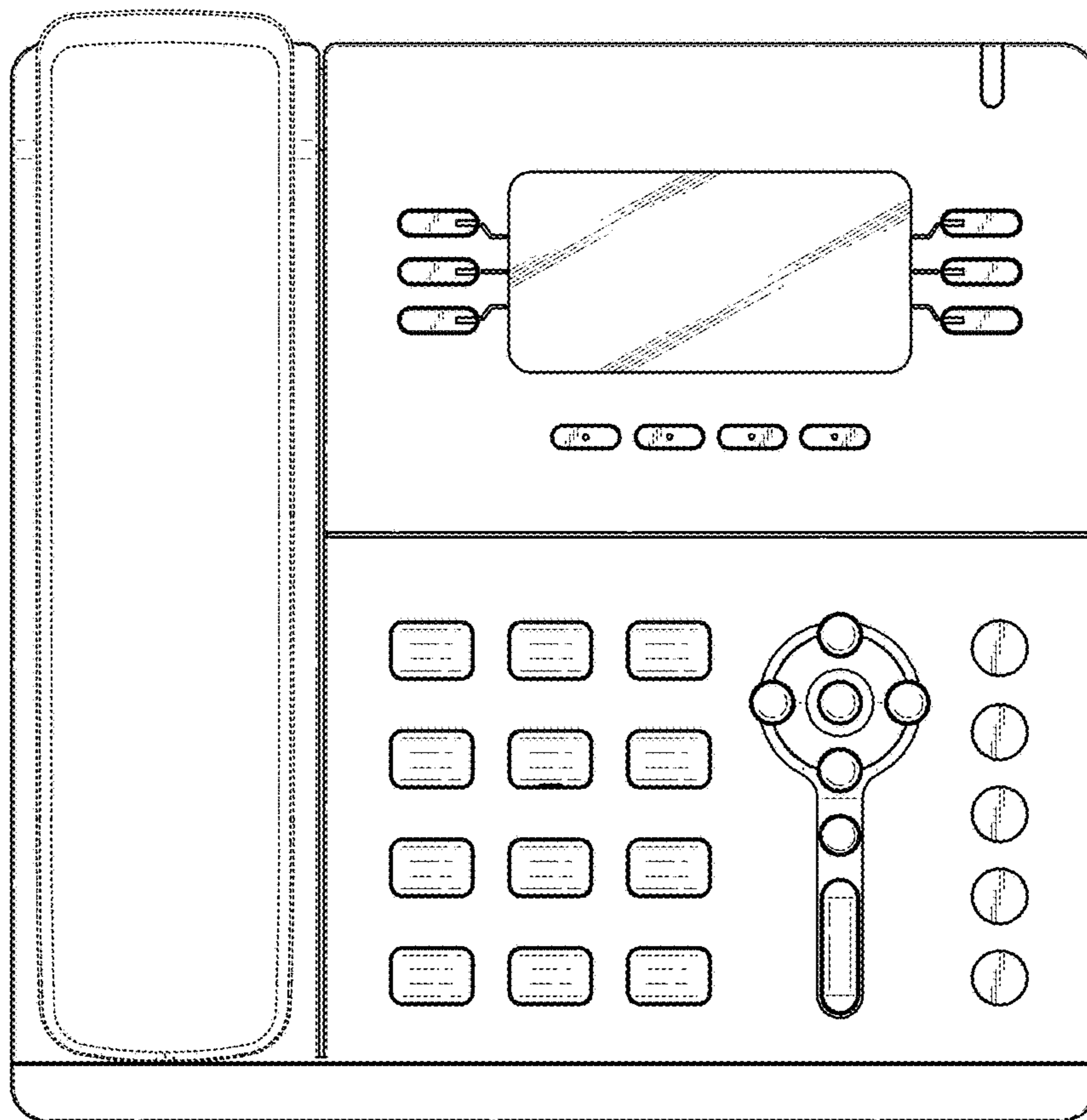


FIG. 3

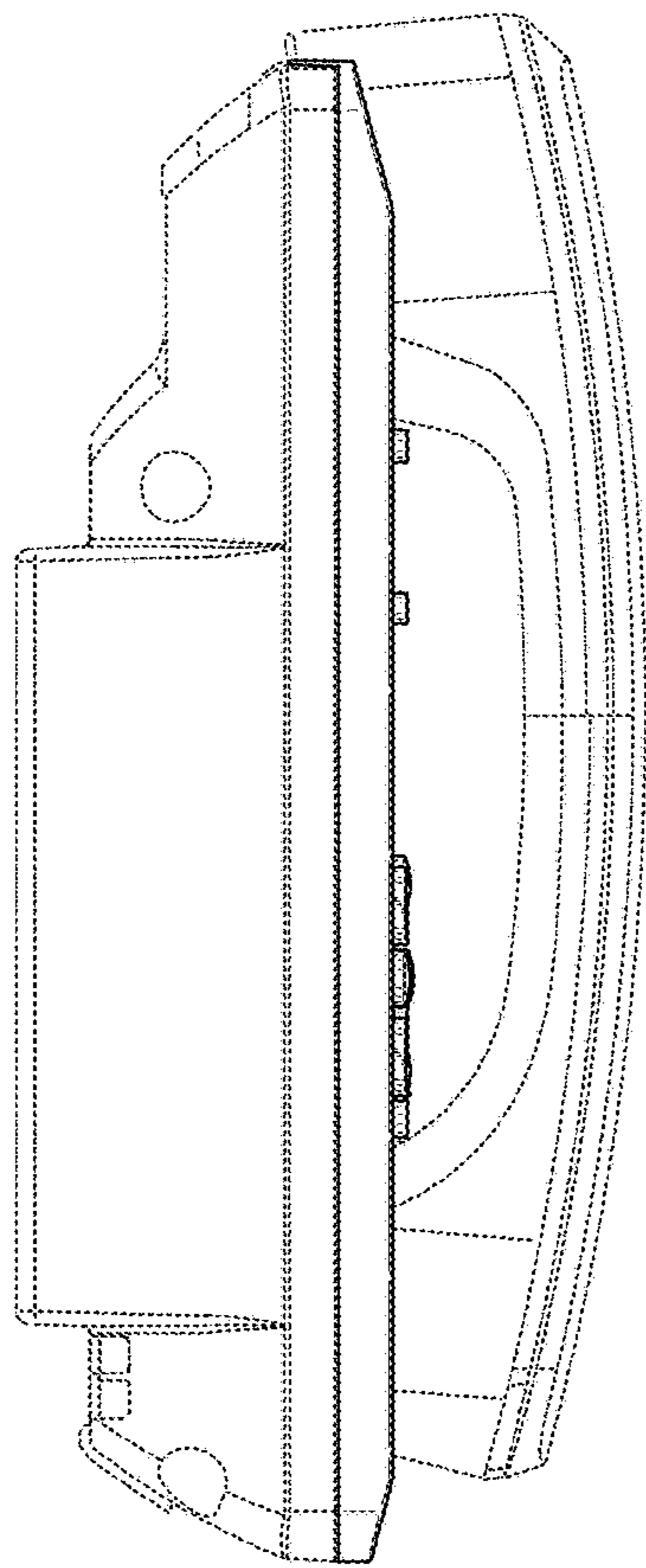


FIG. 4

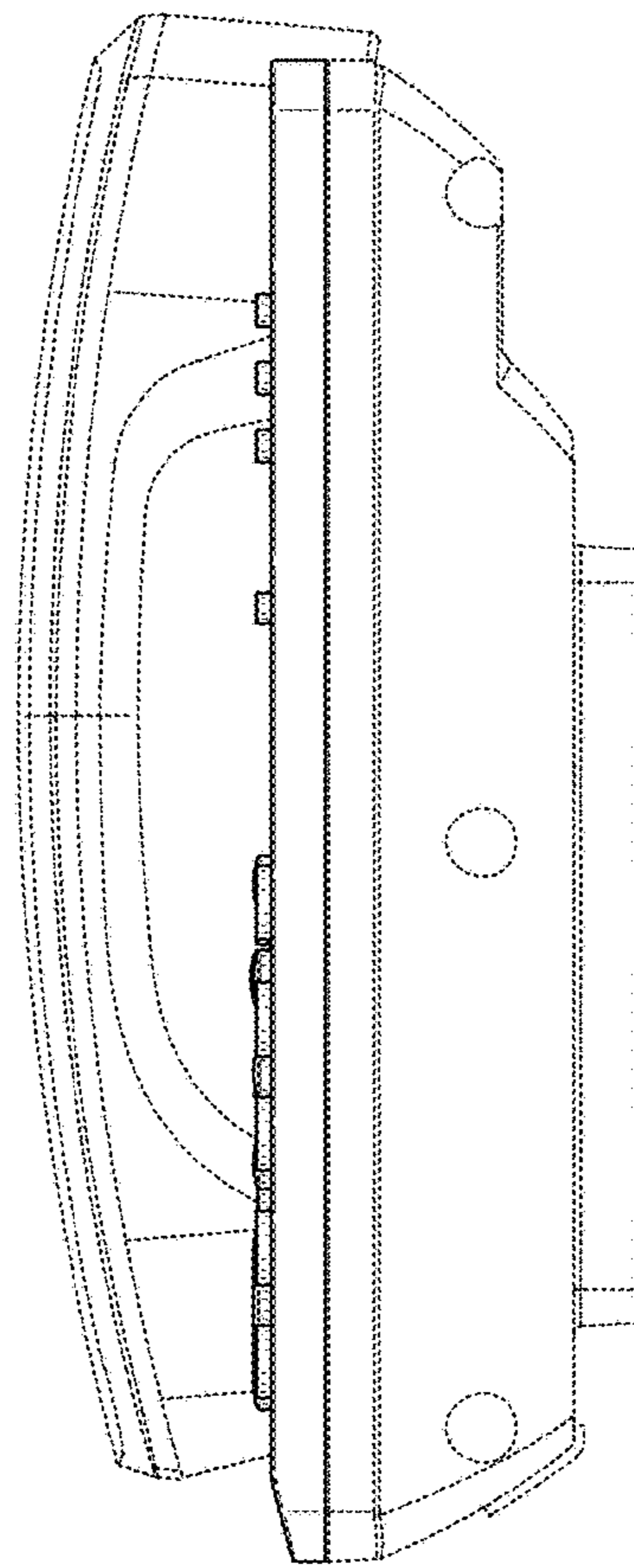


FIG. 5

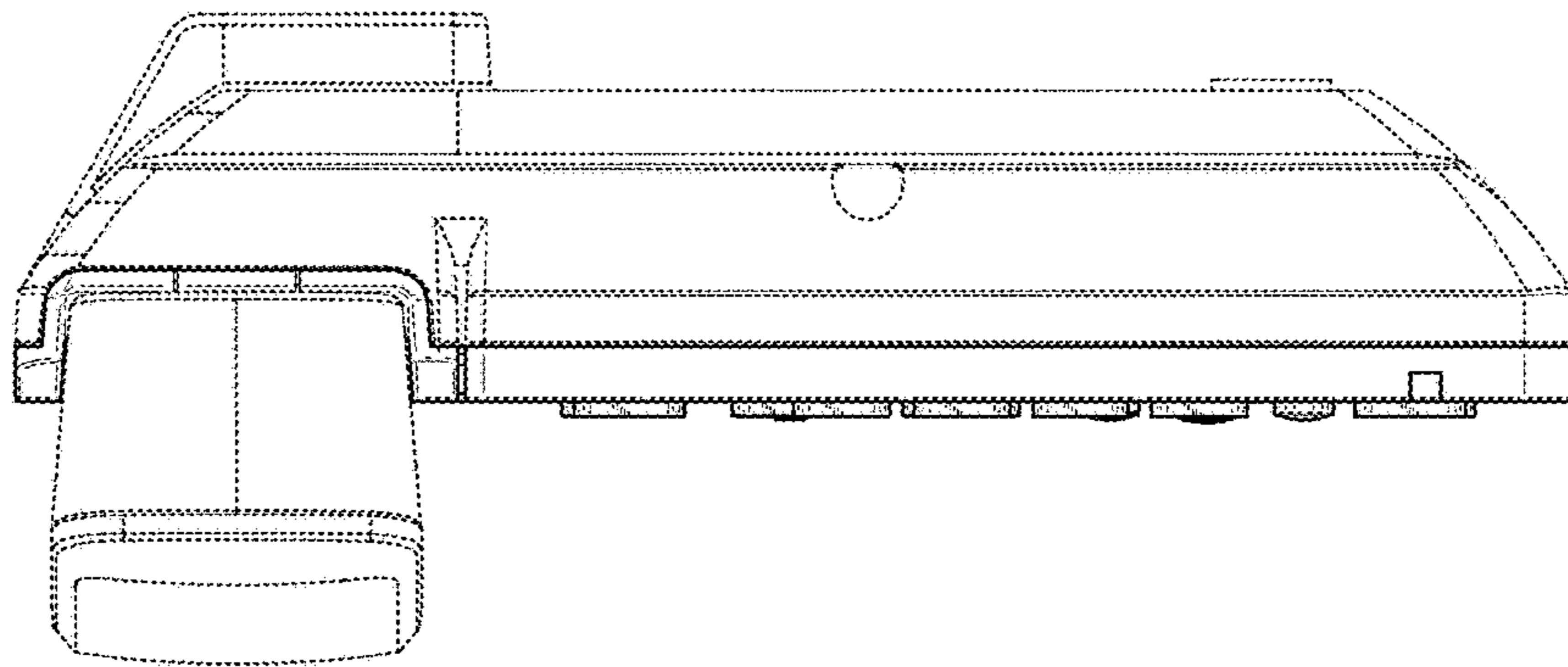


FIG. 6

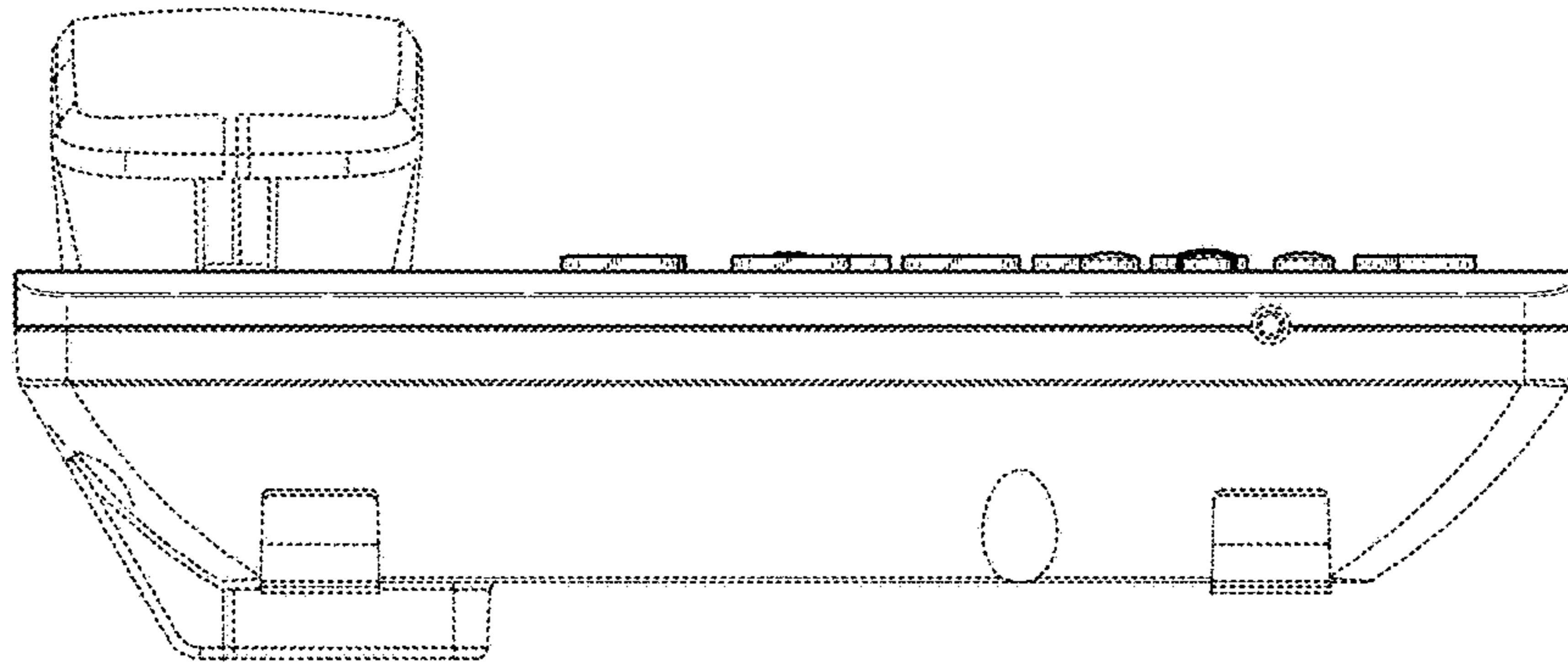


FIG. 7