



US00D848386S

(12) **United States Design Patent** (10) **Patent No.:** **US D848,386 S**  
**Kuwao et al.** (45) **Date of Patent:** **\*\* May 14, 2019**

(54) **TELEVISION RECEIVER**

(71) Applicant: **SONY CORPORATION**, Tokyo (JP)

(72) Inventors: **Shigeya Kuwao**, Kanagawa (JP);  
**Hiroataka Tako**, Kanagawa (JP);  
**Hiroaki Yokota**, Tokyo (JP)

(73) Assignee: **SONY CORPORATION**, Tokyo (JP)

(\*\*) Term: **15 Years**

(21) Appl. No.: **29/597,412**

(22) Filed: **Mar. 16, 2017**

(30) **Foreign Application Priority Data**

Dec. 28, 2016 (JP) ..... D2016-028562  
 Dec. 28, 2016 (JP) ..... D2016-028563  
 Dec. 28, 2016 (JP) ..... D2016-028564  
 Dec. 28, 2016 (JP) ..... D2016-028565  
 Dec. 29, 2016 (CN) ..... 2016 3 0655864

(51) **LOC (11) Cl.** ..... **14-03**

(52) **U.S. Cl.**  
USPC ..... **D14/126**

(58) **Field of Classification Search**  
 USPC ..... D14/125-134, 239, 371, 136, 374-377,  
 D14/440, 450, 448, 336, 342, 159;  
 312/7.2; 348/836, 838, 180, 184, 325,  
 348/739; 248/917-924, 465; 345/104,  
 345/133, 156, 168, 87, 173; D21/329,  
 D21/515, 577, 622, 333, 433, 448, 452,  
 D21/450, 331, 505; D10/15, 26;  
 446/484, 175, 356; D6/477, 479, 300;  
 D24/185; D34/14  
 CPC ... G06F 1/1601; G06F 1/1643; H05K 5/0004;  
 H05K 5/0017; H05K 5/02; H05K 5/0217  
 See application file for complete search history.

(56) **References Cited**

U.S. PATENT DOCUMENTS

D562,785 S	2/2008	Fujii	
D562,830 S	2/2008	Katagiri et al.	
D569,815 S	5/2008	Otani	
D572,023 S *	7/2008	Park .....	D14/371
D588,124 S	3/2009	Shimizu	
D609,661 S *	2/2010	VanDuyn .....	D14/126
D624,513 S *	9/2010	Mitsubishi .....	D14/126
D633,454 S *	3/2011	Mitsubishi .....	D14/126
D692,425 S *	10/2013	Kubota .....	D14/374
D697,883 S *	1/2014	Choi .....	D14/126

\* cited by examiner

*Primary Examiner* — Randall H Gholson

(74) *Attorney, Agent, or Firm* — Michael Best and Friedrich LLP

(57) **CLAIM**

The ornamental design for a television receiver, as shown.

**DESCRIPTION**

FIG. 1 is a rear, top, left perspective view of a television receiver showing our new design;  
 FIG. 2 is a front, top, right perspective view thereof;  
 FIG. 3 is a front elevational view thereof;  
 FIG. 4 is a rear elevational view thereof;  
 FIG. 5 is a left side elevational view thereof;  
 FIG. 6 is a right side elevational view thereof;  
 FIG. 7 is a top plan view thereof; and  
 FIG. 8 is a bottom plan view thereof; and,  
 FIG. 9 is a partially enlarged rear, top, left perspective view thereof along the lines 9-9 and 9'-9' of FIG. 1.  
 The broken lines illustrating the unclaimed portions of the television receiver form no part of the claimed design.

**1 Claim, 6 Drawing Sheets**

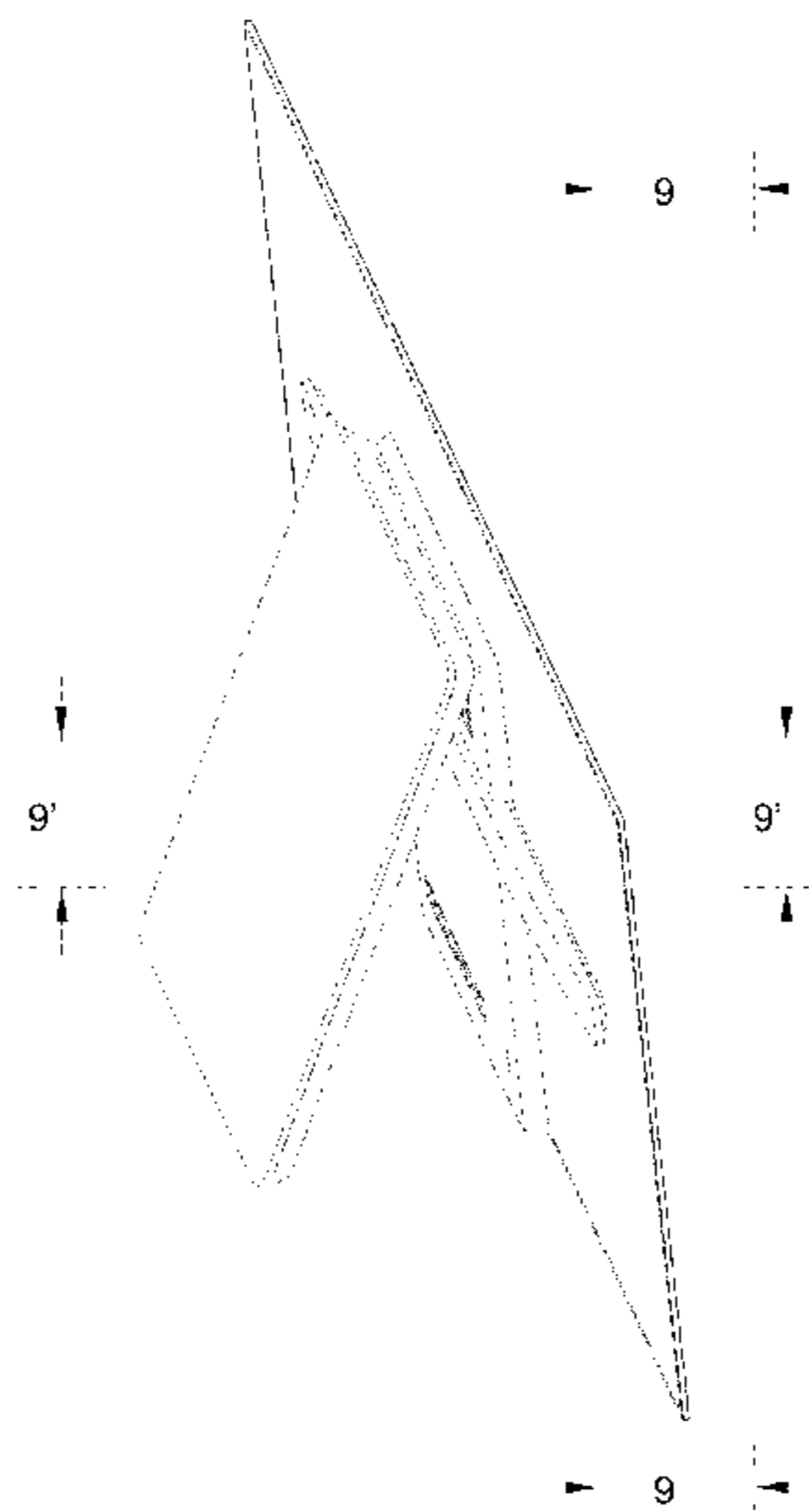


FIG.1

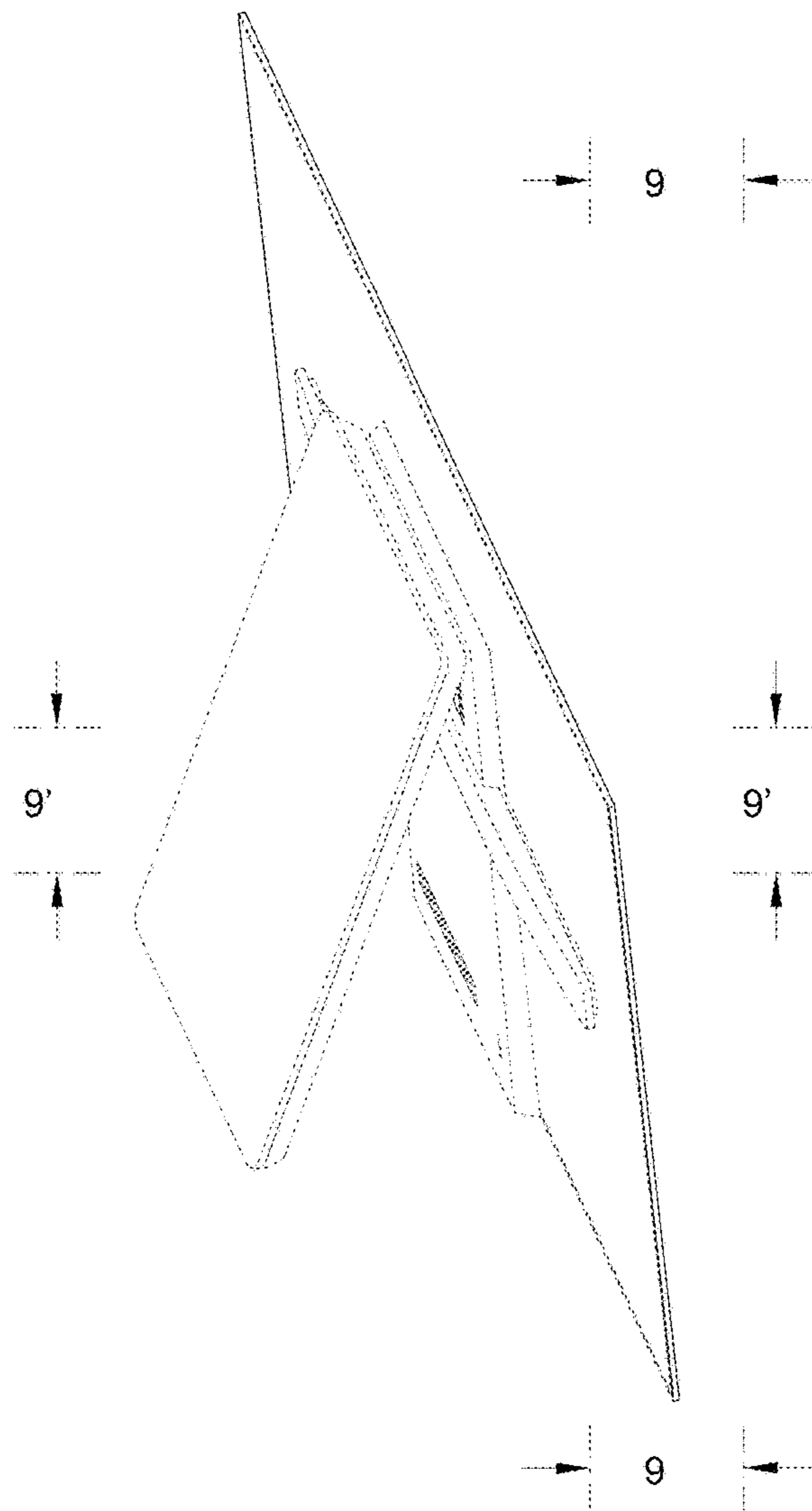


FIG.9

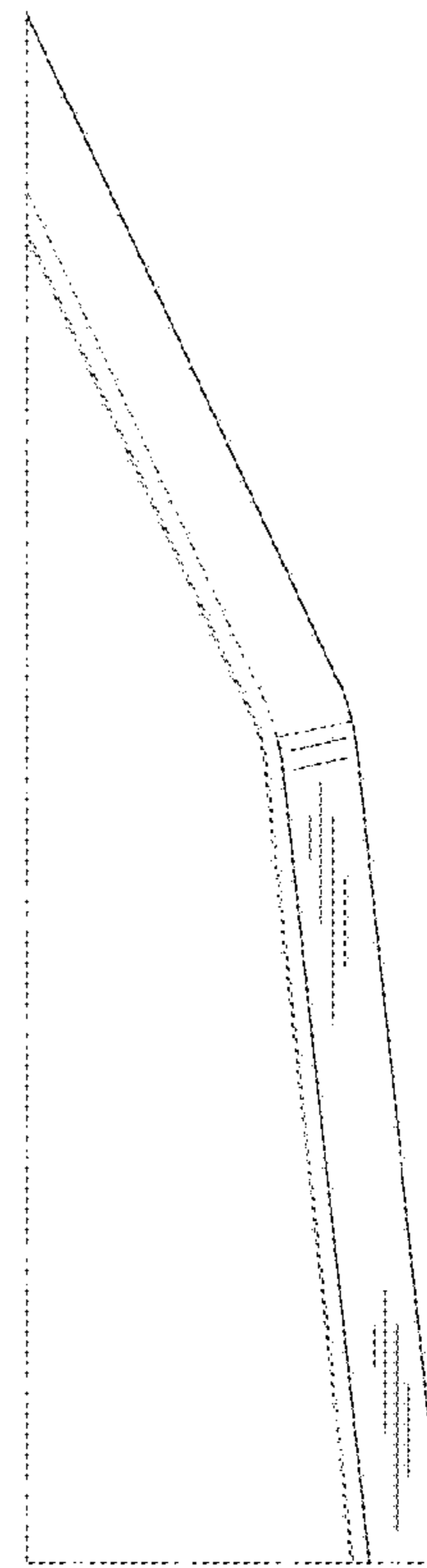


FIG.2

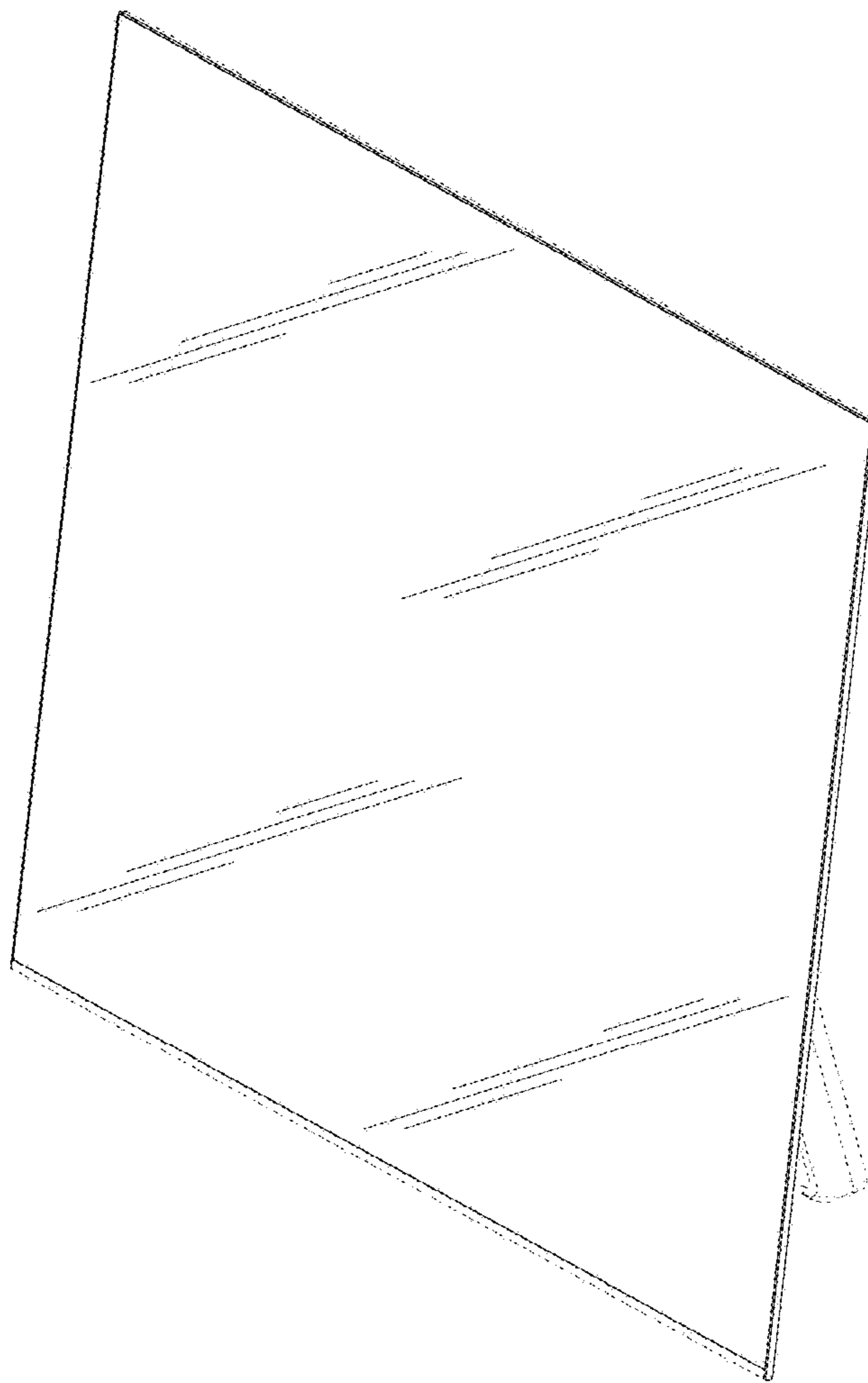


FIG.3

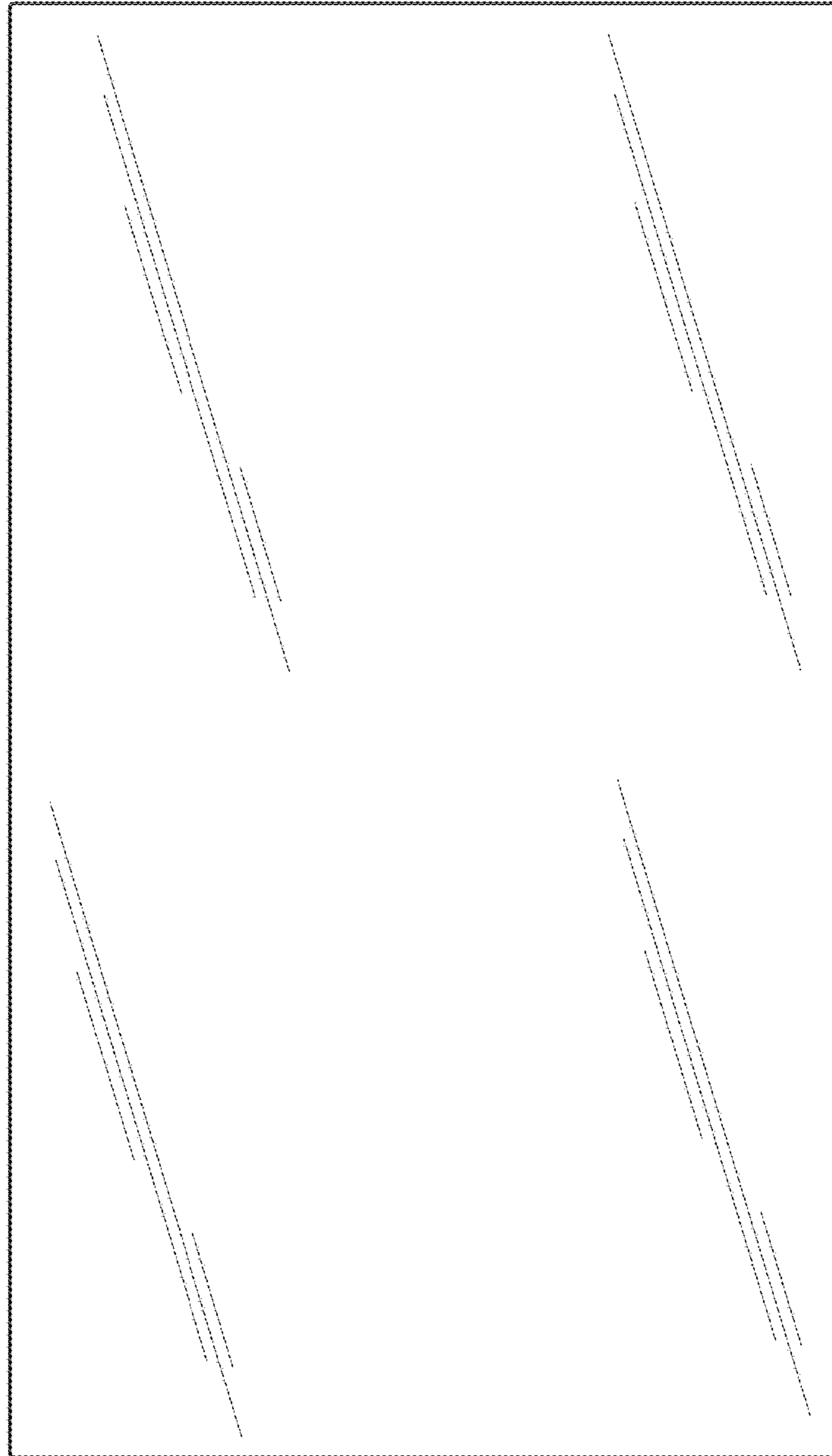
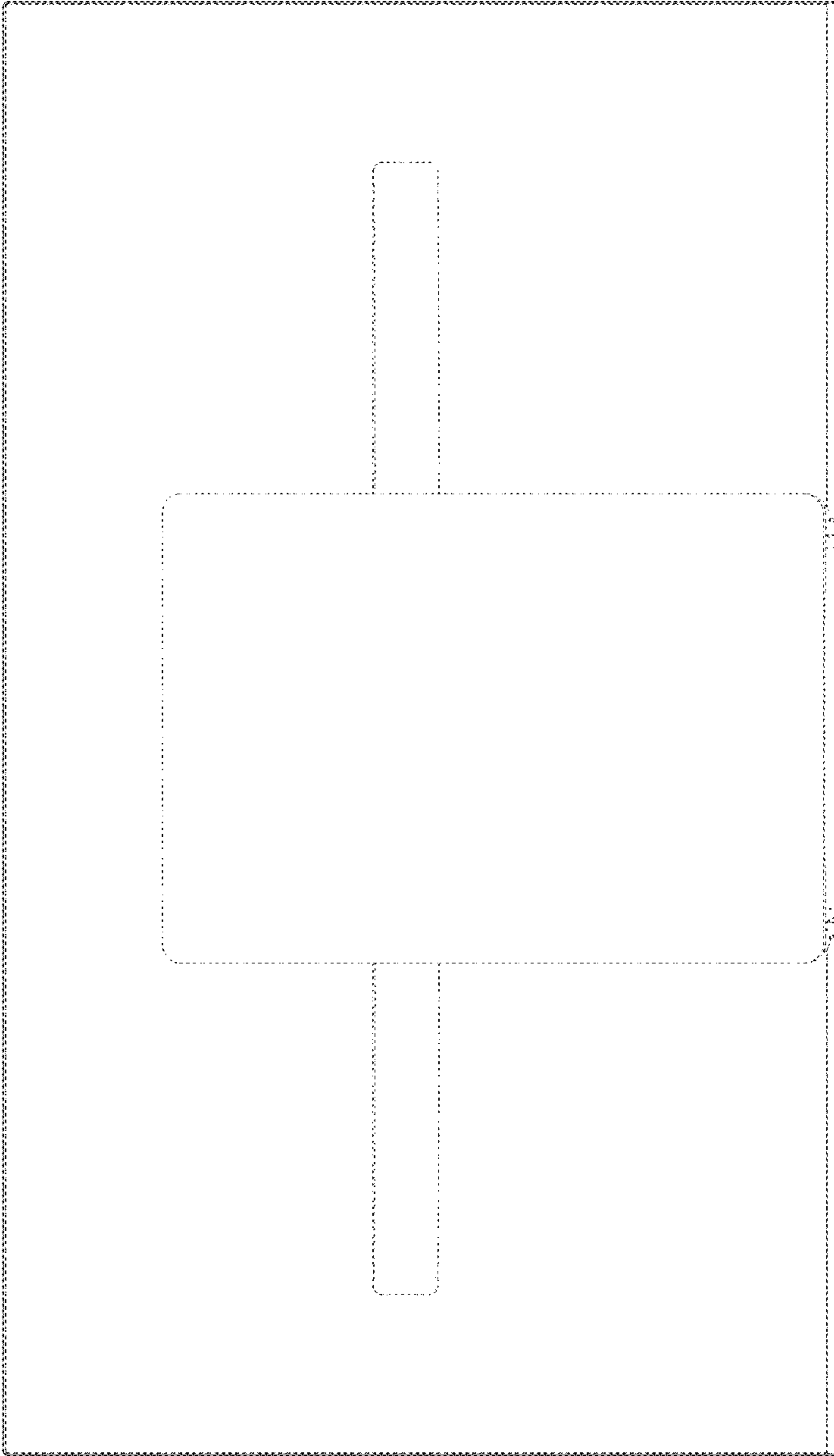


FIG.4



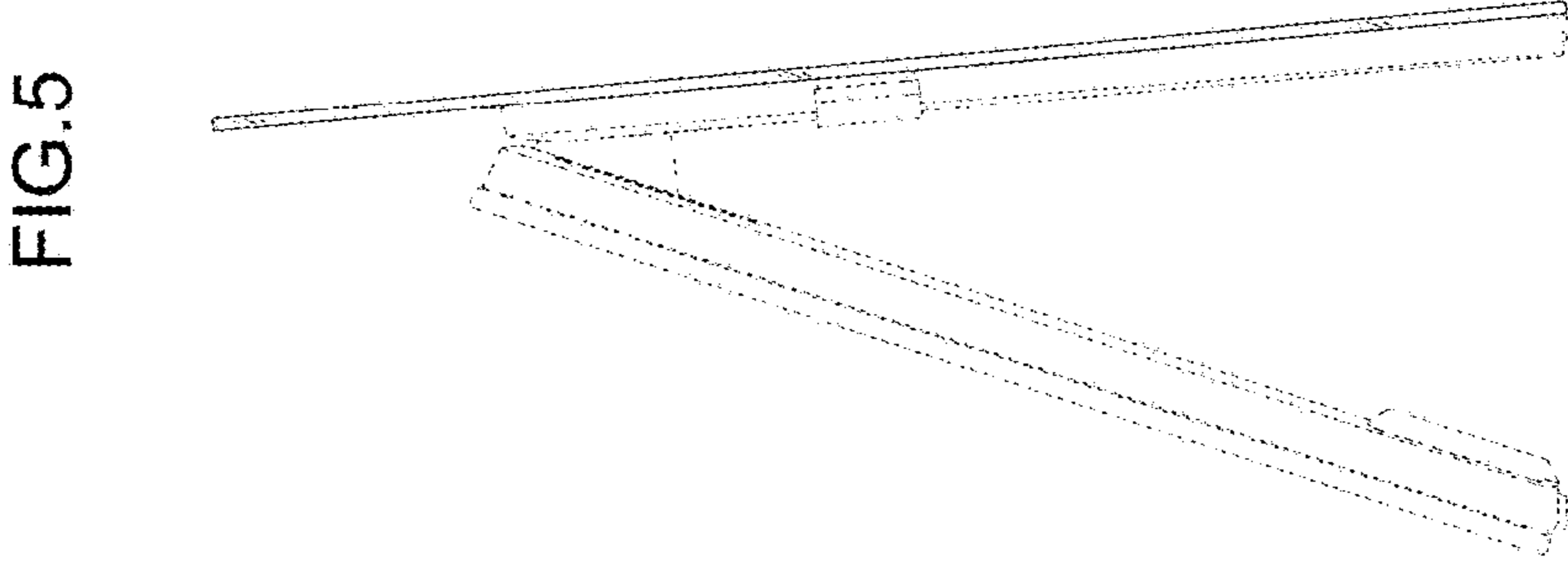
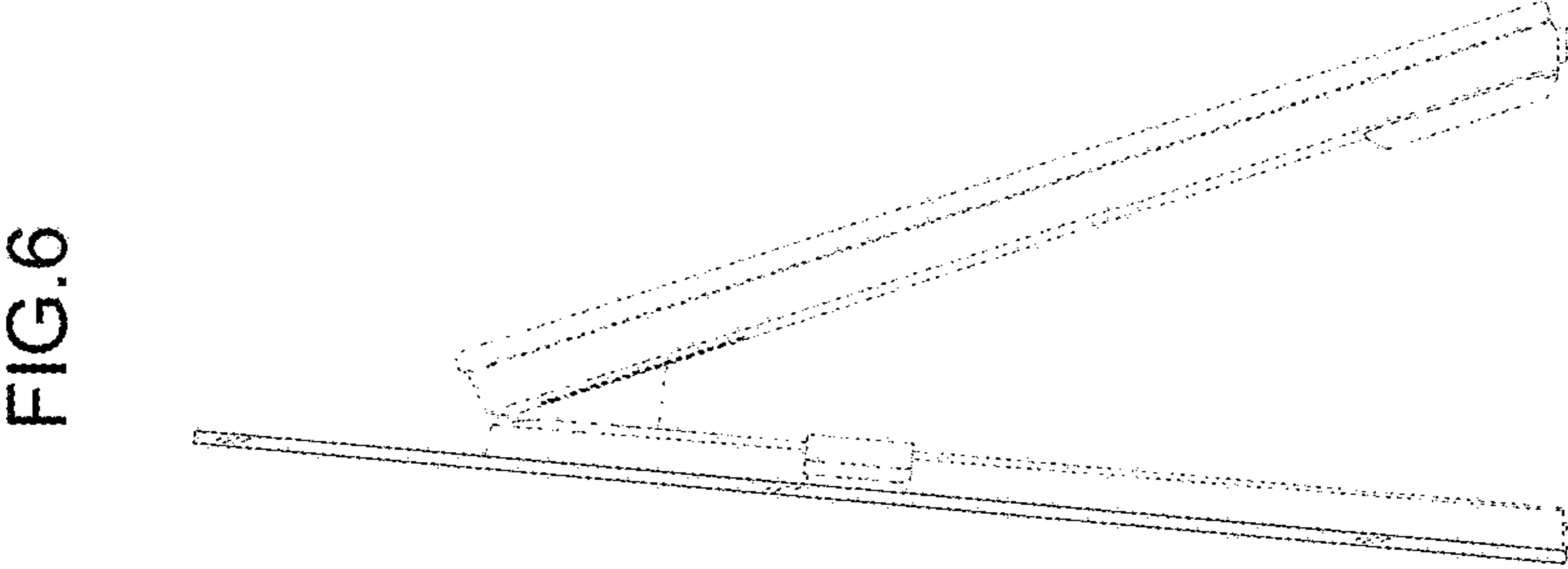


FIG.7

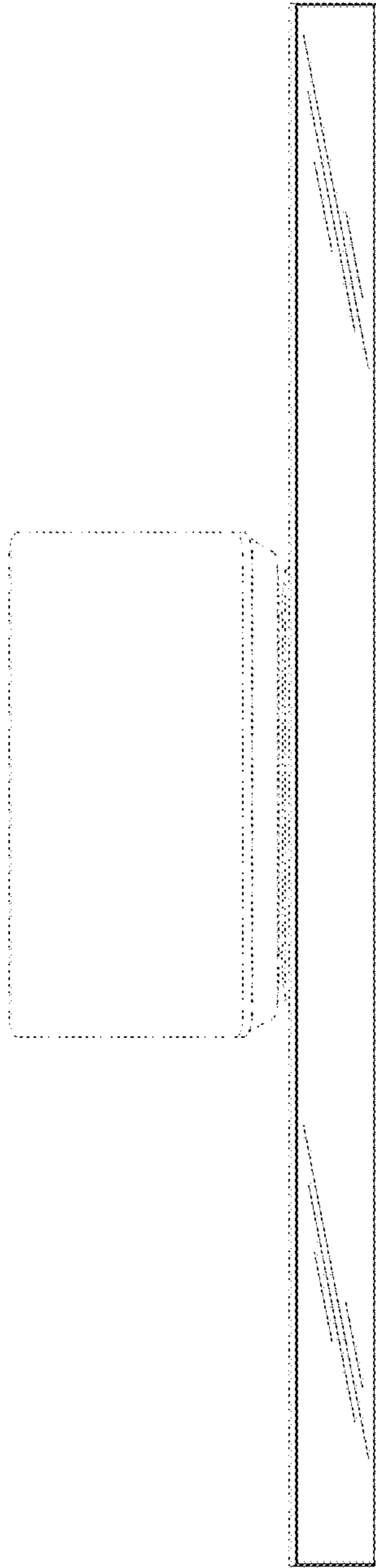


FIG.8

