



US00D848385S

(12) **United States Design Patent** (10) **Patent No.:** **US D848,385 S**
Moon et al. (45) **Date of Patent:** **** May 14, 2019**

(54) **WIRELESS REPEATER**

(56) **References Cited**

(71) Applicant: **Samsung Electronics Co., Ltd.**,
Suwon-si (KR)
(72) Inventors: **Ji-Hyun Moon**, Gwangmyeong-Si
(KR); **Eun-Ae Lee**, Seoul (KR);
Moon-Jung Jang, Gunpo-si (KR)
(73) Assignee: **Samsung Electronics Co., Ltd.**,
Suwon-si (KR)
(**) Term: **15 Years**
(21) Appl. No.: **29/601,924**
(22) Filed: **Apr. 27, 2017**

U.S. PATENT DOCUMENTS

D597,543 S	8/2009	Urban	
D641,740 S	7/2011	Jeon et al.	
D645,443 S	9/2011	Maruyama et al.	
D648,689 S	* 11/2011	Mehlsen	D14/125
D651,993 S	1/2012	Cheng	
D686,201 S	* 7/2013	Lee	D14/314
D687,817 S	8/2013	Petersen et al.	
D693,809 S	* 11/2013	Chong	D14/368
D694,753 S	* 12/2013	McManigal	D14/368
D704,176 S	5/2014	Kwak et al.	
D727,259 S	* 4/2015	Hwang	D13/108
D729,216 S	5/2015	Peng et al.	
D730,880 S	6/2015	Nagata et al.	
D733,278 S	* 6/2015	Newlin	D23/366
D736,193 S	8/2015	Kwak et al.	
D740,262 S	10/2015	Hasegawa et al.	
D742,864 S	11/2015	Kurosawa et al.	

(Continued)

Related U.S. Application Data

(63) Continuation of application No. 29/548,844, filed on
Dec. 17, 2015, now Pat. No. Des. 789,360.

Primary Examiner — Lakiya G Rogers

Assistant Examiner — John A Voytek

(74) *Attorney, Agent, or Firm* — NSIP Law

(30) **Foreign Application Priority Data**

Sep. 2, 2015 (KR) 30-2015-0044341

(51) **LOC (11) Cl.** **14-03**

(52) **U.S. Cl.**
USPC **D14/125; D14/511**

(58) **Field of Classification Search**
USPC D14/125, 138 C, 138 R, 140.1, 155, 159,
D14/167, 230, 231, 232, 233, 234, 235,
D14/236, 237, 238, 240, 242, 243, 299,
D14/348, 349, 351, 353, 354, 355, 356,
D14/357, 358, 367, 385, 433, 435, 436,
D14/474, 480, 496, 511; D13/123, 184;
D10/75, 104.1

See application file for complete search history.

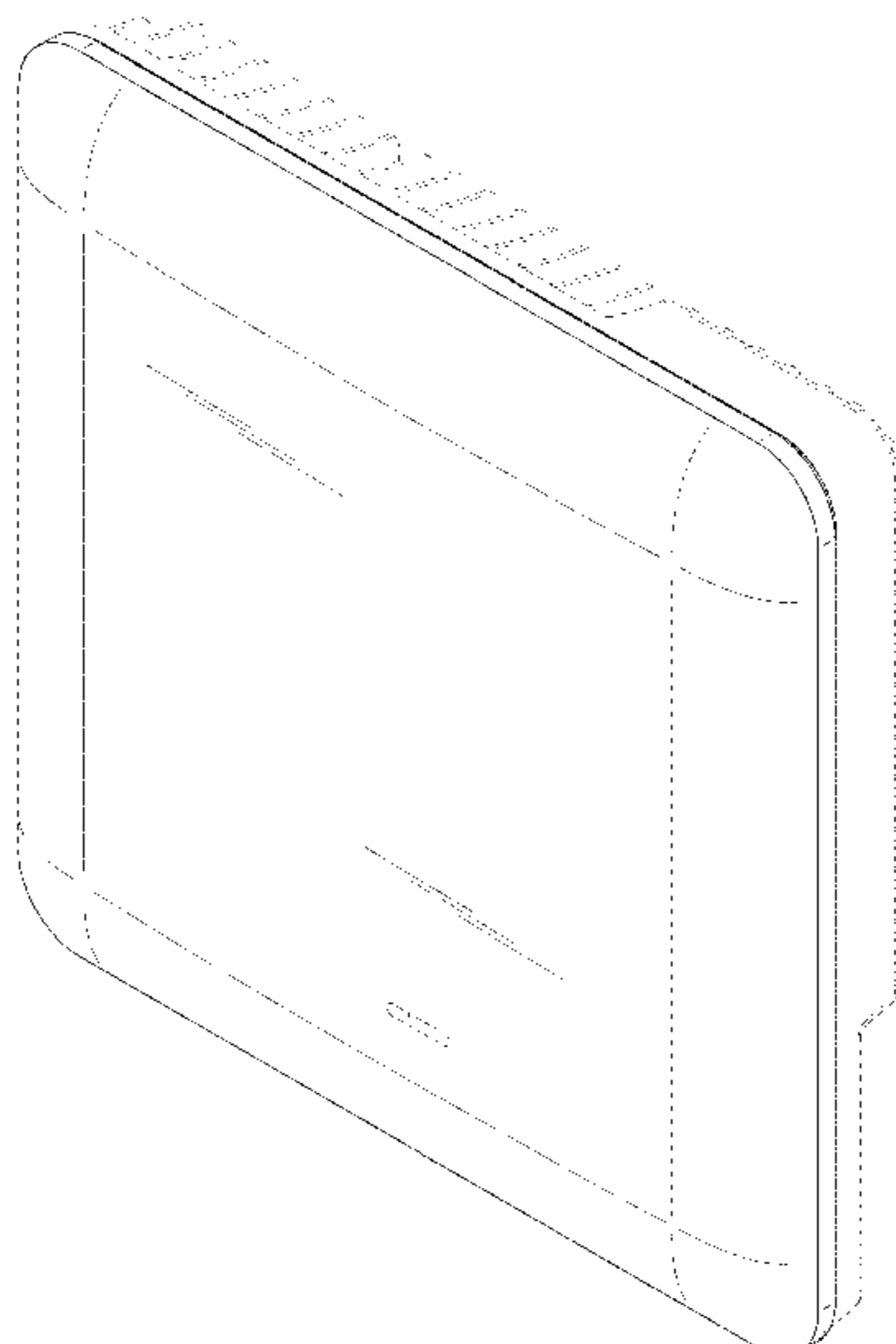
(57) **CLAIM**

We claim the ornamental design for a wireless repeater, as
shown and described.

DESCRIPTION

FIG. 1 is a front perspective view of a wireless repeater
showing our new design;
FIG. 2 is a front view thereof;
FIG. 3 is a rear view thereof;
FIG. 4 is a left-side view thereof;
FIG. 5 is a right-side view thereof;
FIG. 6 is a top view thereof;
FIG. 7 is a bottom view thereof; and,
FIG. 8 is a rear perspective view thereof.
The broken lines in the figures depict environmental subject
matter and form no part of the claimed design.

1 Claim, 6 Drawing Sheets



(56)

References Cited

U.S. PATENT DOCUMENTS

D759,639 S	6/2016	Moon et al.	
D781,257 S *	3/2017	Moon	D14/125
D781,797 S *	3/2017	Moon	D14/125
D797,099 S *	9/2017	Wieser	D14/300
D797,101 S *	9/2017	Wieser	D14/358
D810,258 S *	2/2018	You	D23/358
D812,560 S *	3/2018	Xu	D13/107

* cited by examiner

FIG. 1

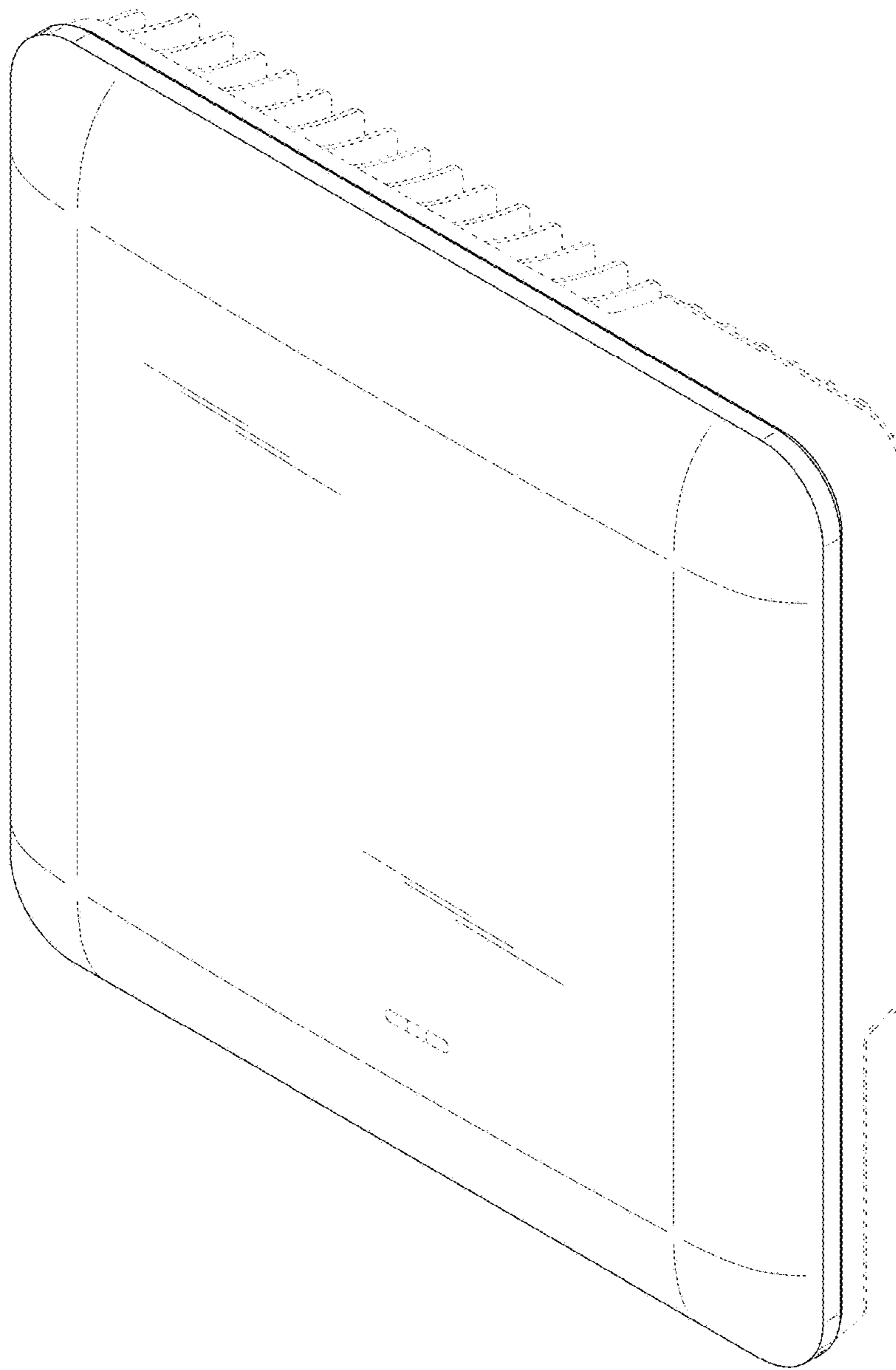


FIG. 2

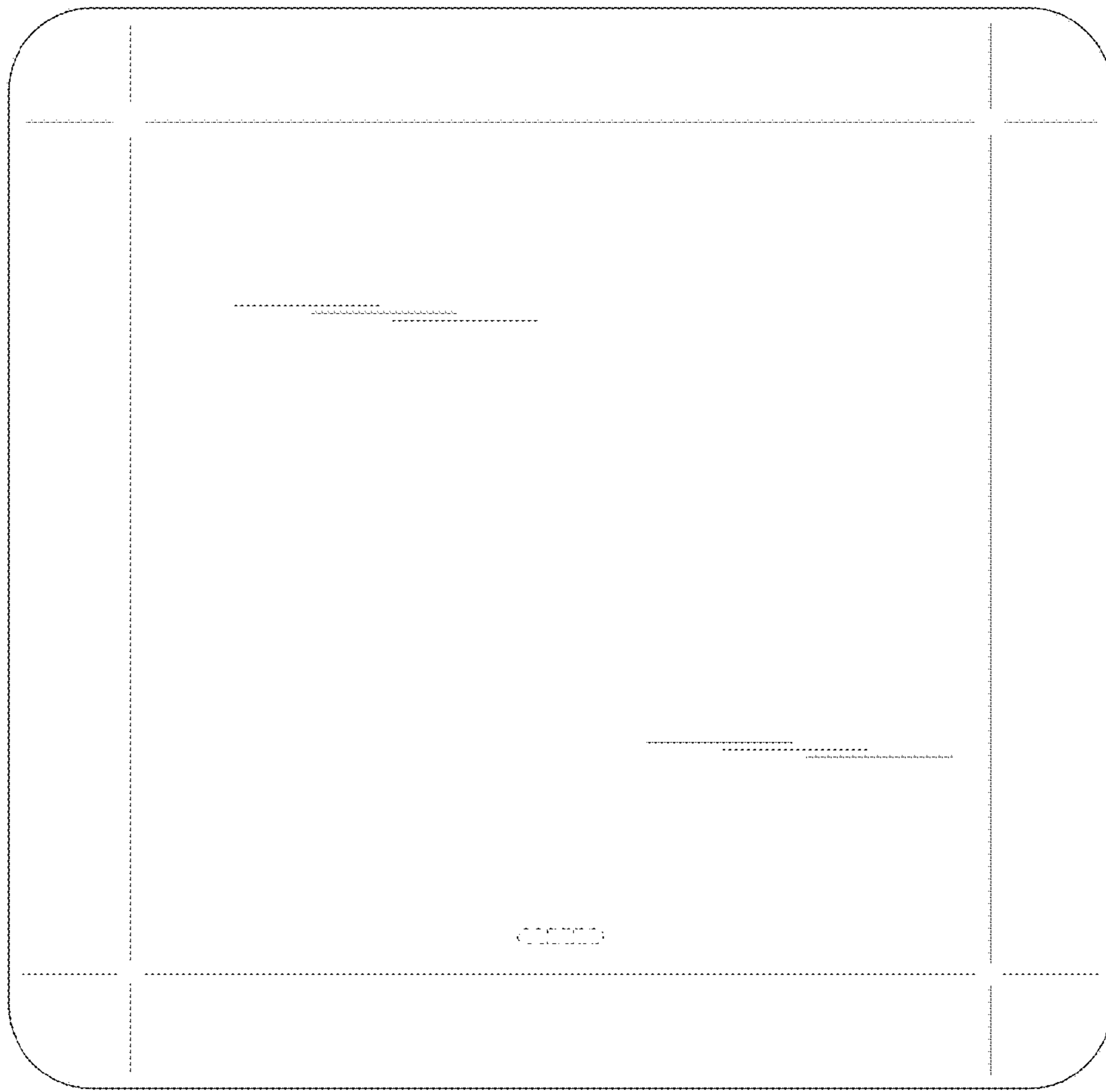


FIG. 3

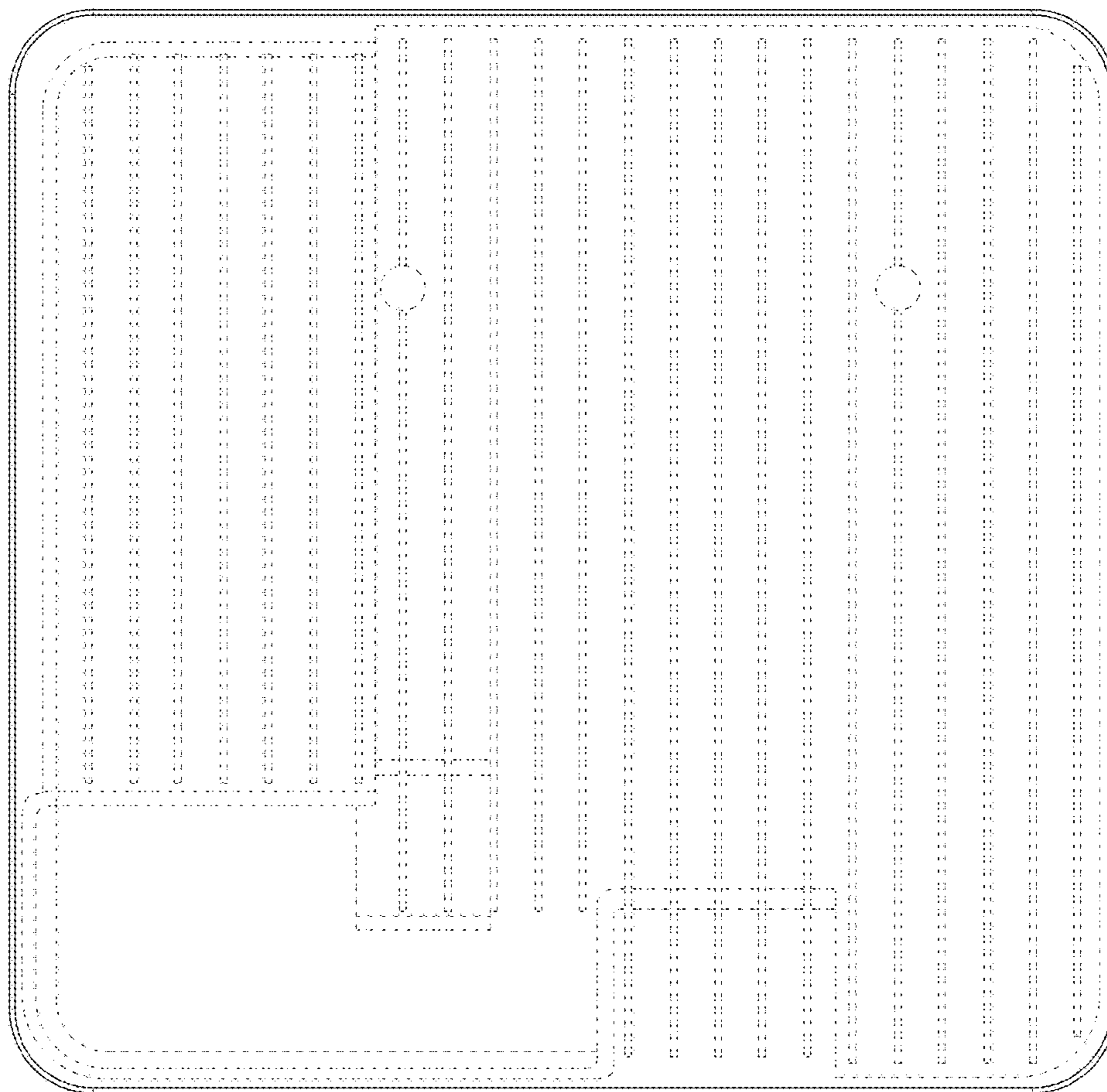


FIG. 4

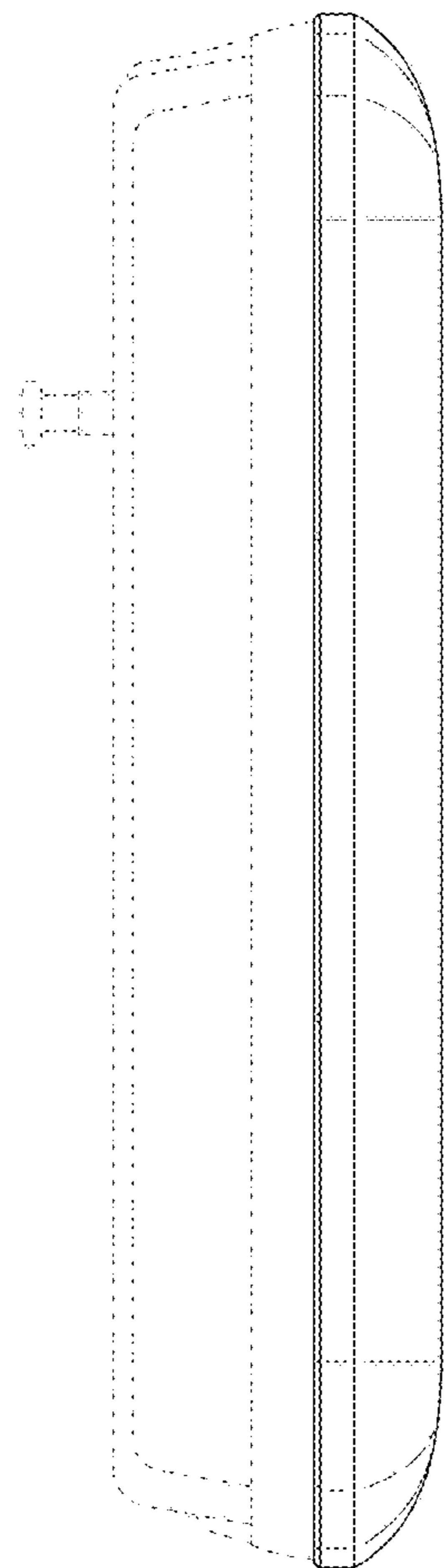


FIG. 5

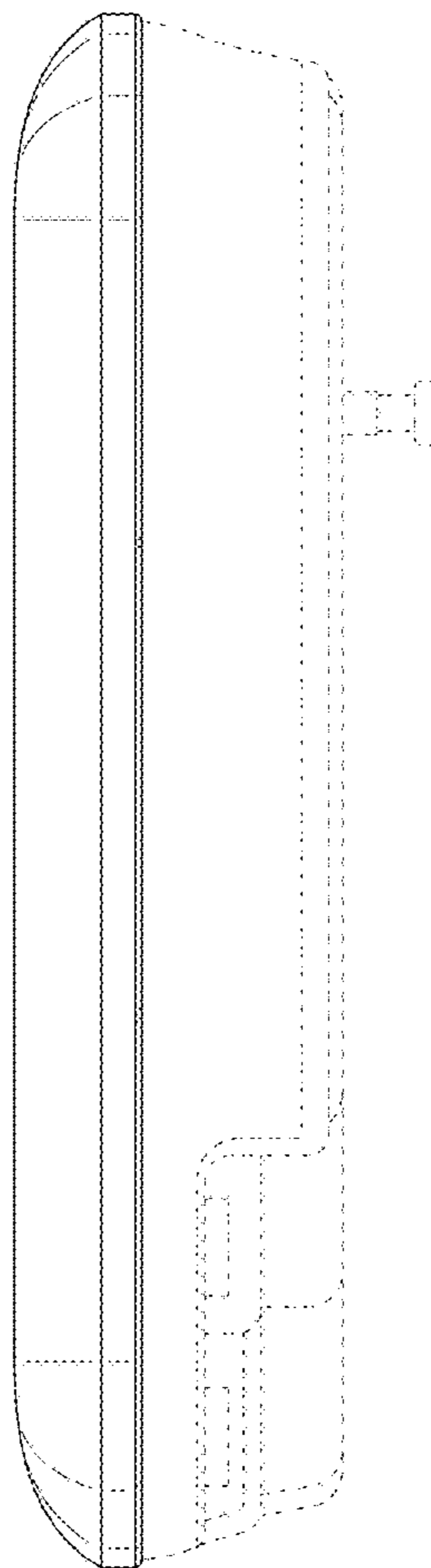


FIG. 6

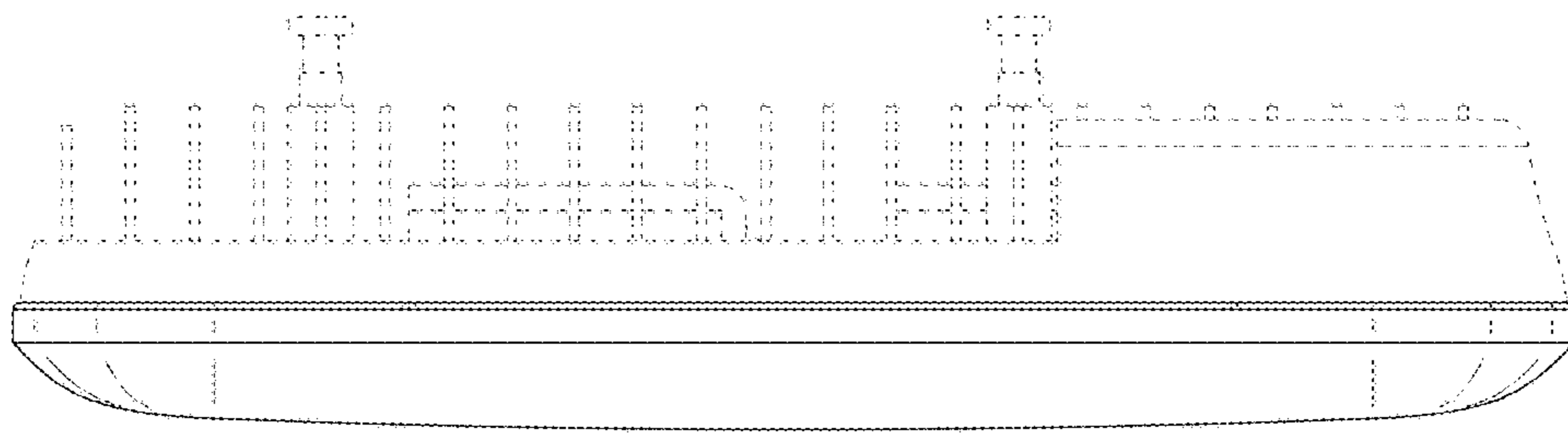


FIG. 7

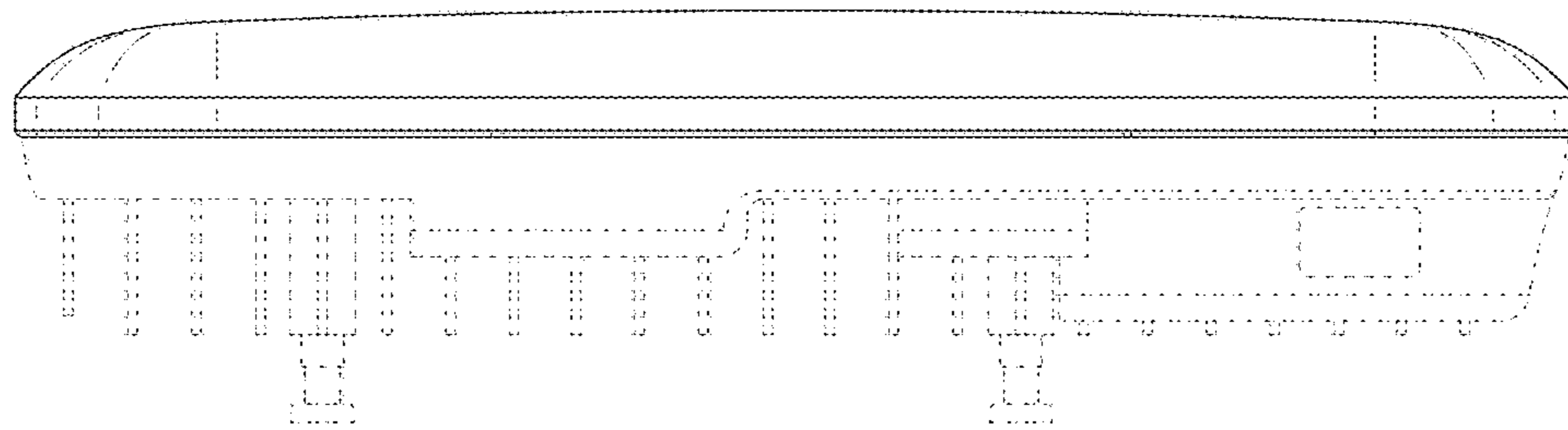


FIG. 8

