



US00D848384S

(12) **United States Design Patent**
Feng

(10) **Patent No.:** **US D848,384 S**

(45) **Date of Patent:** **** May 14, 2019**

- (54) **TRANSISTOR**
- (71) Applicant: **EPISTAR CORPORATION**, Hsinchu (TW)
- (72) Inventor: **Tien-Ching Feng**, Hsinchu (TW)
- (73) Assignee: **EPISTAR CORPORATION**, Hsinchu (TW)
- (**) Term: **15 Years**
- (21) Appl. No.: **29/614,297**
- (22) Filed: **Aug. 17, 2017**
- (51) **LOC (11) Cl.** **13-03**
- (52) **U.S. Cl.**
USPC **D13/182**
- (58) **Field of Classification Search**
USPC D13/182, 184, 199; 257/9, 49, 51, 67, 257/286, 401, 618; 438/151, 158, 300, 438/690
CPC H01L 29/72; H01L 29/08; H01L 29/785; H01L 29/7391; H01L 21/28; H01L 21/28176; H01L 21/283
See application file for complete search history.

- (56) **References Cited**
U.S. PATENT DOCUMENTS
2,696,574 A * 12/1954 Rich H01L 23/10 257/41
2,696,575 A * 12/1954 Fogg H01L 23/10 257/41
2,829,257 A * 4/1958 Elihu H03K 3/2828 315/136
2,929,753 A * 3/1960 Noyce C30B 31/06 148/33.2
2,988,652 A * 6/1961 Rutz H01L 27/0688 257/565
3,002,100 A * 9/1961 Rutz H01L 29/00 250/214 R

- 3,387,286 A * 6/1968 Dennard G11C 11/404 257/296
- 4,339,765 A * 7/1982 Nakamura H01L 29/0808 257/560
- 4,370,670 A * 1/1983 Nawata H01L 29/0804 257/577
- 4,408,387 A * 10/1983 Kiriseko H01L 21/033 257/517
- 4,590,666 A * 5/1986 Goto H01L 21/033 148/DIG. 10
- 4,639,757 A * 1/1987 Shimizu H01L 29/0804 257/577
- 4,782,378 A * 11/1988 Sekiya H01L 27/0772 257/495
- 4,827,322 A * 5/1989 Takata H01L 27/0825 257/541
- 4,835,588 A * 5/1989 Nawata H01L 23/522 257/580

(Continued)

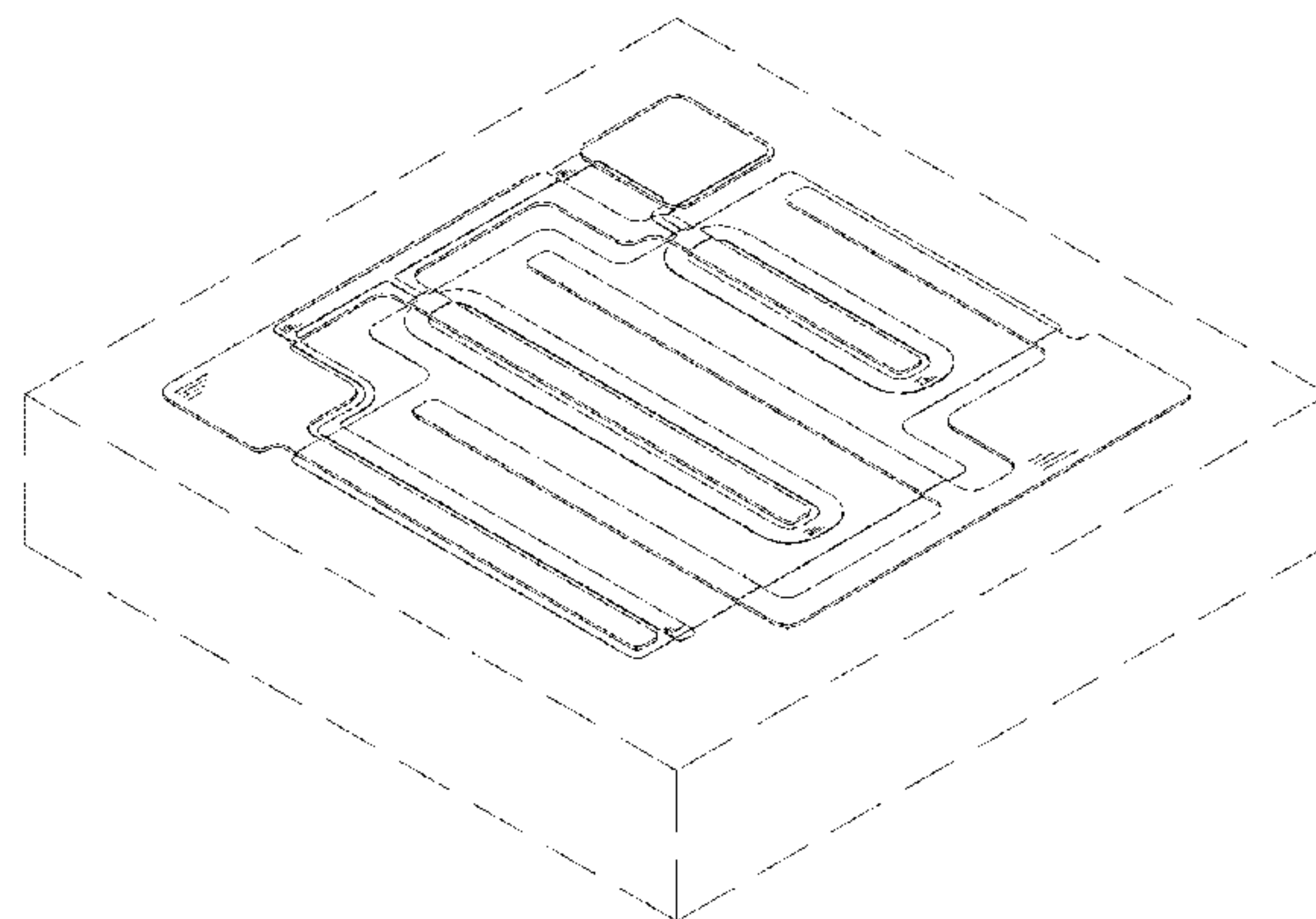
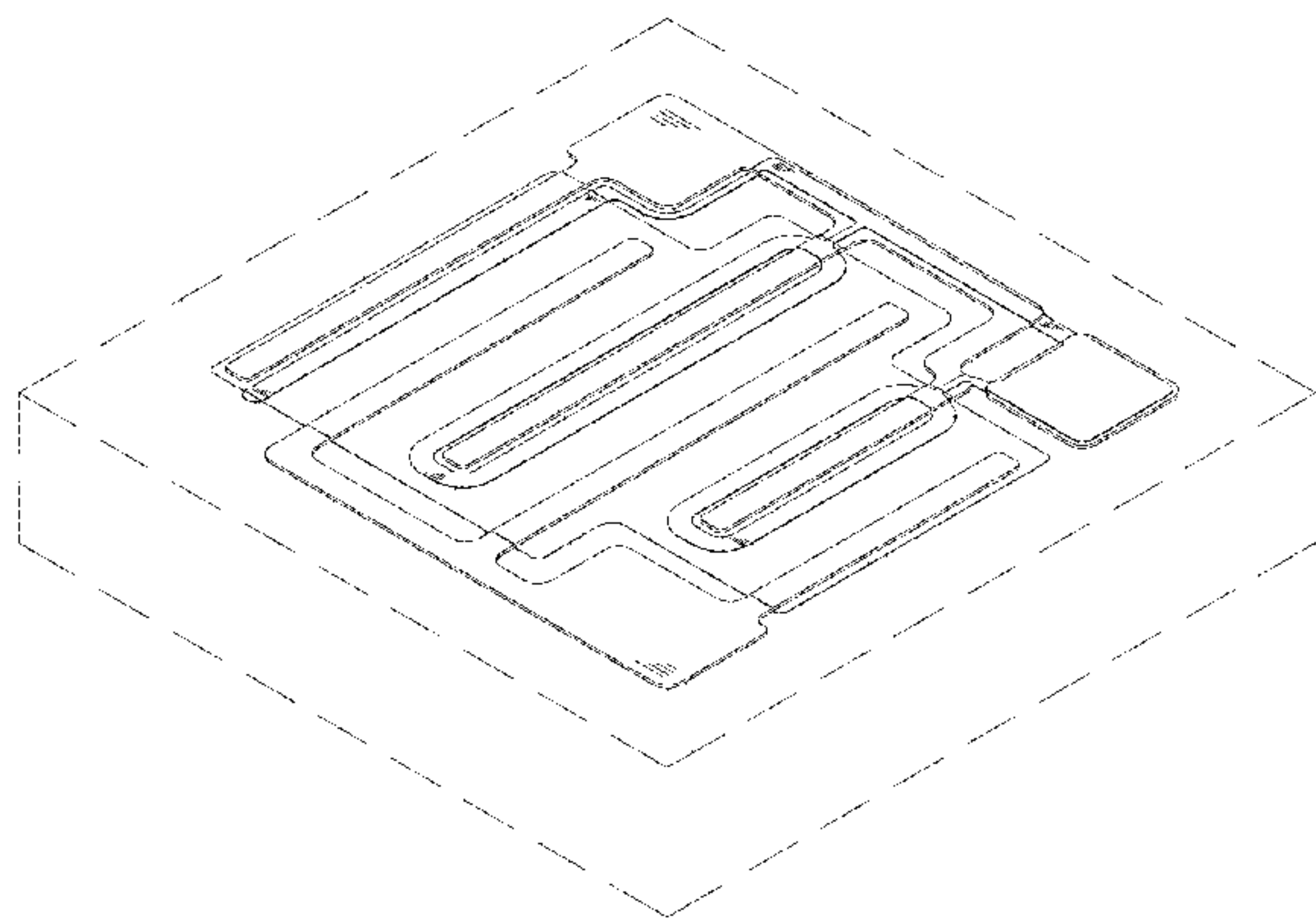
Primary Examiner — Elizabeth J Oswecki
(74) *Attorney, Agent, or Firm* — Muncy, Geissler, Olds & Lowe, P.C.

(57) **CLAIM**
The ornamental design for a transistor, as shown and described.

DESCRIPTION

FIG. 1 is a perspective view of a transistor showing my new design;
FIG. 2 is another perspective view thereof;
FIG. 3 is a front elevational view thereof;
FIG. 4 is a rear elevational view thereof;
FIG. 5 is a left side view thereof;
FIG. 6 is a right side view thereof;
FIG. 7 is a top plan view thereof; and,
FIG. 8 is a bottom plan view thereof.
The broken line showing is for the purpose of illustrating environmental structure only and forms no part of the claimed design.

1 Claim, 6 Drawing Sheets



(56)

References Cited

U.S. PATENT DOCUMENTS

4,860,082 A * 8/1989 Moriyama H01L 21/76202
257/513
6,043,507 A * 3/2000 Dennison H01L 29/72
257/286
D443,253 S * 6/2001 Nagase D13/182
D524,763 S * 7/2006 Nakano D13/182
9,601,604 B2 * 3/2017 Britton H01L 29/72
9,748,379 B2 * 8/2017 Hwu H01L 29/72
2002/0189083 A1 * 12/2002 Matsumoto H01F 27/027
29/743

* cited by examiner

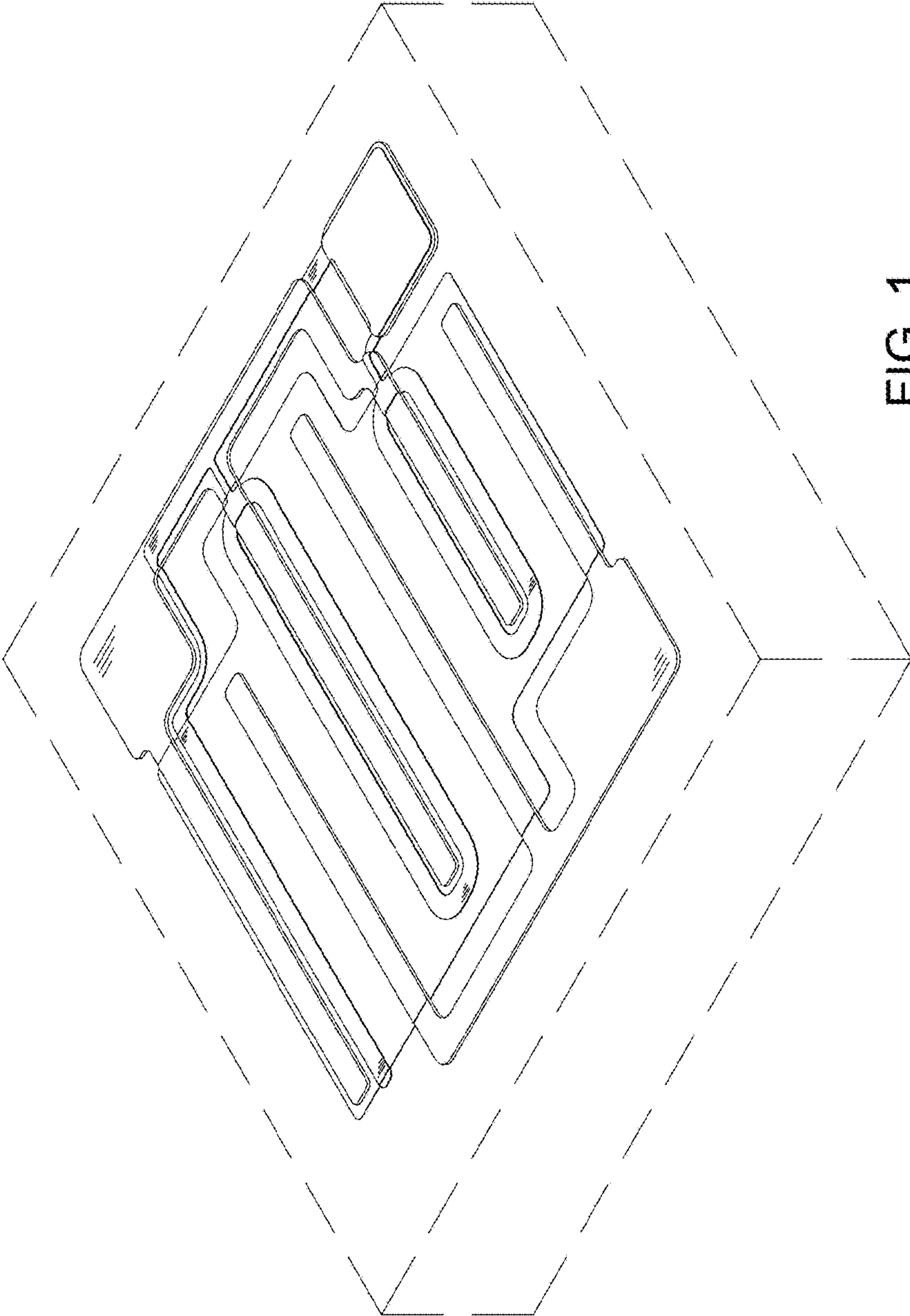


FIG. 1

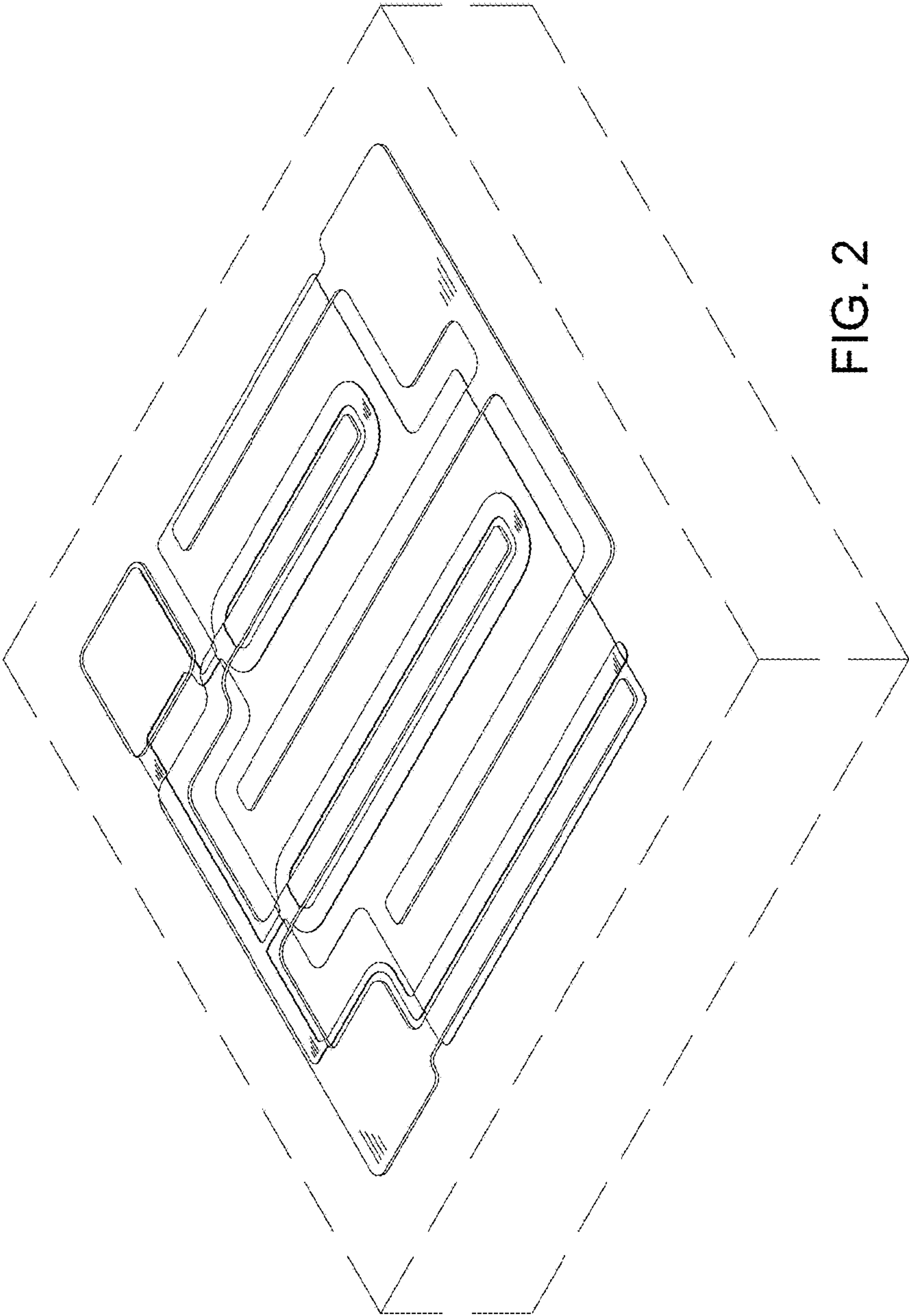


FIG. 2

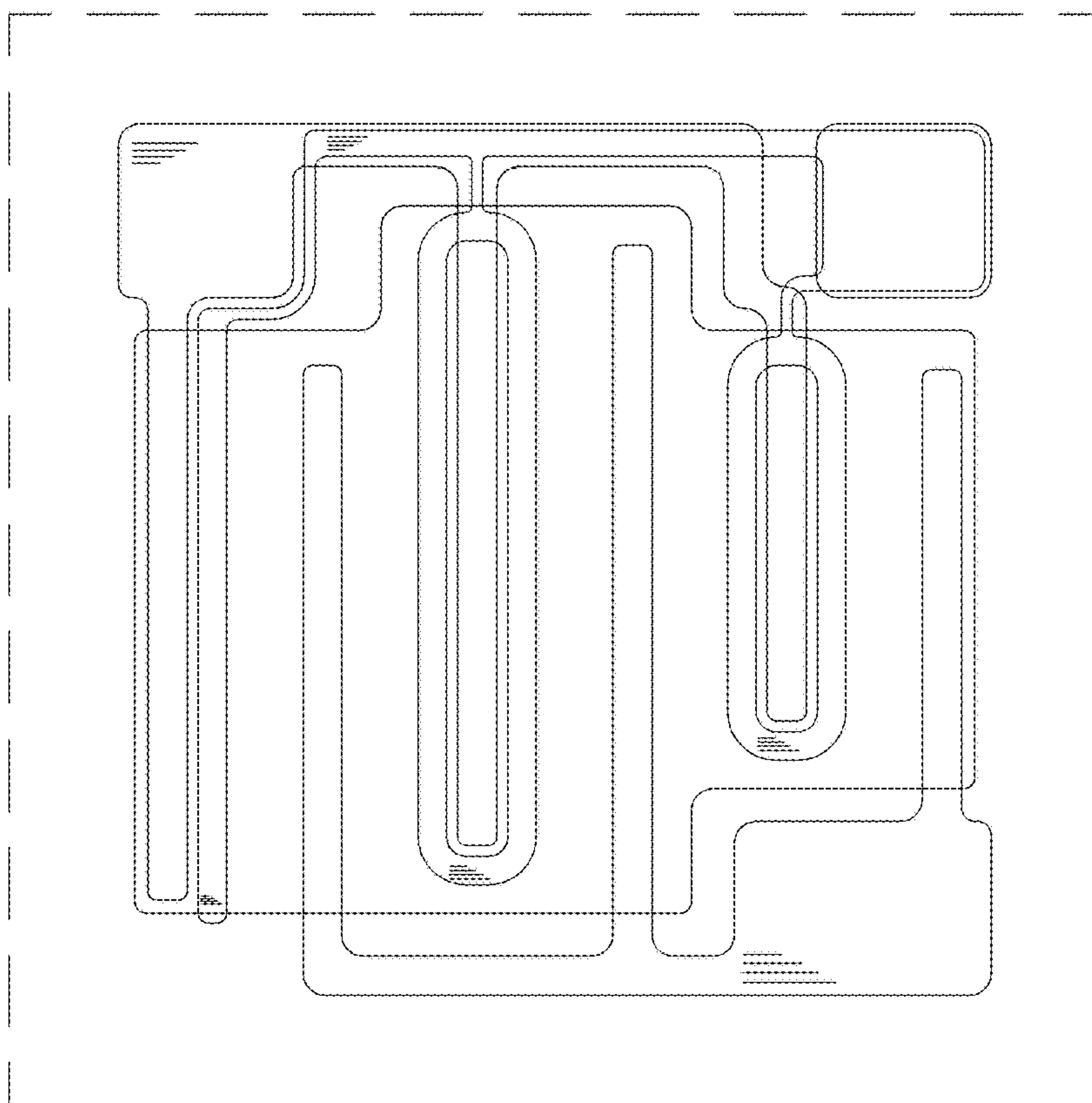


FIG. 3



FIG. 4

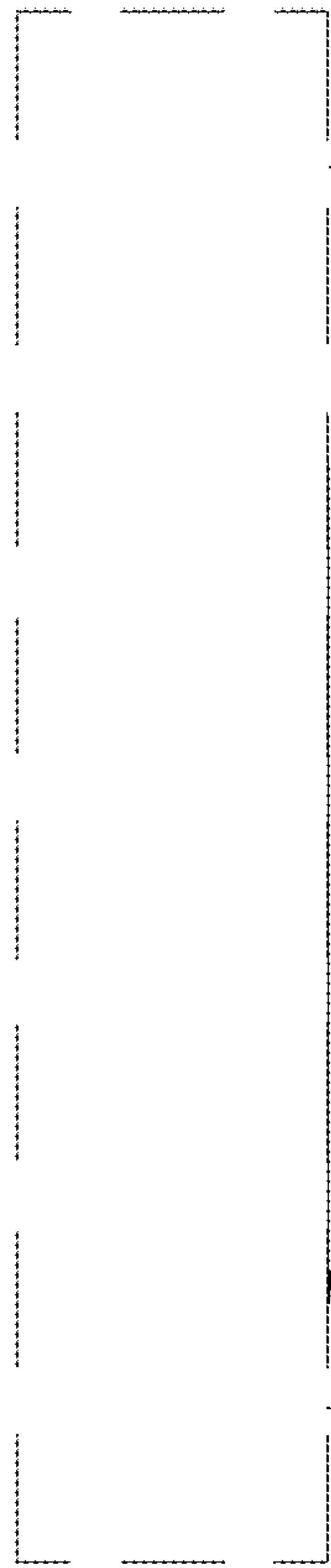


FIG. 5

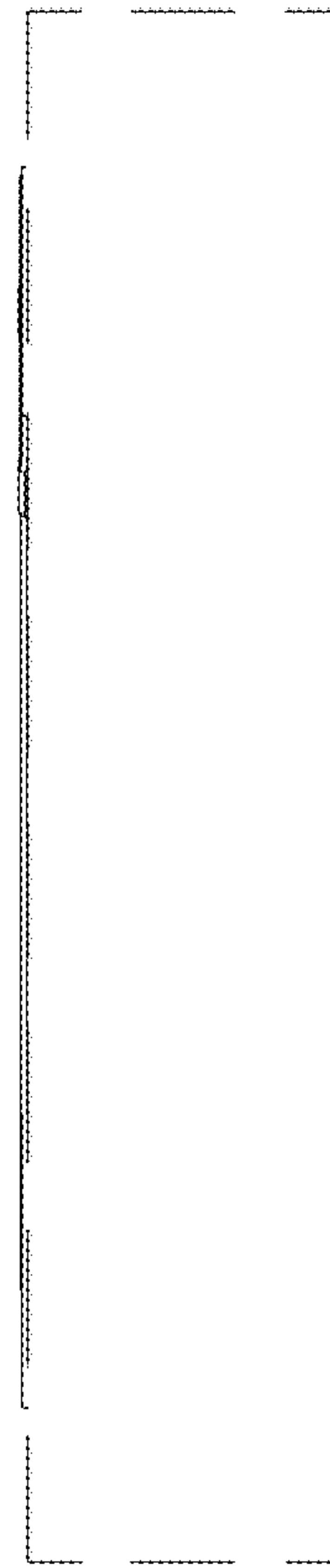


FIG. 6



FIG. 7

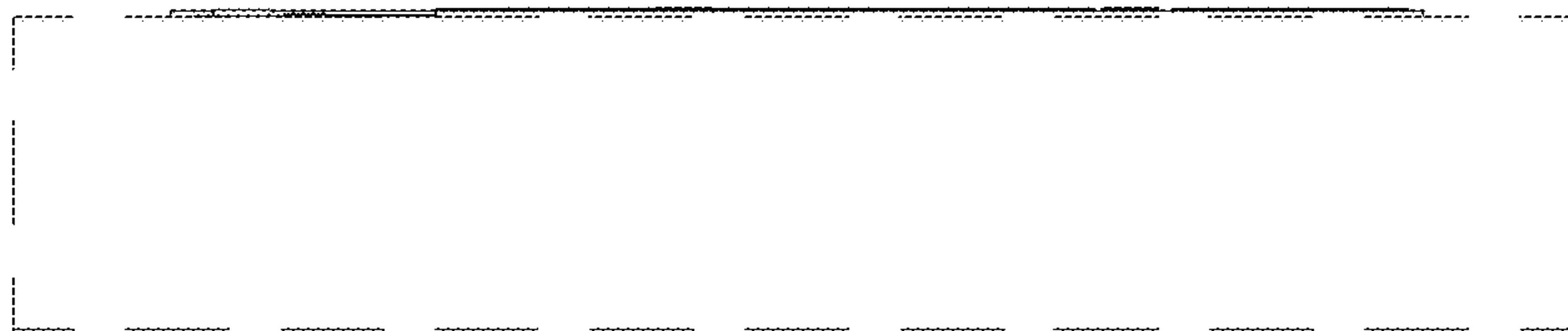


FIG. 8