



US00D848381S

(12) **United States Design Patent**  
**Cheng**

(10) **Patent No.:** **US D848,381 S**

(45) **Date of Patent:** **\*\* May 14, 2019**

(54) **AUTOMOBILE MULTIMEDIA WIRELESS CONTROLLER**

(71) Applicant: **Weibing Cheng**, Hubei (CN)

(72) Inventor: **Weibing Cheng**, Hubei (CN)

(\*\*) Term: **15 Years**

(21) Appl. No.: **29/611,263**

(22) Filed: **Jul. 20, 2017**

(51) **LOC (11) Cl.** ..... **D13-03**

(52) **U.S. Cl.**  
USPC ..... **D13/168**; D13/171

(58) **Field of Classification Search**  
USPC ..... D13/158, 168, 170, 171, 174; D14/218  
CPC .. H01H 3/02; H01H 3/08; H01H 3/12; H01H 3/16; H01H 13/04; H01H 13/14; H01H 19/04; H01H 19/14; H01H 9/02; H05K 5/0017; H05K 5/0026; G05G 1/08; G05G 1/10; G06F 3/0362; H02G 3/14  
See application file for complete search history.

(56) **References Cited**

U.S. PATENT DOCUMENTS

- D432,998 S \* 10/2000 Decosse ..... D13/174
- D564,974 S \* 3/2008 Berg ..... D13/164
- D571,310 S \* 6/2008 Collins ..... D13/158
- 7,450,108 B2 \* 11/2008 Clabunde ..... G05G 9/047  
200/18
- 7,550,686 B2 \* 6/2009 Girke ..... H01H 9/182  
200/11 R
- D601,100 S \* 9/2009 Wahrenberg ..... D13/171
- 7,680,574 B2 \* 3/2010 Berg ..... B60K 35/00  
345/173
- D698,754 S \* 2/2014 Vuillet ..... D13/168
- D700,904 S \* 3/2014 Miller ..... D13/168
- 8,901,443 B2 \* 12/2014 Baker ..... G06F 3/0362  
200/17 R

- 8,987,620 B2 \* 3/2015 Gohng ..... G06F 3/016  
200/61.54
- 9,691,563 B2 \* 6/2017 Okazaki ..... H01H 3/12
- 9,779,899 B1 \* 10/2017 McMahon ..... H01H 27/10
- D807,308 S \* 1/2018 Johnson ..... D13/174
- 9,870,877 B2 \* 1/2018 Wu ..... H01H 9/02
- D812,577 S \* 3/2018 Turksu ..... D13/168
- D816,622 S \* 5/2018 Feng ..... D13/174
- 2006/0237294 A1 \* 10/2006 Greer ..... H01H 1/5805  
200/313
- 2010/0258412 A1 \* 10/2010 Soldo ..... H01H 9/02  
200/11 R
- 2014/0216904 A1 \* 8/2014 Yamamoto ..... H01H 9/02  
200/295
- 2014/0380243 A1 \* 12/2014 Furue ..... G06F 3/0482  
715/835
- 2015/0231969 A1 \* 8/2015 Holl ..... B60K 37/06  
345/158
- 2015/0331441 A1 \* 11/2015 Ho ..... H05K 5/0239  
361/752
- 2015/0340178 A1 \* 11/2015 Shimoyama ..... H01H 3/022  
200/4
- 2016/0085321 A1 \* 3/2016 Jung ..... G06F 3/0362  
345/184

(Continued)

*Primary Examiner* — Selina Sikder

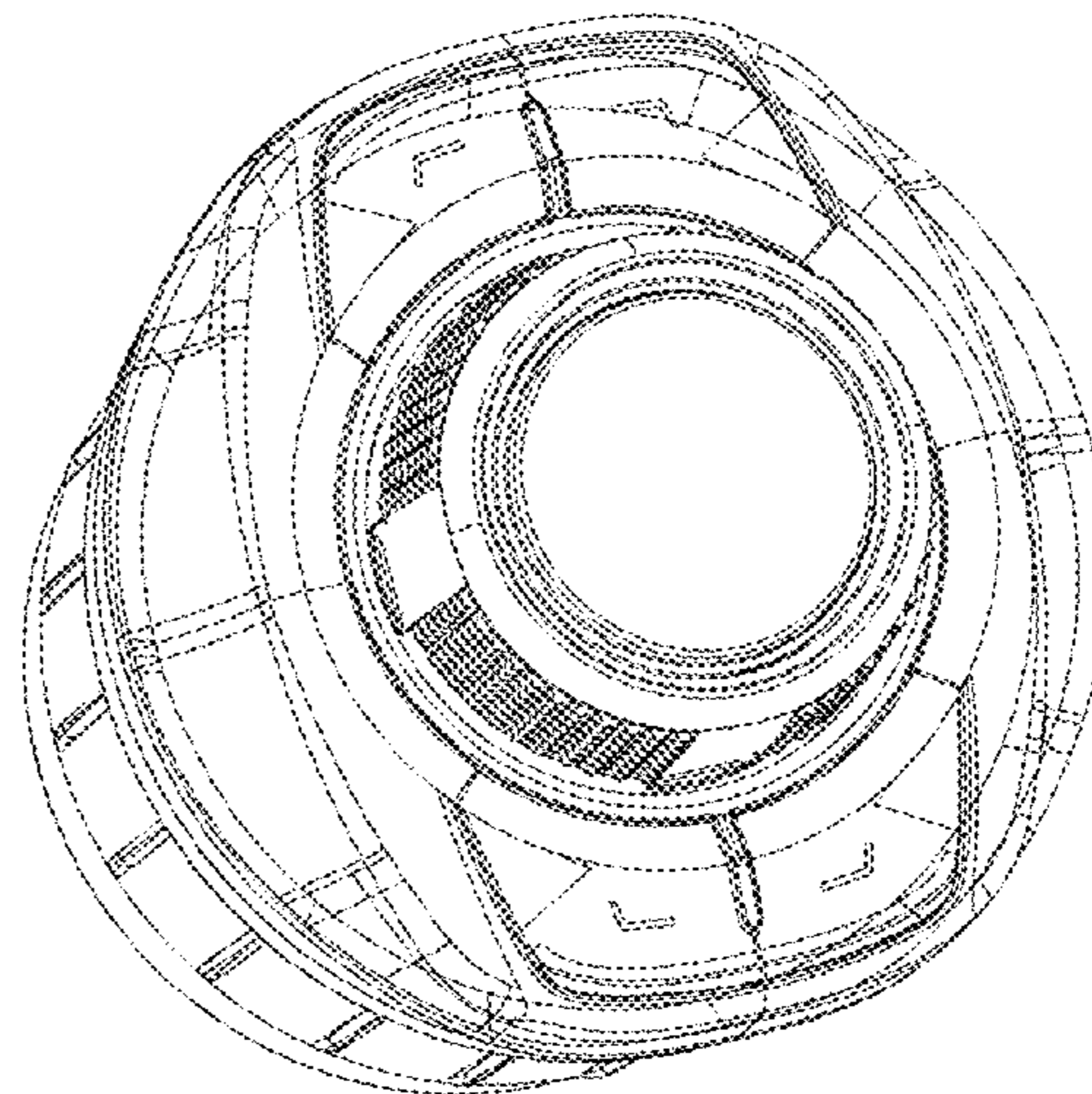
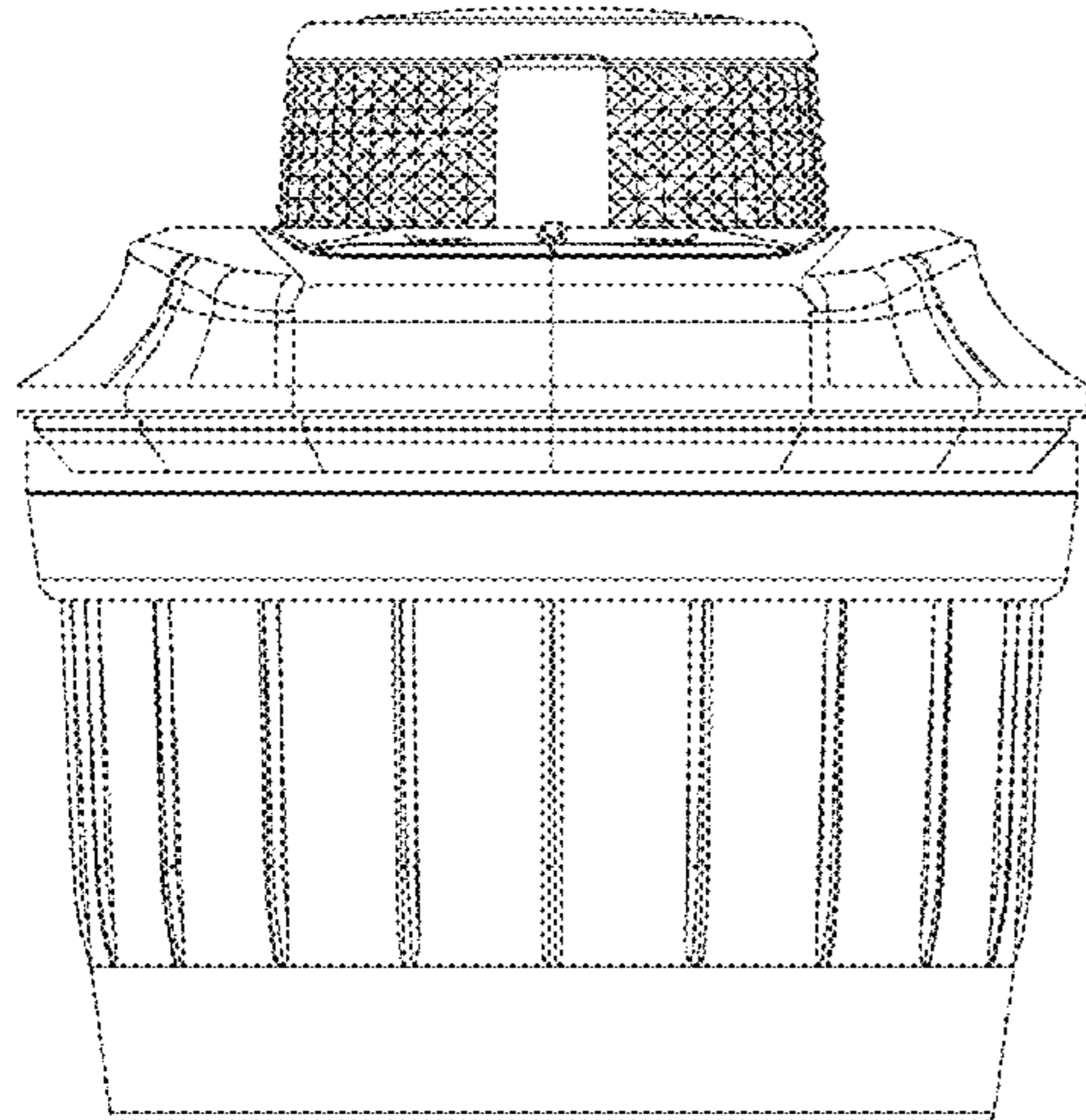
(57) **CLAIM**

The ornamental design for automobile multimedia wireless controller, as shown and described.

**DESCRIPTION**

FIG. 1 is a front elevational view of automobile multimedia wireless controller showing my new design; FIG. 2 is a rear elevational view thereof; FIG. 3 is a left side elevational view thereof; FIG. 4 is a right side elevational view thereof; FIG. 5 is a top plan view thereof; FIG. 6 is a bottom plan view thereof; and, FIG. 7 is a perspective view thereof.

**1 Claim, 7 Drawing Sheets**



(56)

**References Cited**

U.S. PATENT DOCUMENTS

2018/0130619 A1\* 5/2018 Neese ..... H01H 19/14

\* cited by examiner

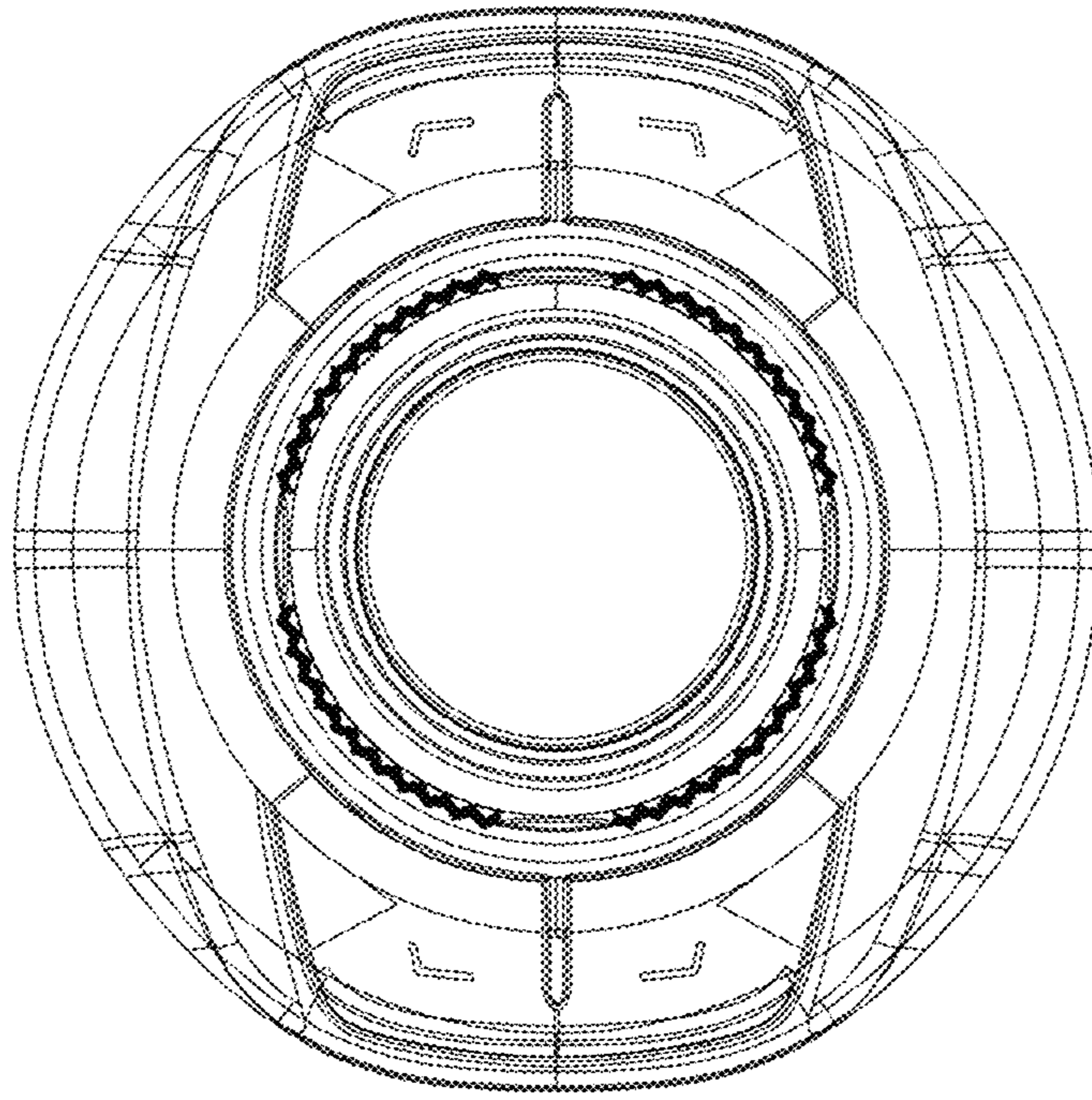


FIG.1

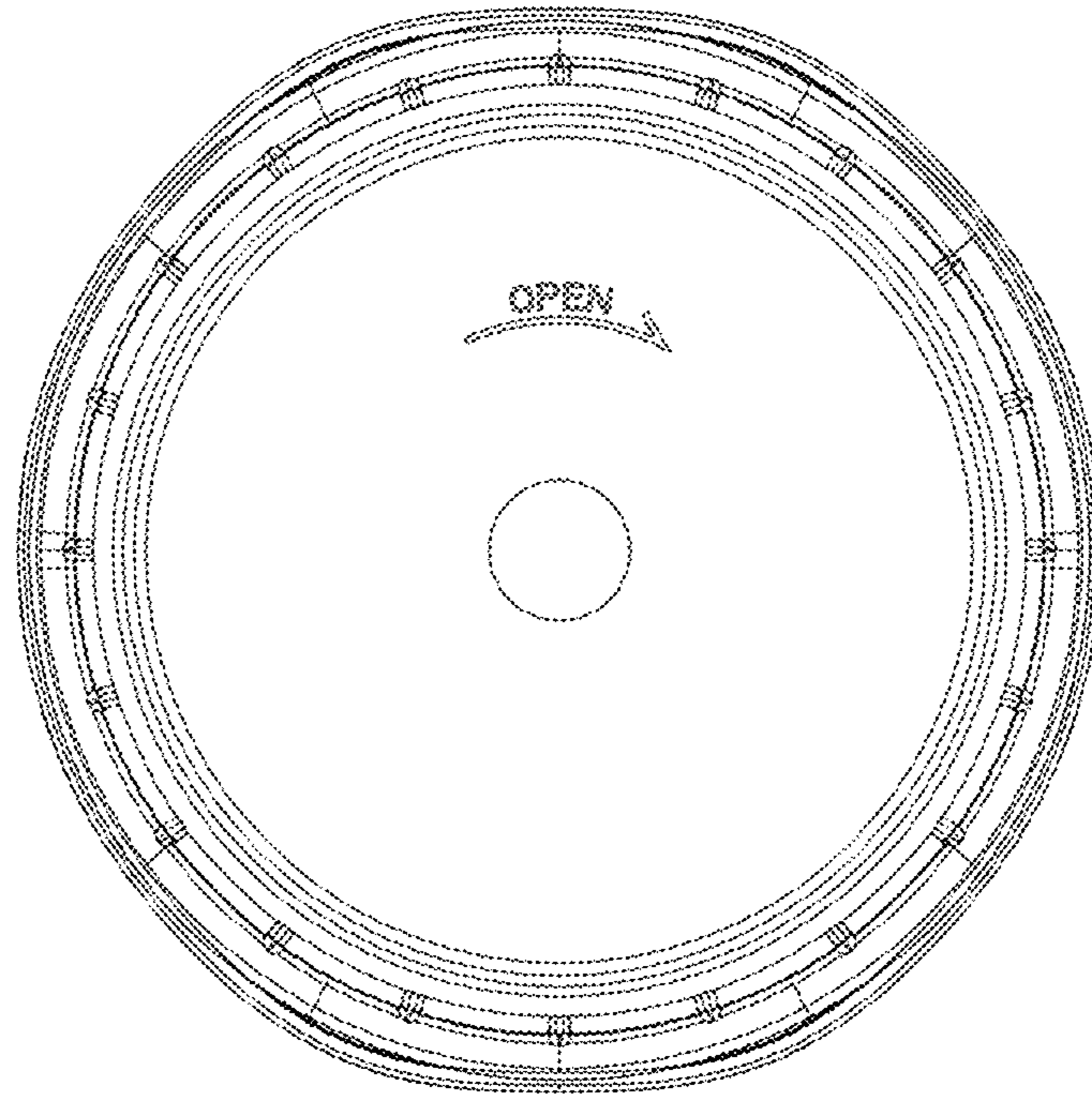


FIG.2

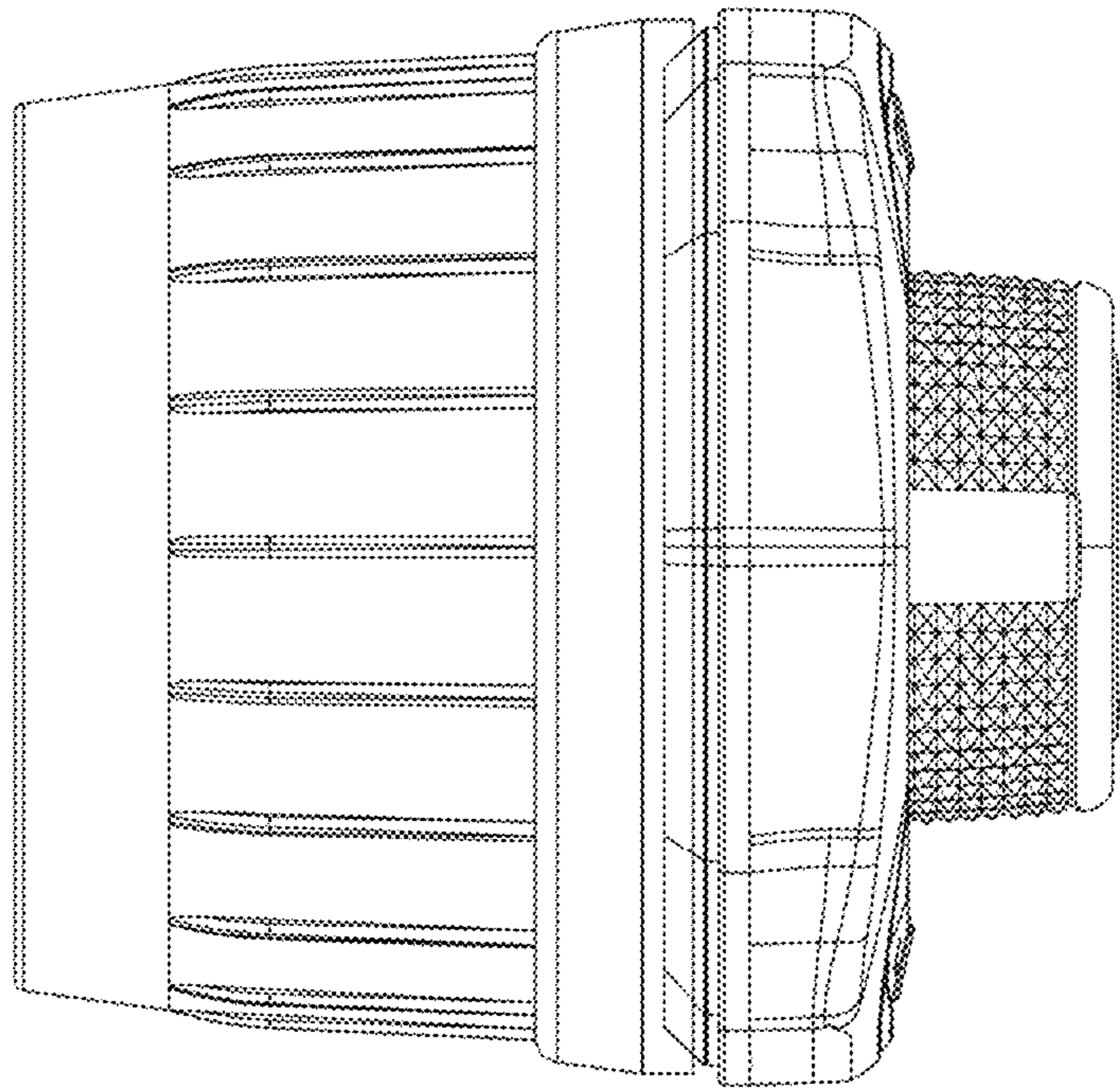


FIG.3

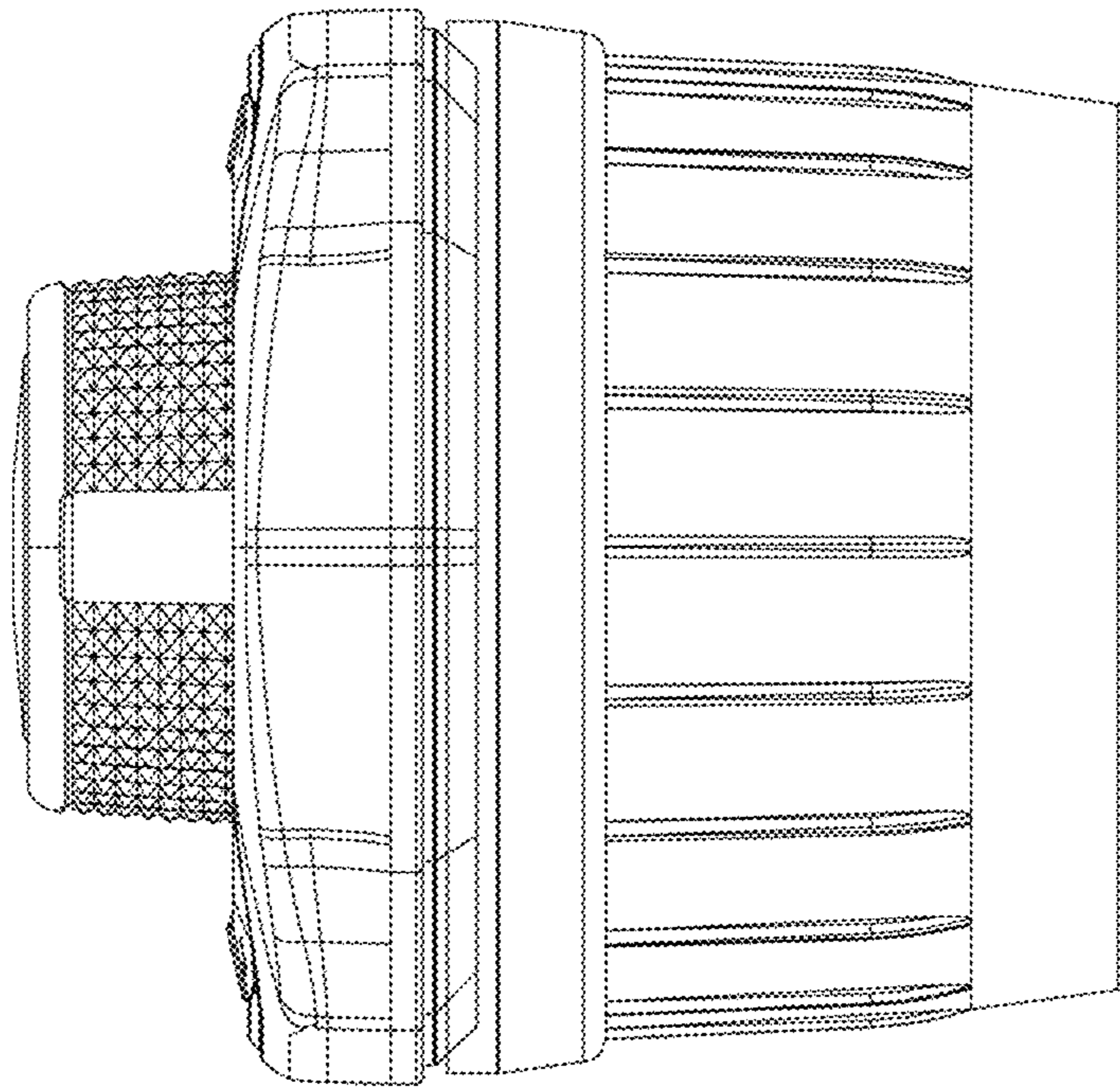


FIG.4

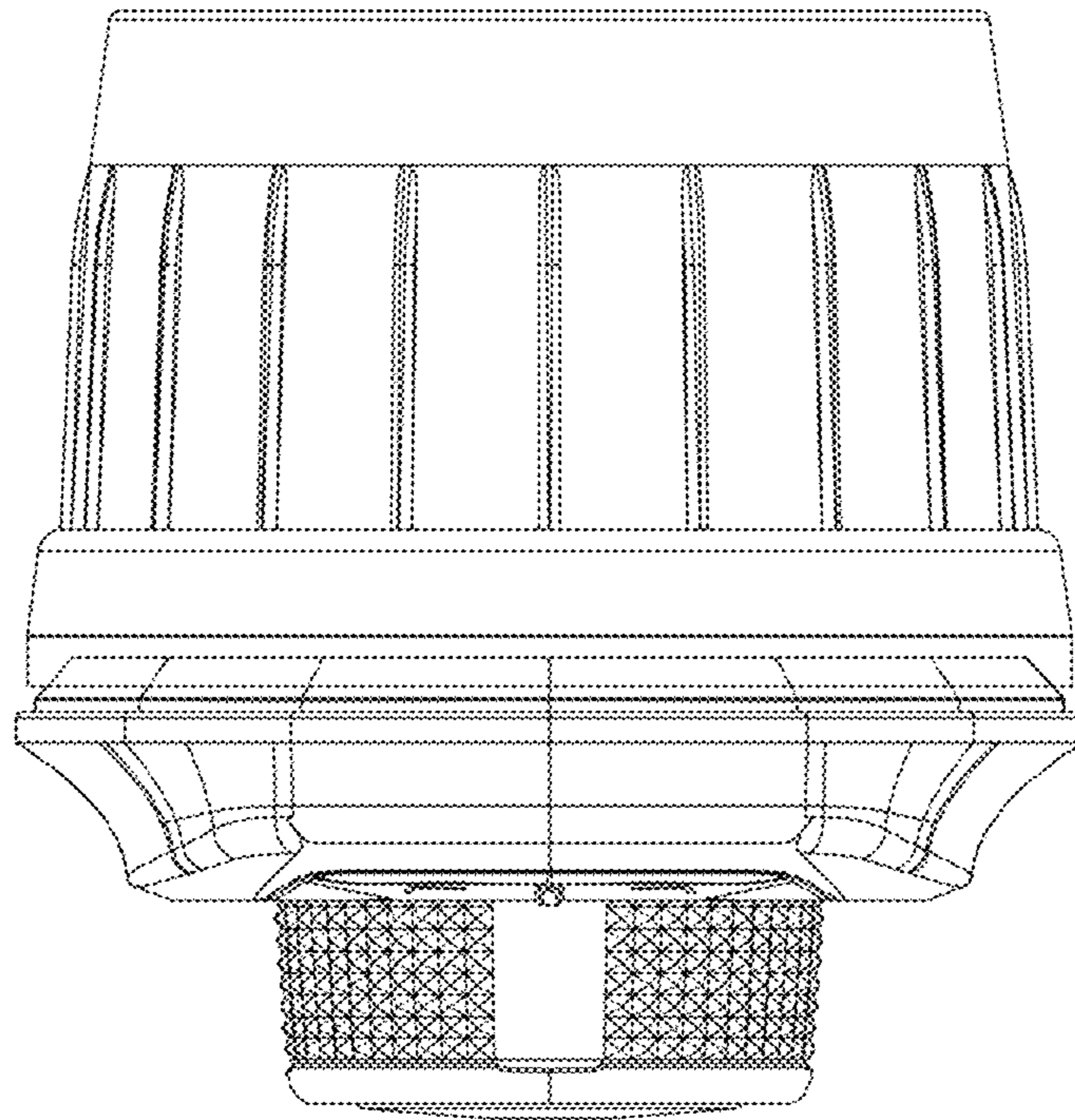


FIG.5

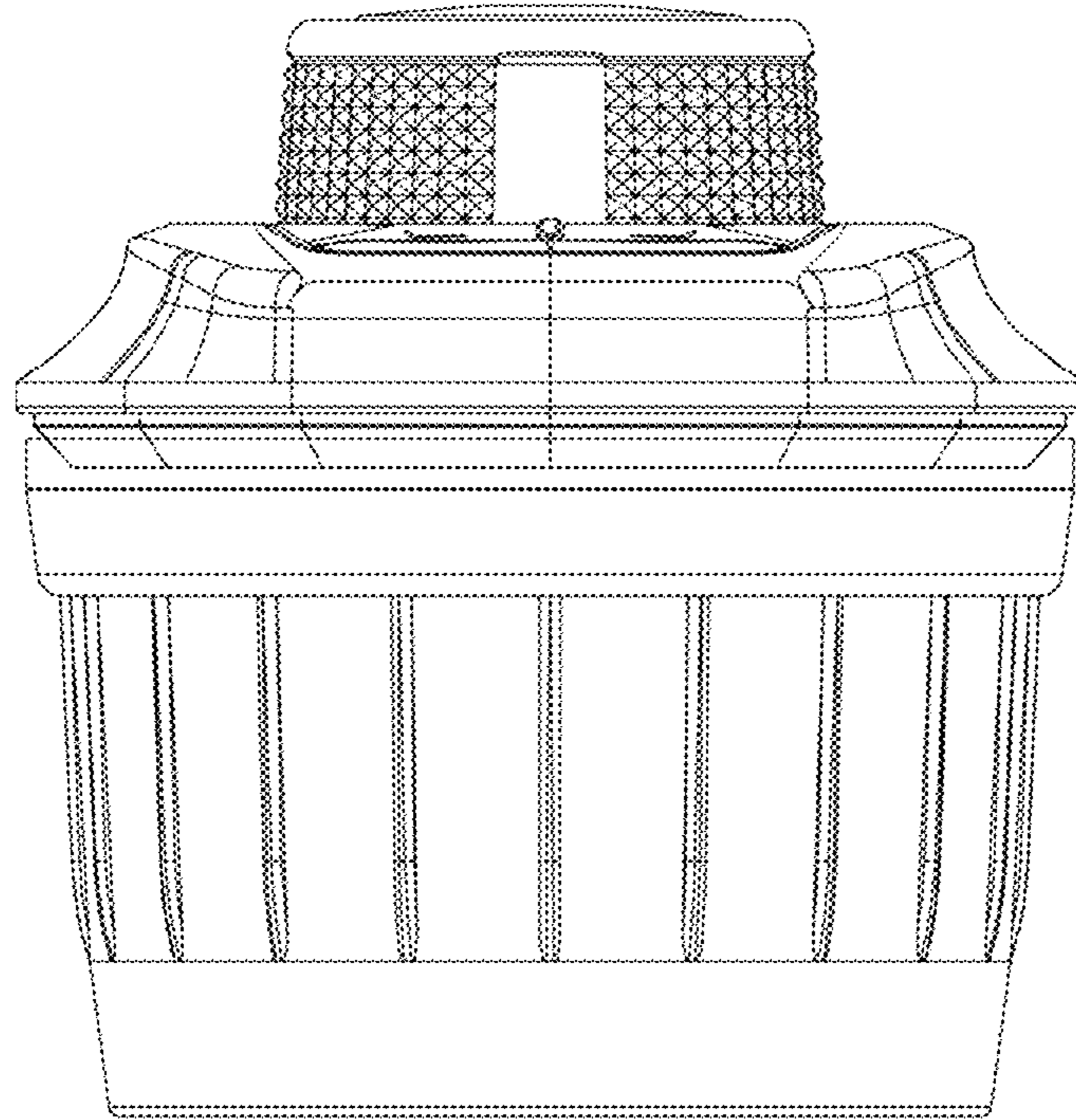


FIG.6



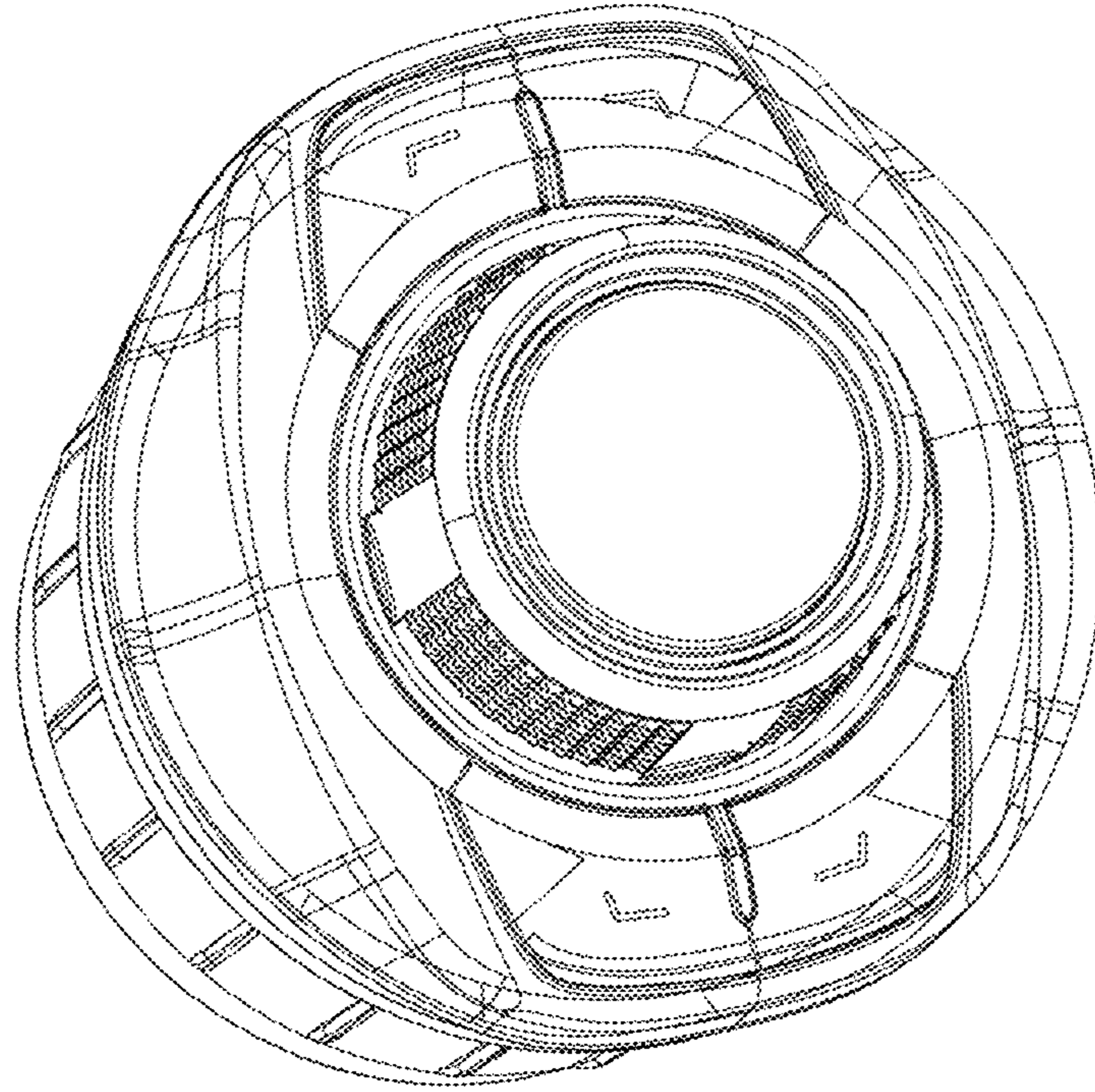


FIG.7