



US00D848380S

(12) **United States Design Patent**
Yasutomi

(10) **Patent No.:** **US D848,380 S**

(45) **Date of Patent:** **** May 14, 2019**

(54) **FOOT SWITCH**

(71) Applicant: **Terrada Music Score Co., Ltd.**, Tokyo (JP)

(72) Inventor: **Hiroshi Yasutomi**, Tokyo (JP)

(73) Assignee: **GVIDO MUSIC Co., Ltd.**, Tokyo (JP)

(**) Term: **15 Years**

(21) Appl. No.: **29/621,010**

(22) Filed: **Oct. 3, 2017**

(51) **LOC (11) Cl.** **13-03**

(52) **U.S. Cl.**

USPC **D13/167**

(58) **Field of Classification Search**

USPC D13/164, 167; D15/72; D17/20, 99;
D24/179

CPC .. G10H 1/0002; G10H 1/0008; G10H 1/0058;
G10H 1/0556; G10H 1/32; G10H 1/34;
G10H 1/344; G10H 1/46; G10H 1/348;
G10H 3/146; H01H 211/26; H01H 13/14;
H01H 13/16; G06F 3/0034

See application file for complete search history.

(56) **References Cited**

U.S. PATENT DOCUMENTS

D195,677 S *	7/1963	Collins, Jr.	D13/167
D244,214 S *	5/1977	Ross	D14/217
D244,215 S *	5/1977	Ross	D14/217
5,659,145 A *	8/1997	Weil	G10H 1/0008 84/464 R
D476,630 S *	7/2003	Moll	D13/167
D520,553 S *	5/2006	Bogdan	D13/167
D559,200 S *	1/2008	Schurg	D13/167
D589,460 S *	3/2009	Yang	D13/167
9,035,165 B2 *	5/2015	Cho	G10H 1/0008 84/746
D735,146 S *	7/2015	Sawada	D13/167

D768,091 S *	10/2016	Lewis	D13/167
D782,567 S *	3/2017	Faoro	D17/20
9,589,549 B1 *	3/2017	McKay, II	G10H 1/348
D790,482 S *	6/2017	Lazzaro	D13/167
D795,334 S *	8/2017	Kreifeldt	D17/20
9,767,780 B1 *	9/2017	Asbury	G10H 1/0558
D831,103 S *	10/2018	Trifilio	D17/20
2006/0156903 A1 *	7/2006	Baird	G10H 1/348 84/453
2008/0098873 A1 *	5/2008	Kitagawa	G10H 1/348 84/422.1
2008/0229914 A1 *	9/2008	Nathanial	G10H 1/348 84/644
2011/0030534 A1 *	2/2011	Ellis	G10H 1/348 84/426
2014/0216233 A1 *	8/2014	Zhonggang	G06F 3/02 84/486
2014/0290469 A1 *	10/2014	Michaud	G10H 1/0091 84/741

(Continued)

Primary Examiner — Selina Sikder

(74) *Attorney, Agent, or Firm* — Kilpatrick Townsend & Stockton LLP

(57) **CLAIM**

The ornamental design for a foot switch, as shown and described.

DESCRIPTION

FIG. 1 is a top front perspective view of a foot switch, showing my new design;

FIG. 2 is a bottom front perspective view thereof;

FIG. 3 is a top rear perspective view thereof;

FIG. 4 is a bottom rear perspective view thereof;

FIG. 5 is a front view thereof;

FIG. 6 is a rear view thereof;

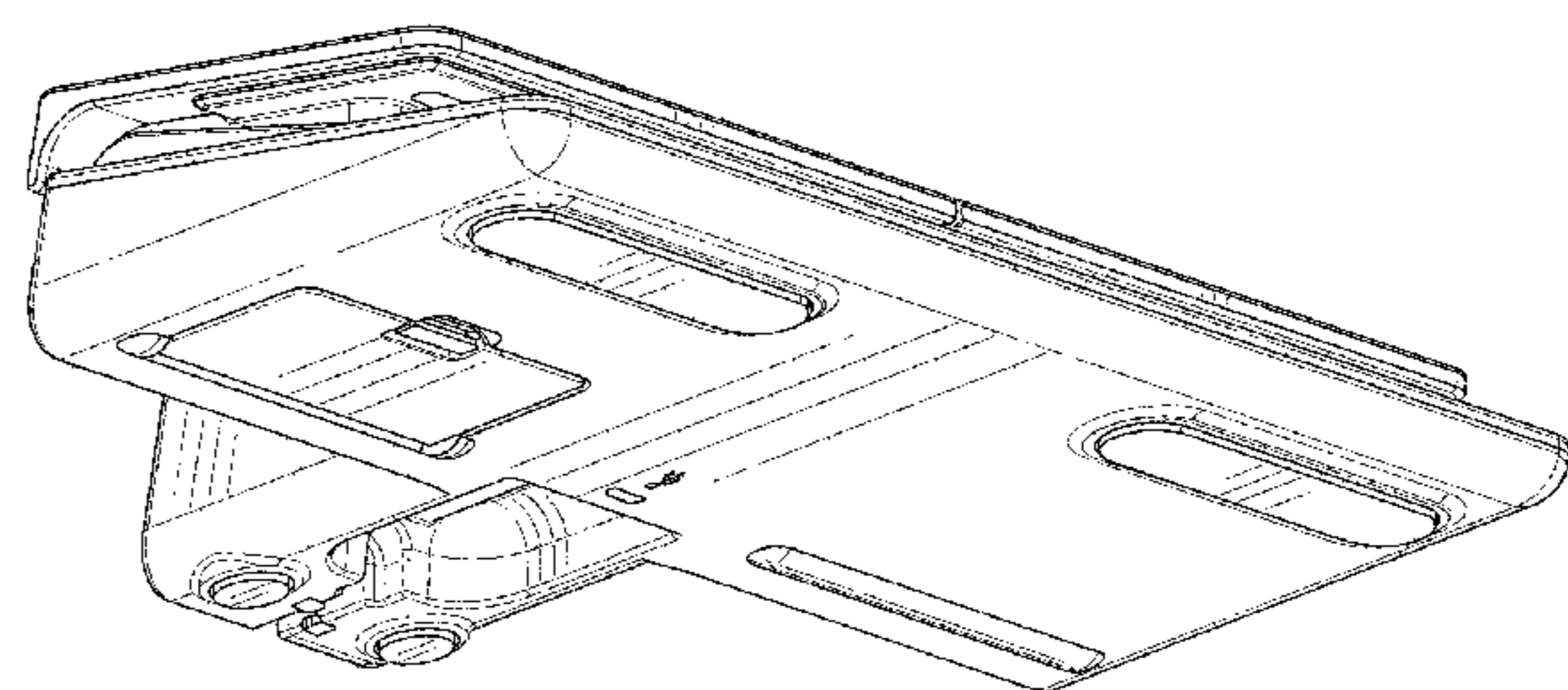
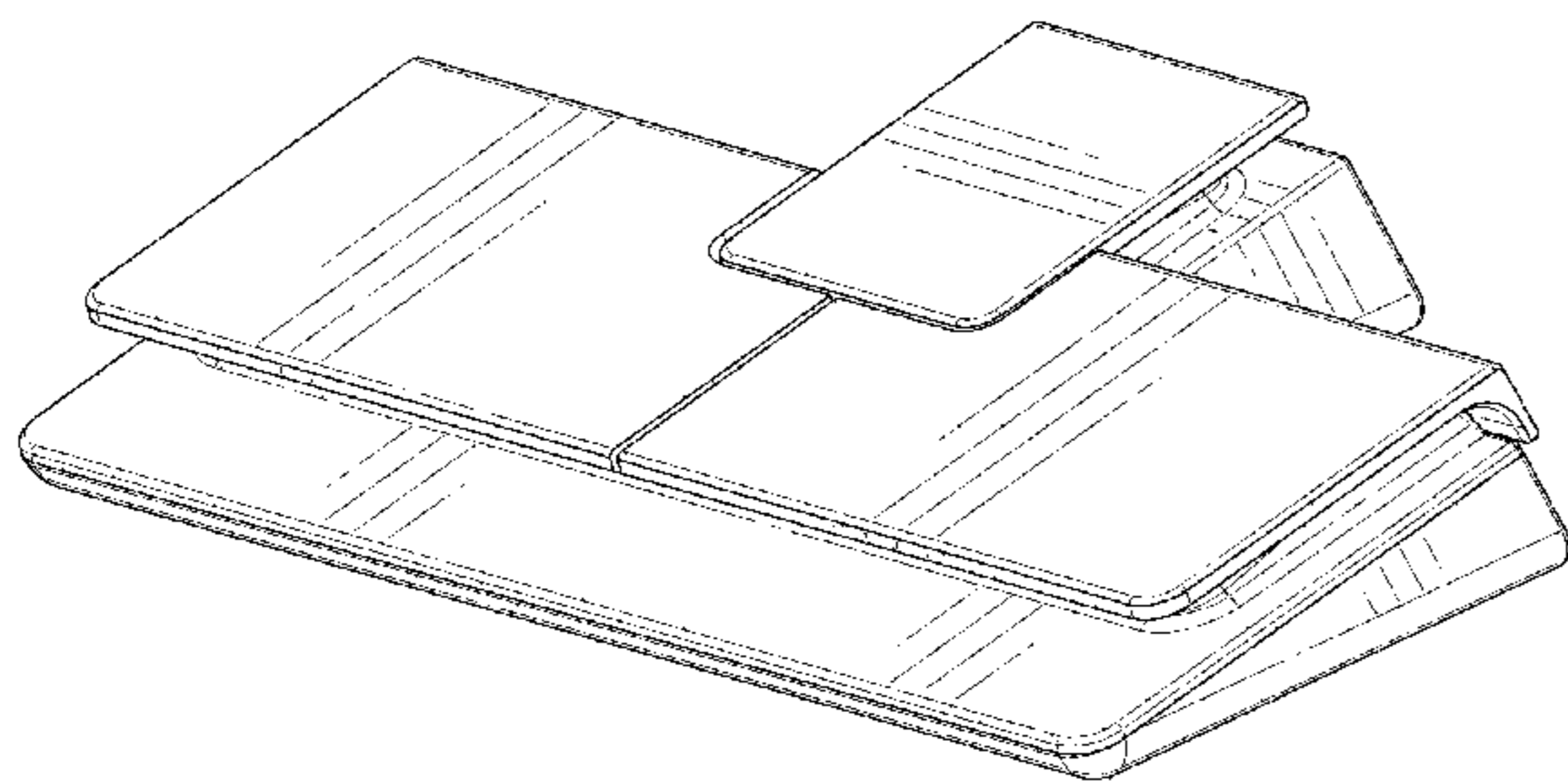
FIG. 7 is a left view thereof;

FIG. 8 is a right view thereof;

FIG. 9 is a top view thereof; and,

FIG. 10 is a bottom view thereof.

1 Claim, 10 Drawing Sheets



(56)

References Cited

U.S. PATENT DOCUMENTS

2015/0090096 A1* 4/2015 Krumwiede G10D 1/08
84/317
2015/0371622 A1* 12/2015 Beaty G10H 1/46
84/633
2016/0012806 A1* 1/2016 Mori G10D 13/006
84/746
2016/0258574 A1* 9/2016 Abbate G10H 1/32
2017/0140744 A1* 5/2017 Kreifeldt G10H 1/348
2018/0197515 A1* 7/2018 Wenzloff G10H 1/348

* cited by examiner

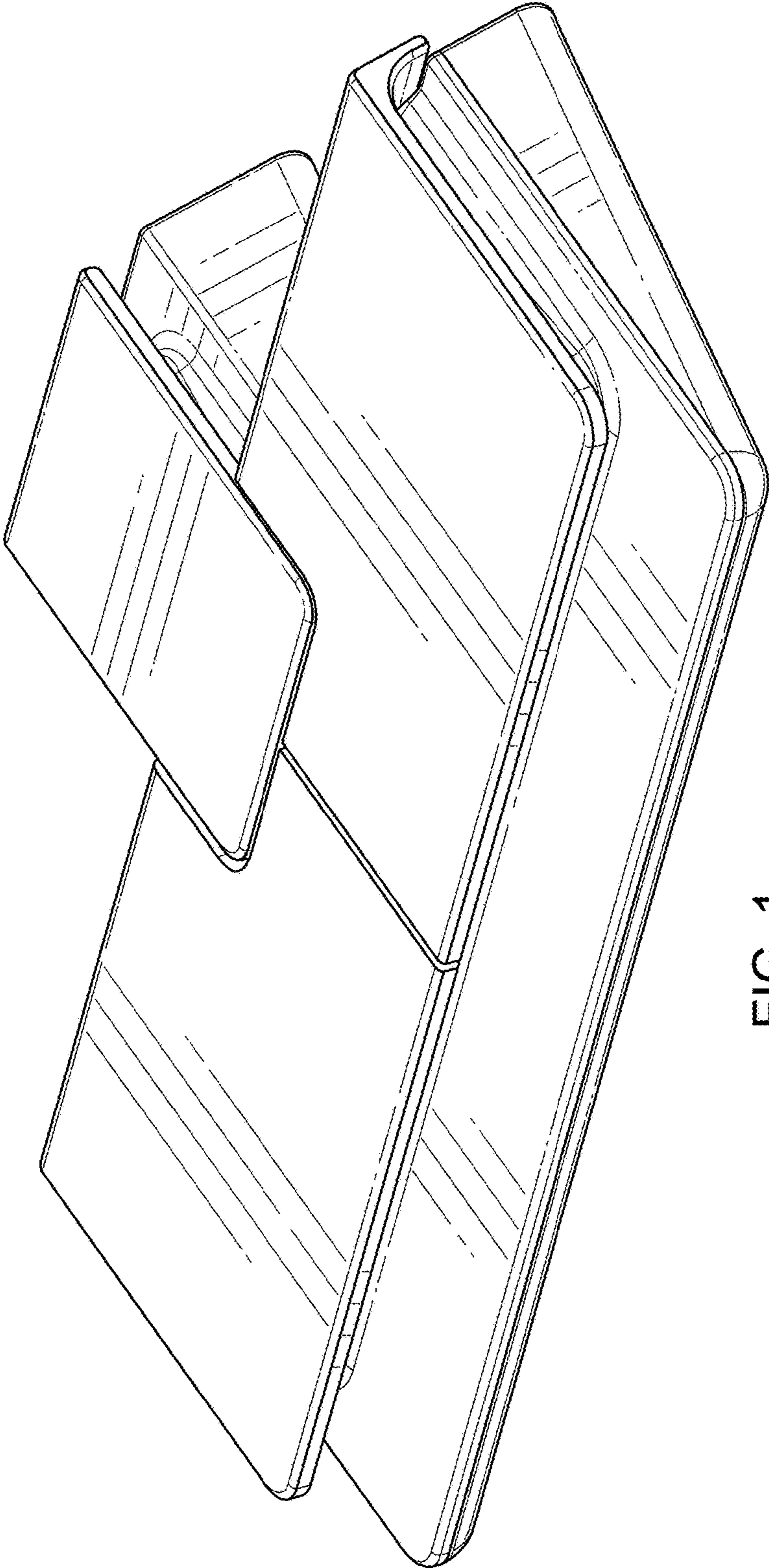


FIG. 1

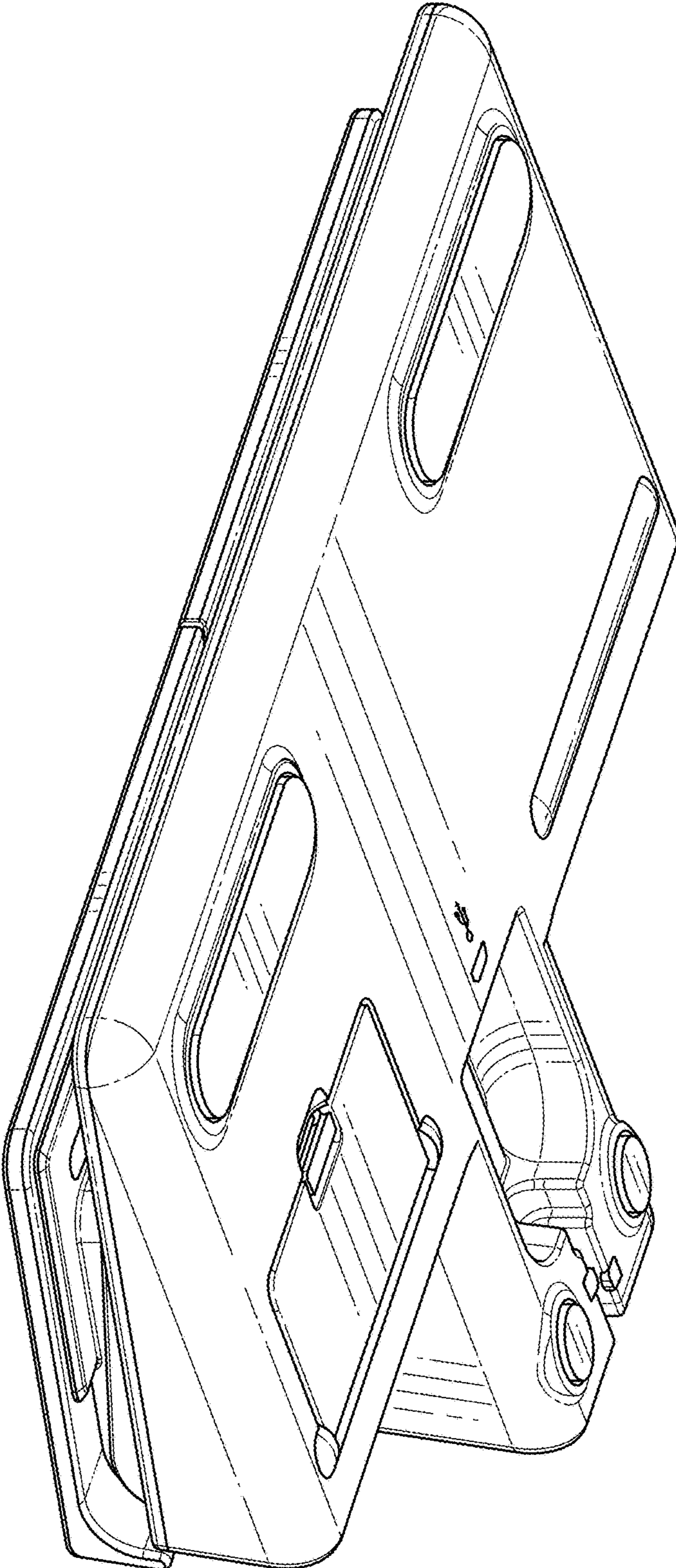


FIG. 2

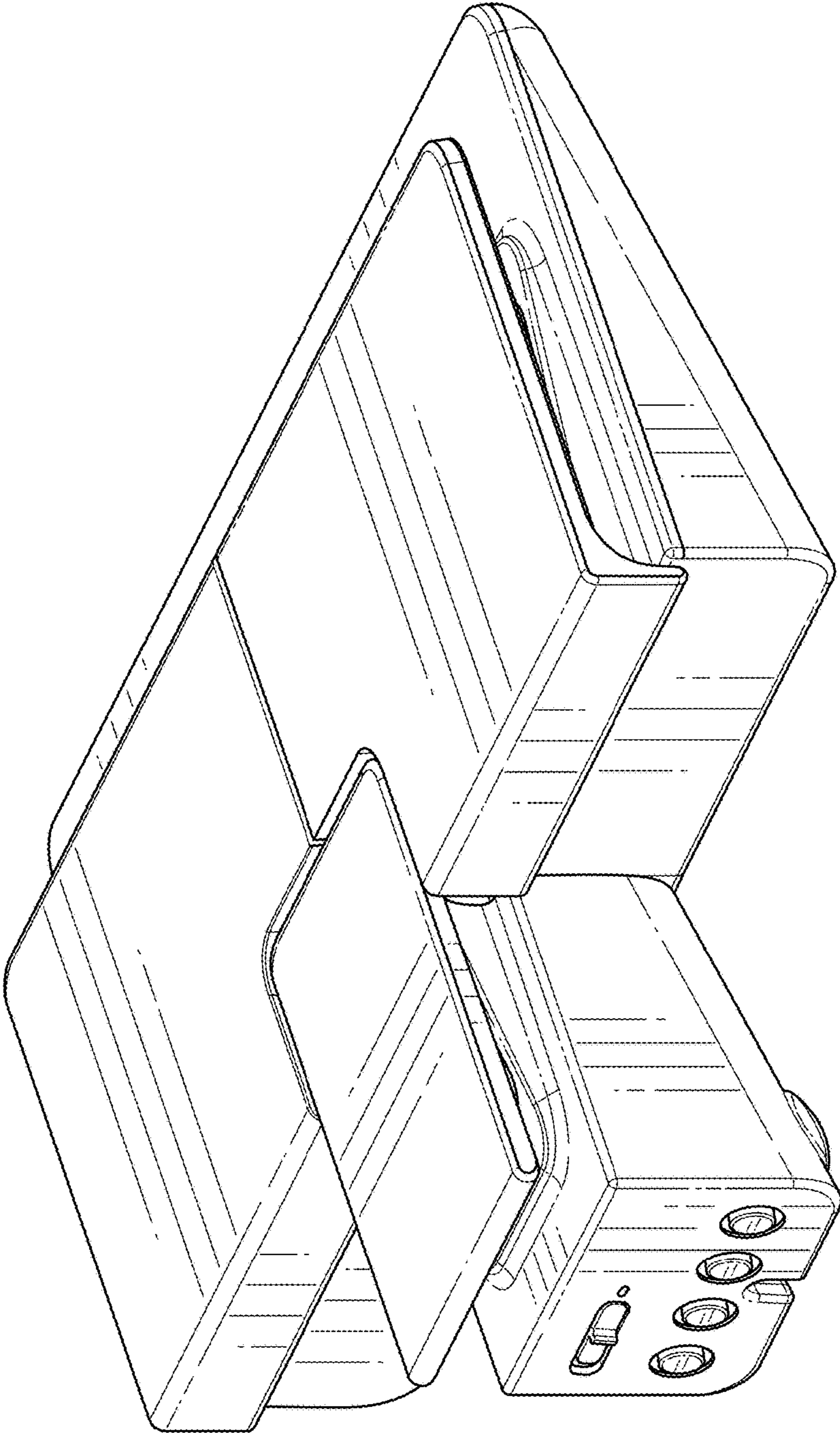


FIG. 3

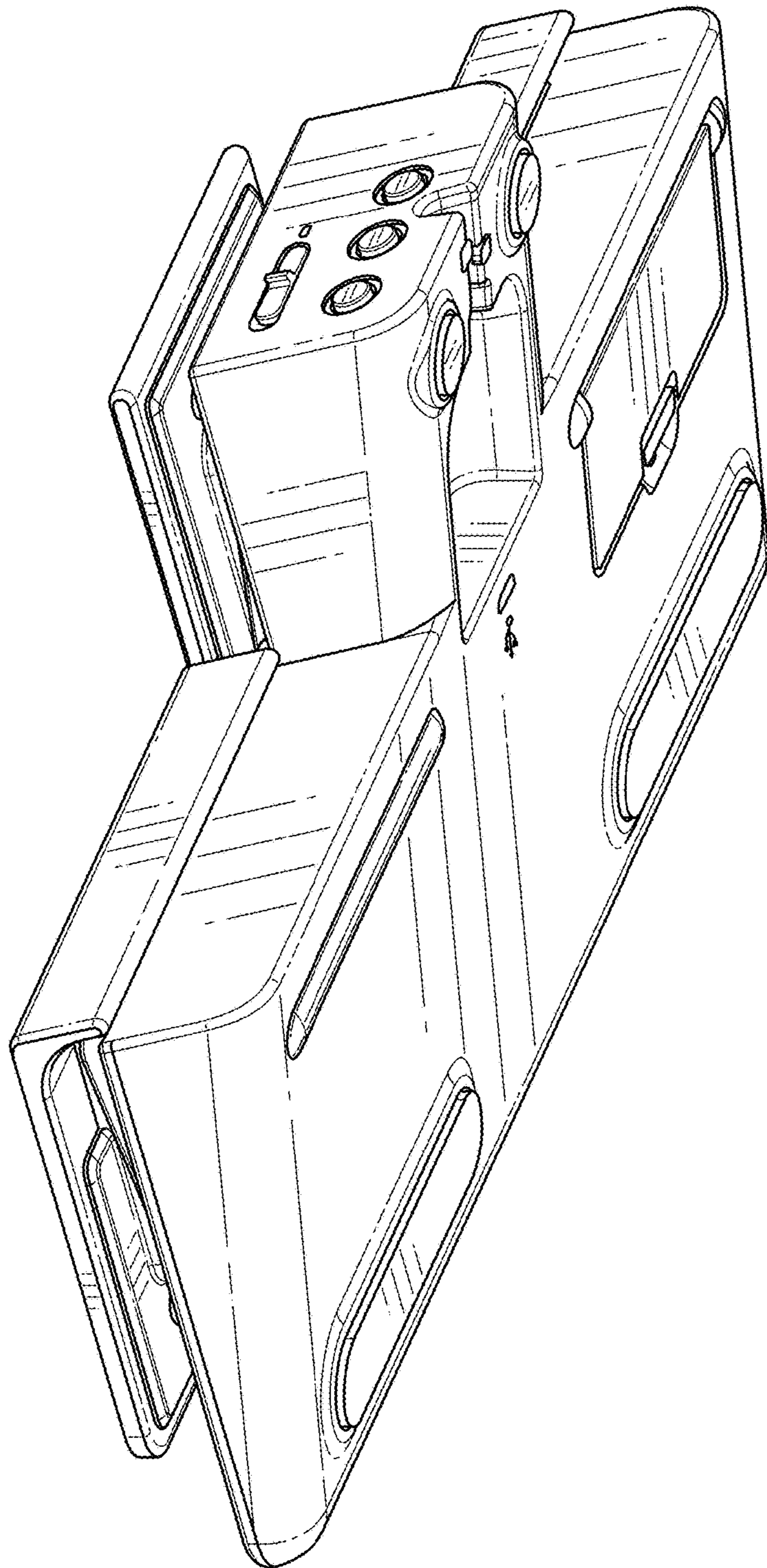


FIG. 4

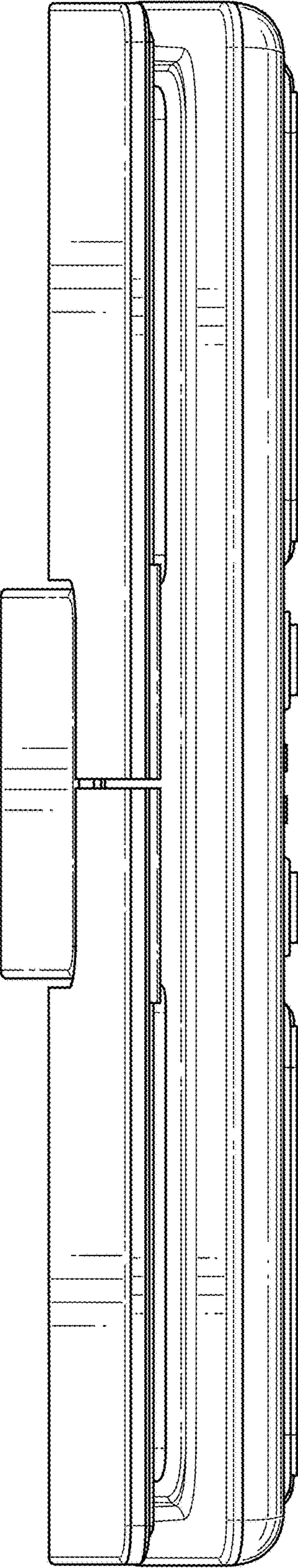


FIG. 5

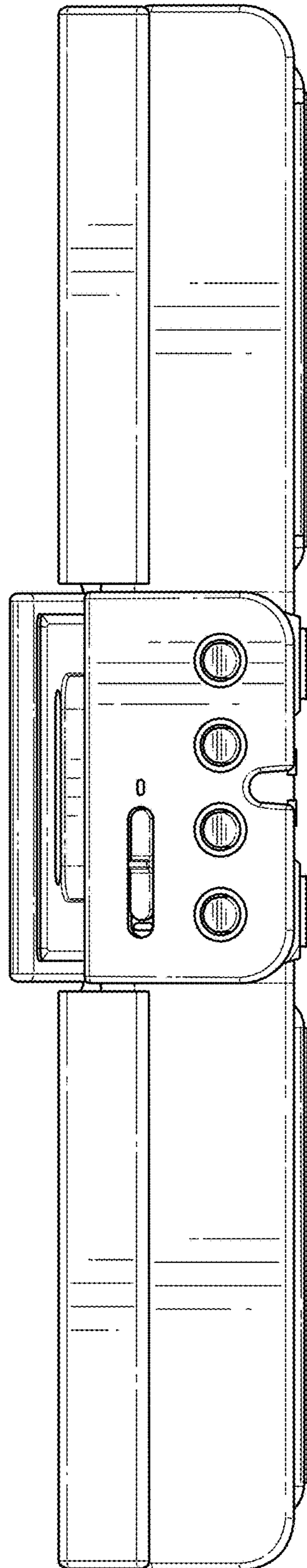


FIG. 6

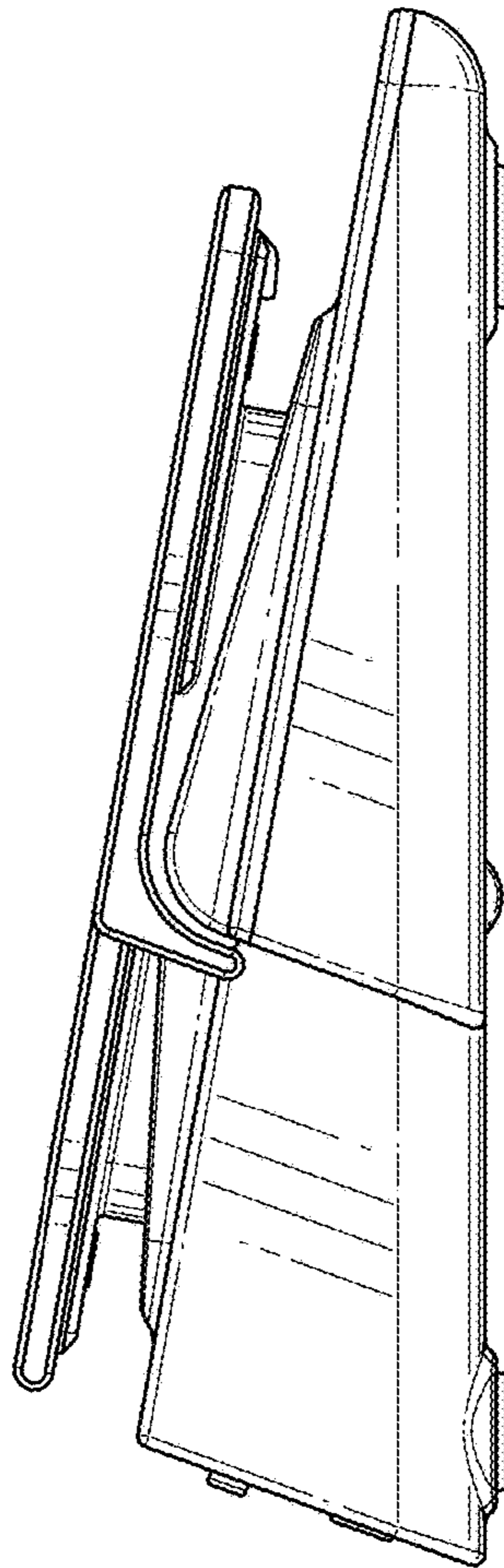


FIG. 7

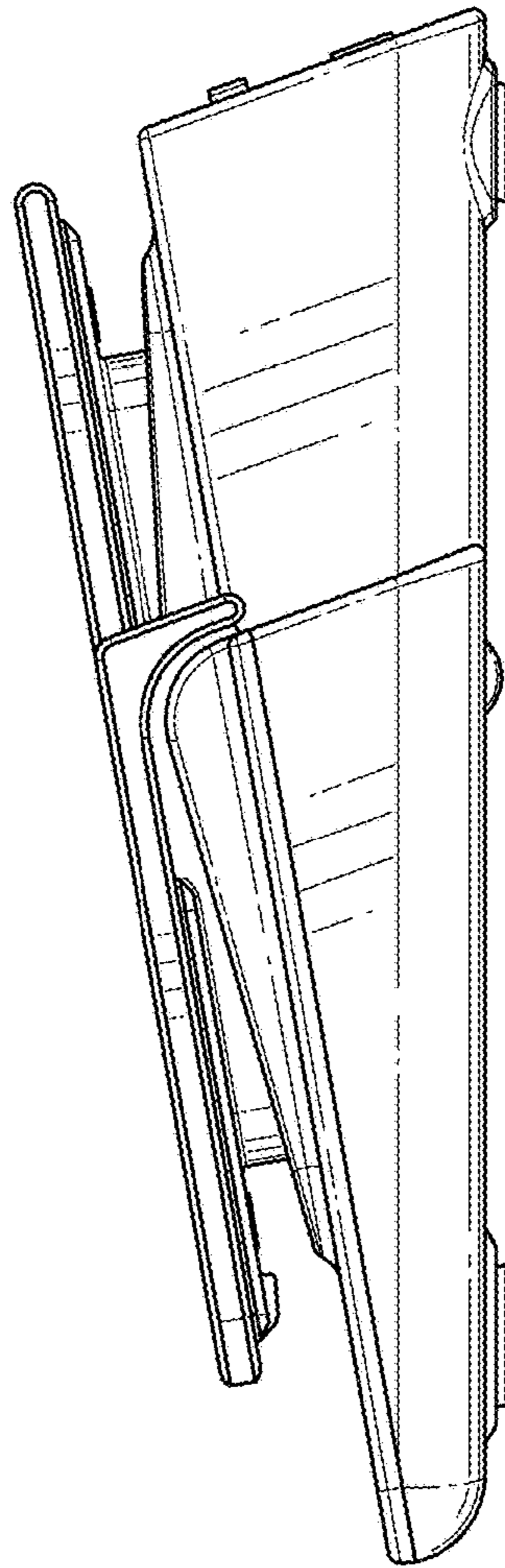


FIG. 8

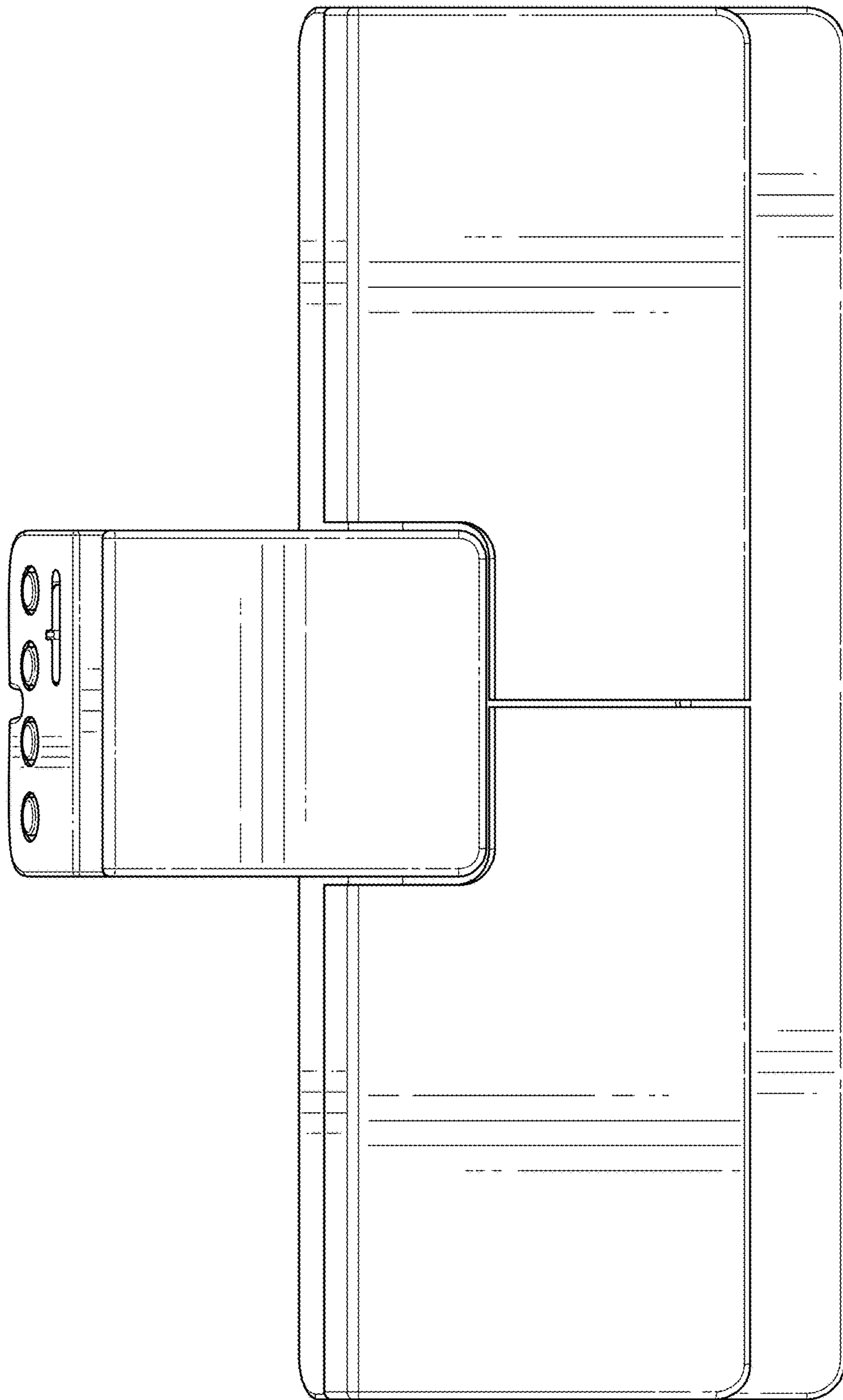


FIG. 9

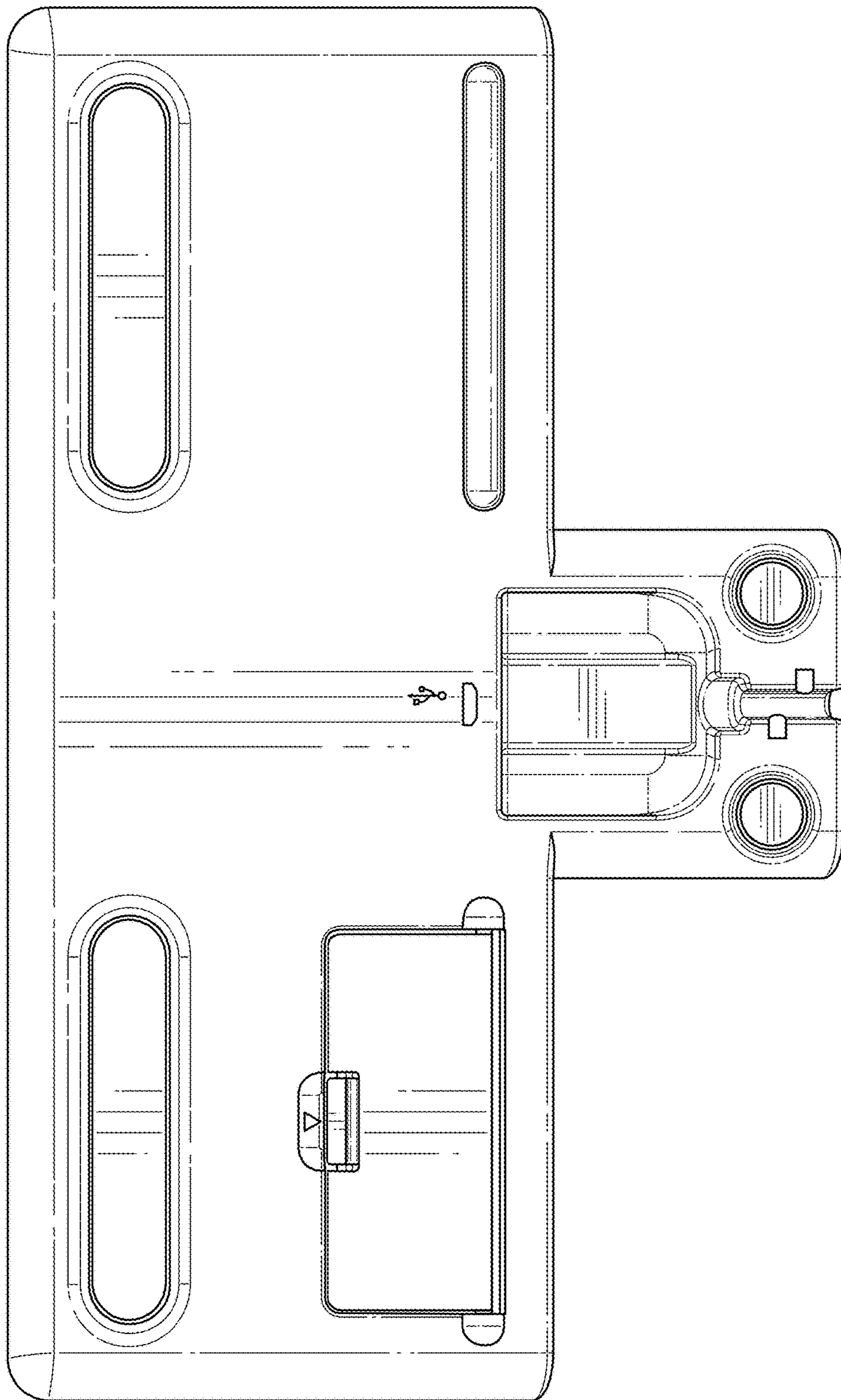


FIG. 10