



US00D848379S

(12) **United States Design Patent**  
**McKenny**

(10) **Patent No.:** **US D848,379 S**

(45) **Date of Patent:** **\*\* May 14, 2019**

(54) **SNAP-IN COVER FOR SINGLE AND DOUBLE GANG JUNCTION BOXES**

(71) Applicant: **Patrick Shannon McKenny**, Avon, CO (US)

(72) Inventor: **Patrick Shannon McKenny**, Avon, CO (US)

(\*\*) Term: **15 Years**

(21) Appl. No.: **29/575,769**

(22) Filed: **Aug. 29, 2016**

(51) **LOC (11) Cl.** ..... **13-03**

(52) **U.S. Cl.**  
USPC ..... **D13/156**

(58) **Field of Classification Search**

USPC ..... D13/110, 123, 133, 137.1, 139.1, 139.4, D13/152, 154, 155, 156, 158, 162, 164, D13/169, 173, 177, 184; D8/349-351, D8/353; 174/67, 66; D26/26, 51, 85  
CPC ..... H01R 13/447; H01R 13/6395; H01R 13/639; H01R 13/6397; H02G 3/10; H02G 3/12; H01H 9/182; H01H 2219/006; H01H 2219/044

See application file for complete search history.

(56) **References Cited**

**U.S. PATENT DOCUMENTS**

1,540,330 A \* 6/1925 Hartmann ..... H02B 1/42 174/58  
2,788,151 A \* 4/1957 Shore ..... H02G 3/121 220/3.4  
2,815,144 A \* 12/1957 Kullander ..... H02G 3/125 174/481  
3,061,083 A \* 10/1962 Hubbell, Jr. .... H02G 3/14 174/50  
3,601,276 A \* 8/1971 Culpepper ..... H02G 3/14 220/3.4

4,263,472 A \* 4/1981 Maheu ..... H02G 3/126 174/51  
4,907,711 A 3/1990 Stuchlik, III ..... 220/3.8  
5,525,755 A 6/1996 Christensen ..... 174/67  
5,526,952 A 6/1996 Green ..... 220/3.8  
5,562,222 A 10/1996 Jordan et al. .... 220/3.8  
5,639,991 A 6/1997 Schuette ..... 174/58

(Continued)

*Primary Examiner* — Derrick E Holland

*Assistant Examiner* — Jennifer O King

(74) *Attorney, Agent, or Firm* — Endurance Law Group PLC

(57) **CLAIM**

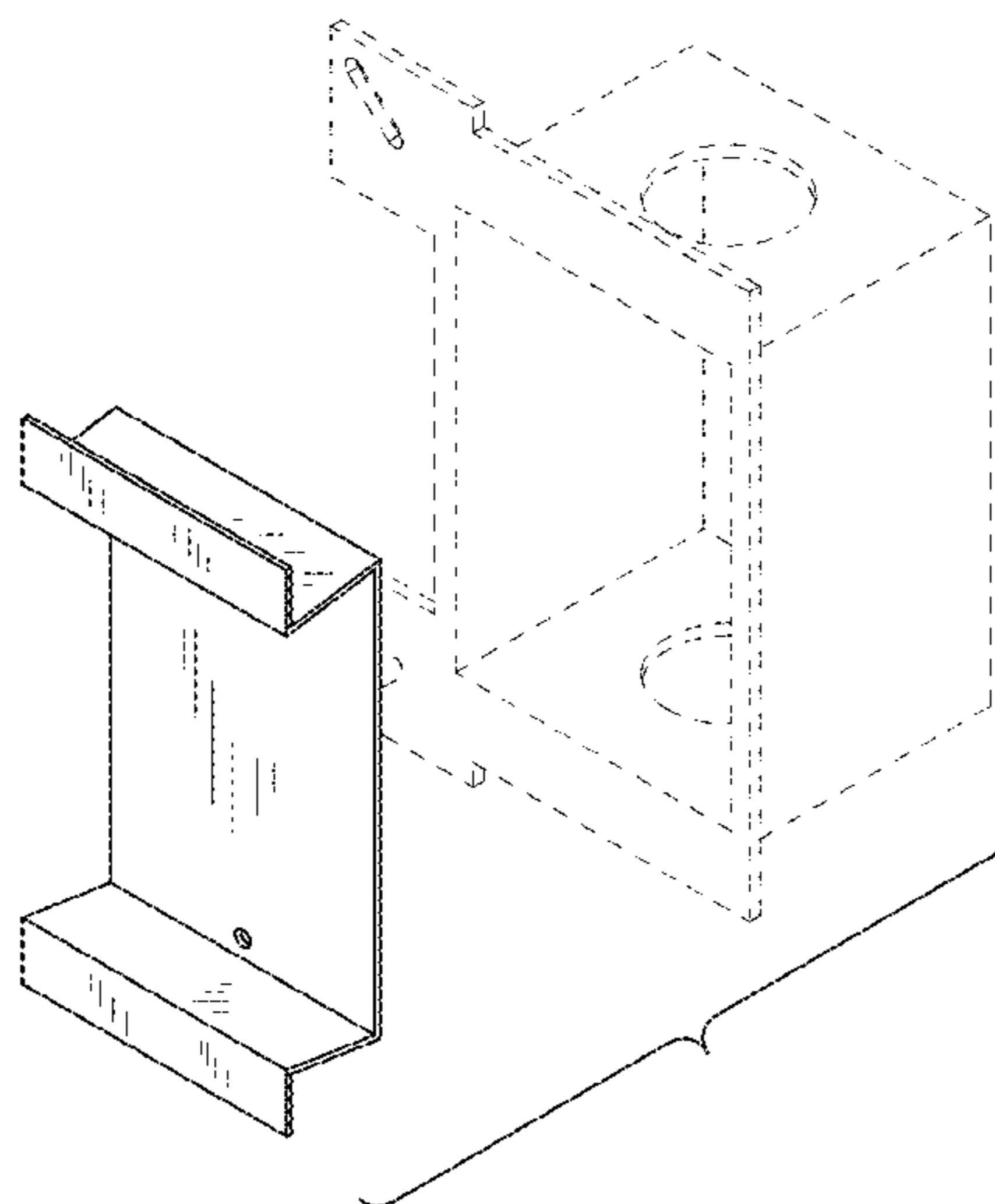
The ornamental design for a snap-in cover for single and double gang junction boxes, as shown and described.

**DESCRIPTION**

FIG. 1 is an exploded perspective view of a snap-in cover for single and double gang junction boxes;  
FIG. 2 is a perspective view thereof, shown in use;  
FIG. 3 is a perspective view thereof;  
FIG. 4 is a front view thereof;  
FIG. 5 is a back view thereof;  
FIG. 6 is a right side view thereof;  
FIG. 7 is a top view thereof;  
FIG. 8 is an exploded view of a second embodiment thereof;  
FIG. 9 is perspective view thereof, shown in use;  
FIG. 10 is perspective view thereof;  
FIG. 11 is a front view thereof;  
FIG. 12 is a back view thereof;  
FIG. 13 is a right side view thereof;  
FIG. 14 is a top view thereof;  
FIG. 15 is a perspective view of a third embodiment thereof;  
and,  
FIG. 16 is a perspective view of a fourth embodiment thereof.

The broken lines shown represent junction boxes and form no part of the claimed design.

**1 Claim, 14 Drawing Sheets**



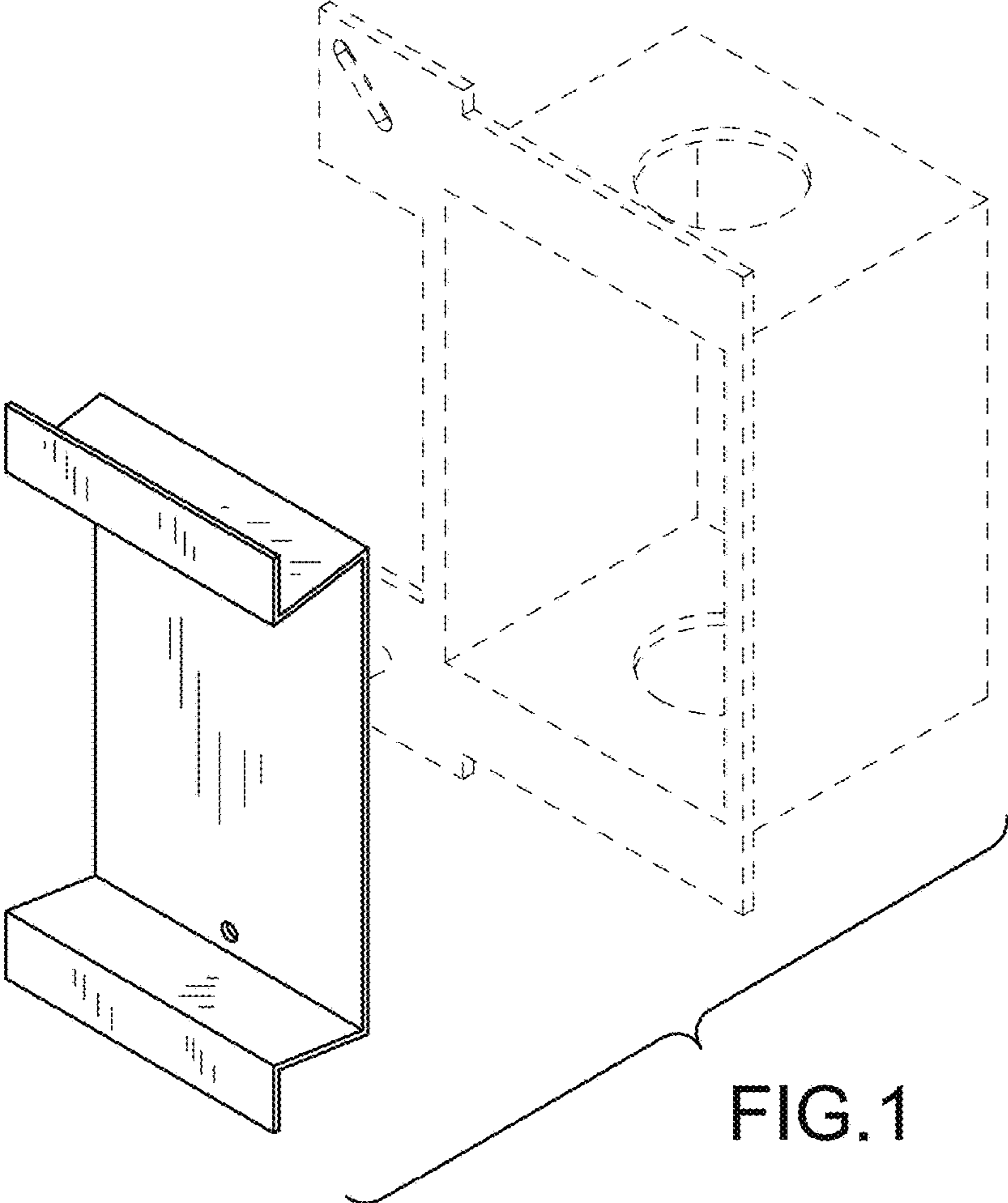
(56)

**References Cited**

## U.S. PATENT DOCUMENTS

5,710,392	A	1/1998	Bordwell et al.	174/50
6,166,329	A	12/2000	Oliver et al.	174/58
6,369,322	B1 *	4/2002	Gretz	H02G 3/121 174/50
6,511,269	B1 *	1/2003	Smasne	H02G 3/12 144/371
6,538,202	B1	3/2003	Shaffer et al.	174/66
6,686,540	B2	2/2004	Compagnone, Jr.	174/58
6,710,245	B2 *	3/2004	Roesch	H02G 3/086 174/50
6,867,369	B2	3/2005	Wiggins	174/58
6,906,260	B2 *	6/2005	Grendahl	H02G 3/12 174/58
7,432,444	B1	10/2008	McCusker	174/66
8,110,742	B2	2/2012	Compagnone, Jr.	174/66
8,119,911	B1	2/2012	Waller	174/66
8,261,926	B2	9/2012	Bradley et al.	220/241
8,445,780	B1 *	5/2013	Robins	H02G 3/14 174/481
8,772,649	B1 *	7/2014	Gretz	H02G 3/14 174/480
9,326,056	B2 *	4/2016	Neujahr	H04R 1/025
2008/0236859	A1	10/2008	de la Borbolla	174/66

\* cited by examiner



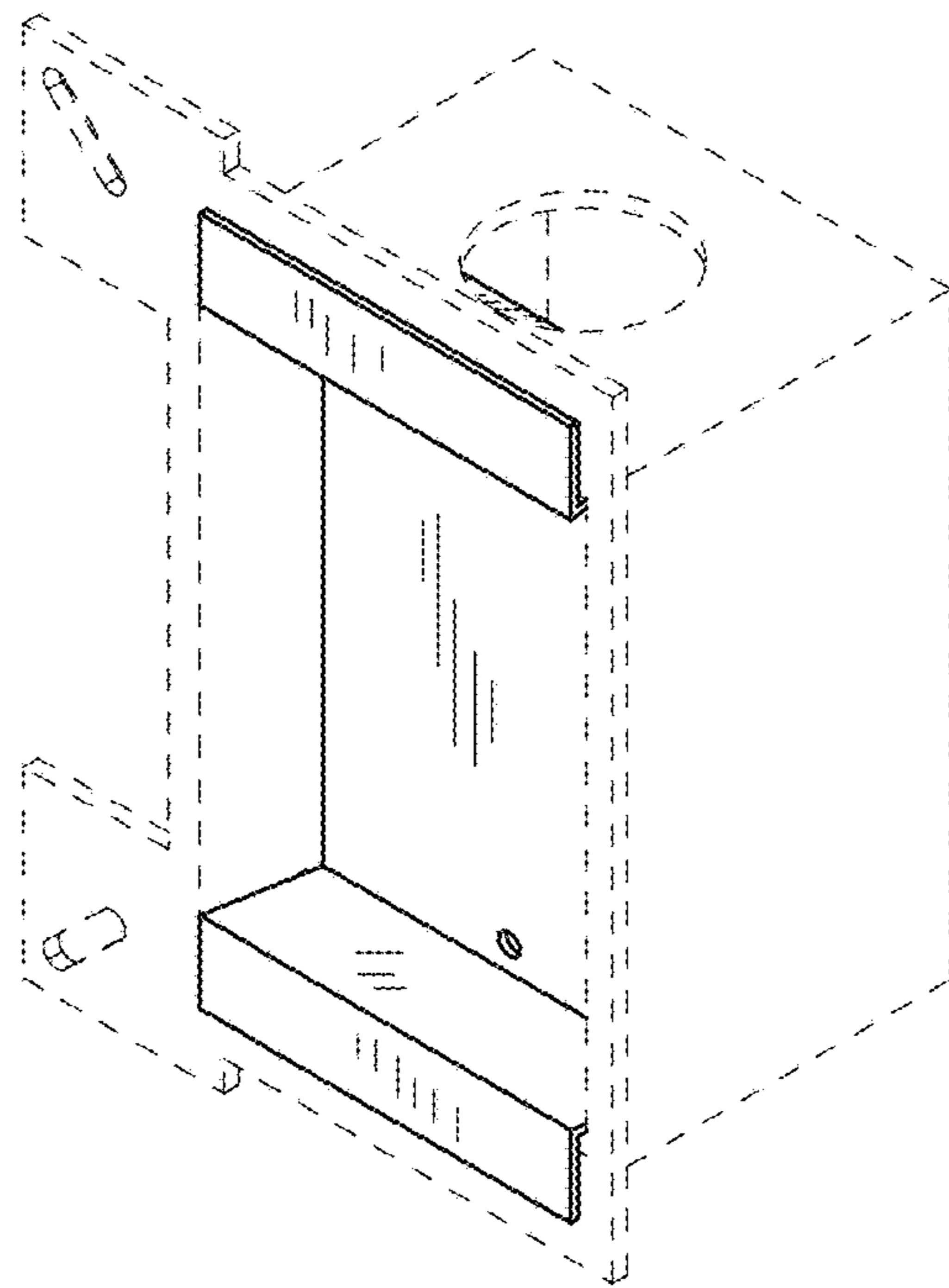


FIG.2

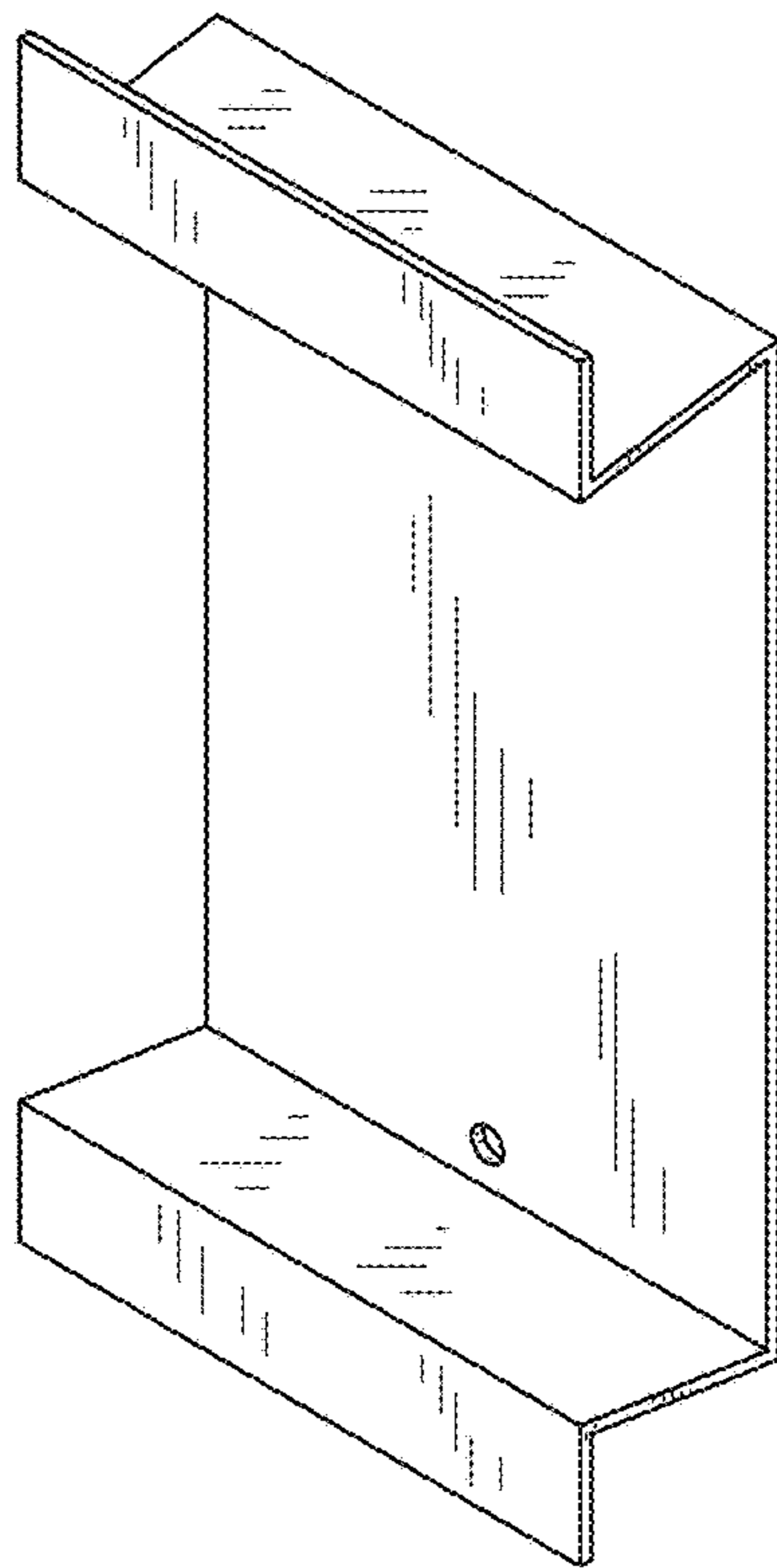


FIG.3

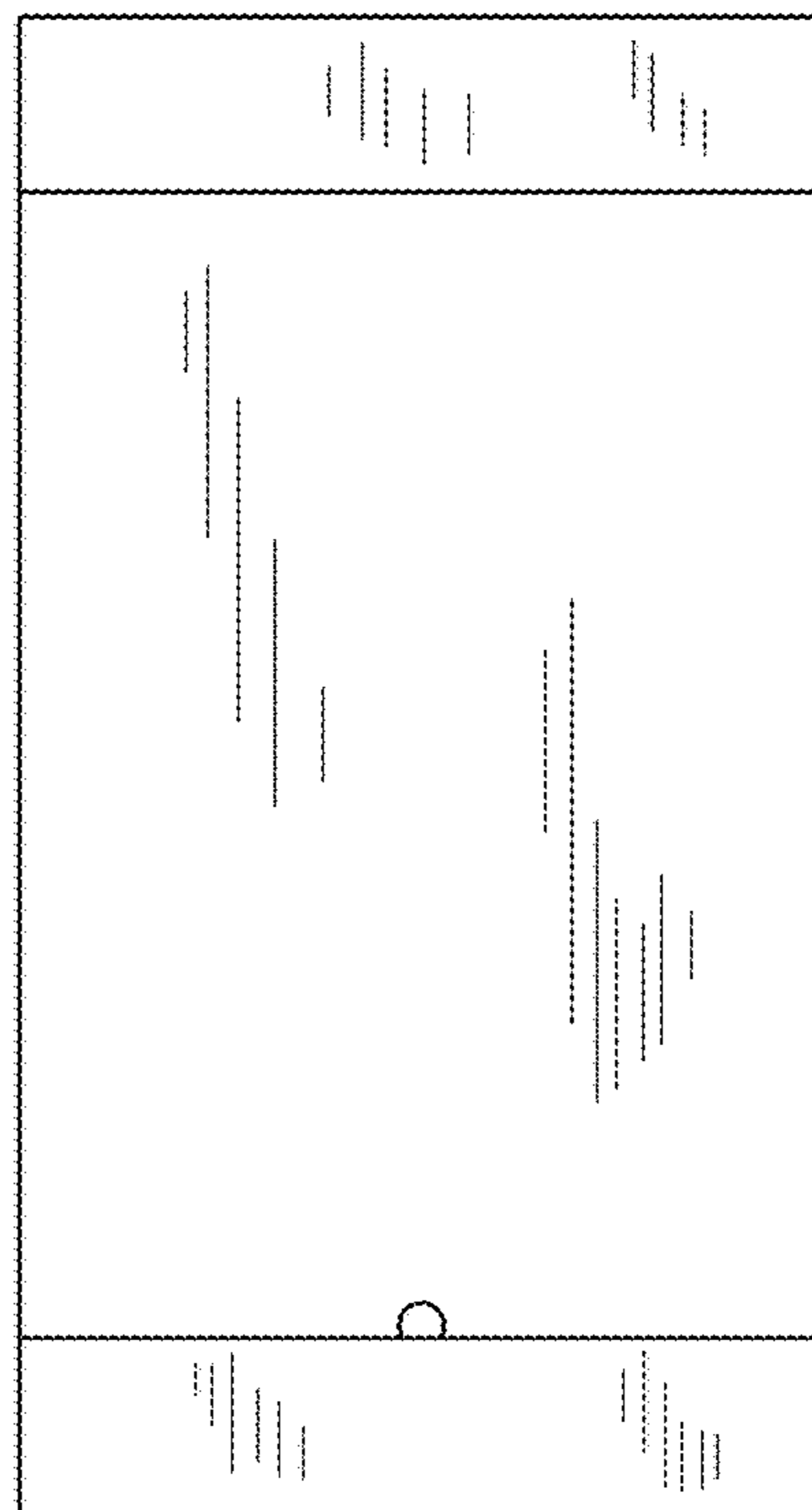


FIG.4

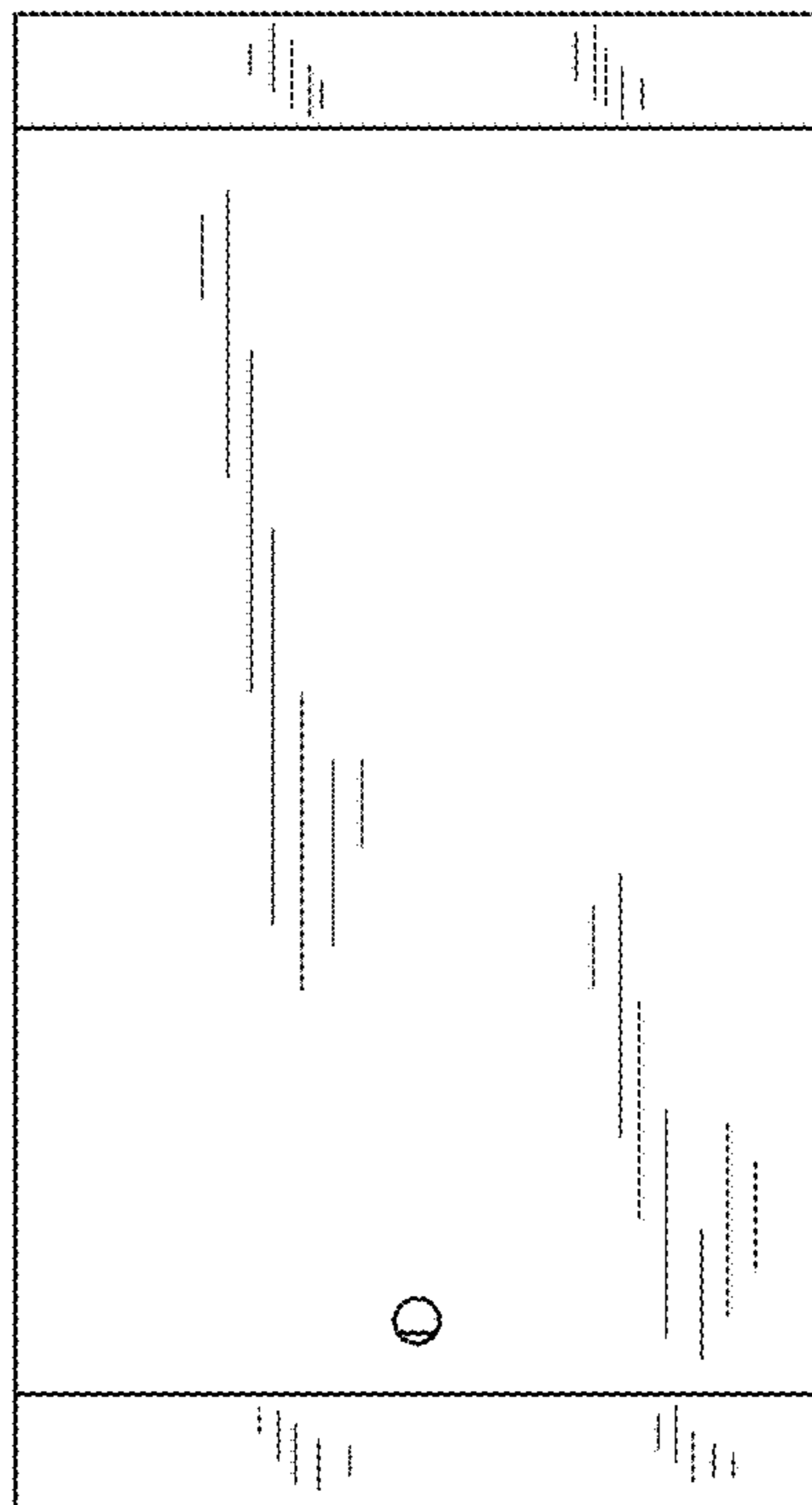


FIG.5

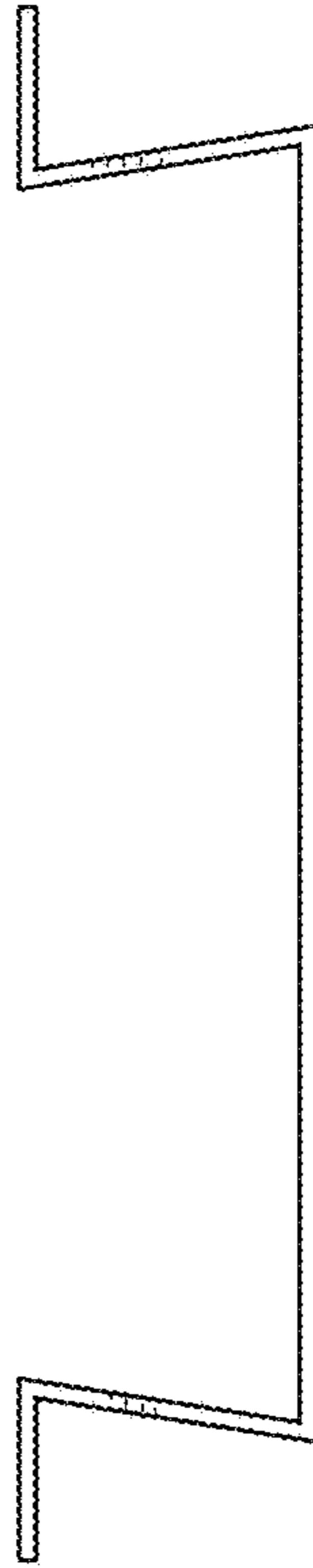


FIG. 6

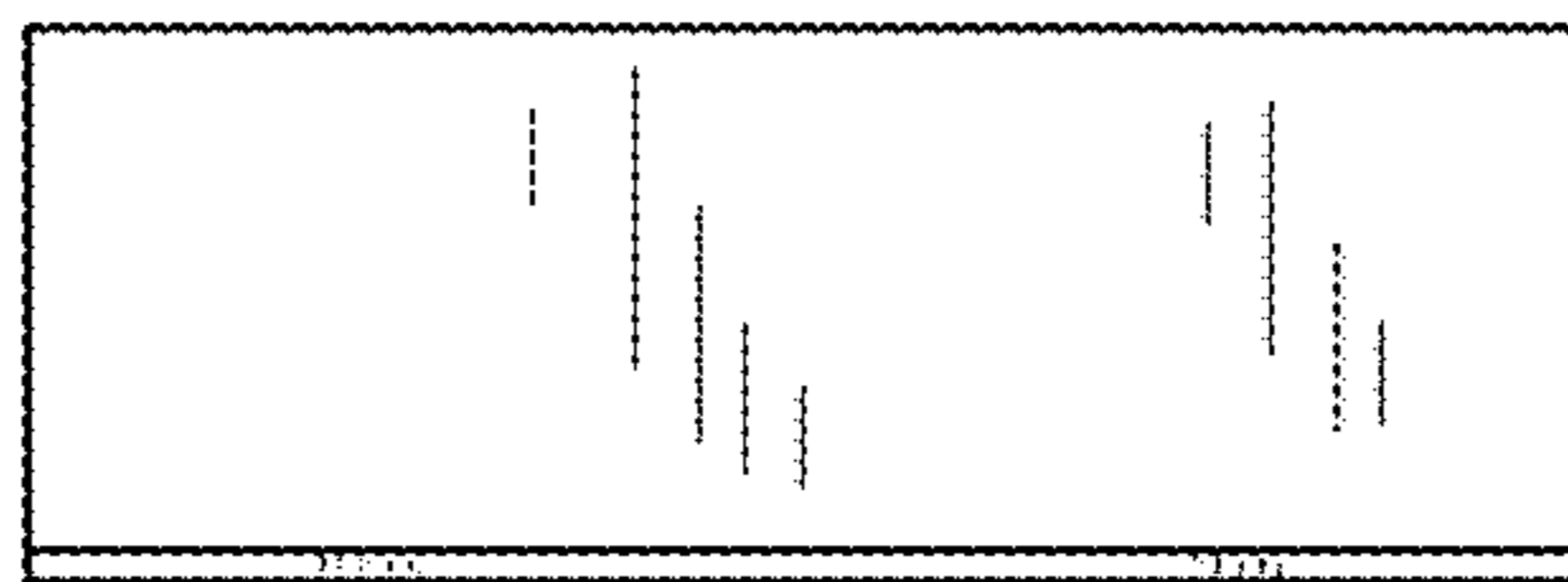
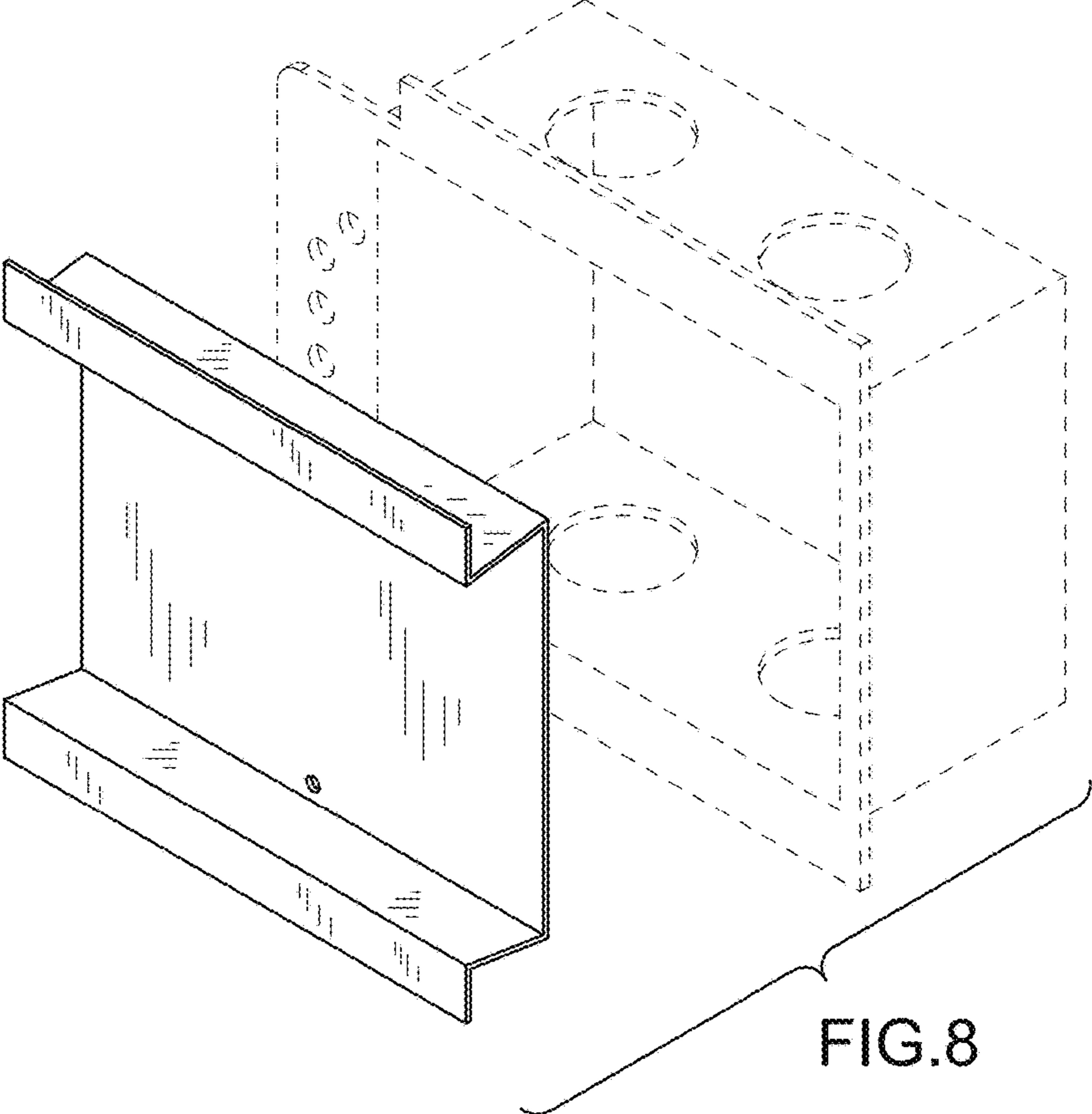


FIG. 7





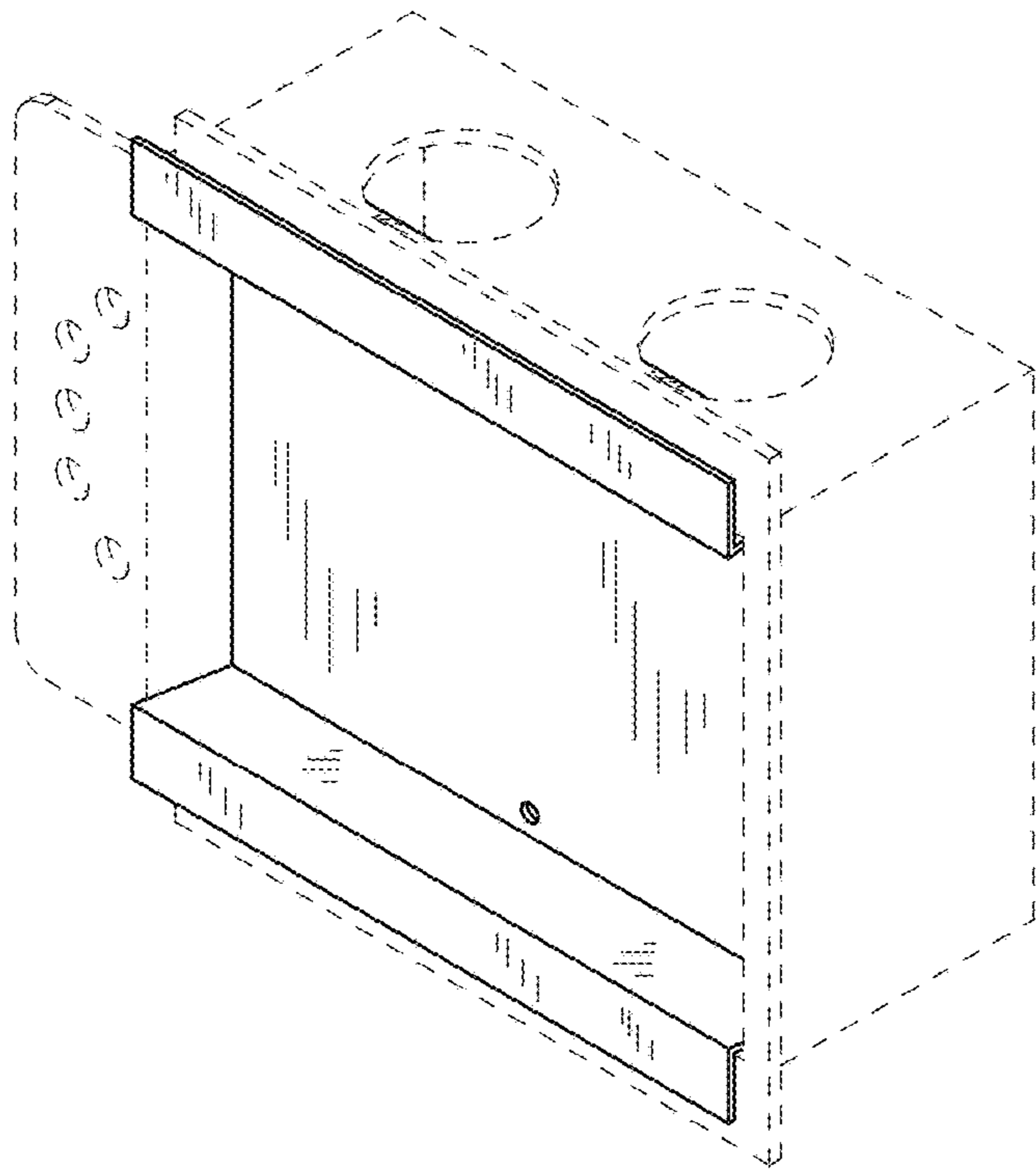


FIG.9

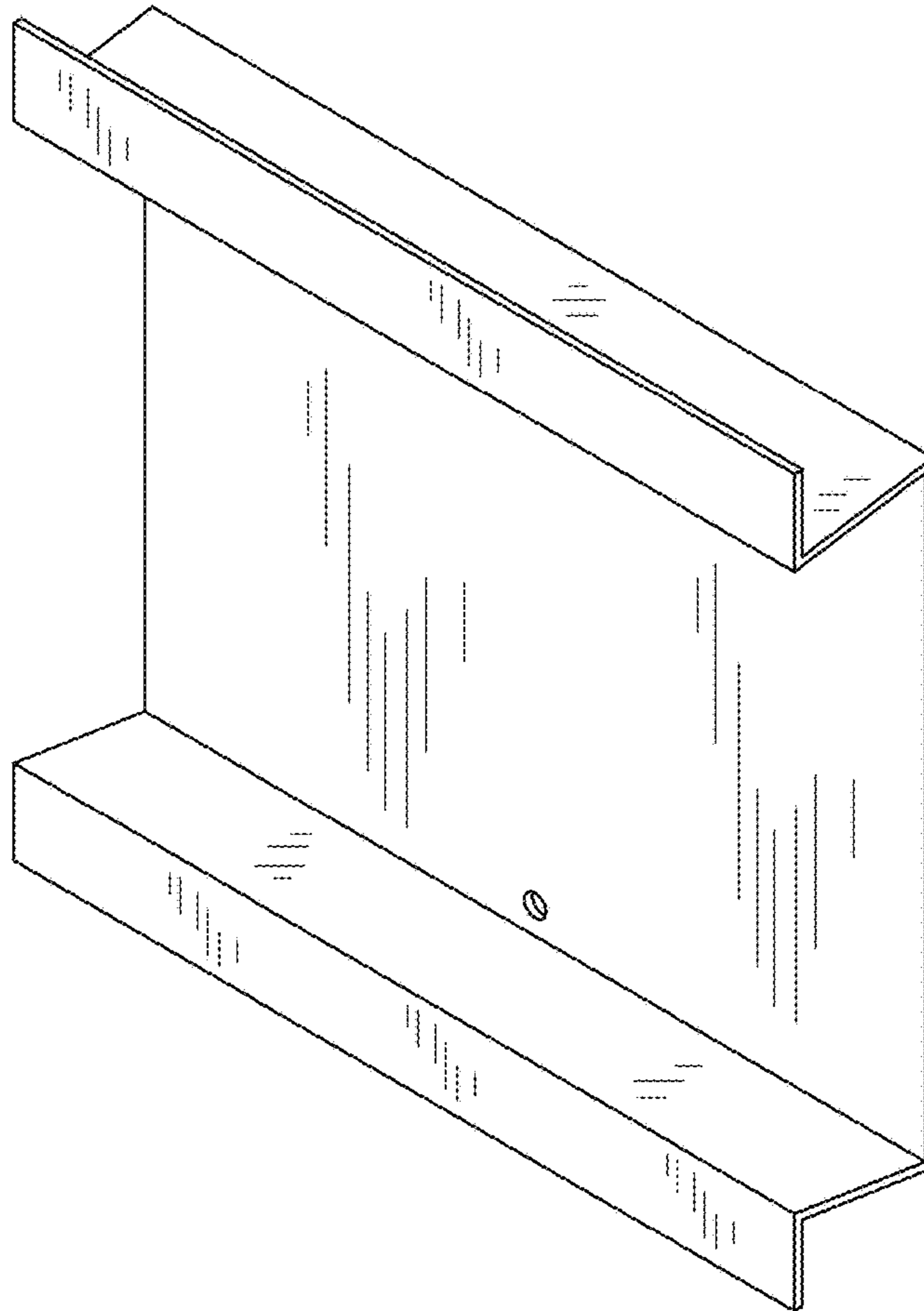


FIG.10

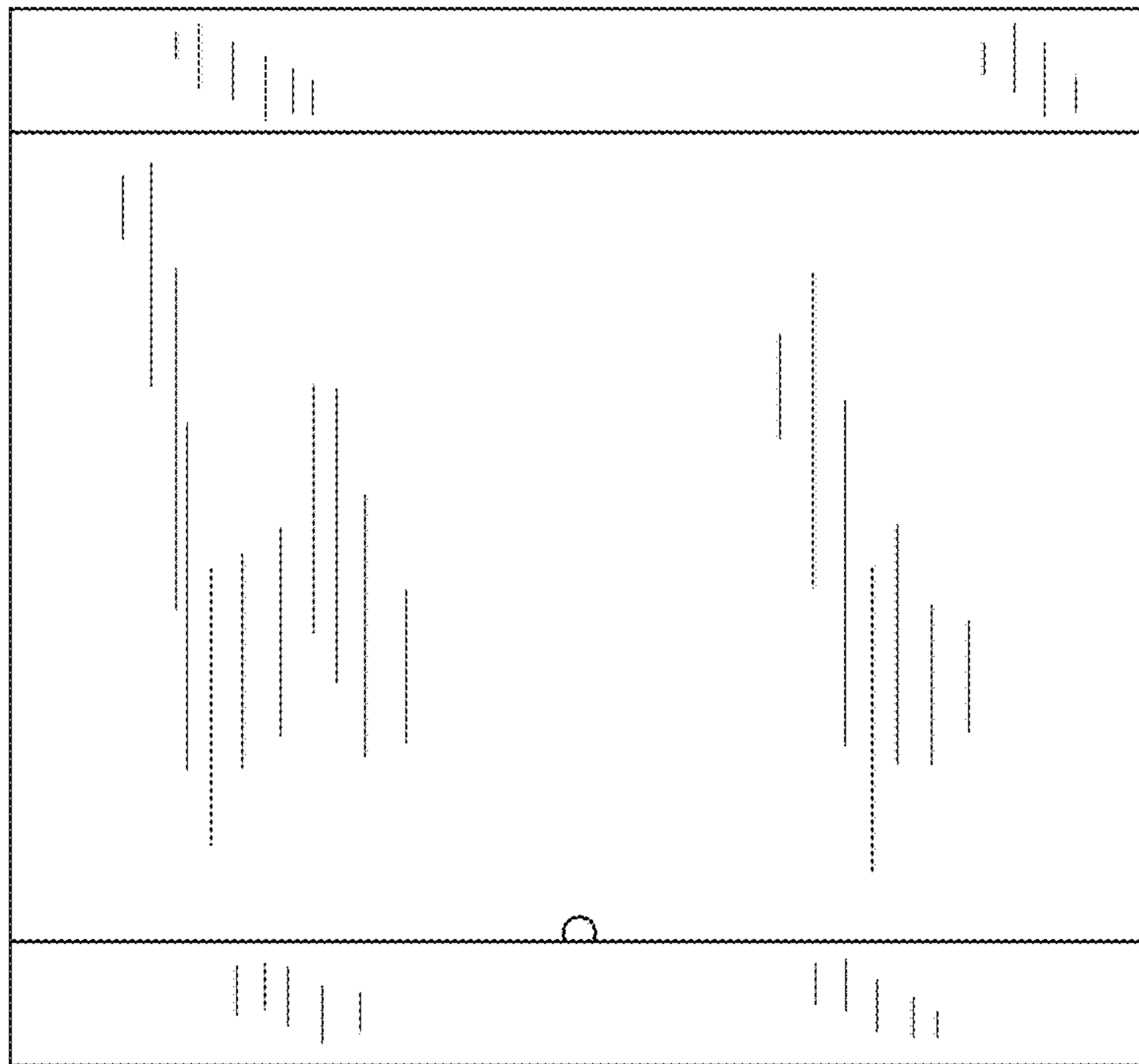


FIG. 11

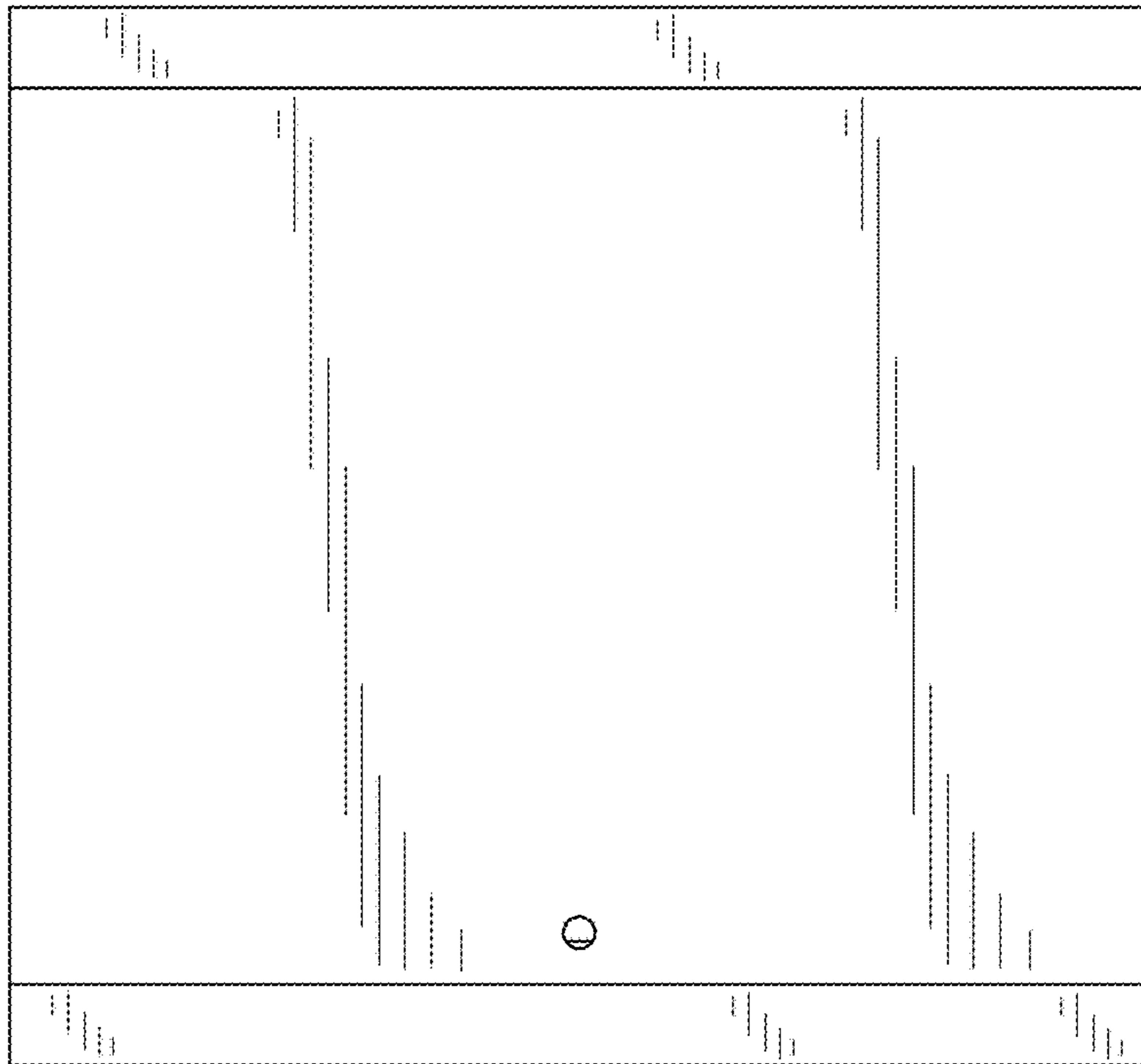


FIG.12



FIG.13

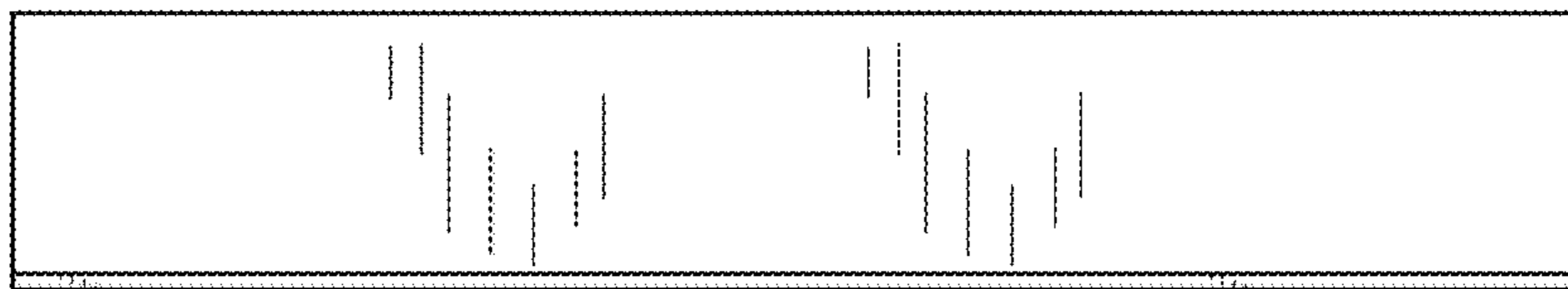


FIG.14

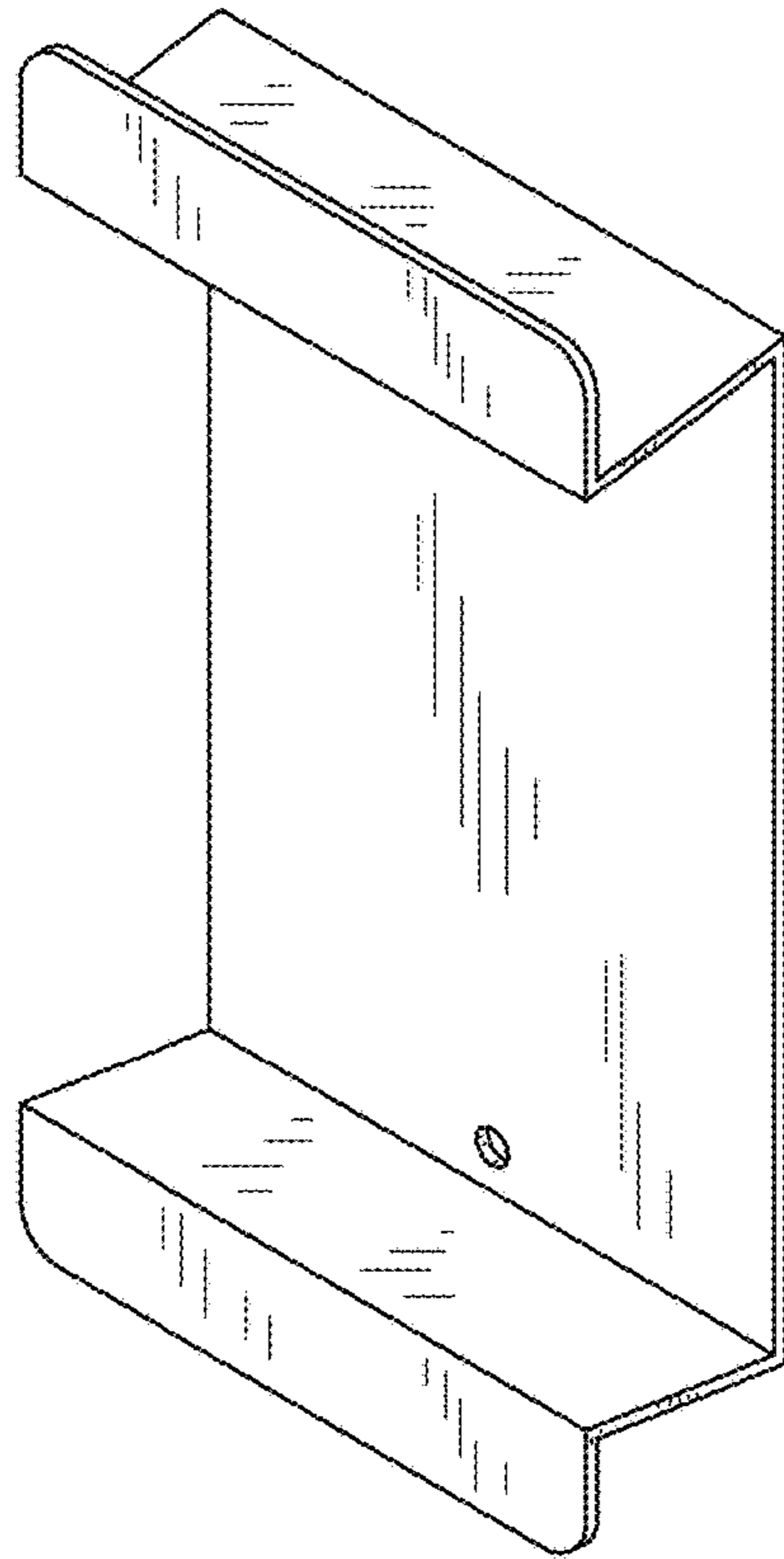


FIG.15

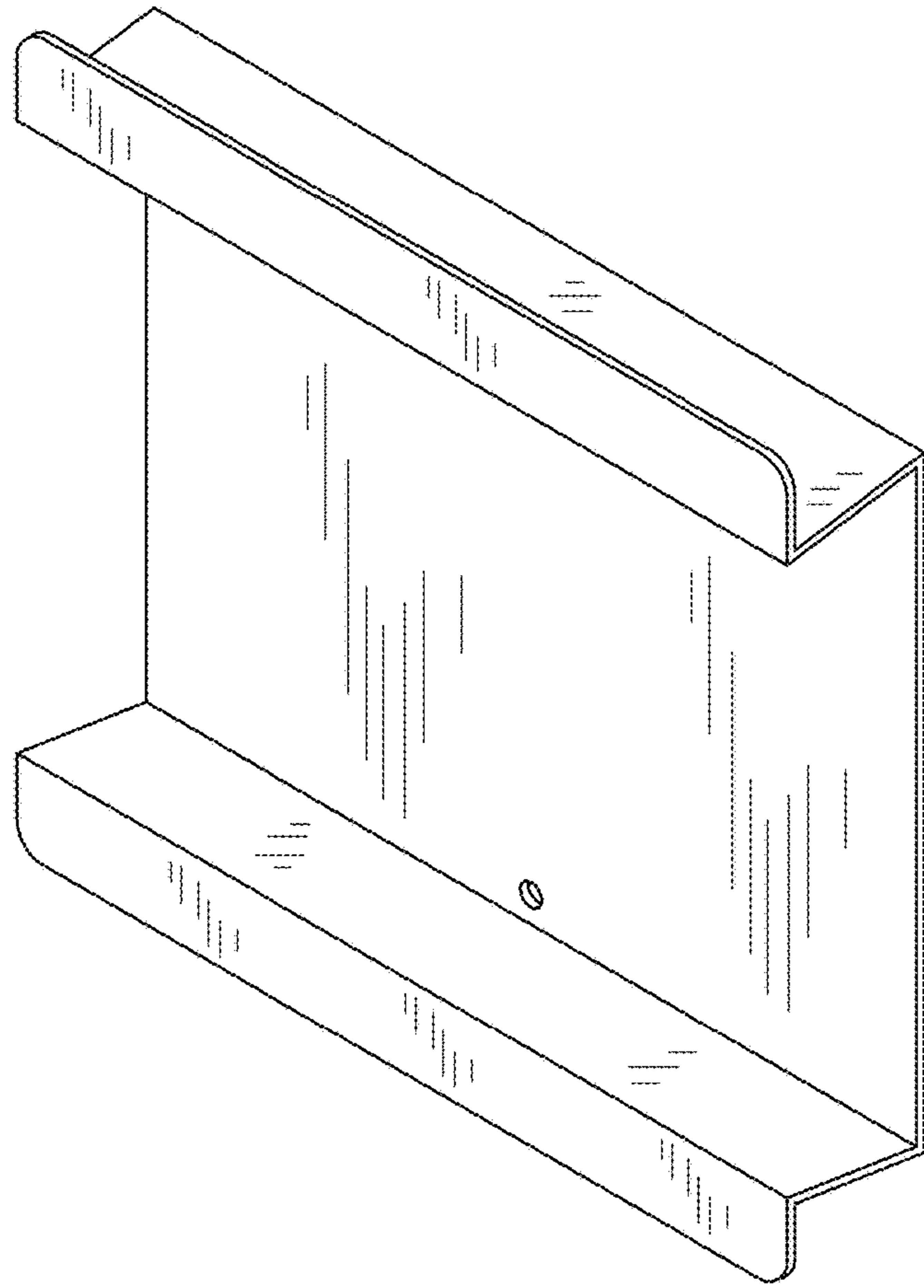


FIG.16