



US00D848376S

(12) **United States Design Patent**
Hewitt

(10) **Patent No.:** **US D848,376 S**

(45) **Date of Patent:** **** May 14, 2019**

(54) **CABLE PLUG PROTECTOR ASSEMBLY**

(71) Applicant: **FSP Holdings Pty Ltd**, Singleton, New South Wales (AU)

(72) Inventor: **Stephan Hewitt**, Singleton (AU)

(73) Assignee: **FSP HOLDINGS PTY LTD.**, Singleton, NSW (AU)

(**) Term: **15 Years**

(21) Appl. No.: **29/627,435**

(22) Filed: **Nov. 27, 2017**

(30) **Foreign Application Priority Data**

May 29, 2017 (AU) 201713202

(51) **LOC (11) Cl.** **13-03**

(52) **U.S. Cl.**
USPC **D13/153**

(58) **Field of Classification Search**

USPC D13/152-156, 199, 133; D8/367, 372, D8/373, 383, 394; D23/262, 266; D24/112; D25/108, 121, 122, 124
CPC . H05K 5/00; H05K 7/00; H01R 24/30; H01R 13/40; H01R 13/405; H01R 13/46; H01R 13/514; F16L 3/00; F16L 3/01; F16L 3/06; F16L 3/13; H02G 3/18; H02G 3/14; H02G 3/04; H02G 3/0456; H02G 3/0462; H02G 3/06; H02G 3/0608; H02G 3/22; H02G 3/30

See application file for complete search history.

(56) **References Cited**

U.S. PATENT DOCUMENTS

3,049,582 A * 8/1962 Shinn H01R 4/70 174/92
D332,940 S * 2/1993 Finlay D13/154
D437,294 S * 2/2001 Amin D13/133
D473,524 S * 4/2003 Koehler D13/156

D508,232 S * 8/2005 Suckle D13/156
D571,733 S * 6/2008 Seil D13/156
D586,757 S * 2/2009 Minnick D13/156
7,553,181 B1 * 6/2009 Van Dalinda, III H01R 13/6392 174/92

D631,848 S * 2/2011 Montena H01R 13/5213 D13/133

D698,226 S * 1/2014 Chance D13/156

(Continued)

OTHER PUBLICATIONS

FSPAustralia.com.au: Cable Plug Protector. Published Sep. 24, 2018. Retrieved from the internet at <<https://fspaustralia.com.au/general-mining/>>, Sep. 24, 2018. 1 page (Year: 2018).*

Primary Examiner — Rosemary K Tarcza

Assistant Examiner — Christy M Nemeth

(57) **CLAIM**

The ornamental design for the cable plug protector assembly, as shown and described.

DESCRIPTION

FIG. 1 is a top view of a first half of the cable plug protector assembly, shown removed from the fasteners and second half, to show aspects of the design that are not visible when combined, the second half being identical;

FIG. 2 is a bottom view thereof;

FIG. 3 is a front view thereof;

FIG. 4 is a rear view thereof;

FIG. 5 is a left side view thereof;

FIG. 6 is a right side view thereof;

FIG. 7 is a top, right side isometric view thereof;

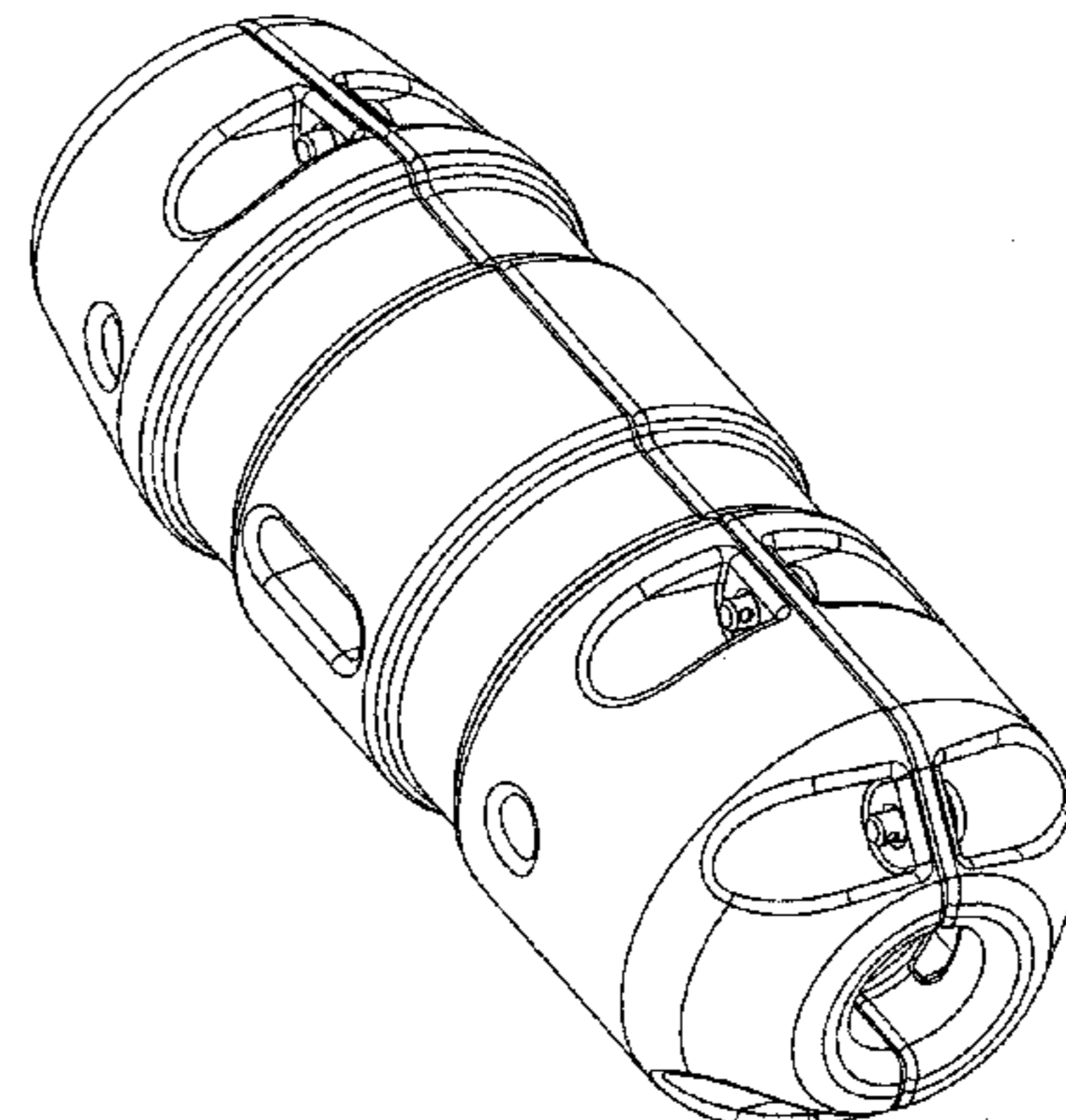
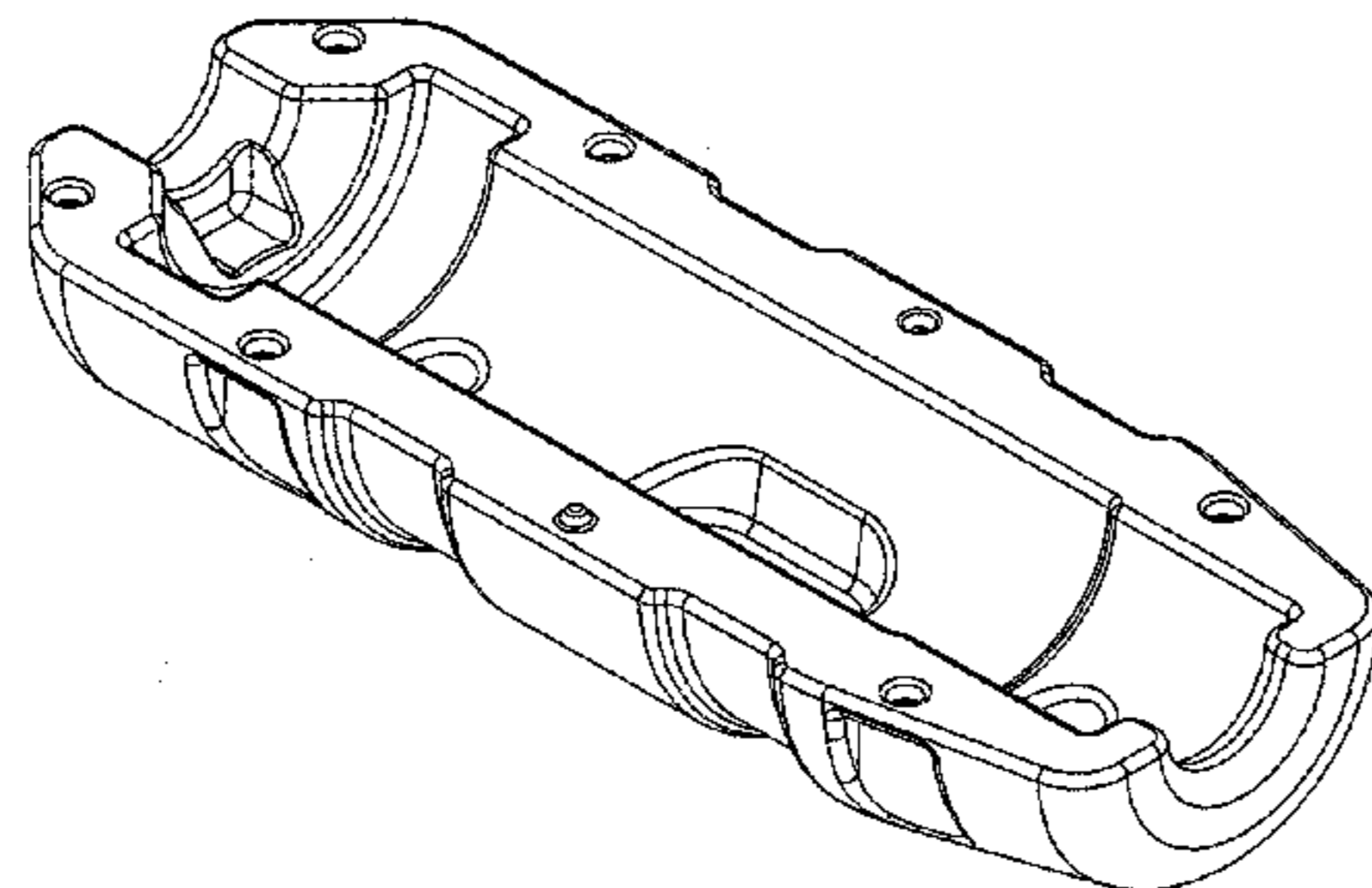
FIG. 8 is a top, left side isometric view thereof;

FIG. 9 is a bottom, left side isometric view thereof;

FIG. 10 is a bottom, right side isometric view thereof; and,

FIG. 11 is an isometric view of the cable plug protector assembly.

1 Claim, 11 Drawing Sheets



(56)

References Cited

U.S. PATENT DOCUMENTS

8,702,440 B2 * 4/2014 Nooner H01R 13/5213
439/279
D706,117 S * 6/2014 Toimil D13/154
D707,334 S * 6/2014 Hernandez D23/266
D753,606 S * 4/2016 Nooner H01R 13/5213
D13/156
D774,628 S * 12/2016 Provenzano D23/262
D775,591 S * 1/2017 Davidson, Jr. D13/153
D794,569 S * 8/2017 Giordano D13/133
9,831,624 B2 * 11/2017 Garvey H01R 31/06
D817,895 S * 5/2018 Uchida D13/156
2005/0020113 A1 * 1/2005 Melton H01R 13/6397
439/149

* cited by examiner

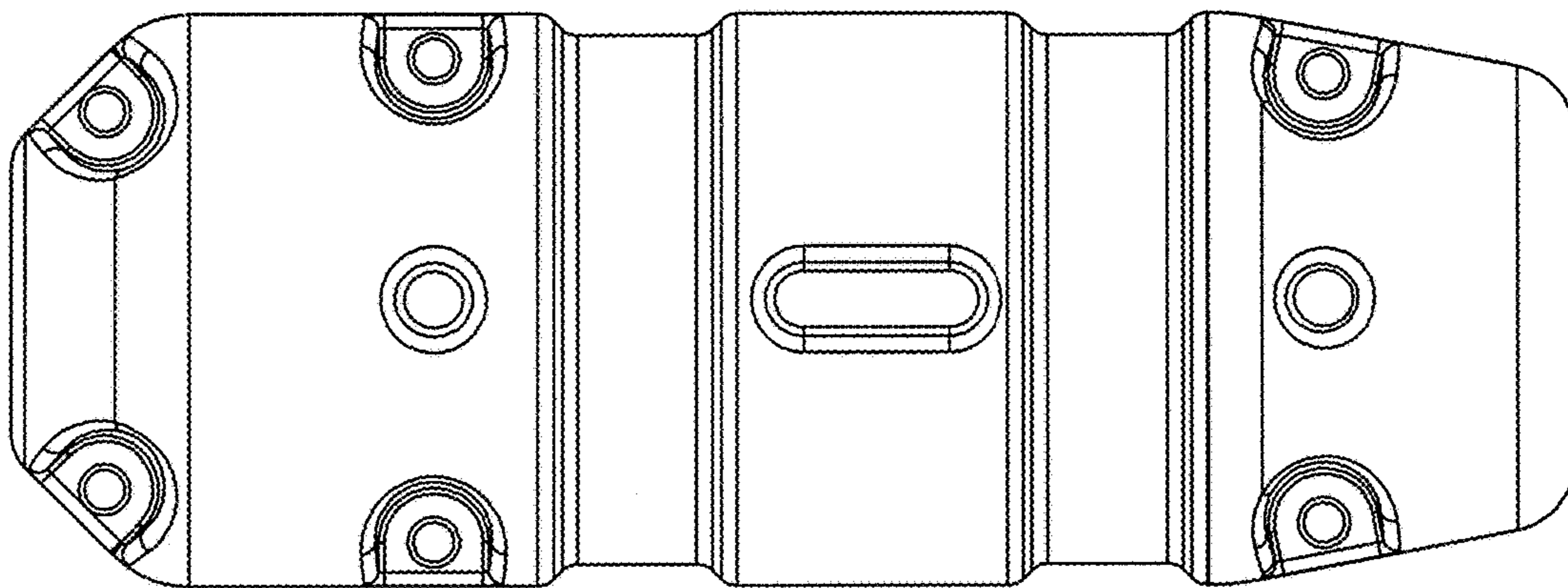


Fig. 1

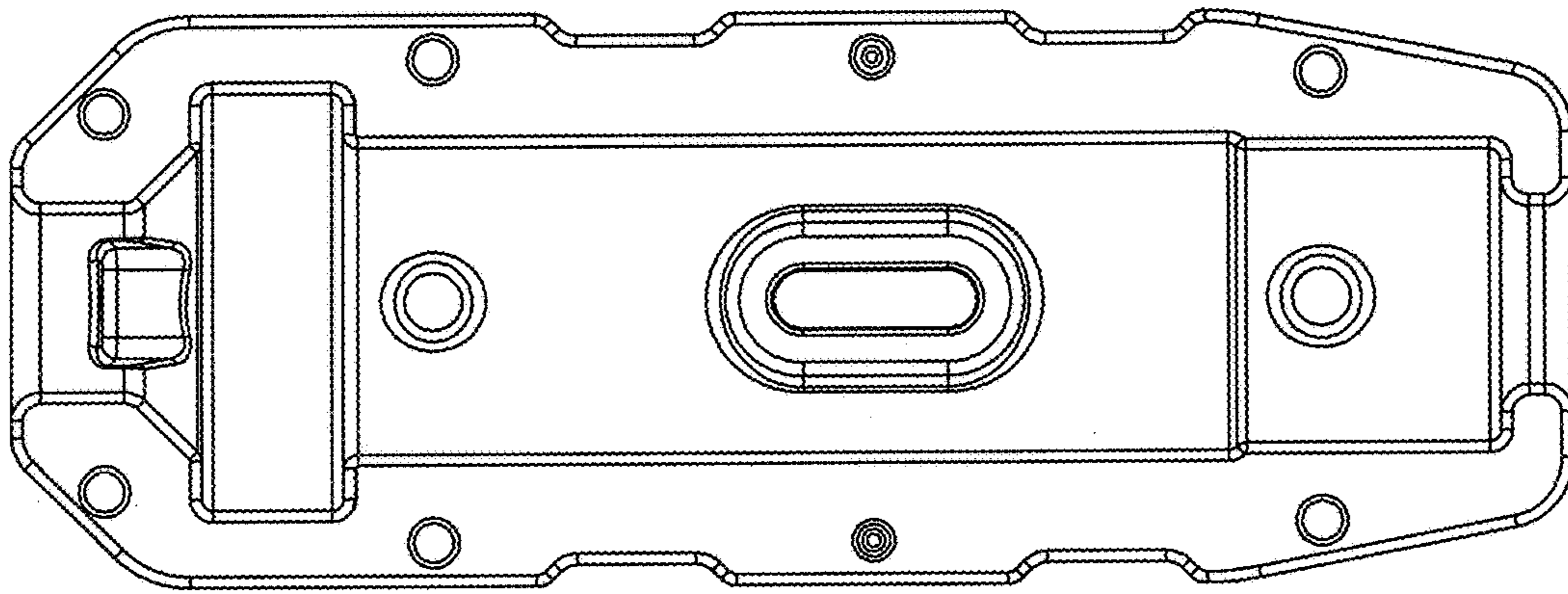


Fig. 2

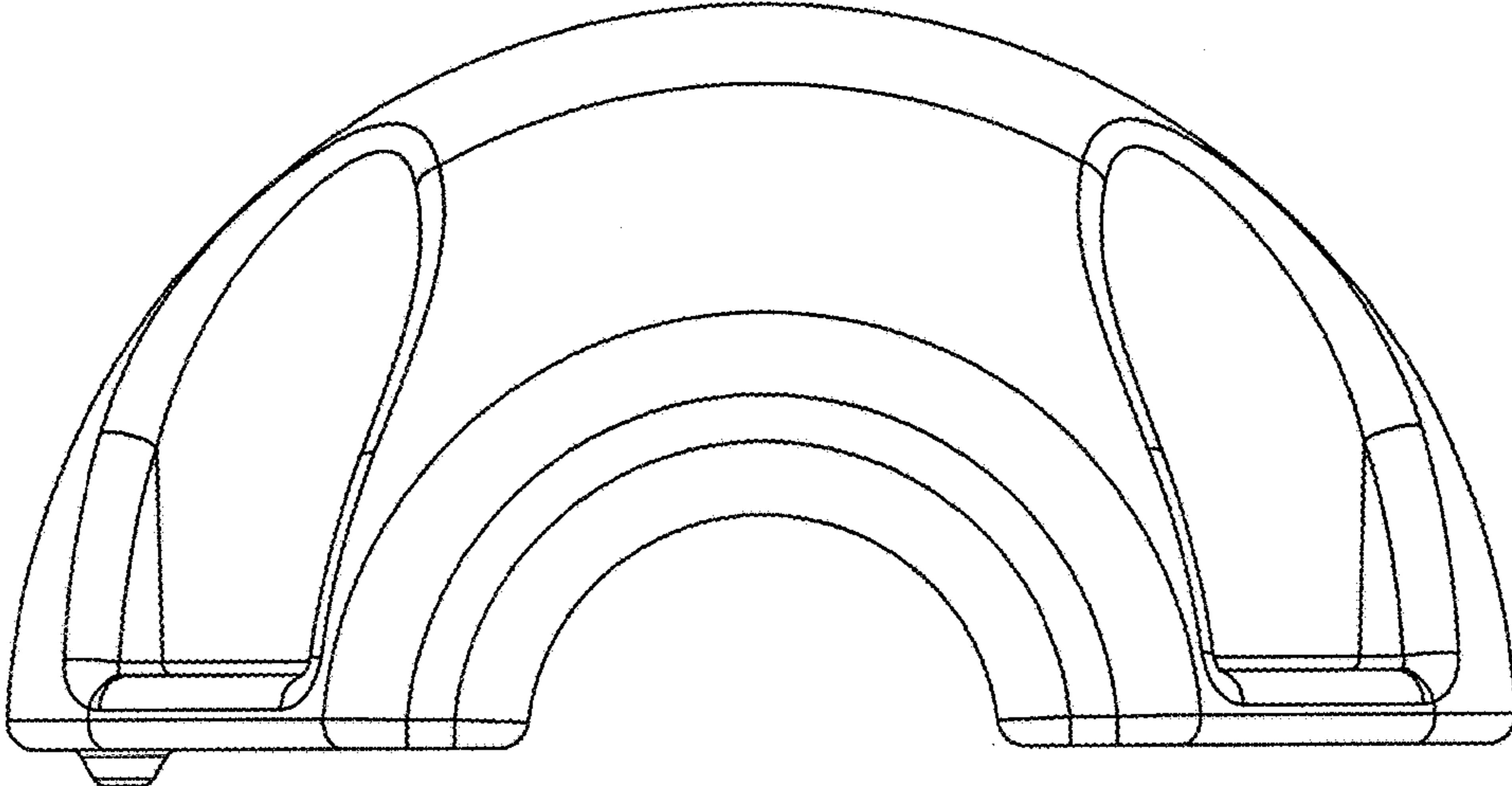


Fig. 3

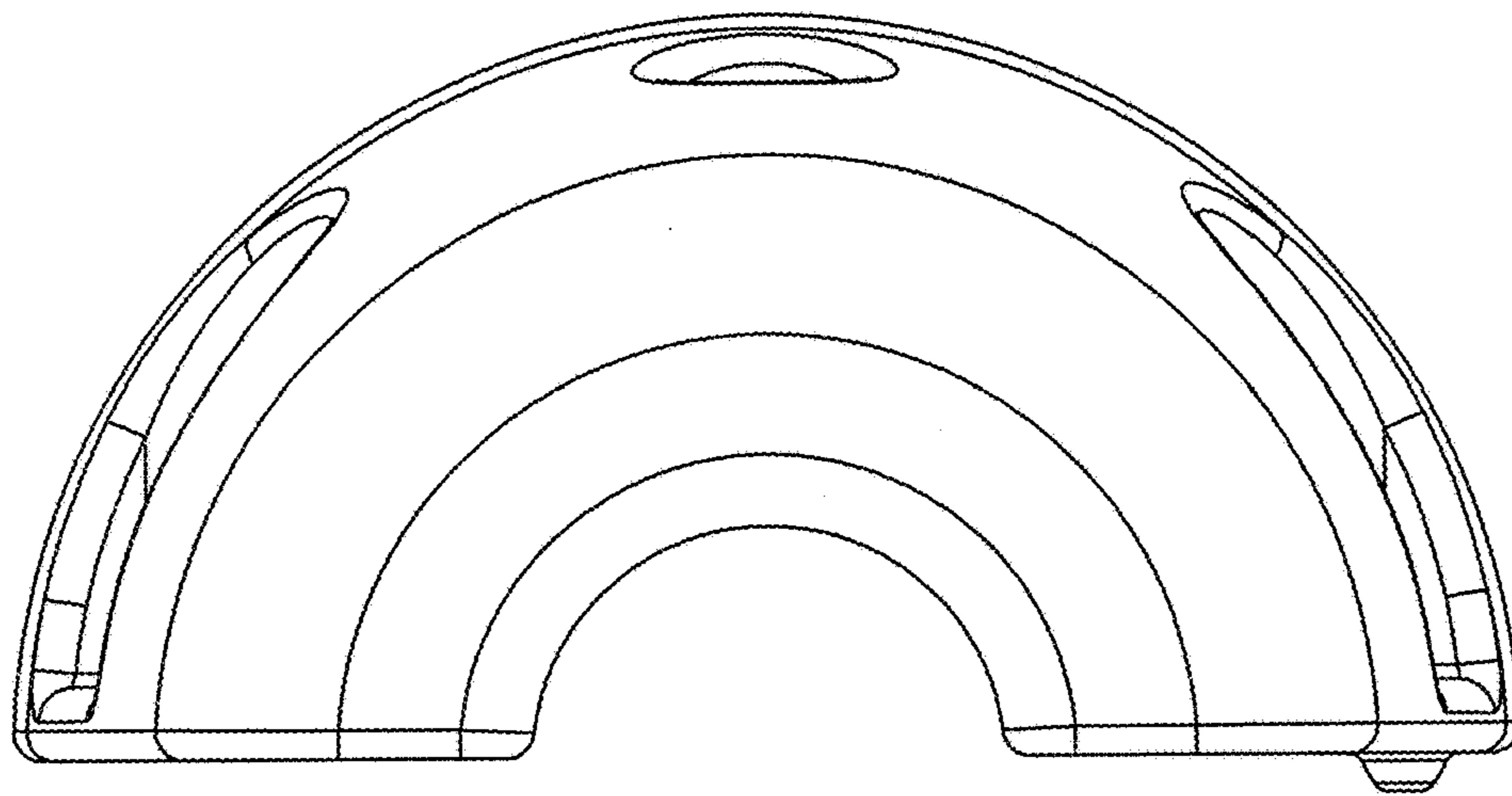


Fig. 4

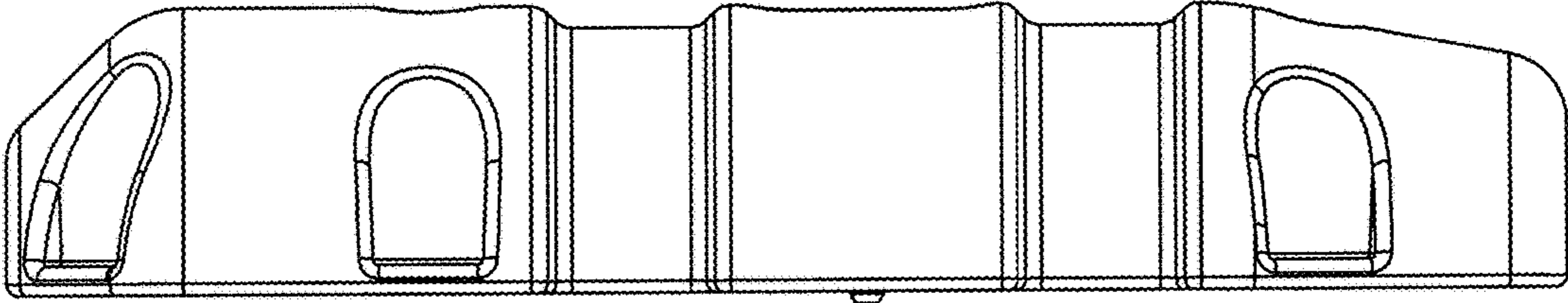


Fig. 5

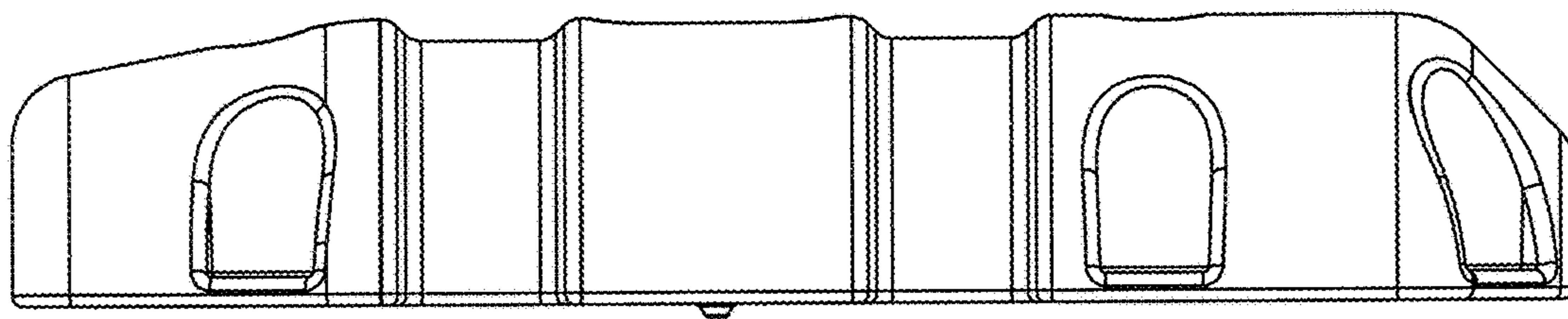


Fig. 6

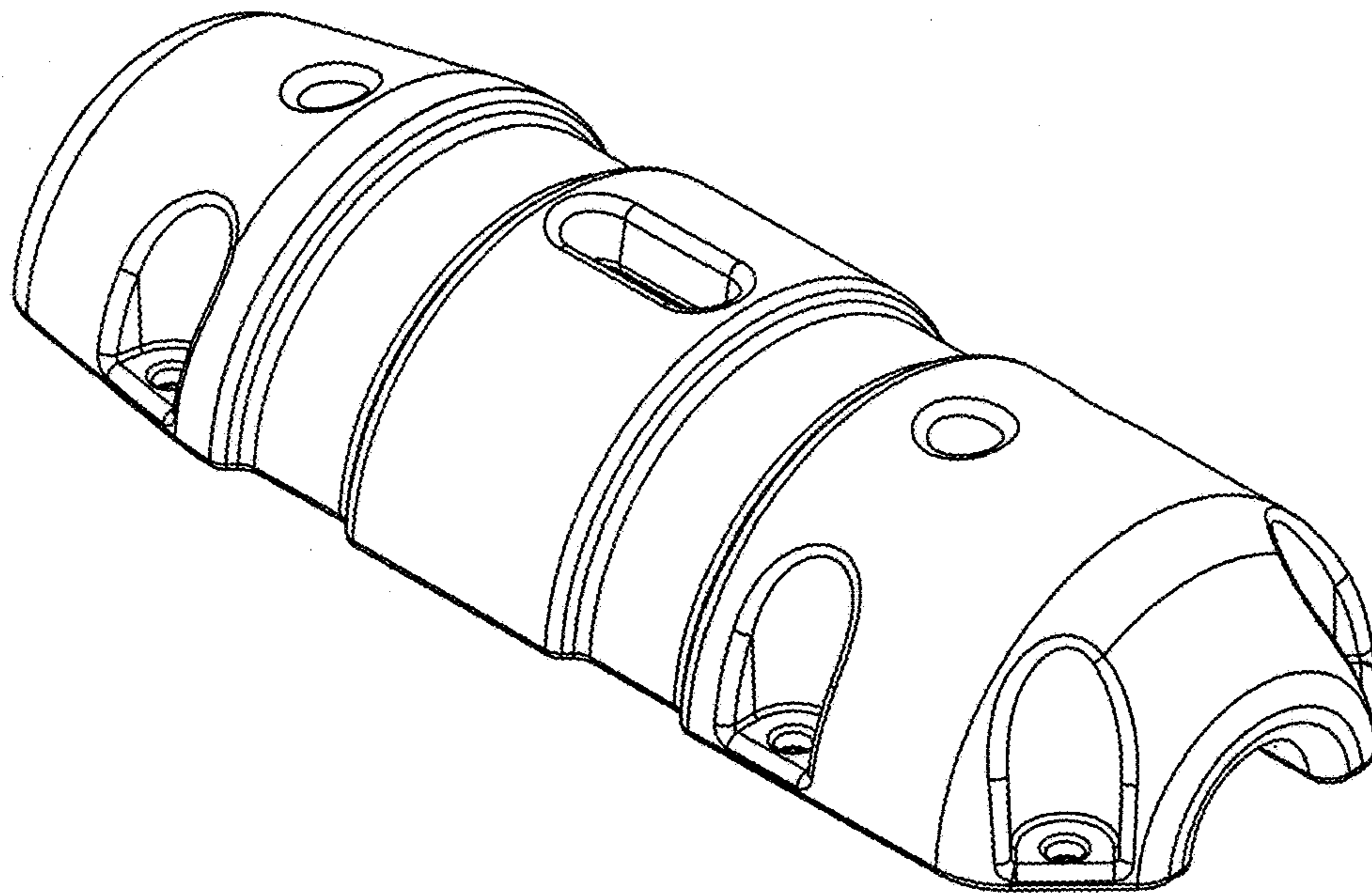


Fig. 7

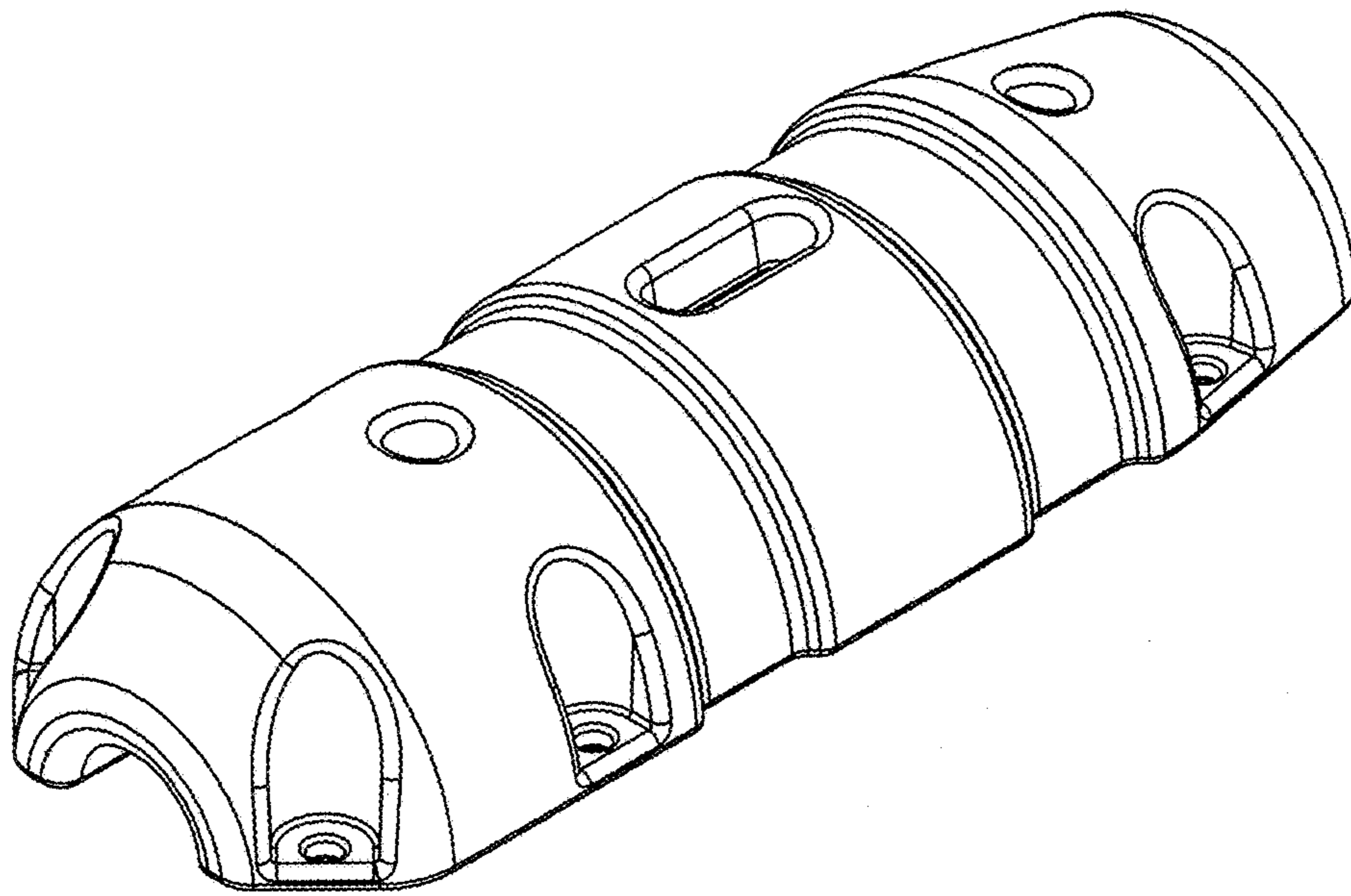


Fig. 8

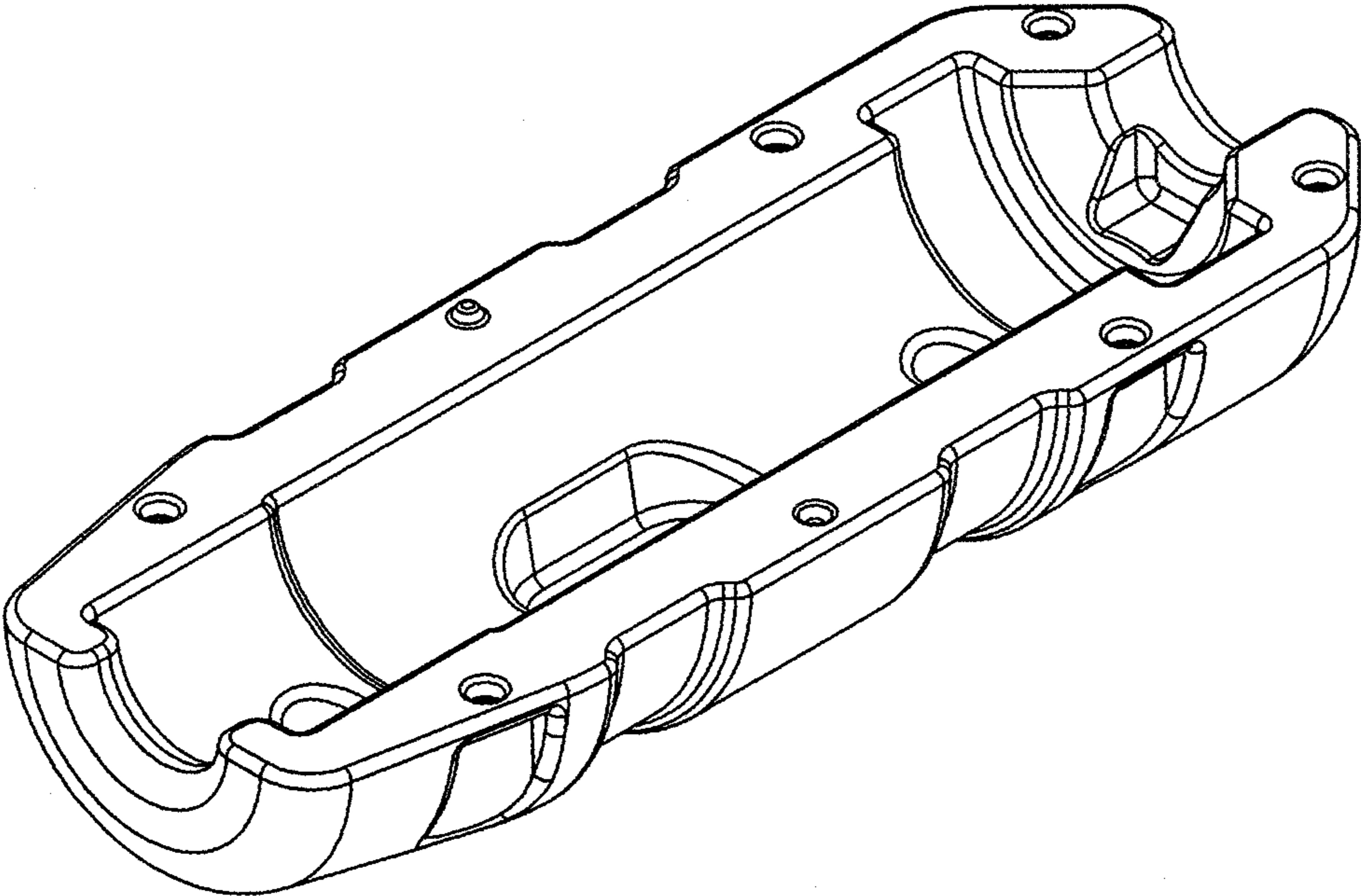


Fig. 9

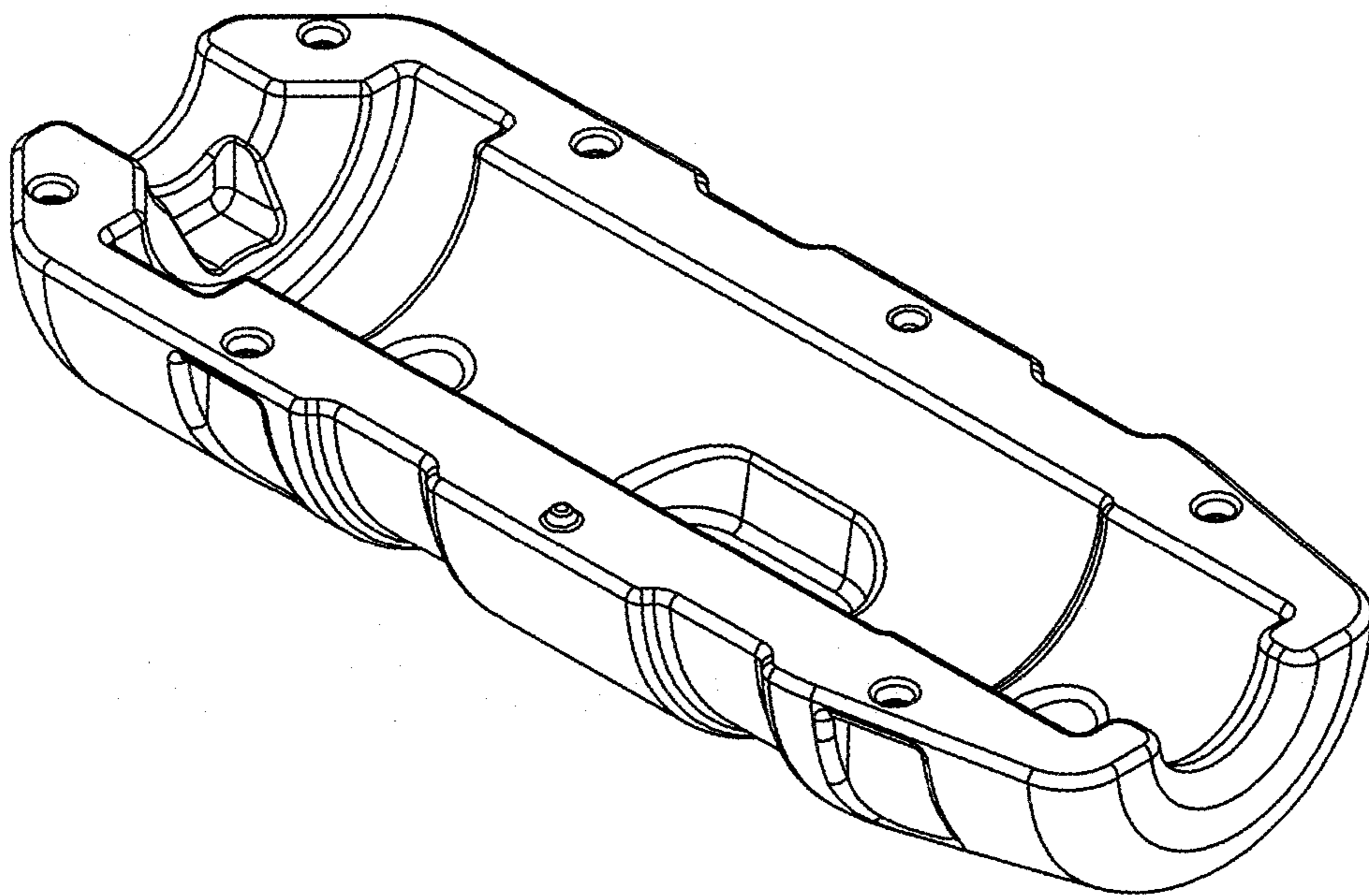


Fig. 10

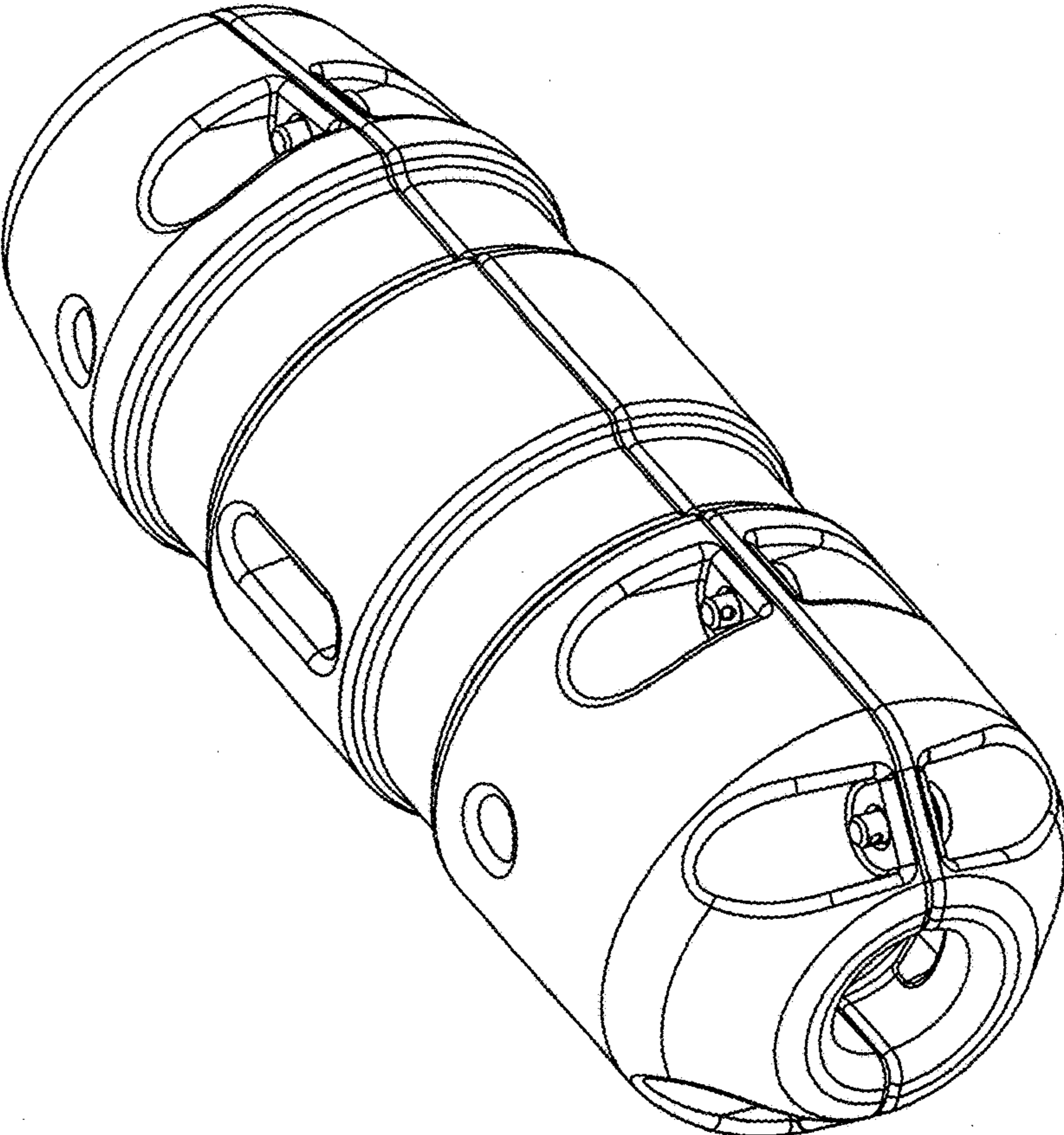


Fig. 11