



US00D848374S

(12) **United States Design Patent**
Gregori

(10) **Patent No.:** **US D848,374 S**

(45) **Date of Patent:** **** May 14, 2019**

(54) **CONNECTOR HOUSING**

(71) Applicant: **Molex, LLC**, Lisle, IL (US)

(72) Inventor: **Timothy R. Gregori**, New Lenox, IL (US)

(73) Assignee: **Molex, LLC**, Lisle, IL (US)

(**) Term: **15 Years**

(21) Appl. No.: **29/638,770**

(22) Filed: **Feb. 28, 2018**

(51) **LOC (11) Cl.** **13-03**

(52) **U.S. Cl.**
USPC **D13/147**

(58) **Field of Classification Search**
USPC D13/133, 146, 147, 154, 184, 199

(Continued)

(56) **References Cited**

U.S. PATENT DOCUMENTS

D324,027 S * 2/1992 Sueyoshi D13/133
D596,125 S * 7/2009 Norin D13/133

(Continued)

Primary Examiner — Daniel D Bui

(74) *Attorney, Agent, or Firm* — Banner & Witcoff, Ltd.

(57) **CLAIM**

The ornamental design for a connector housing, as shown and described.

DESCRIPTION

FIG. 1 is a front perspective view of the first embodiment of a connector housing showing my new design;

FIG. 2 is a front elevation view thereof;

FIG. 3 is a rear elevation view thereof;

FIG. 4 is a left side elevation view thereof;

FIG. 5 is a right side elevation view thereof;

FIG. 6 is a top plan view thereof;

FIG. 7 is a bottom plan view thereof;

FIG. 8 is a rear perspective view thereof;

FIG. 9 is a front perspective view of the second embodiment of a connector housing showing my new design;

FIG. 10 is a front elevation view thereof;

FIG. 11 is a rear elevation view thereof;

FIG. 12 is a left side elevation view thereof;

FIG. 13 is a right side elevation view thereof;

FIG. 14 is a top plan view thereof;

FIG. 15 is a bottom plan view thereof;

FIG. 16 is a rear perspective view thereof;

FIG. 17 is a front perspective view of the third embodiment of a connector housing showing my new design;

FIG. 18 is a front elevation view thereof;

FIG. 19 is a rear elevation view thereof;

FIG. 20 is a left side elevation view thereof;

FIG. 21 is a right side elevation view thereof;

FIG. 22 is a top plan view thereof;

FIG. 23 is a bottom plan view thereof;

FIG. 24 is a rear perspective view thereof;

FIG. 25 is a front perspective view of the fourth embodiment of a connector housing showing my new design;

FIG. 26 is a front elevation view thereof;

FIG. 27 is a rear elevation view thereof;

FIG. 28 is a left side elevation view thereof;

FIG. 29 is a right side elevation view thereof;

FIG. 30 is a top plan view thereof;

FIG. 31 is a bottom plan view thereof;

FIG. 32 is a rear perspective view thereof;

FIG. 33 is a front perspective view of the fifth embodiment of a connector housing showing my new design;

FIG. 34 is a front elevation view thereof;

FIG. 35 is a rear elevation view thereof;

FIG. 36 is a left side elevation view thereof;

FIG. 37 is a right side elevation view thereof;

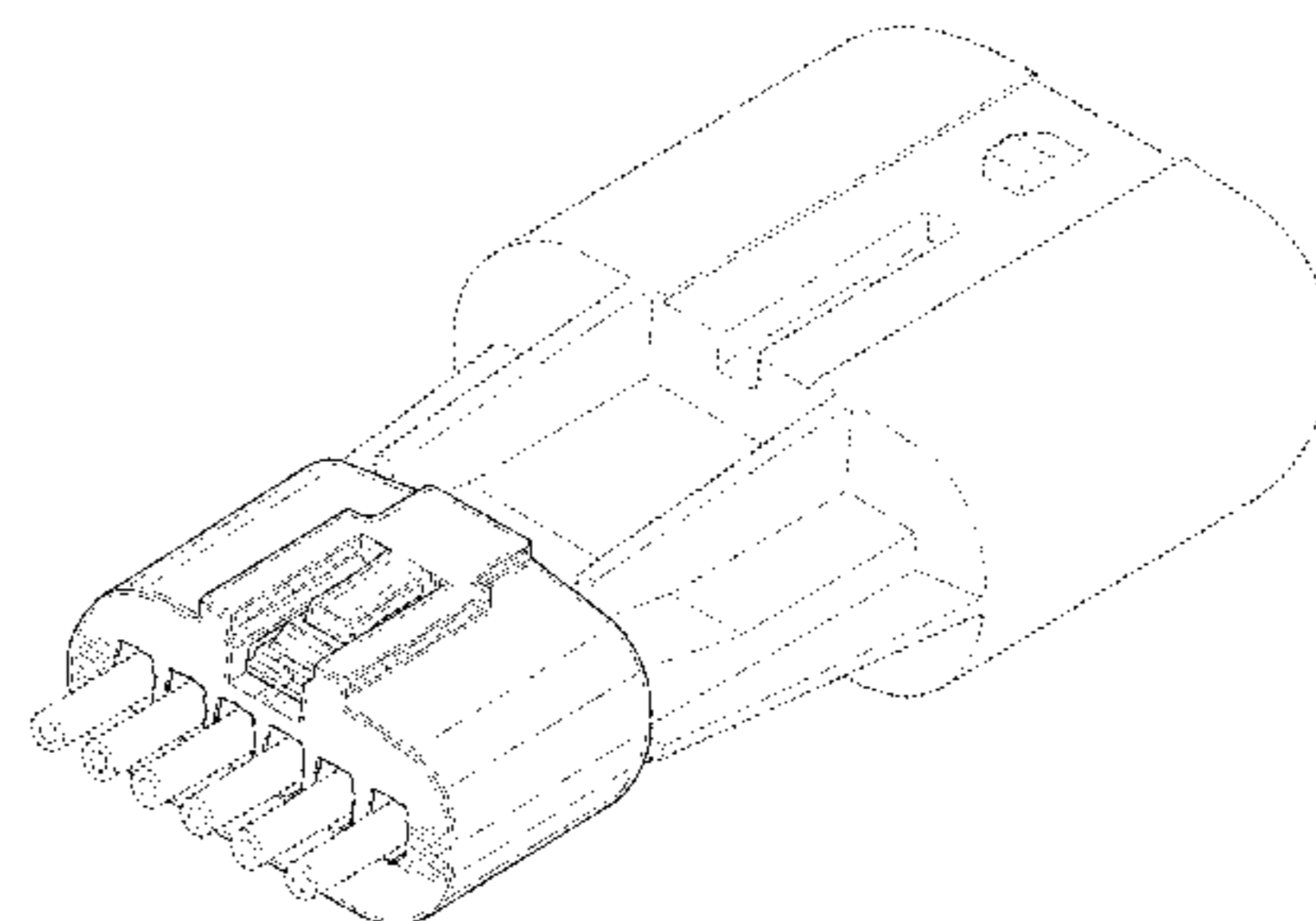
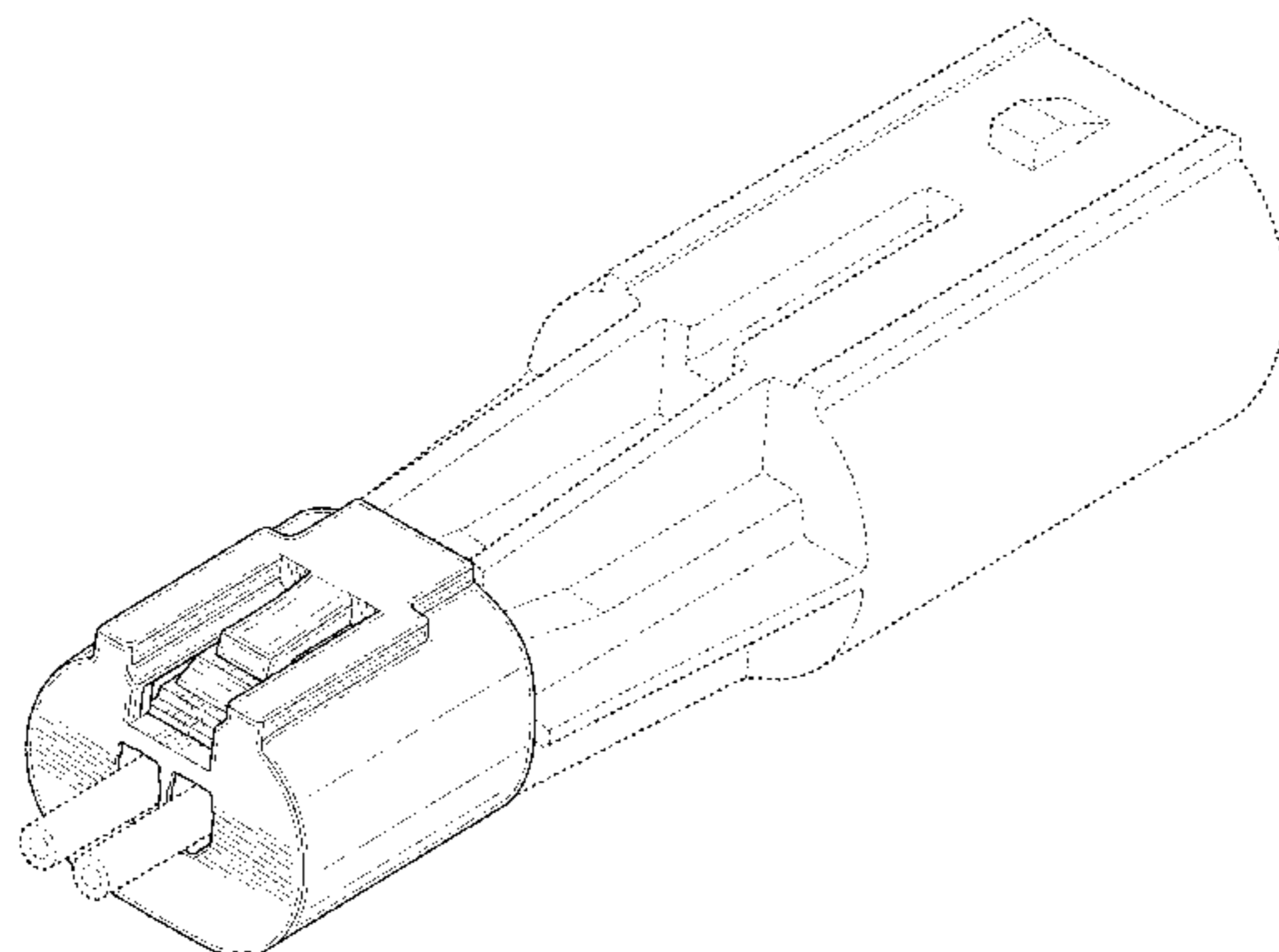
FIG. 38 is a top plan view thereof;

FIG. 39 is a bottom plan view thereof; and,

FIG. 40 is a rear perspective view thereof.

The broken line in the drawing views represents unclaimed portions of the connector housing and forms no part of the claimed design.

1 Claim, 40 Drawing Sheets



(58) **Field of Classification Search**

CPC H01R 13/213; H01R 13/518; H01R
13/5208; H01R 13/5812; H01R 13/5816;
H01R 13/582; H01R 13/59; H01R
13/659; H01R 24/86

See application file for complete search history.

(56) **References Cited**

U.S. PATENT DOCUMENTS

RE42,230 E *	3/2011	Norin	D13/133
D680,075 S *	4/2013	Yang	D13/133
D699,680 S *	2/2014	Takamoto	D13/133
D705,731 S *	5/2014	Zhong	D13/133
D726,114 S *	4/2015	Nook	D13/133

* cited by examiner

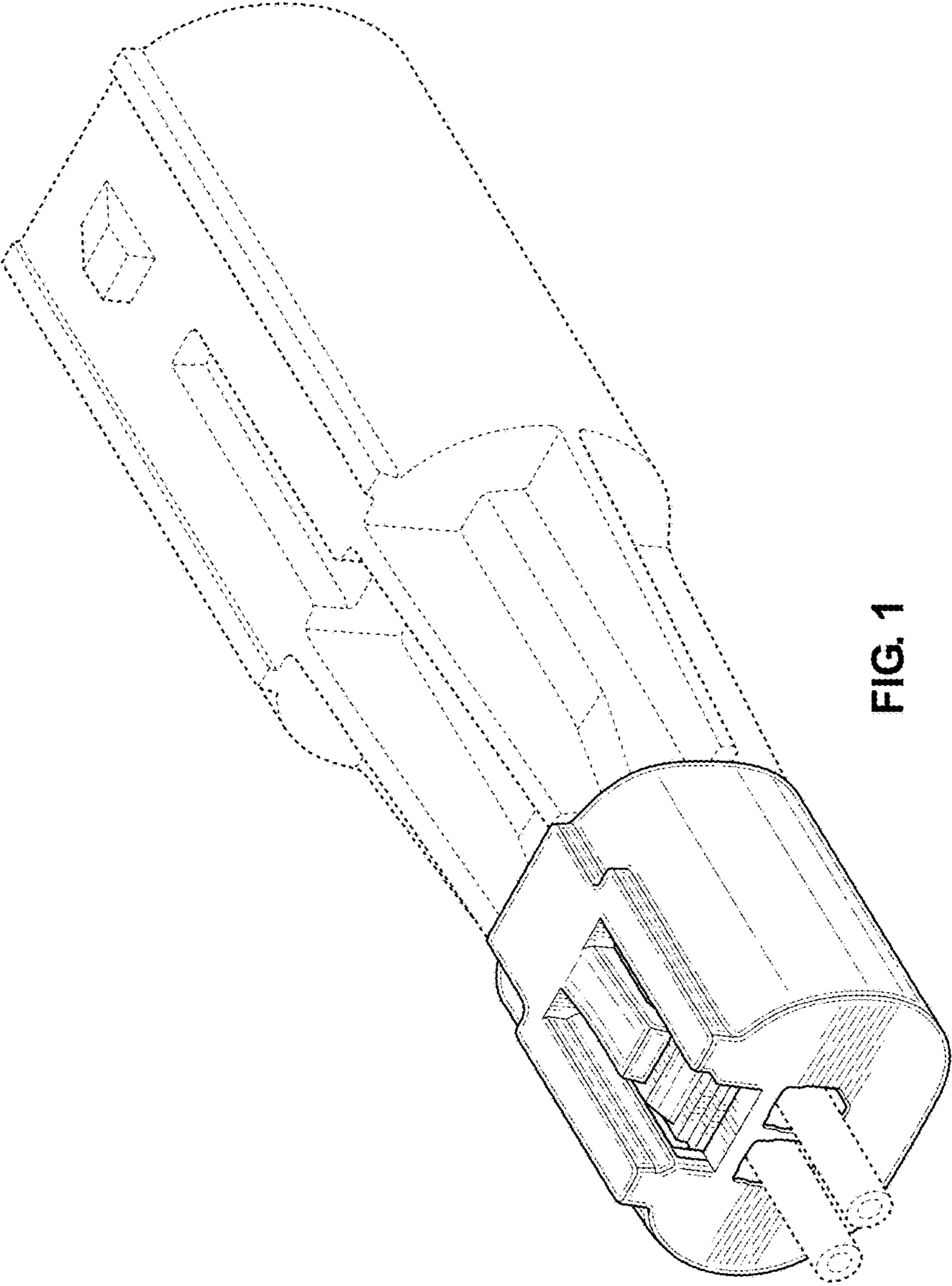


FIG. 1

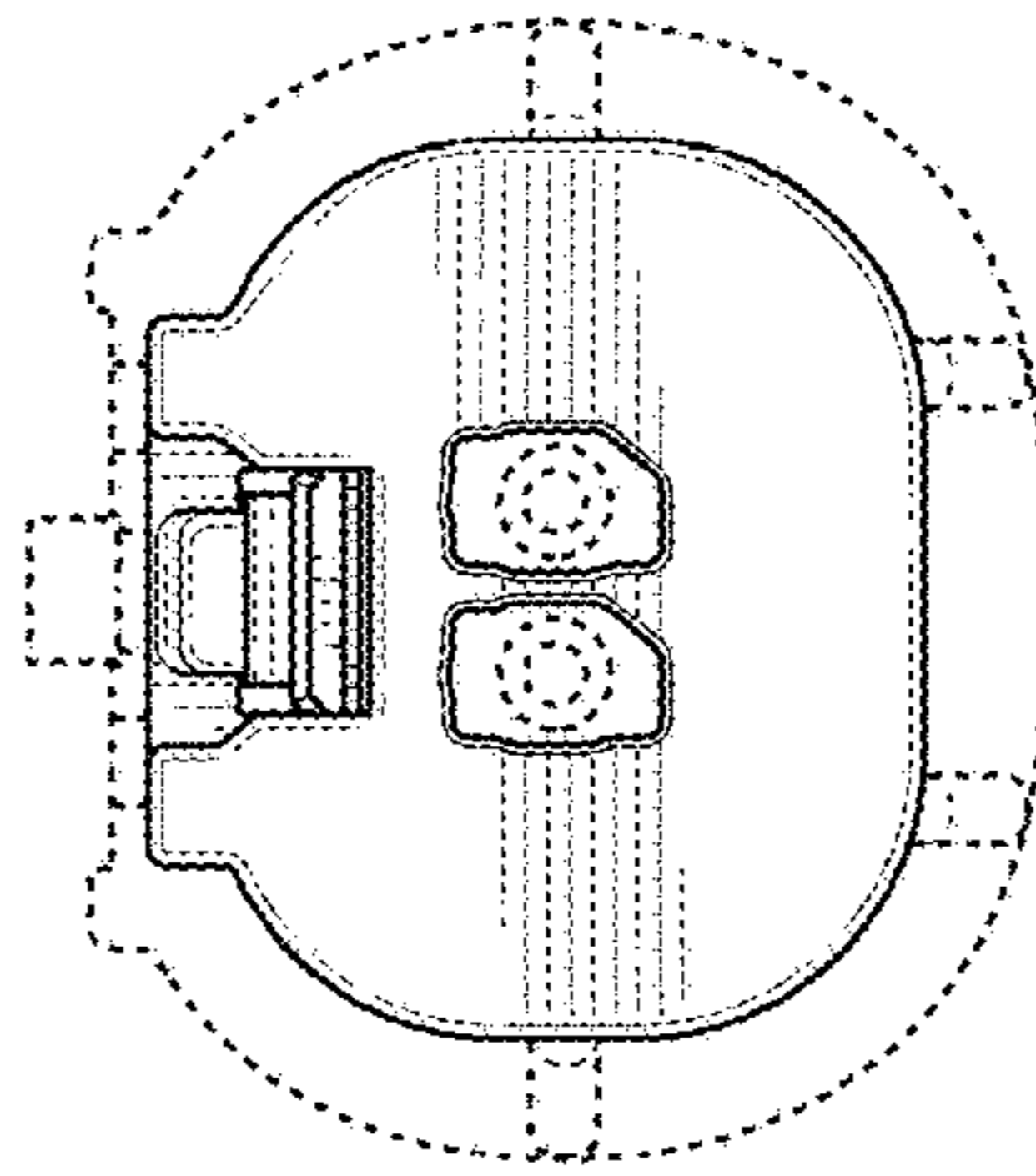


FIG. 2

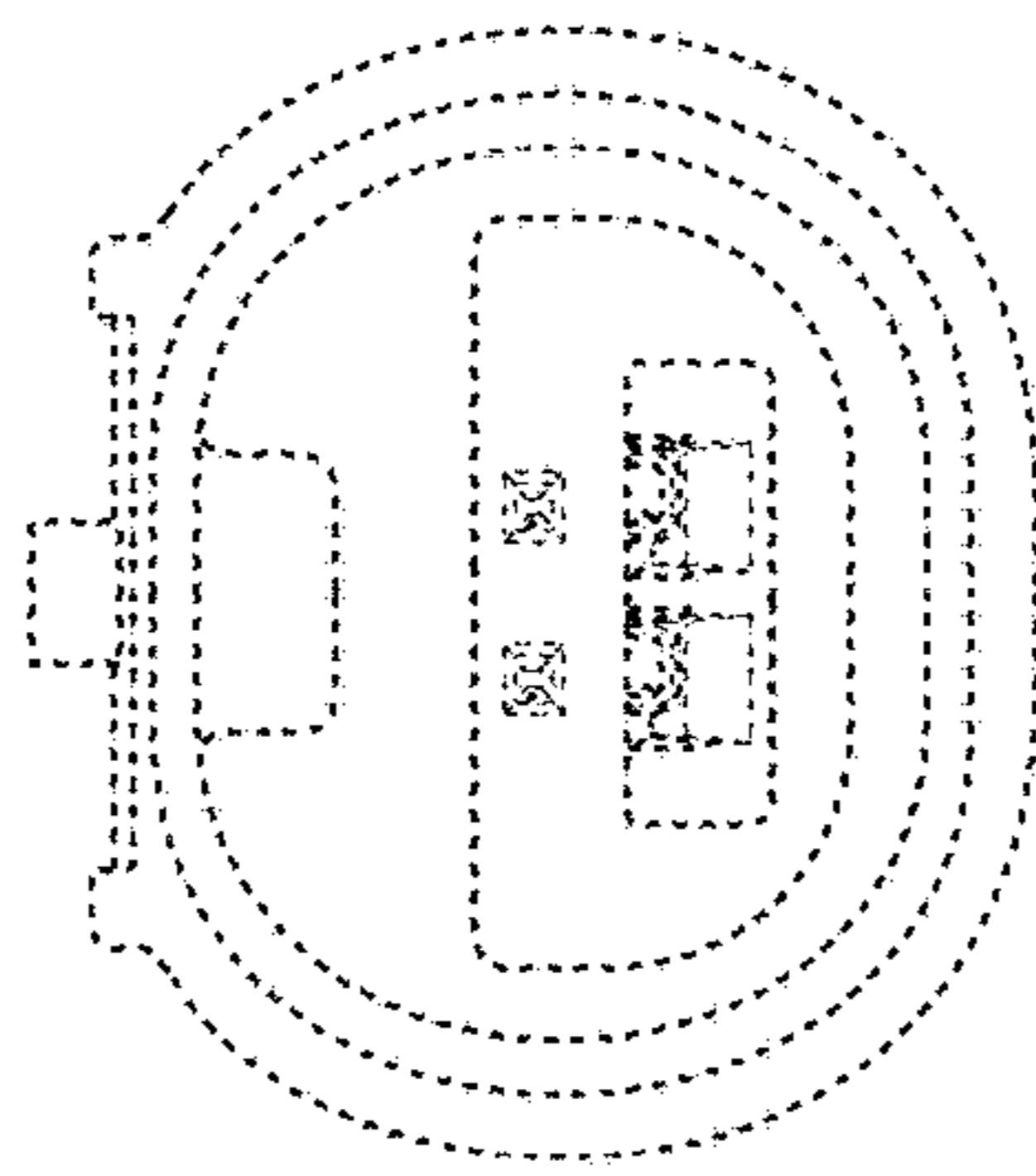


FIG. 3

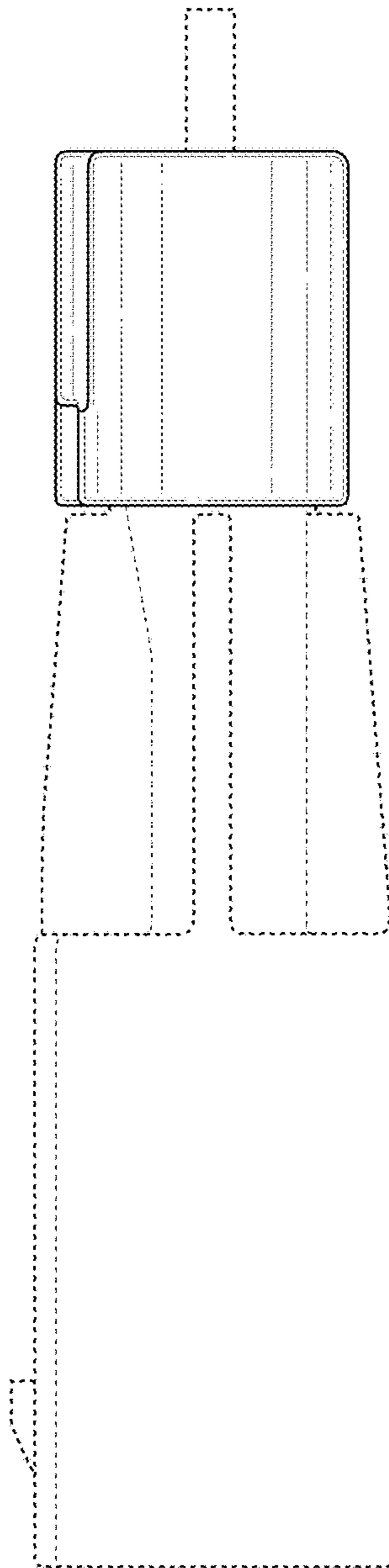


FIG. 4

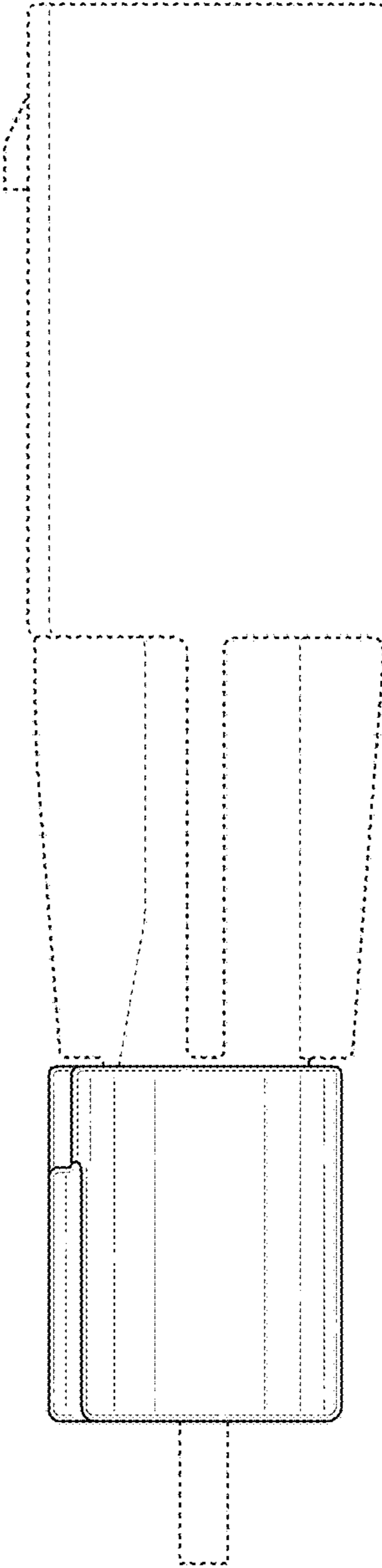


FIG. 5

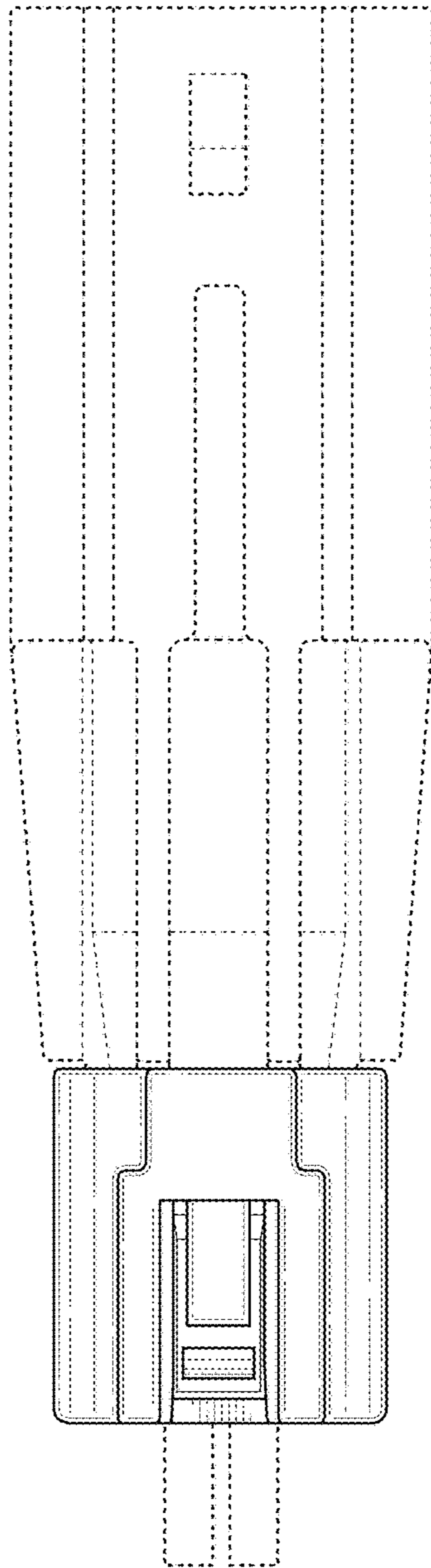


FIG. 6

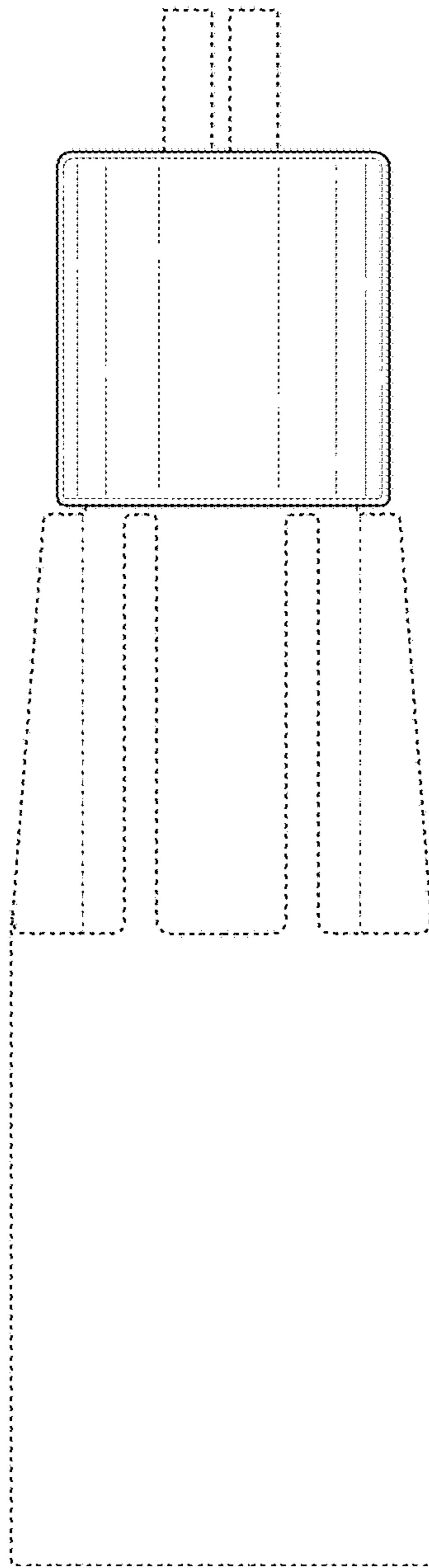


FIG. 7

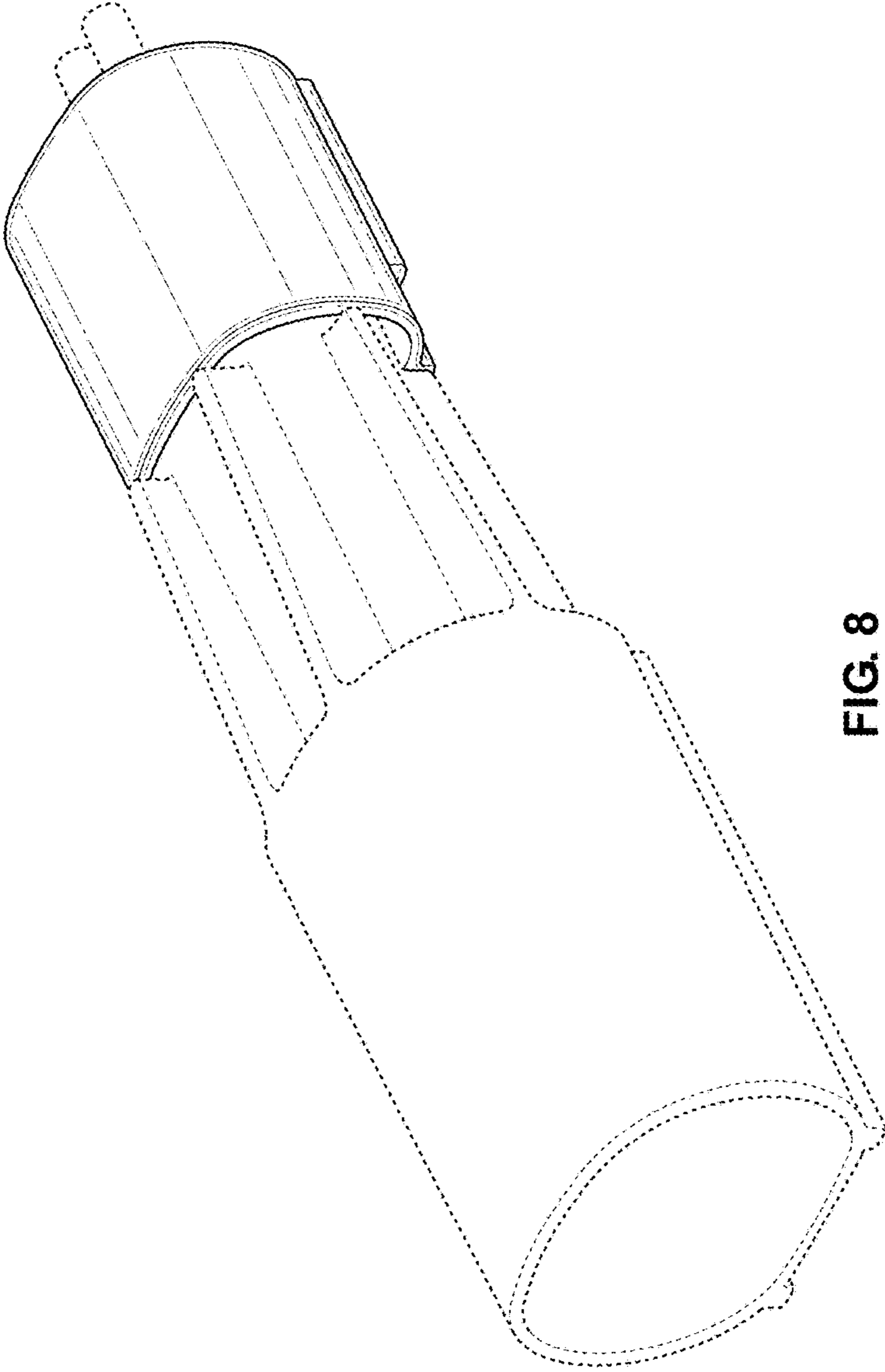


FIG. 8

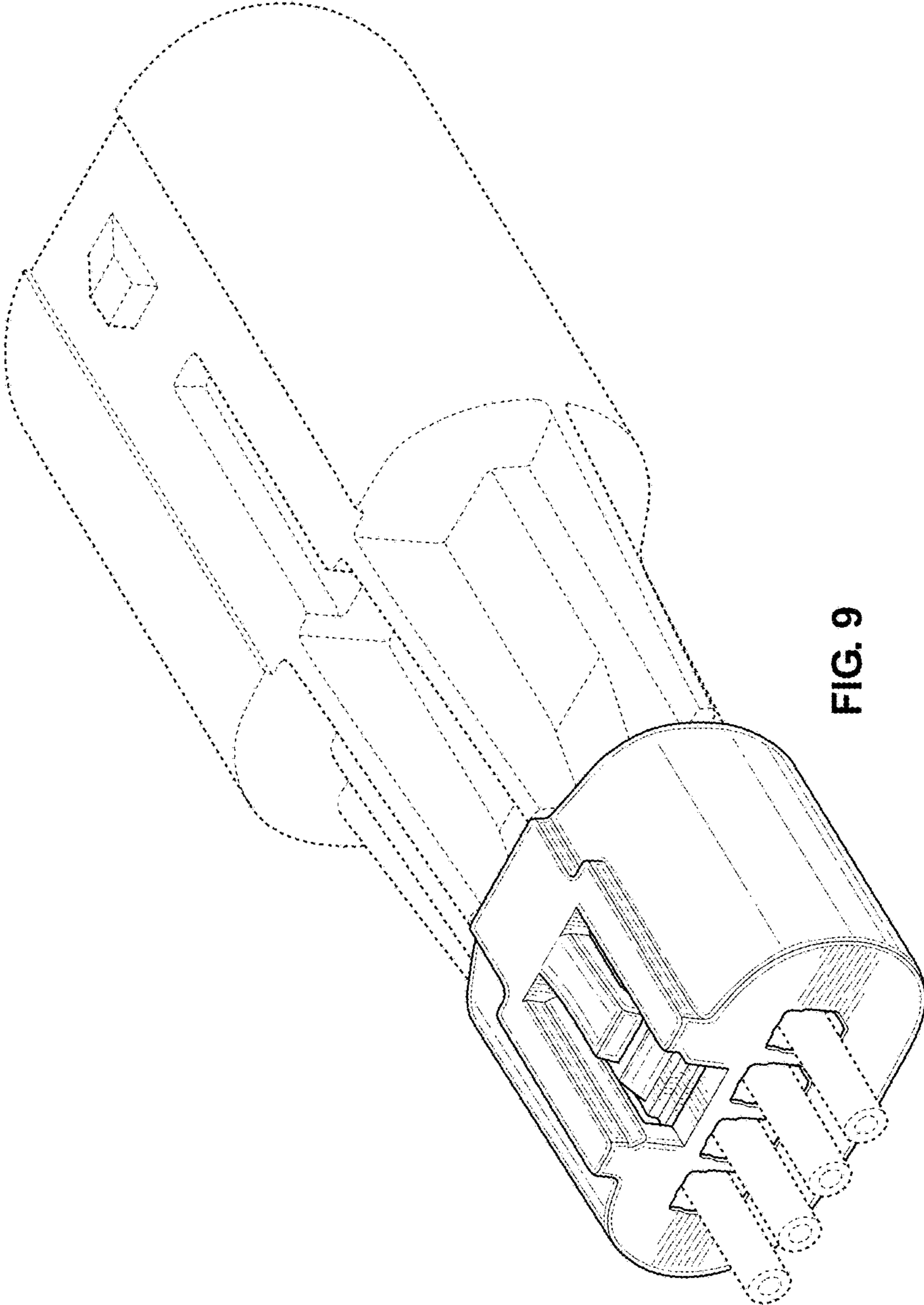


FIG. 9

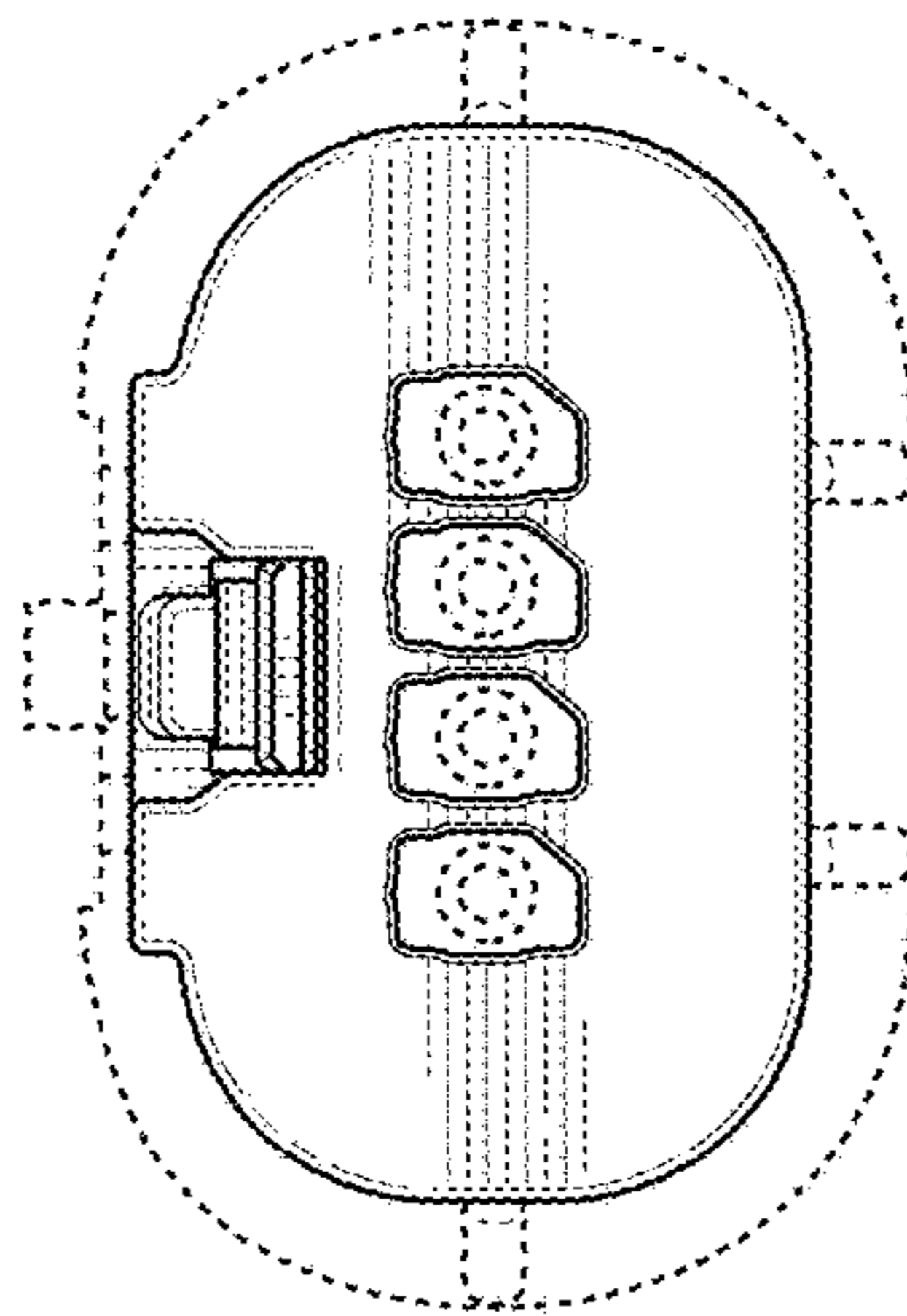


FIG. 10

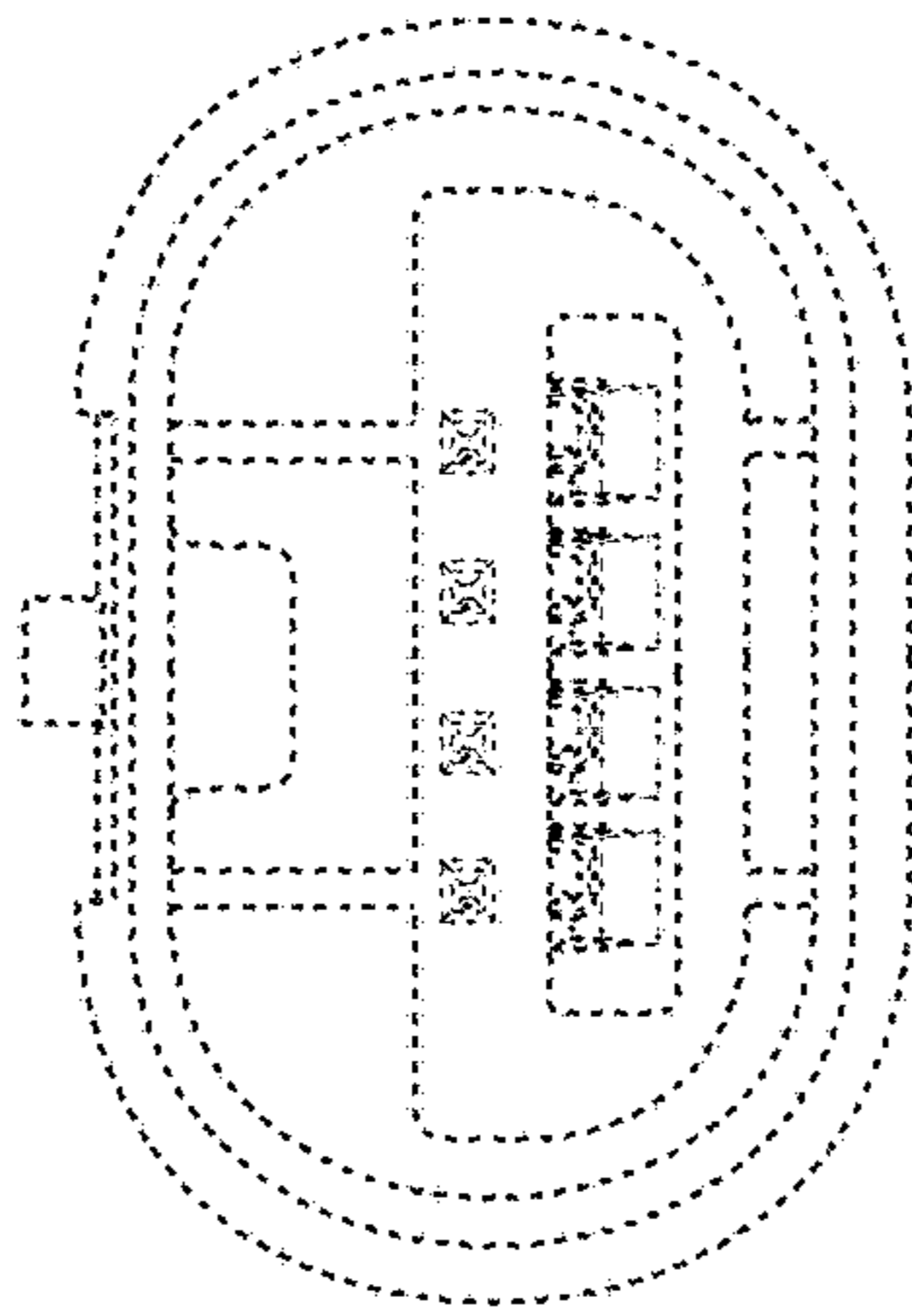


FIG. 11

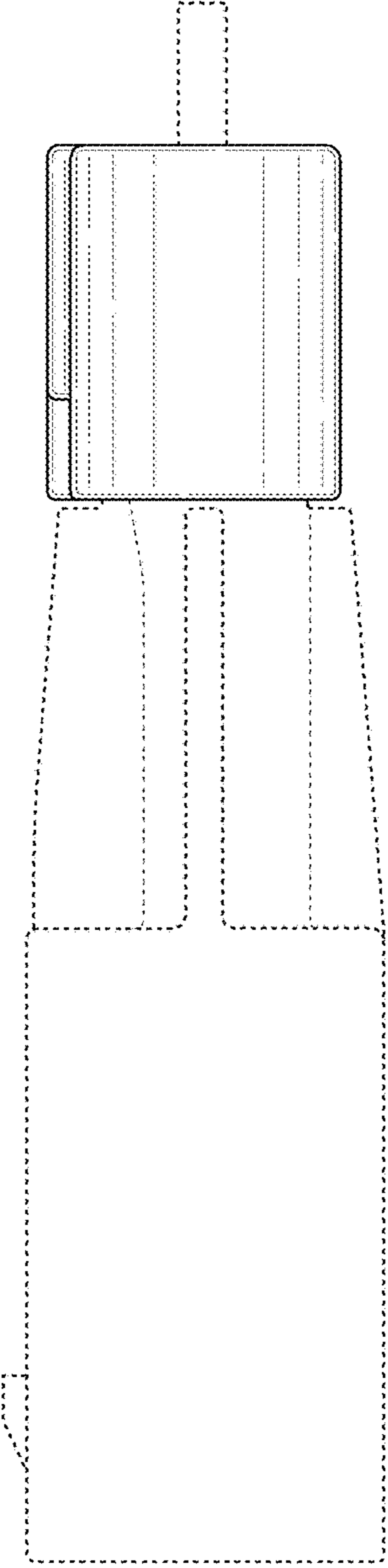


FIG. 12

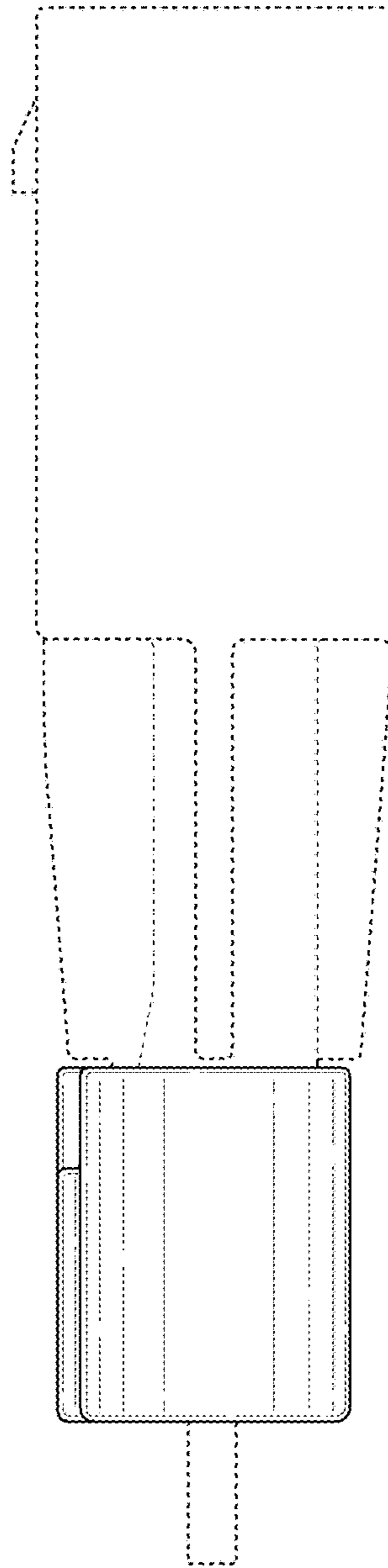


FIG. 13

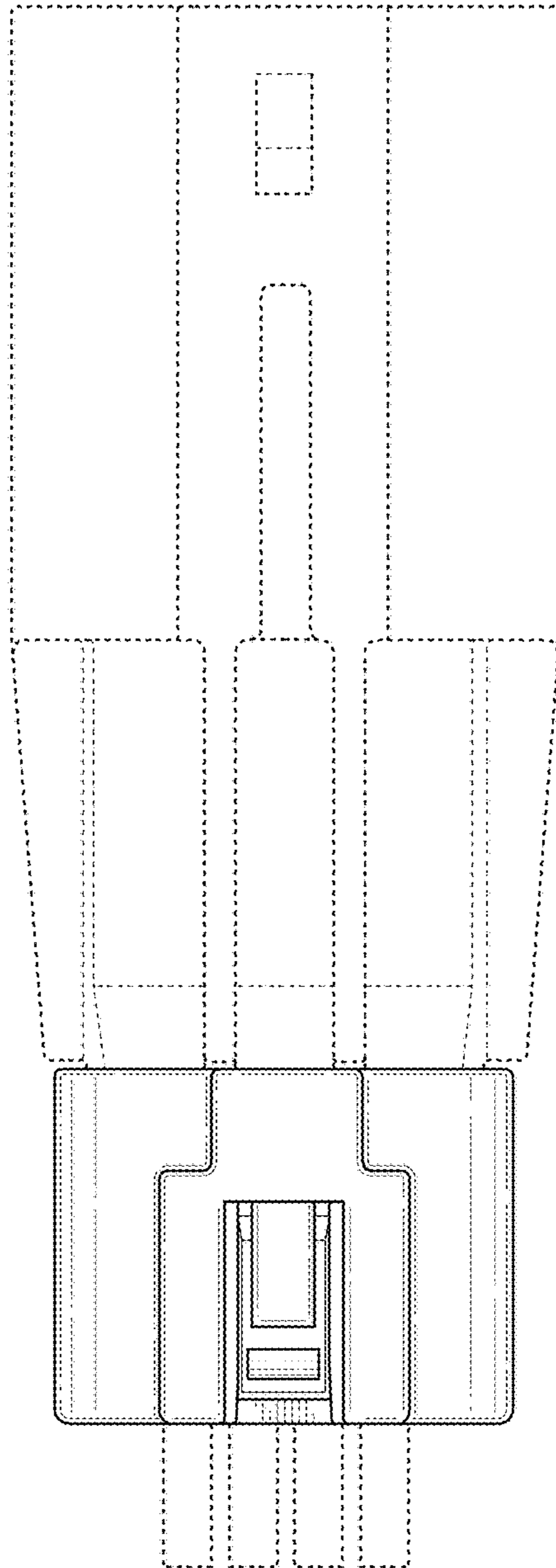


FIG. 14

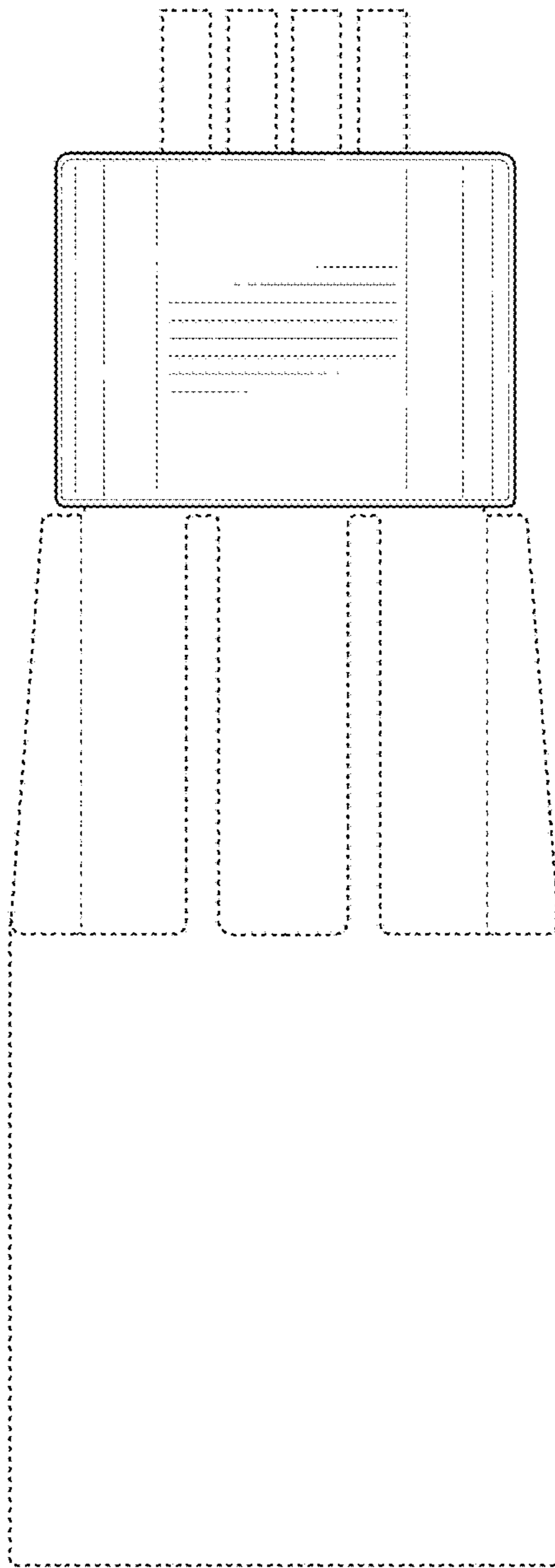


FIG. 15

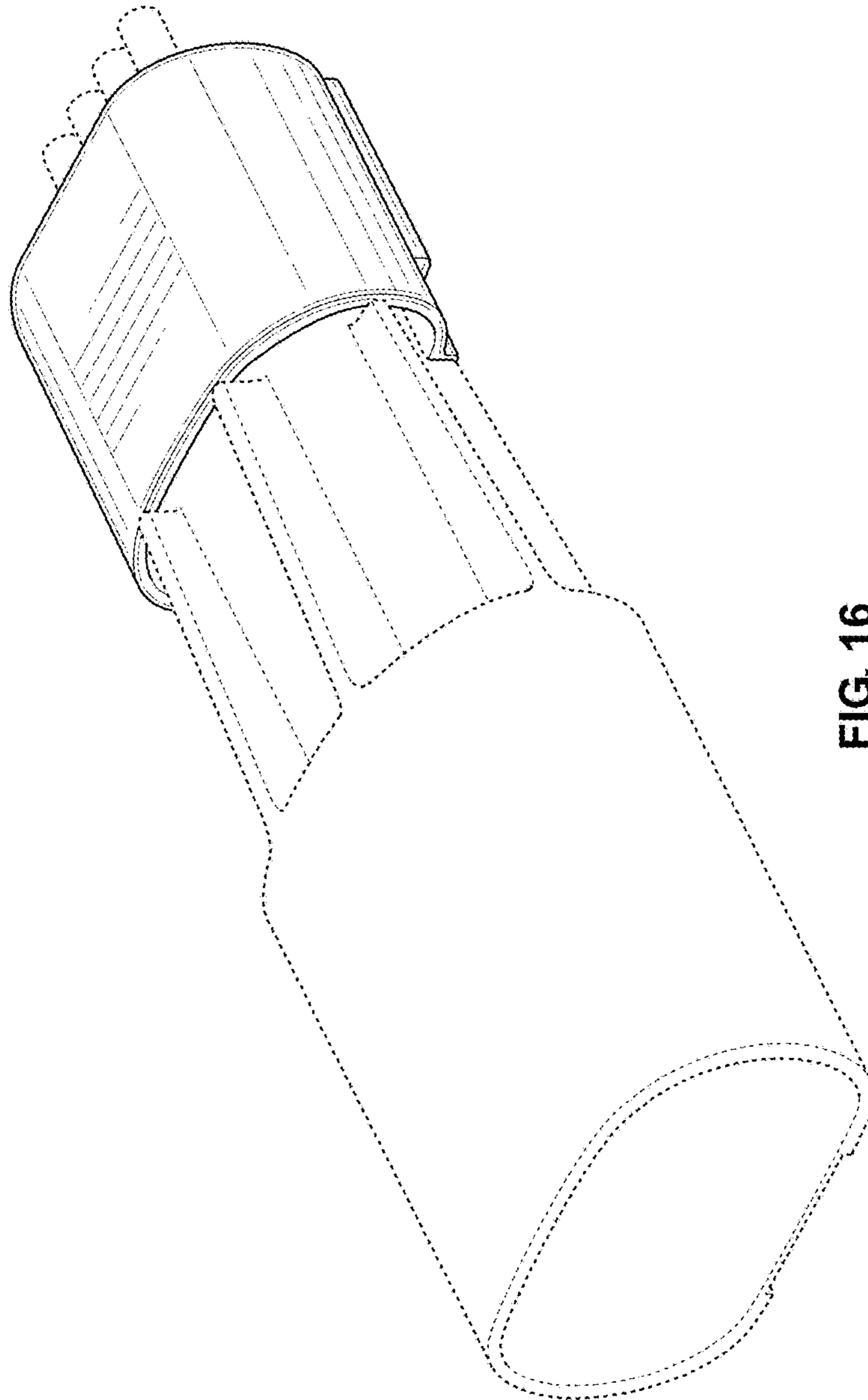


FIG. 16

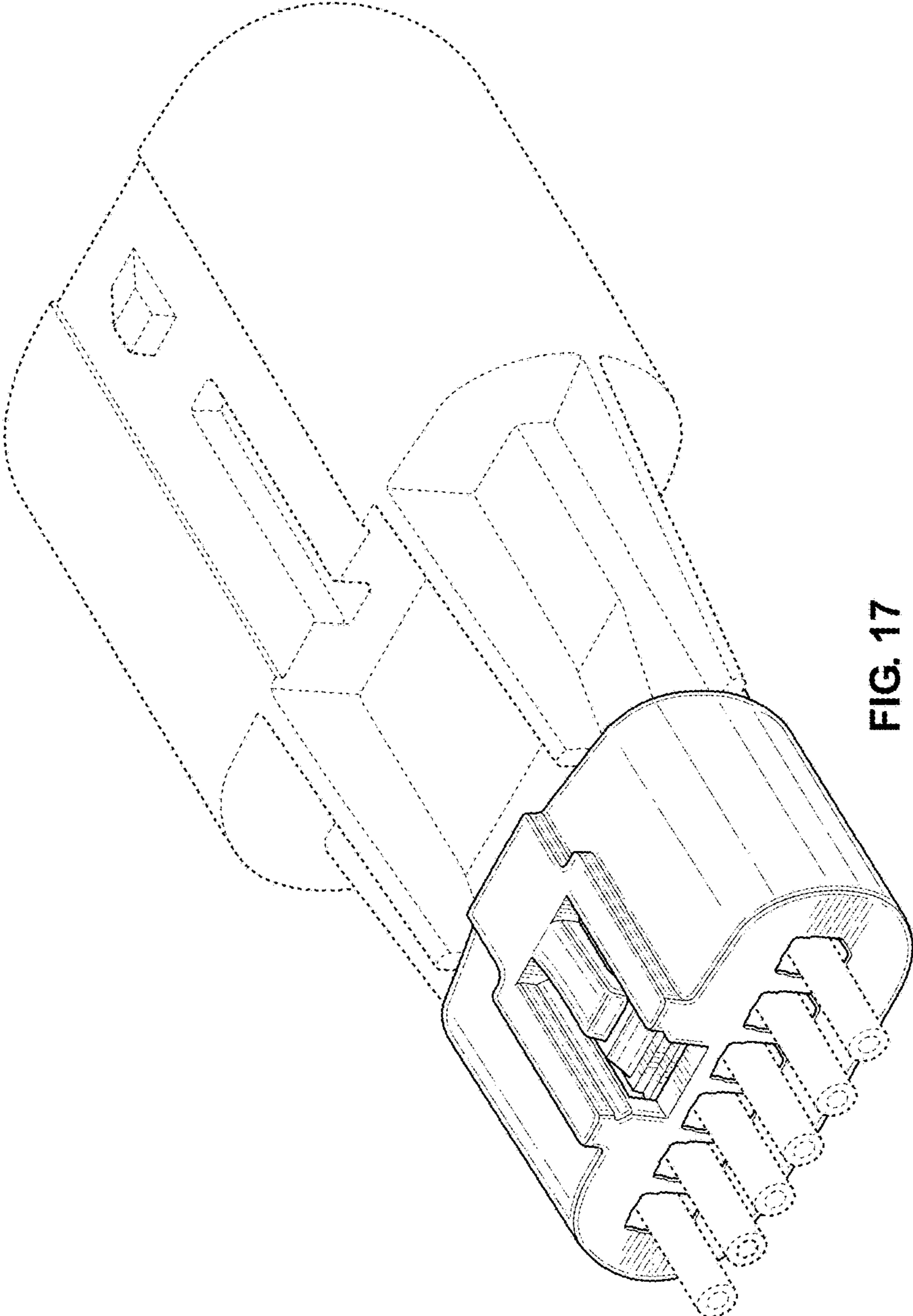


FIG. 17

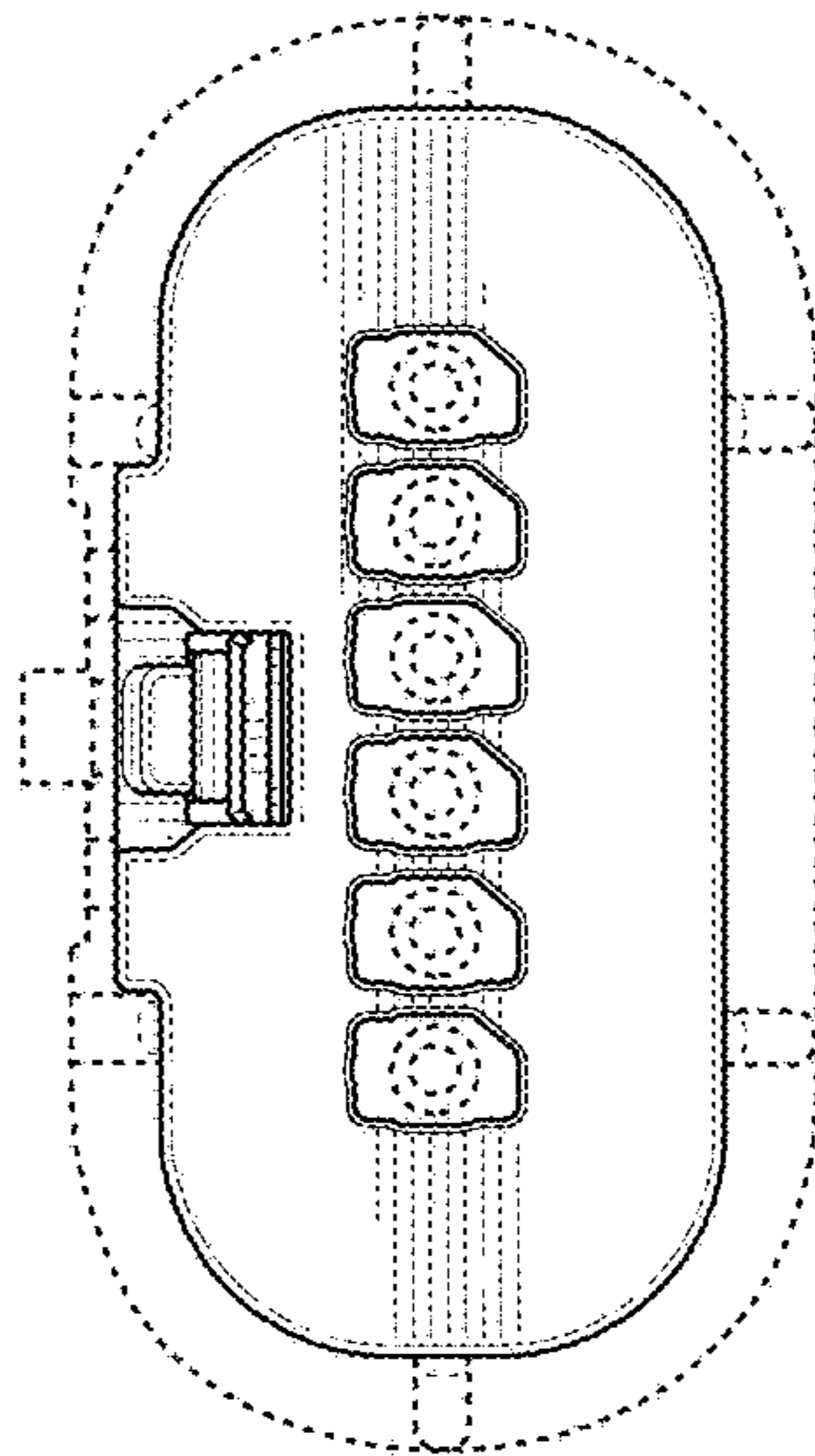


FIG. 18

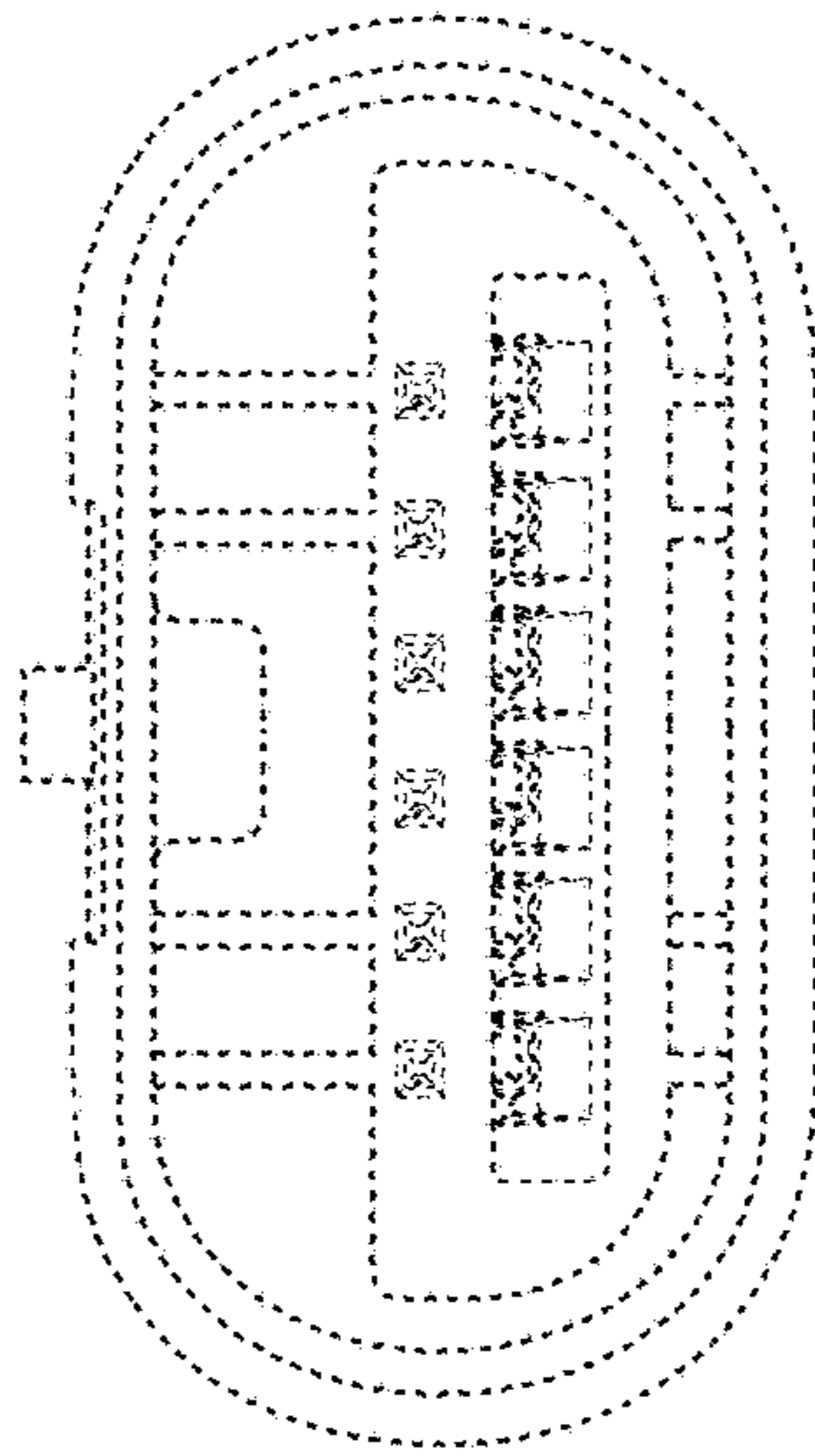


FIG. 19

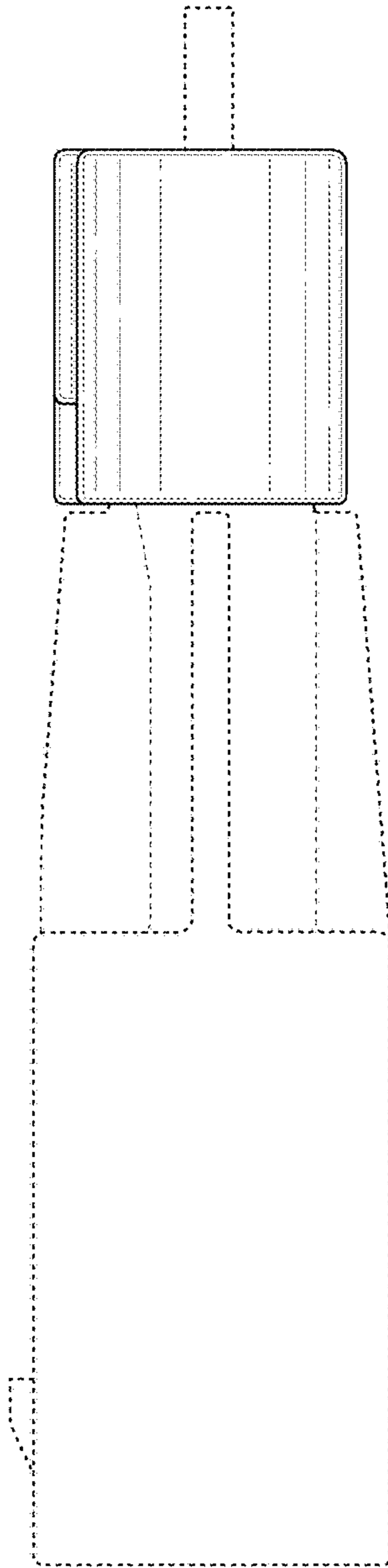


FIG. 20

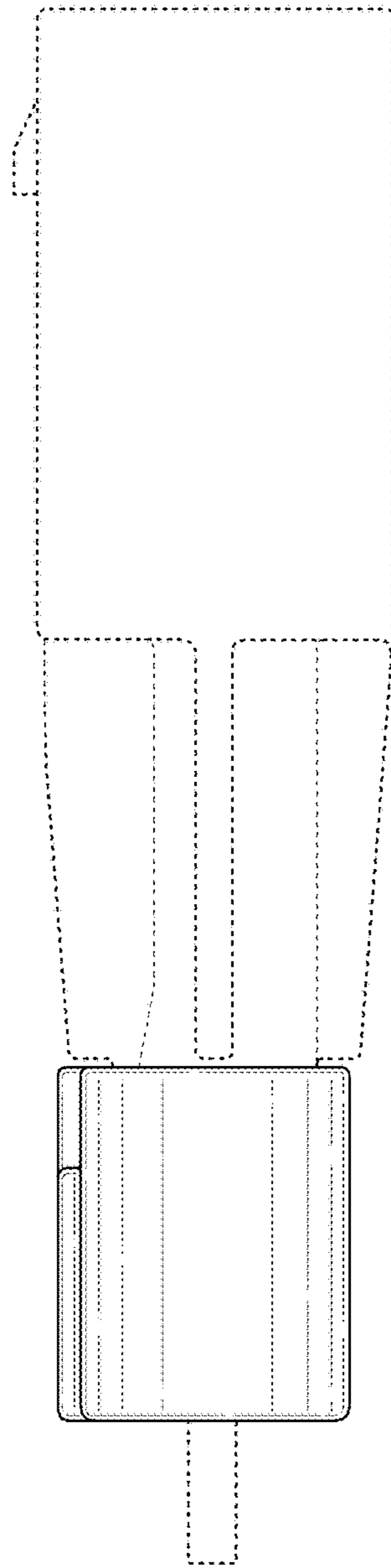


FIG. 21

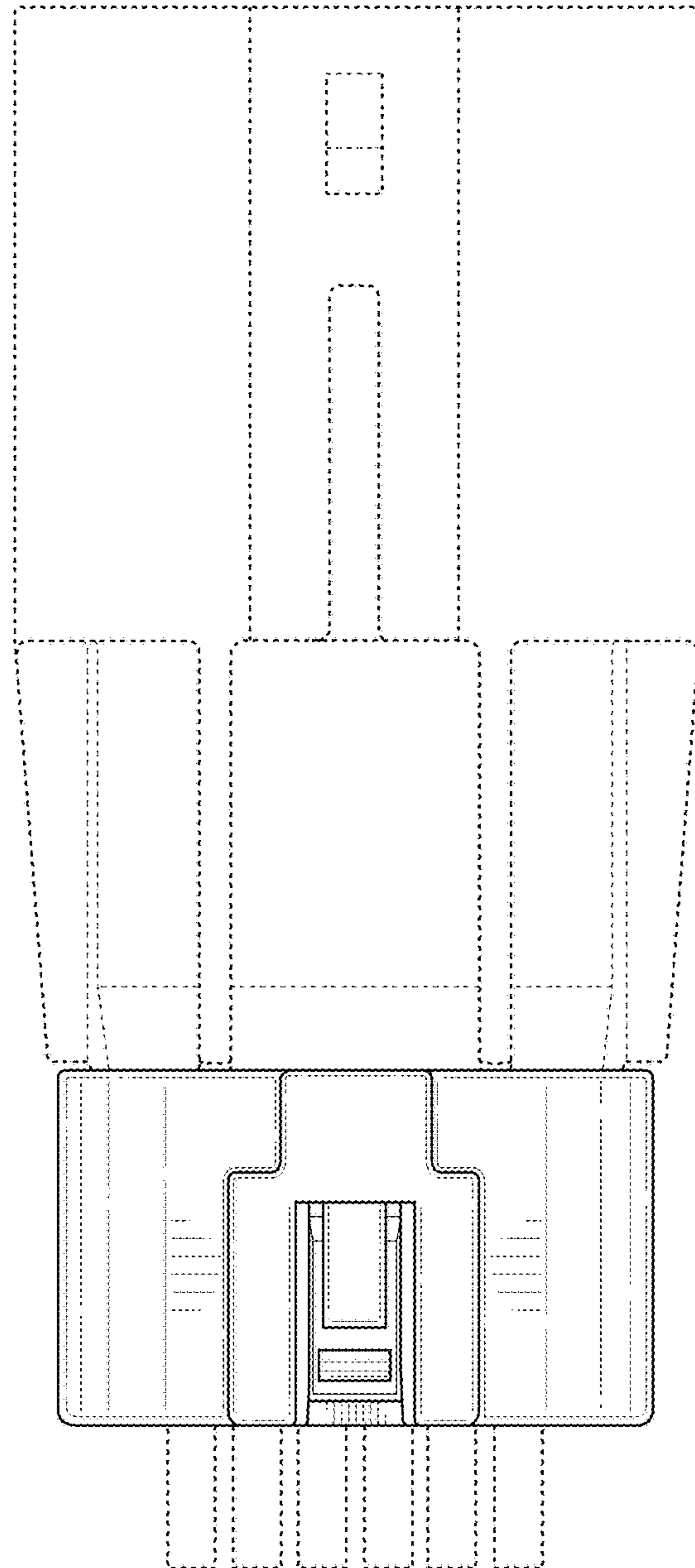


FIG. 22

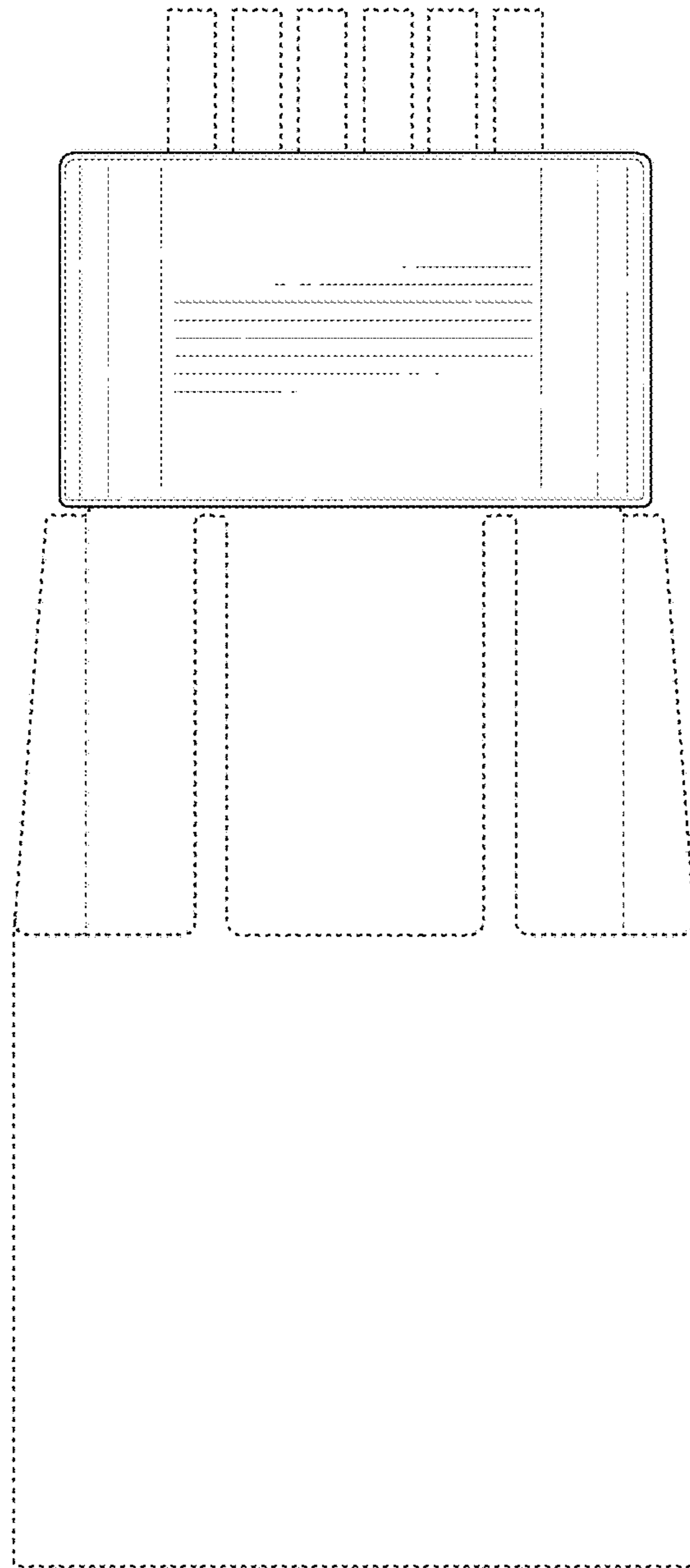


FIG. 23

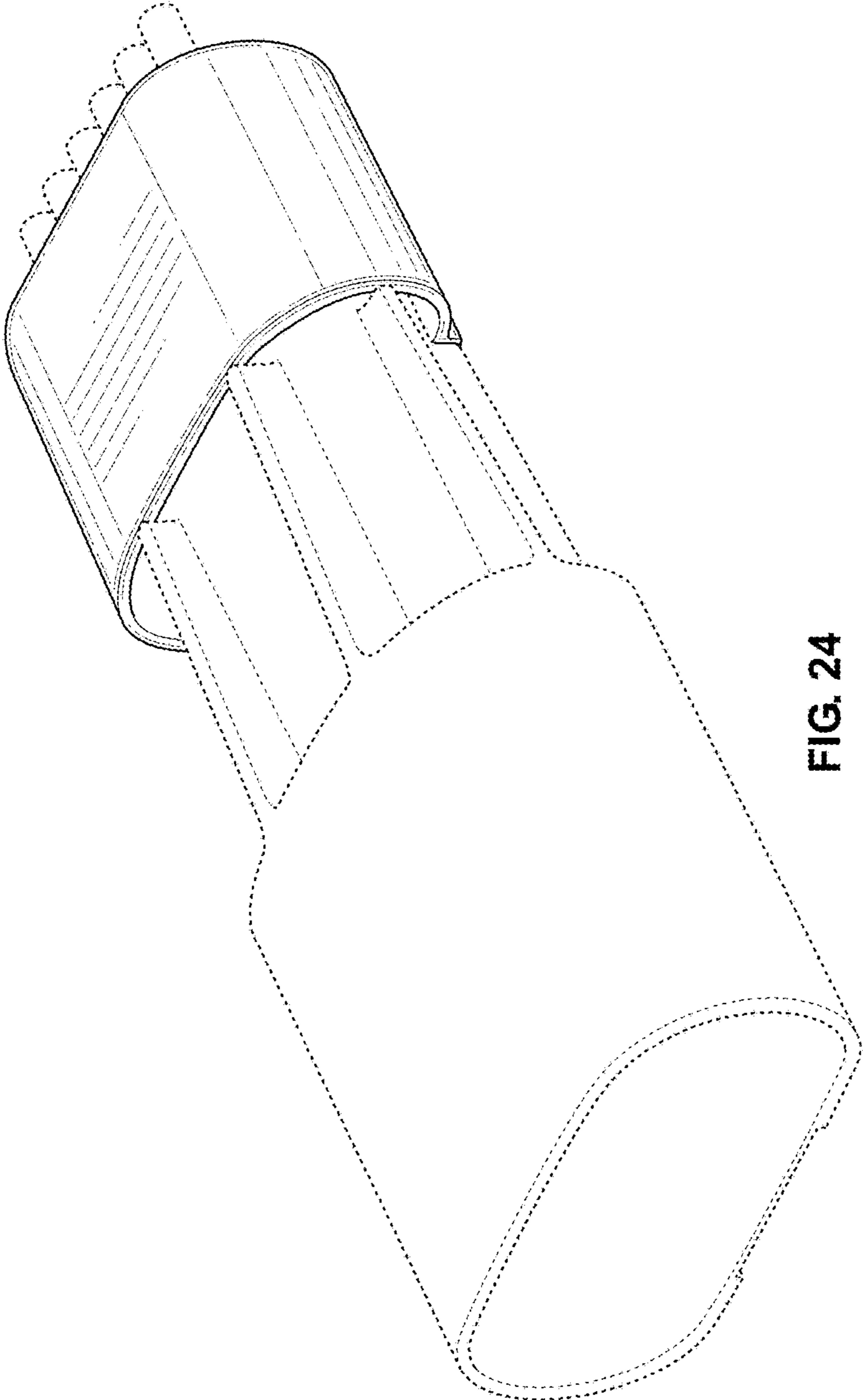


FIG. 24

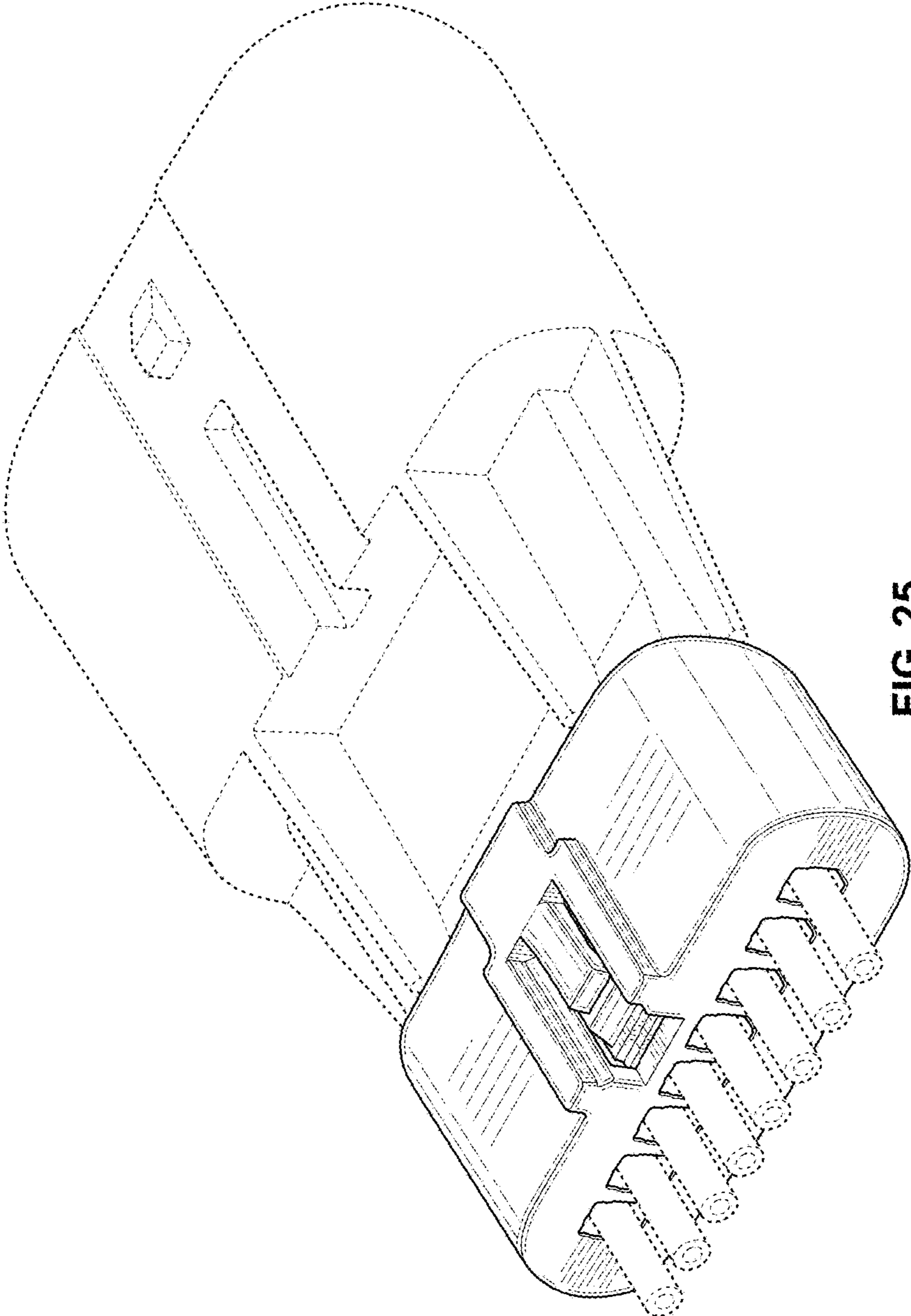


FIG. 25

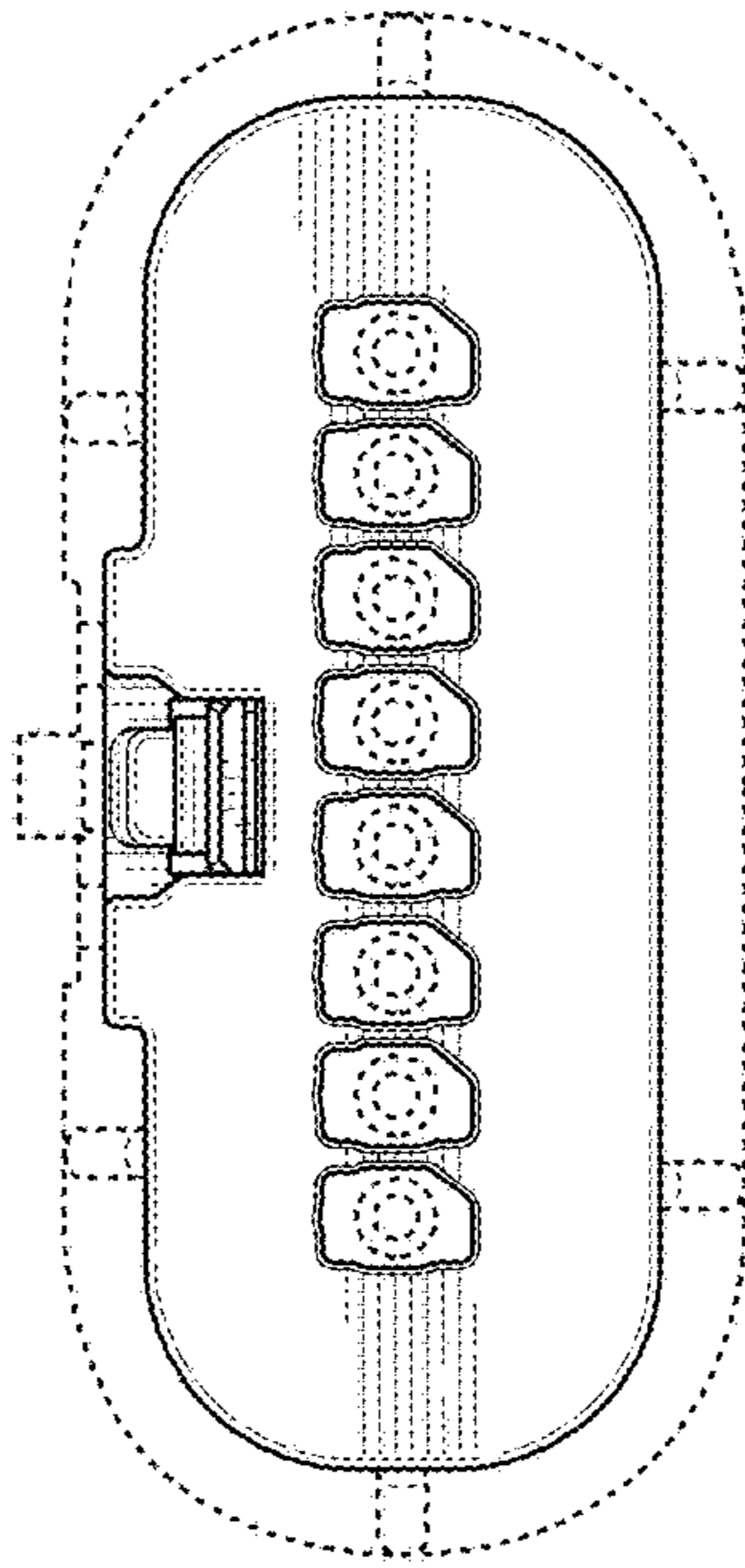


FIG. 26

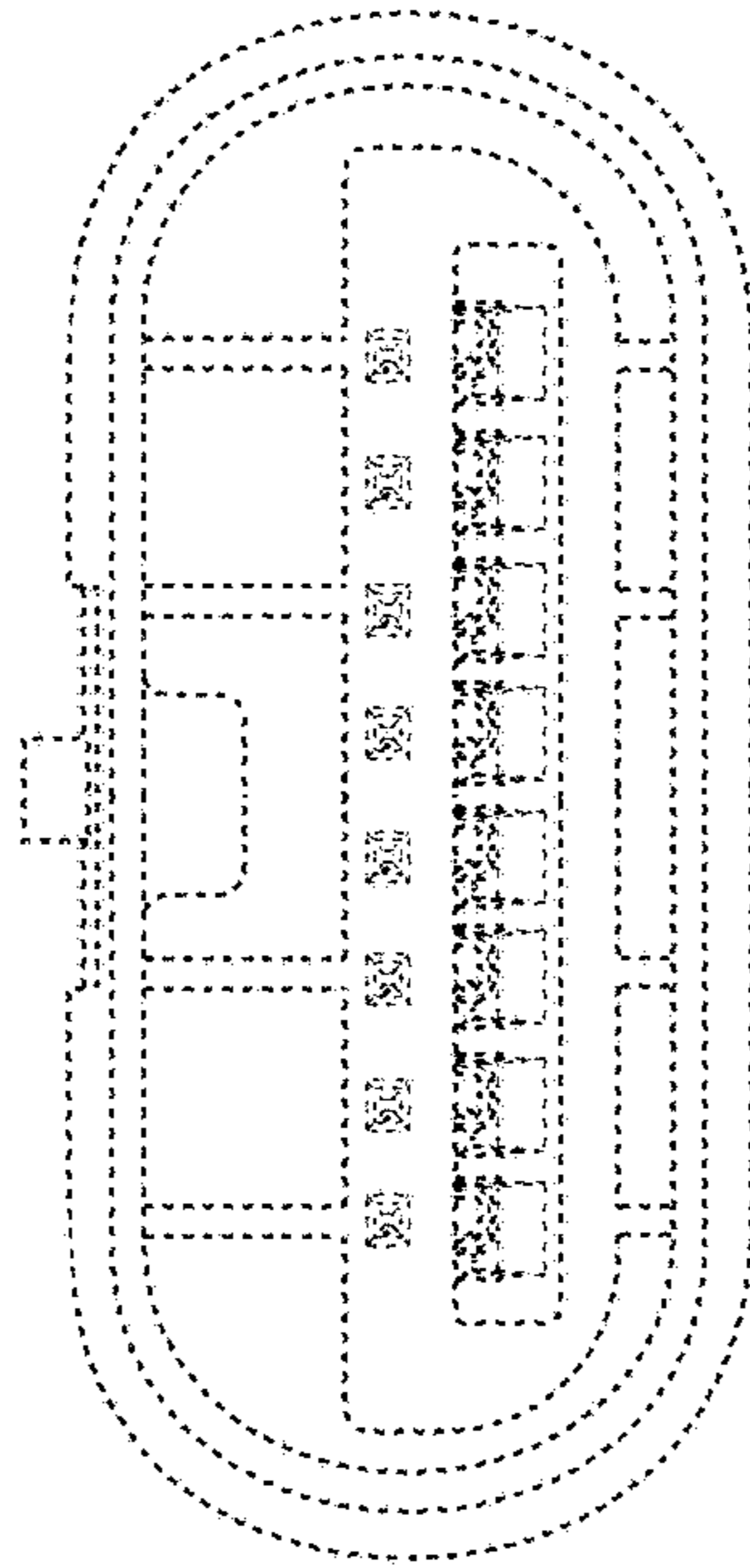


FIG. 27

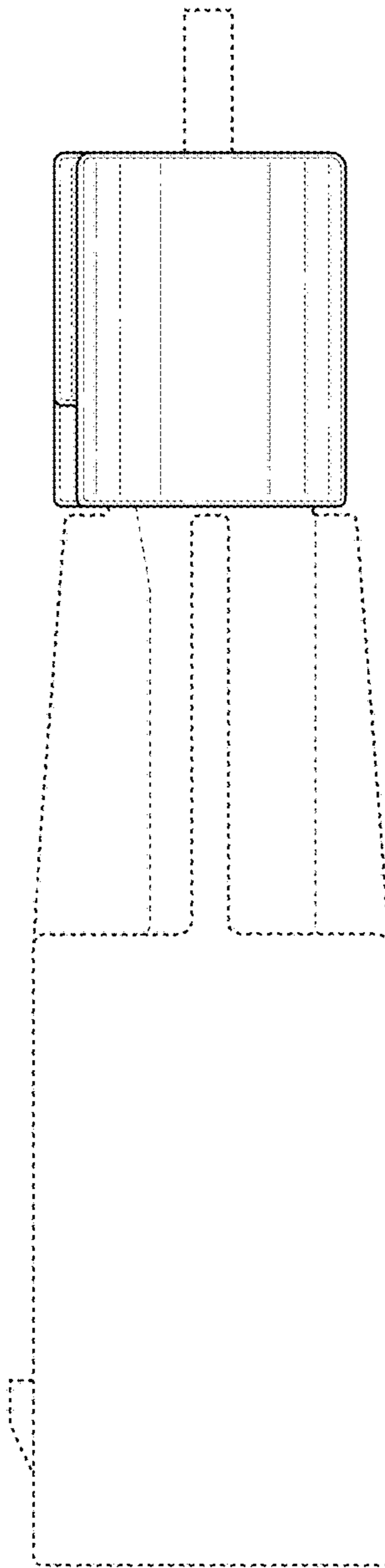


FIG. 28

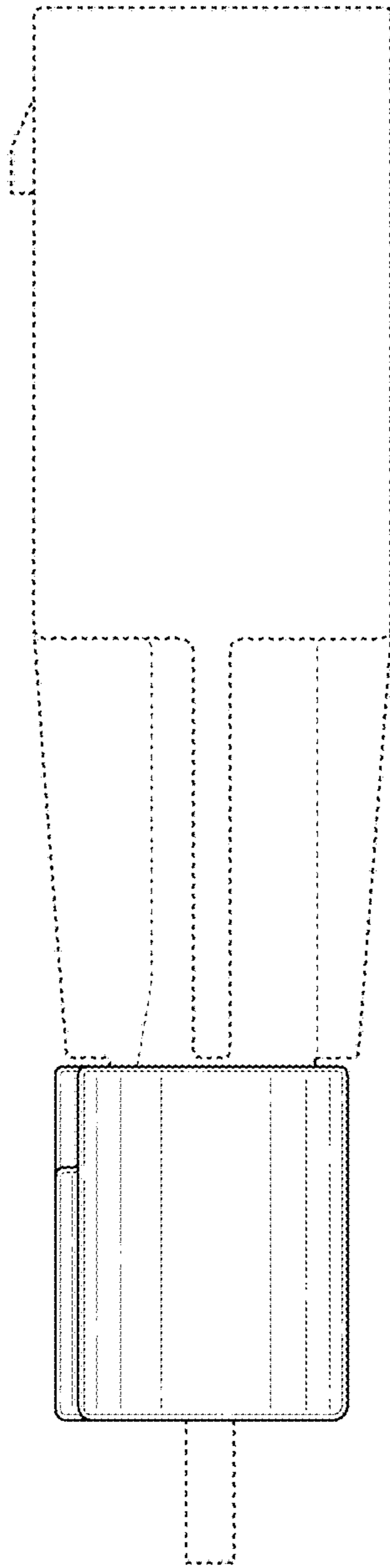


FIG. 29

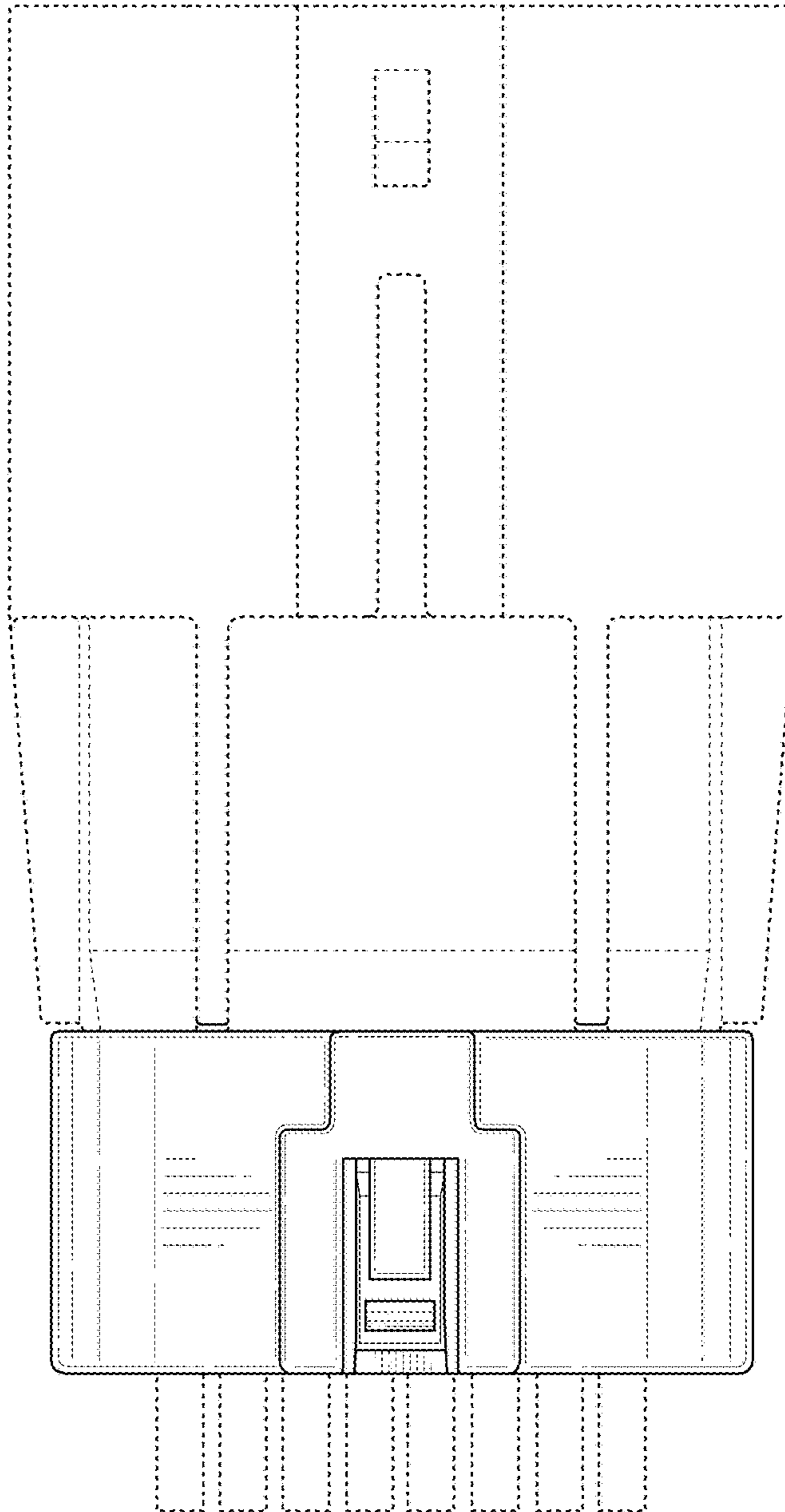


FIG. 30

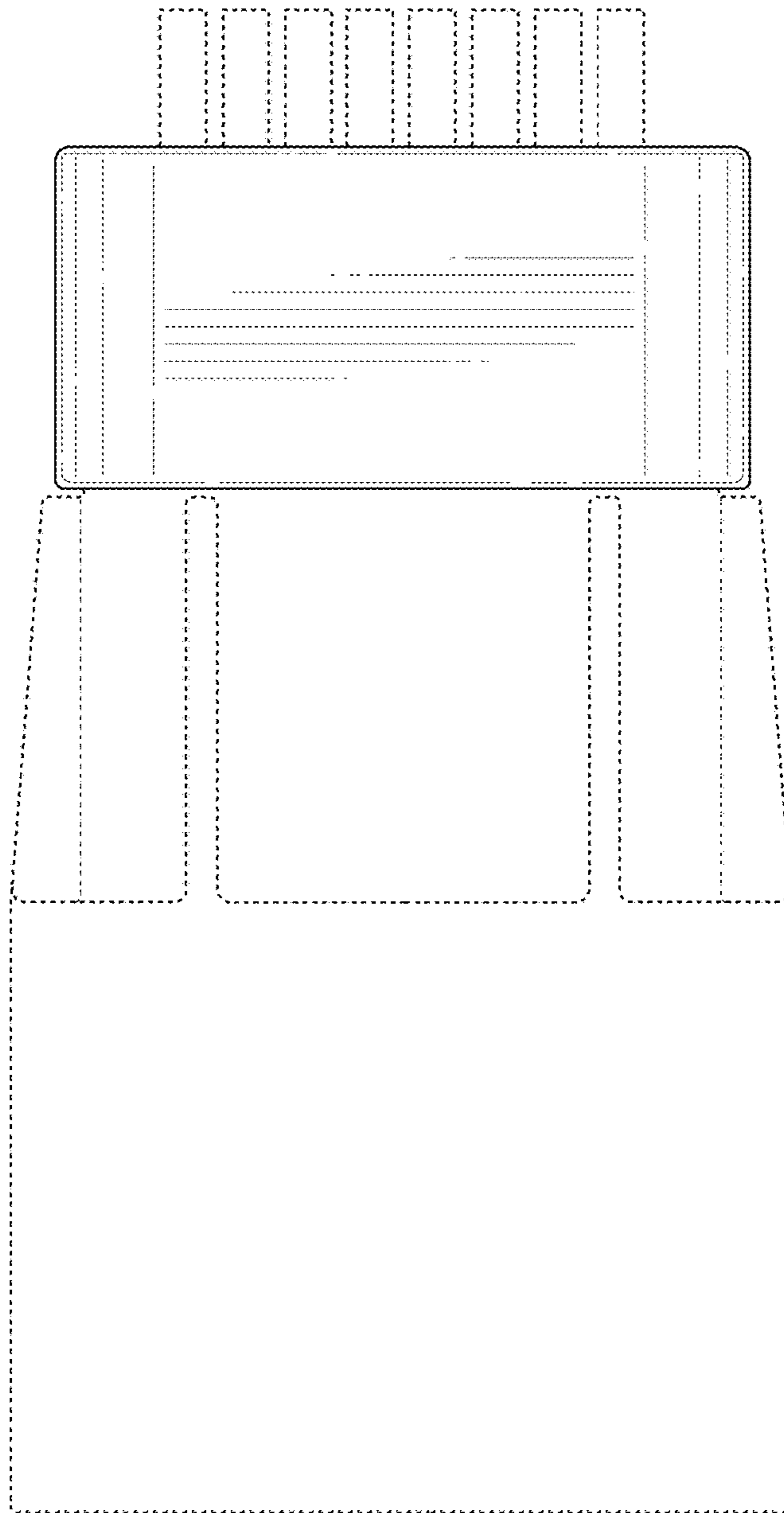


FIG. 31

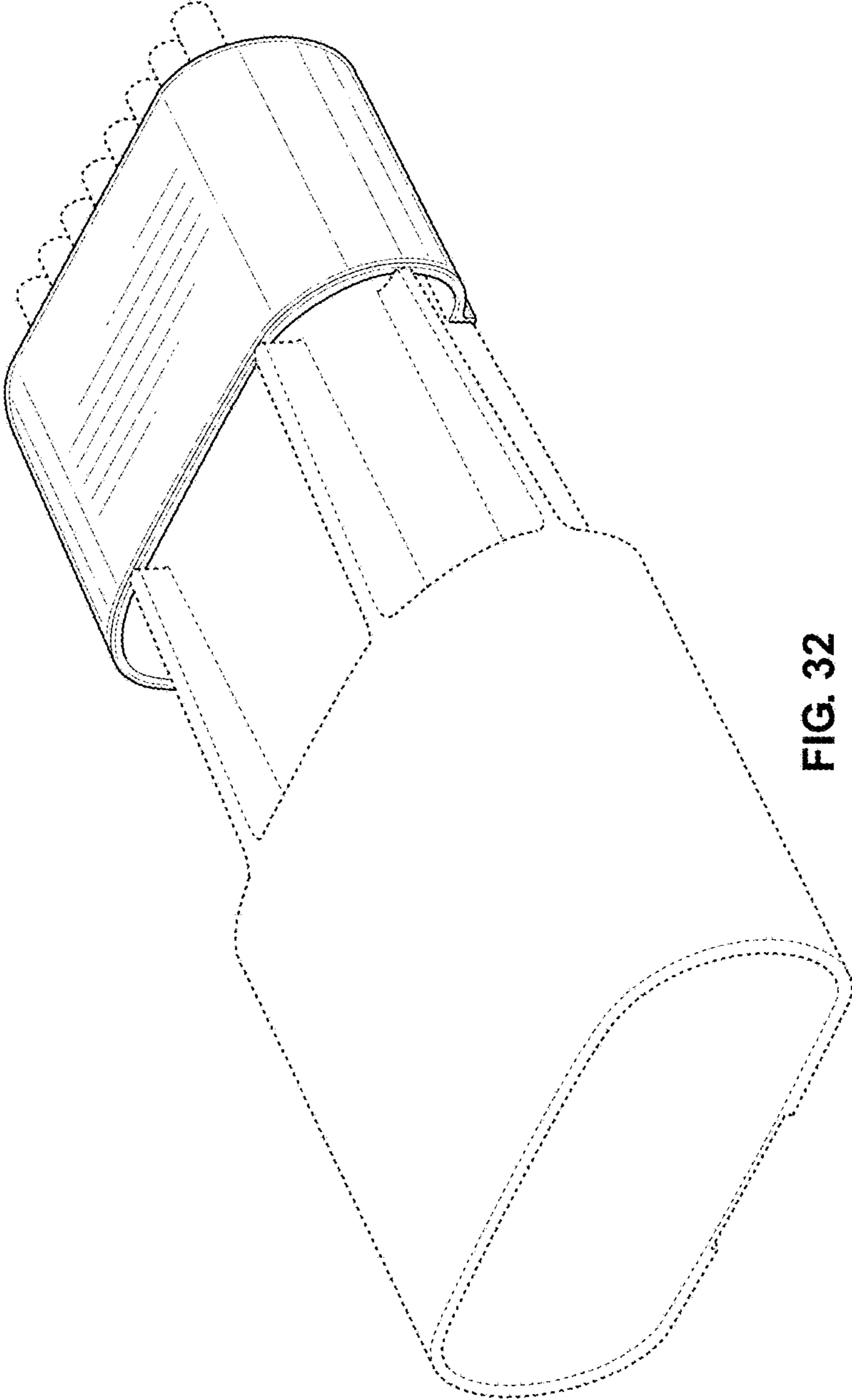


FIG. 32

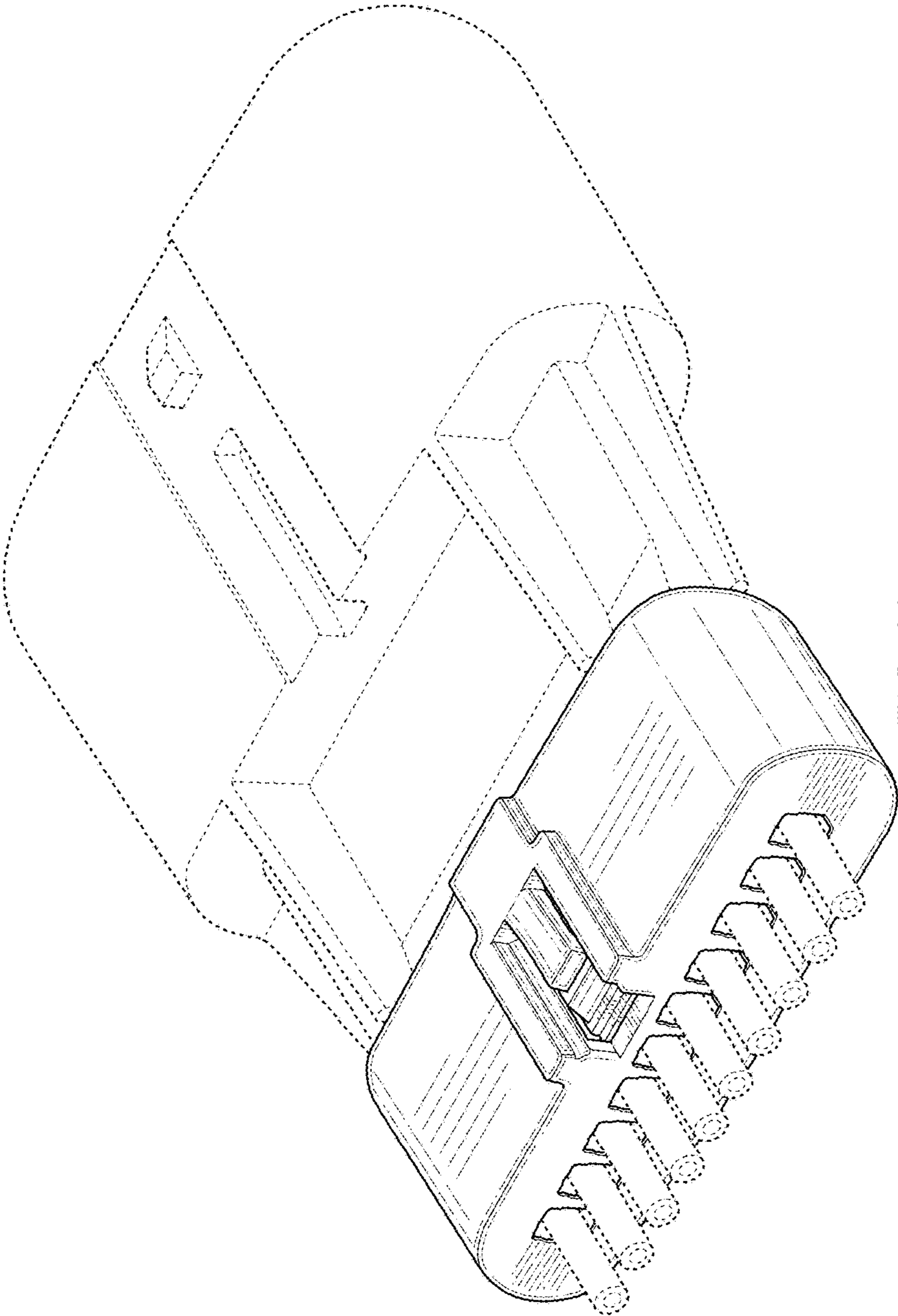


FIG. 33

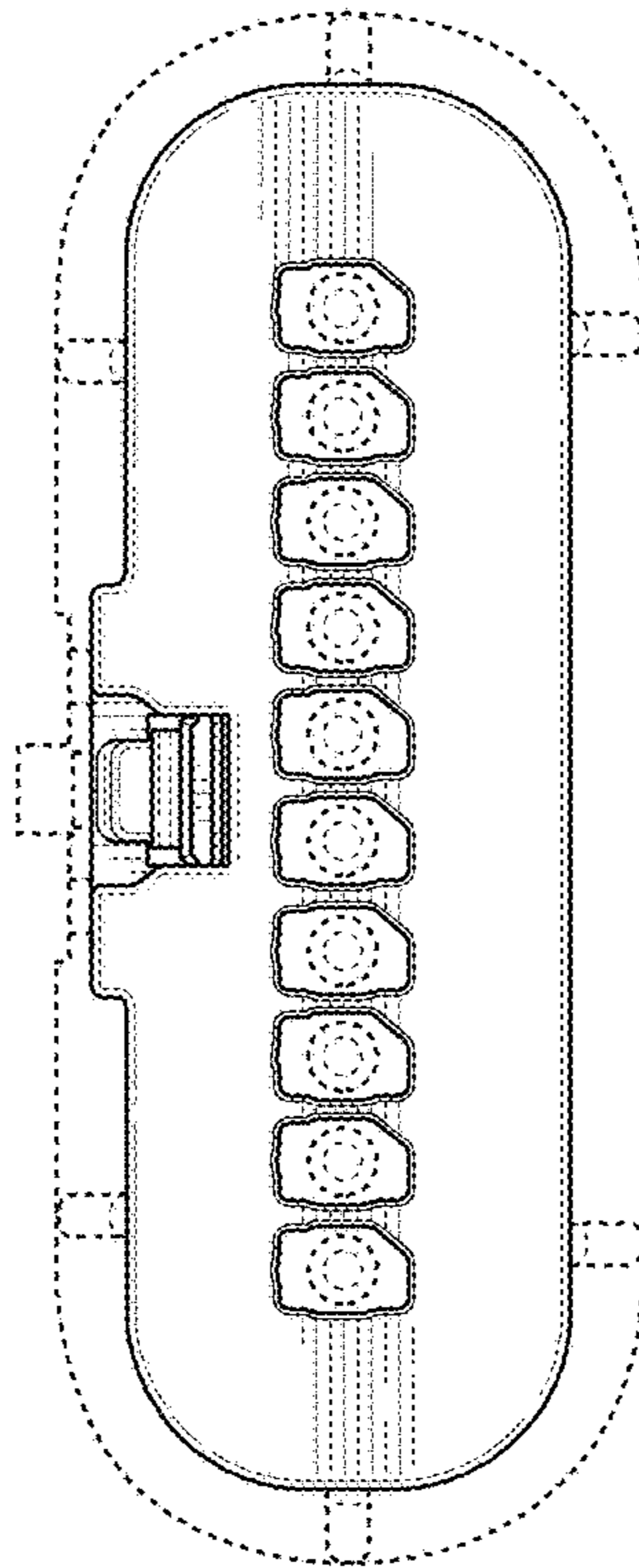


FIG. 34

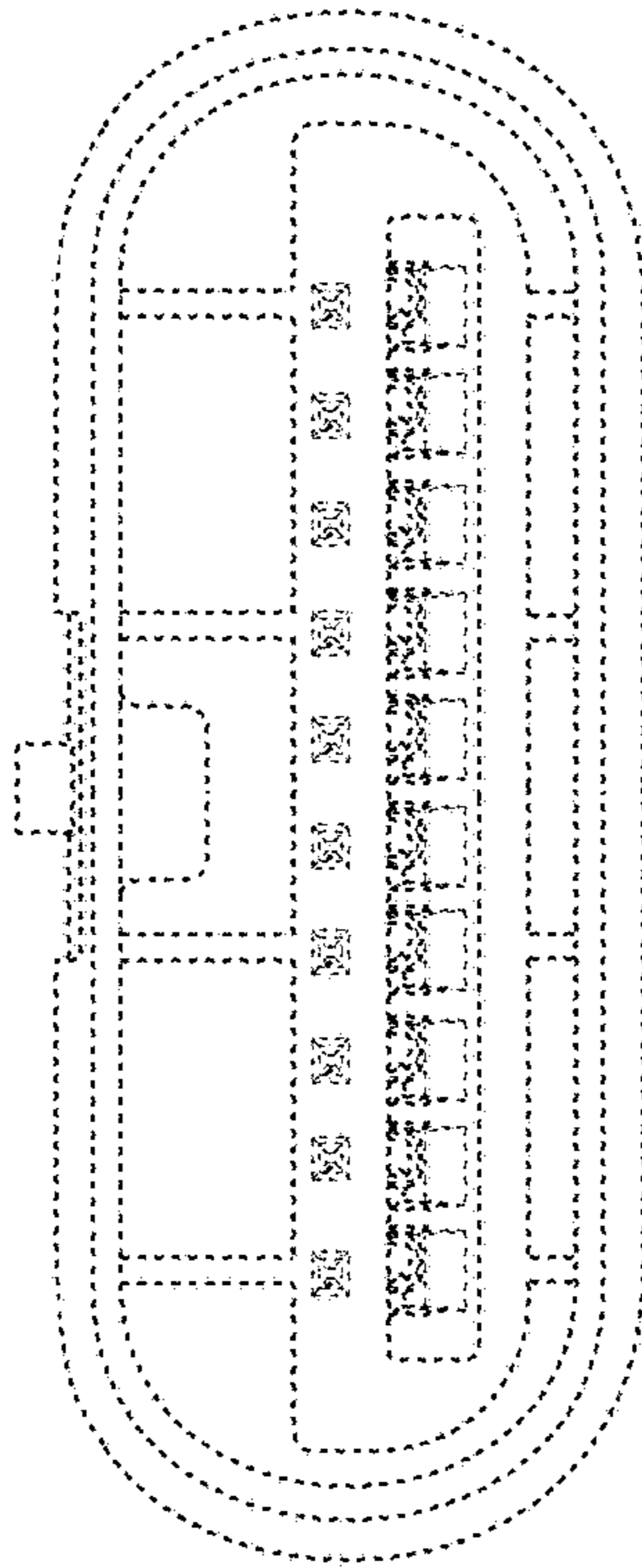


FIG. 35

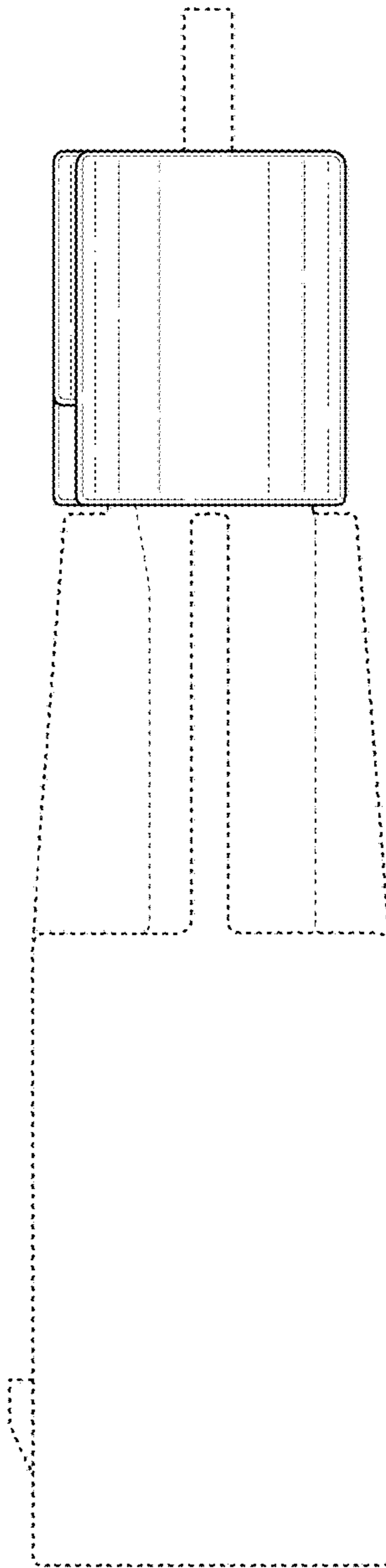


FIG. 36

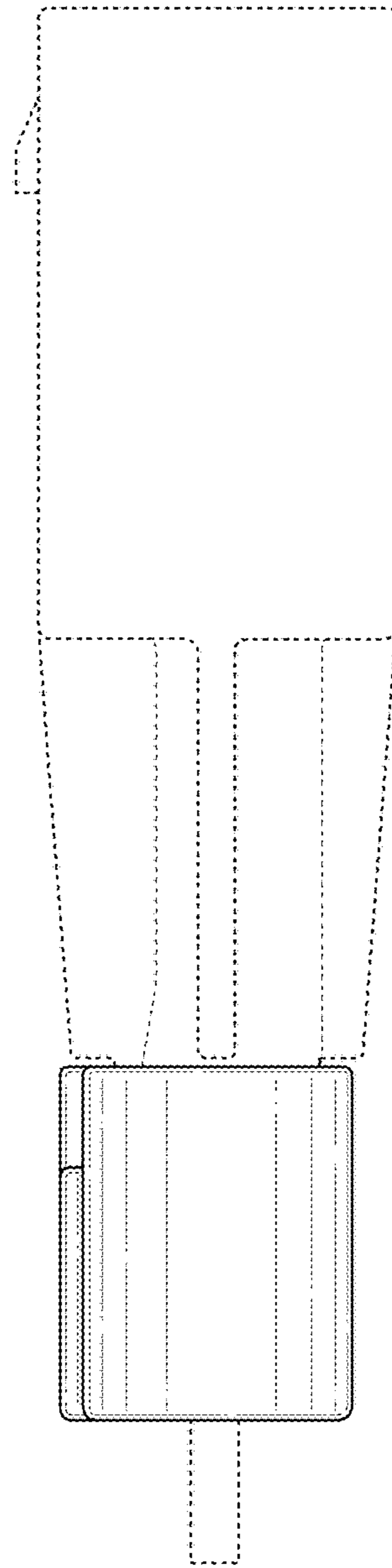


FIG. 37

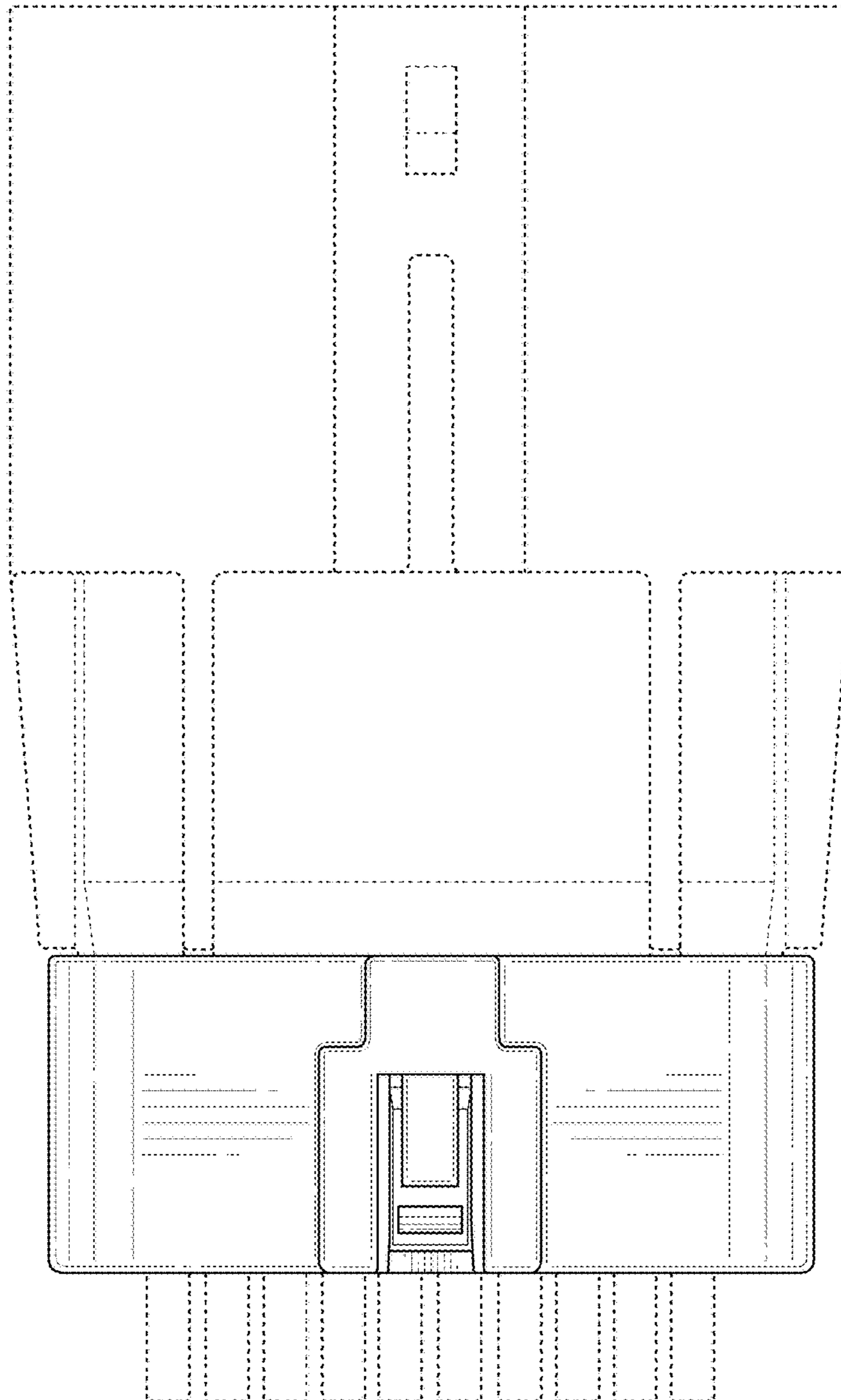


FIG. 38

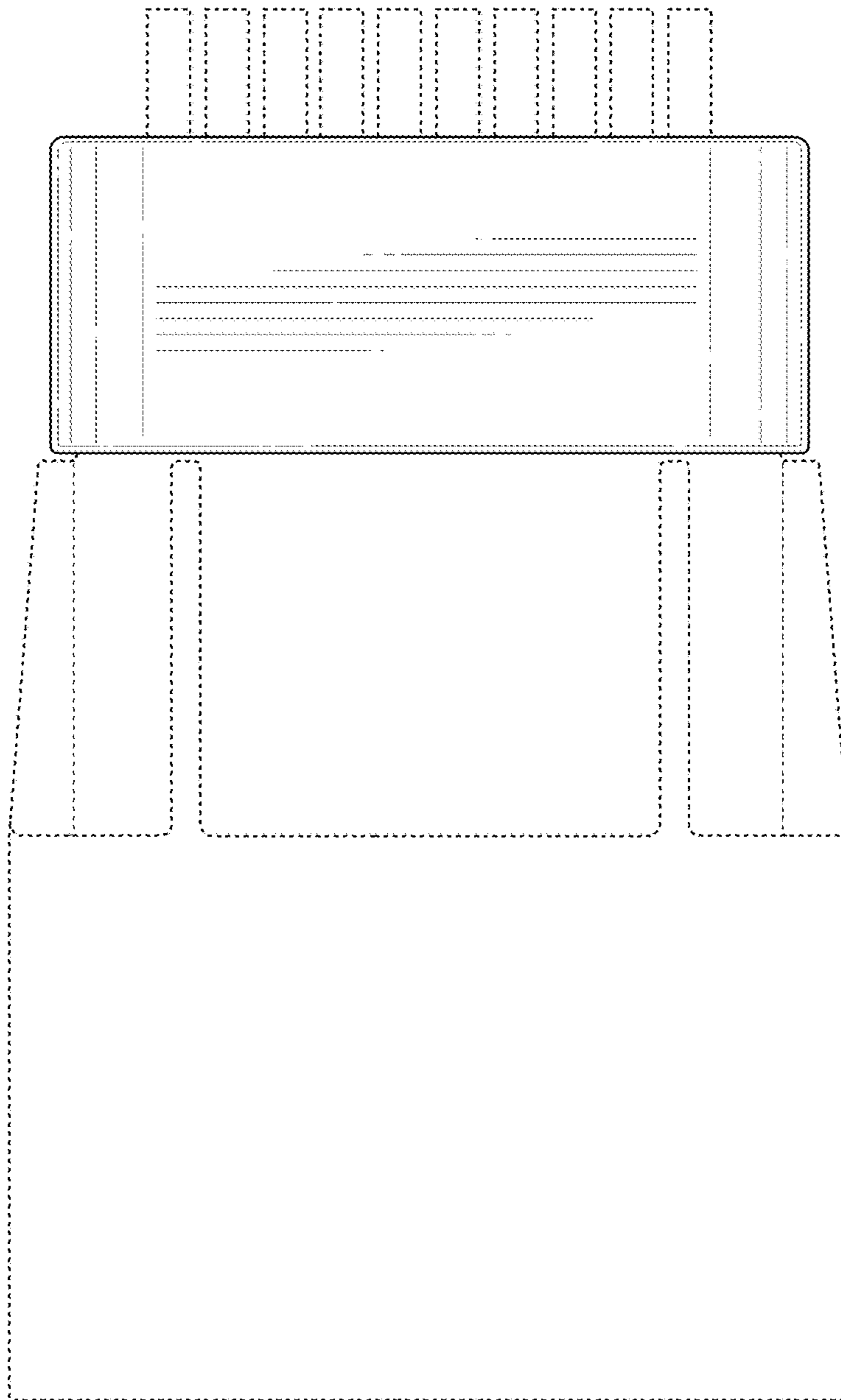


FIG. 39

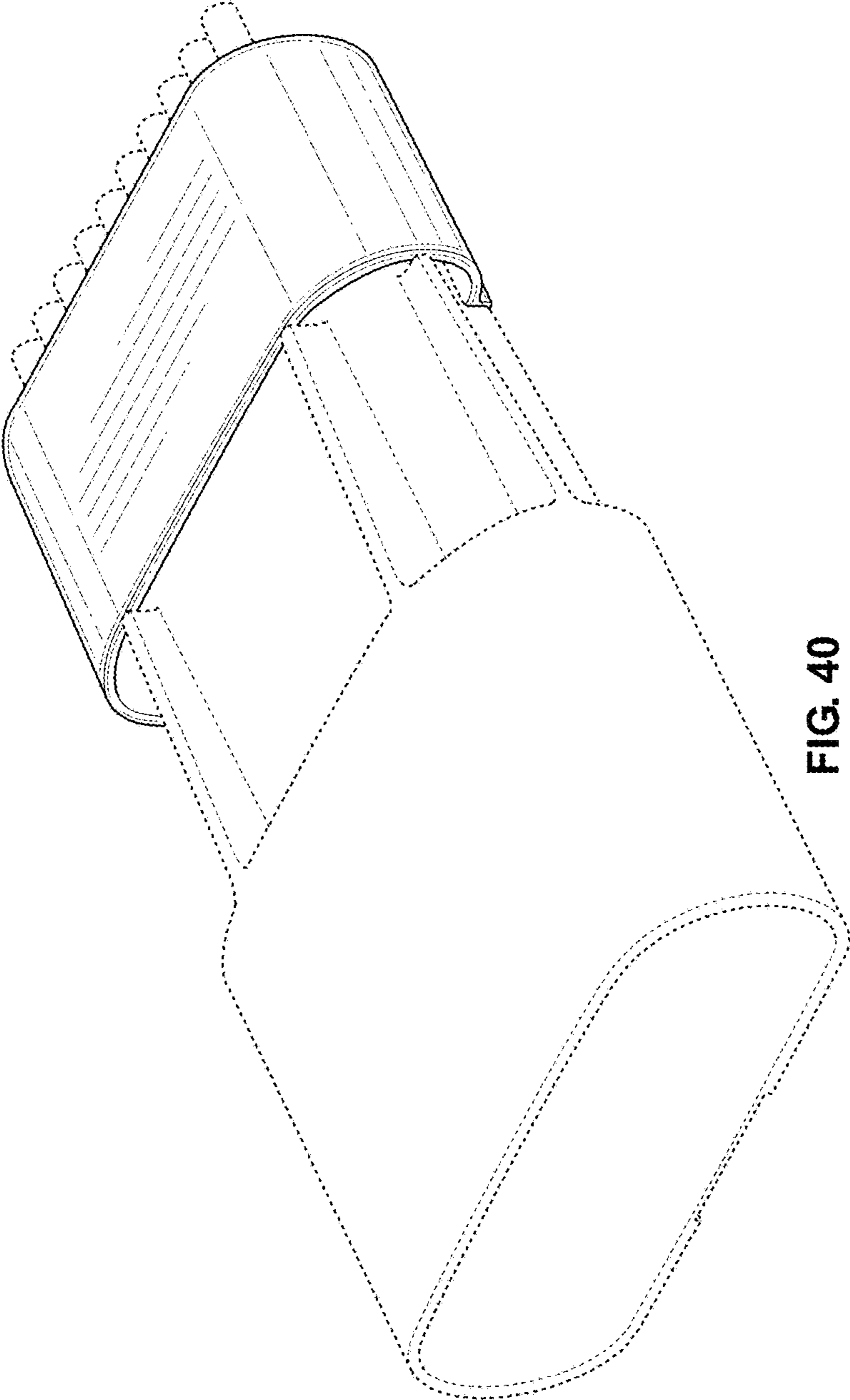


FIG. 40