



US00D848373S

(12) **United States Design Patent**
Ramakrishna Gowda et al.

(10) **Patent No.:** **US D848,373 S**

(45) **Date of Patent:** **** May 14, 2019**

(54) **CONNECTOR**

(71) Applicant: **Molex, LLC**, Lisle, IL (US)

(72) Inventors: **Manohara Ramakrishna Gowda**,
Bangalore (IN); **Ishwarappa**
Ganamukhi, Bangalore (IN);
KrishnaPrasad Somanath, Lisle, IL
(US); **Joseph Comerci**, Lisle, IL (US);
Michael Gonzalez, Lisle, IL (US)

(73) Assignee: **Molex, LLC**, Lisle, IL (US)

(**) Term: **15 Years**

(21) Appl. No.: **29/654,682**

(22) Filed: **Jun. 26, 2018**

Related U.S. Application Data

(63) Continuation of application No. 29/583,430, filed on
Nov. 4, 2016, now Pat. No. Des. 821,979.

(51) **LOC (11) Cl.** **13-03**

(52) **U.S. Cl.**
USPC **D13/146**

(58) **Field of Classification Search**
USPC D13/110, 118-123, 125, 126, 133-136,
D13/146, 147, 149, 151, 154, 155, 156,
D13/173, 178, 184, 199
CPC ... H01R 4/00; H01R 4/24; H01R 4/64; H01R
4/66; H01R 9/03; H01R 9/05; H01R
13/62; H01R 13/64; H01R 13/65; H01R
13/68; H01R 25/00; H02G 3/00; H02G
3/06; H02G 3/18
See application file for complete search history.

(56) **References Cited**

U.S. PATENT DOCUMENTS

D235,552 S * 6/1975 Derr et al. D13/146
D472,523 S 4/2003 Hansen
D639,744 S 6/2011 Smith et al.

7,973,241 B2 7/2011 Evoniuk et al.
8,242,369 B2 8/2012 Kiely et al.
D733,057 S * 6/2015 Amano D13/147
D750,570 S 3/2016 Smith
D751,043 S 3/2016 Smith
D755,728 S 5/2016 Smith
D755,729 S 5/2016 Smith
D821,979 S 7/2018 Ramakrishna Gowda et al.

(Continued)

OTHER PUBLICATIONS

Solderable Lucas-Type Bullet and Spade Connectors by britbike.
com, dated Mar. 21, 2016, (online), (site visited Sep. 26, 2018)
Available from Internet, <URL: <http://britbike.com/forums/
ubbthreads.php?ubb=showflat&Number=644857&page=all>> (Year:
2016).

(Continued)

Primary Examiner — Angela J Lee

Assistant Examiner — Shawn T Gingrich

(74) *Attorney, Agent, or Firm* — Banner & Witcoff, Ltd.

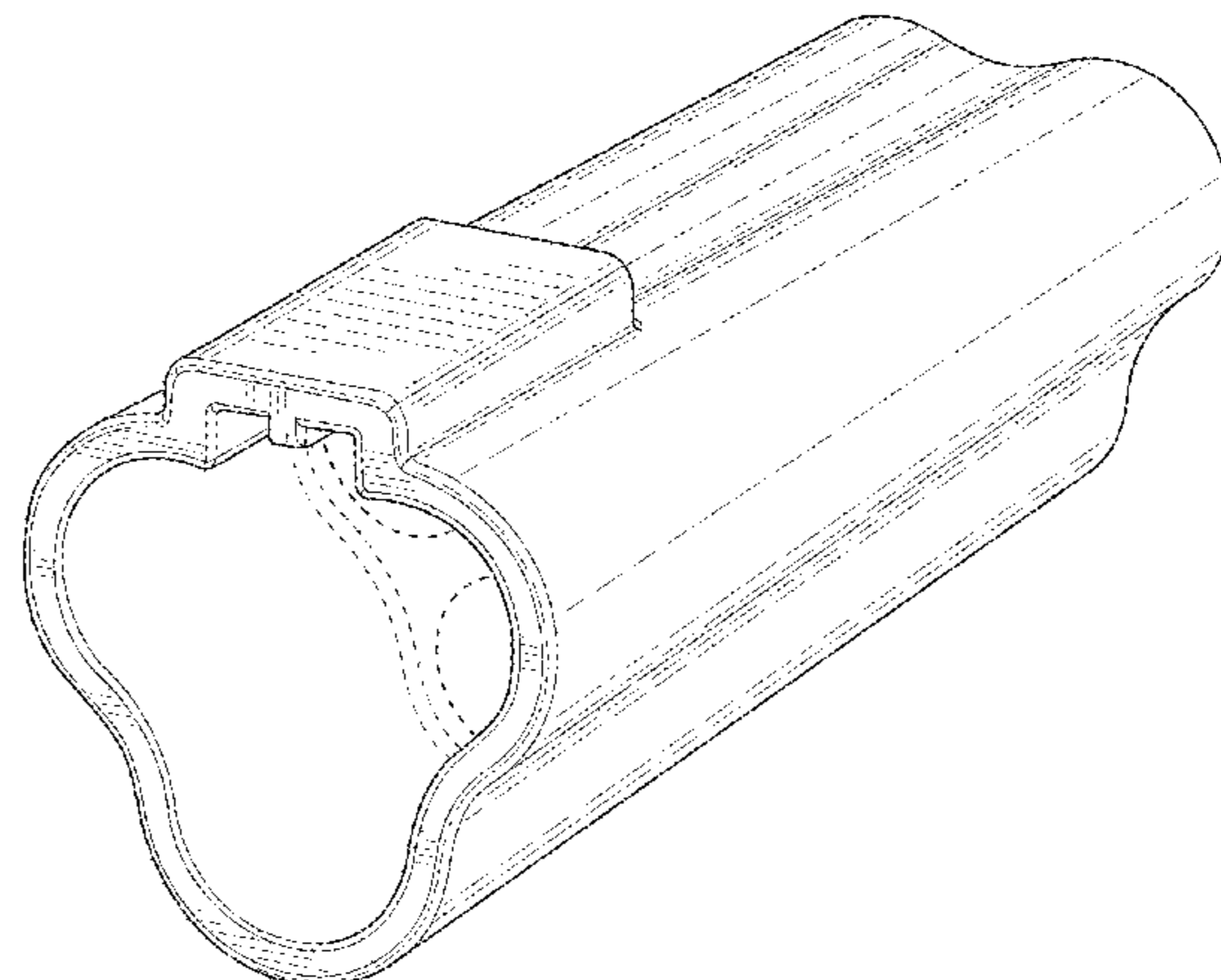
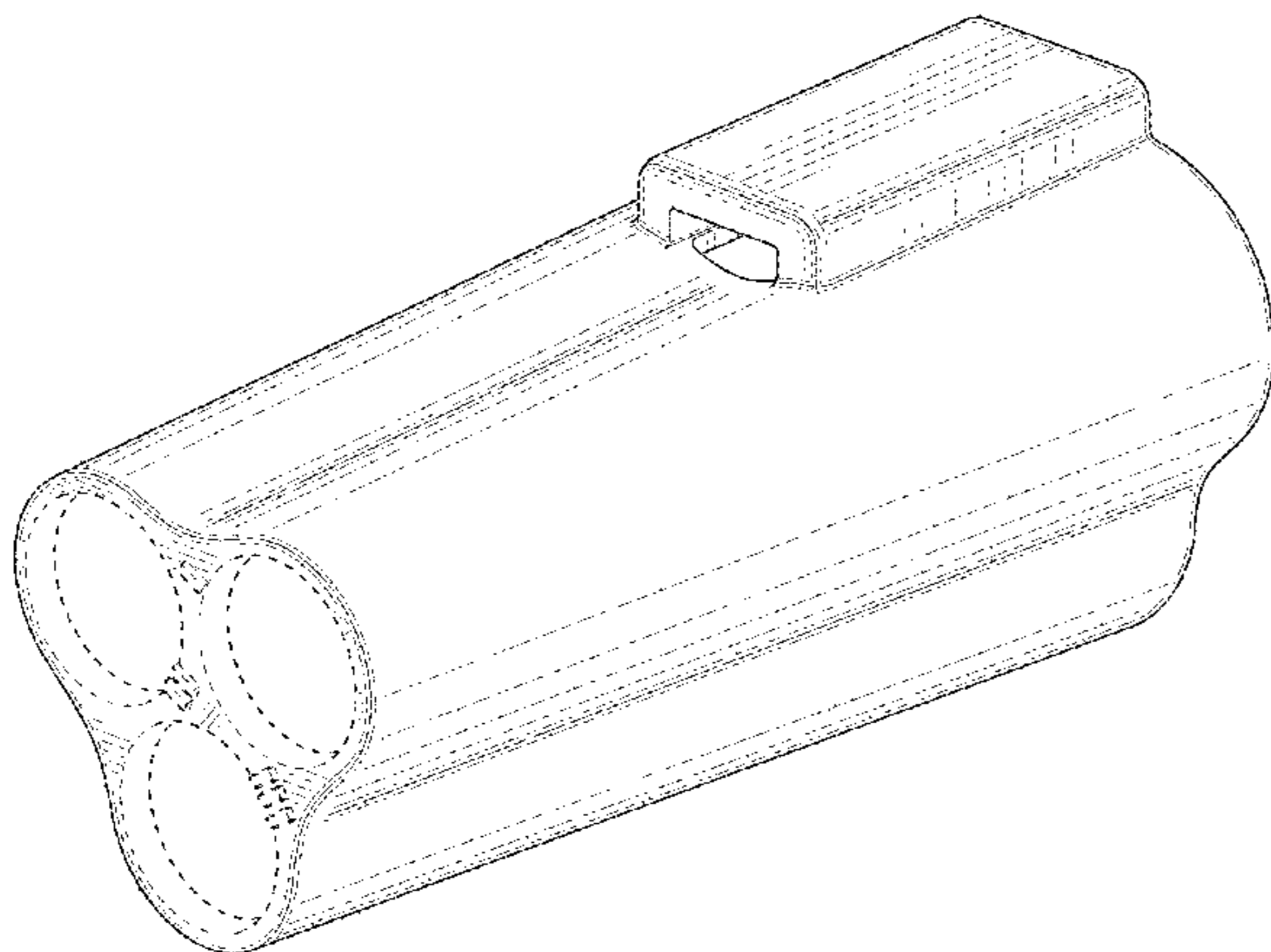
(57) **CLAIM**

The ornamental design for a connector, as shown and
described.

DESCRIPTION

FIG. 1 is a front perspective view of a connector showing
our new design;
FIG. 2 is a right side view thereof;
FIG. 3 is a top view thereof;
FIG. 4 is a left side view thereof;
FIG. 5 is a bottom view thereof;
FIG. 6 is a front view thereof;
FIG. 7 is a rear view thereof; and,
FIG. 8 is a rear perspective view thereof.
The broken lines showing various portions of the connector,
and the unshaded region therein, represent subject matter
which forms no part of the claimed design.

1 Claim, 8 Drawing Sheets



(56)

References Cited

U.S. PATENT DOCUMENTS

D822,610 S 7/2018 Ramakrishna Gowda et al.
2017/0250498 A1* 8/2017 Hodge H01R 13/5208

OTHER PUBLICATIONS

Bournemouth Bantams: My First D4 Sport Saga, dated May 27, 2018 Conline, lsite visited Sep. 26, 2018. Ava'lable from Internet, <URL: <<https://www.tapatalk.com/groups/bournemouthbantams/my-first-d14-s-port-saga-t146-s90.html>>> (Year: 2018).

* cited by examiner

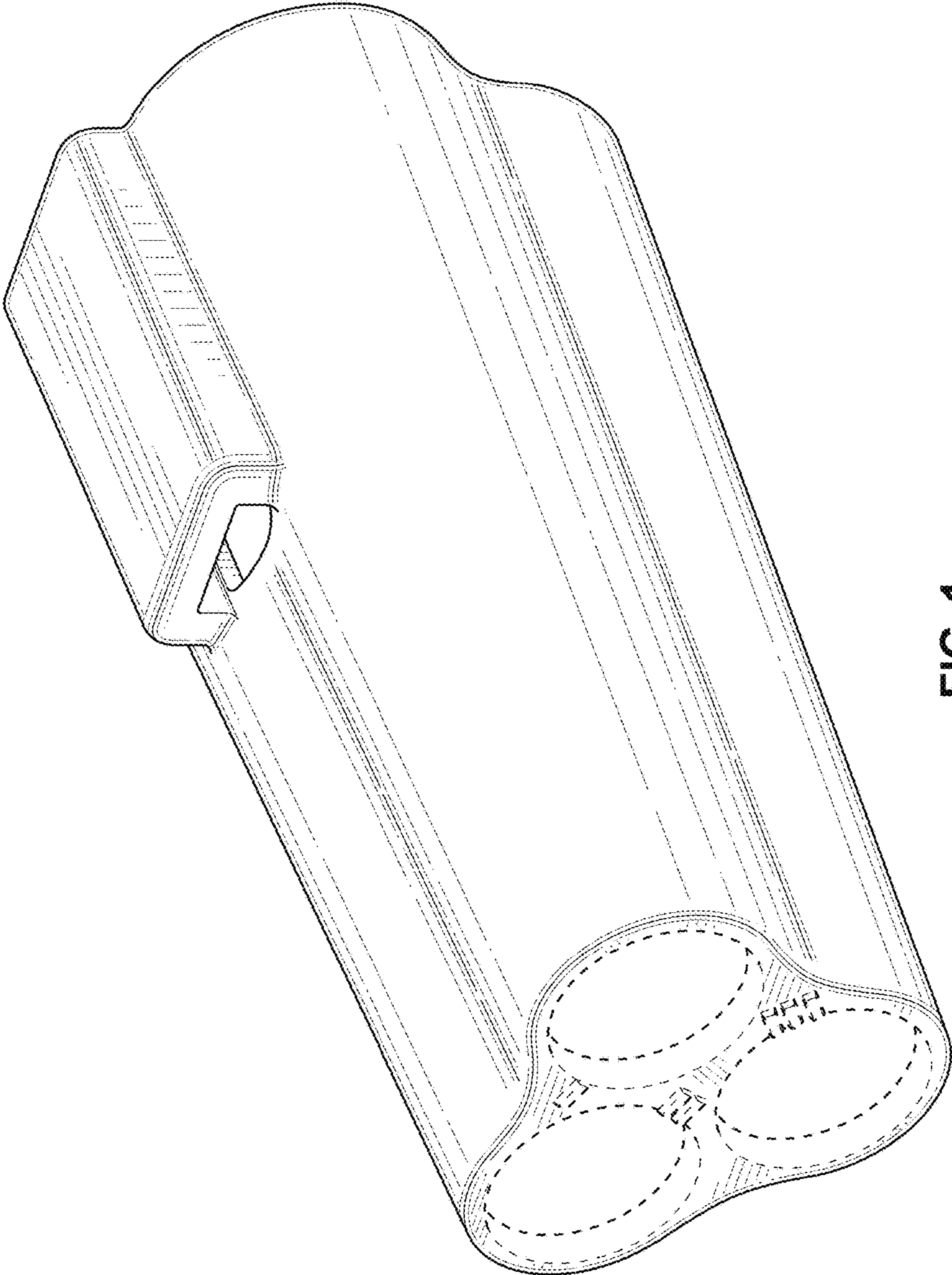


FIG. 1

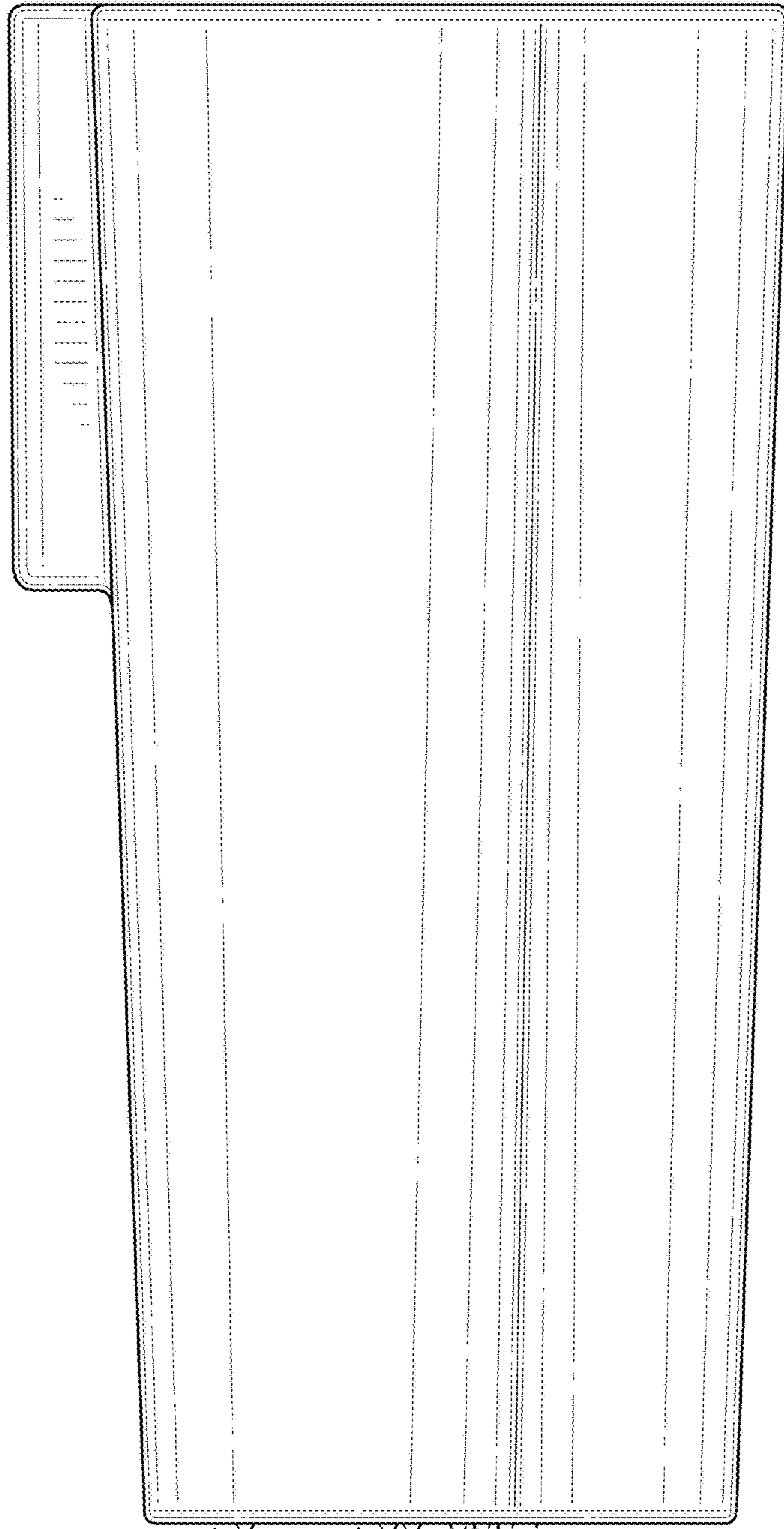


FIG. 2

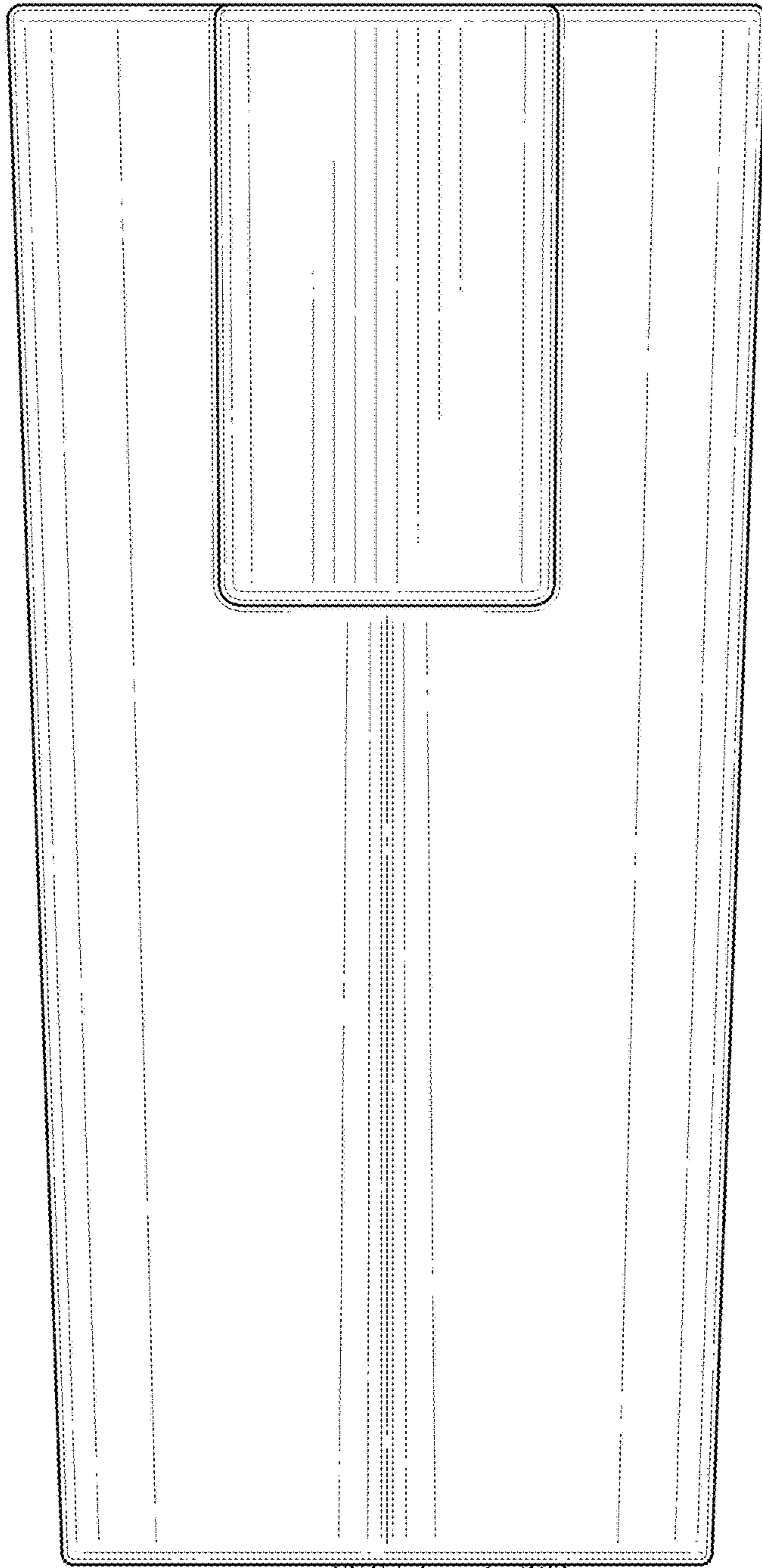


FIG. 3

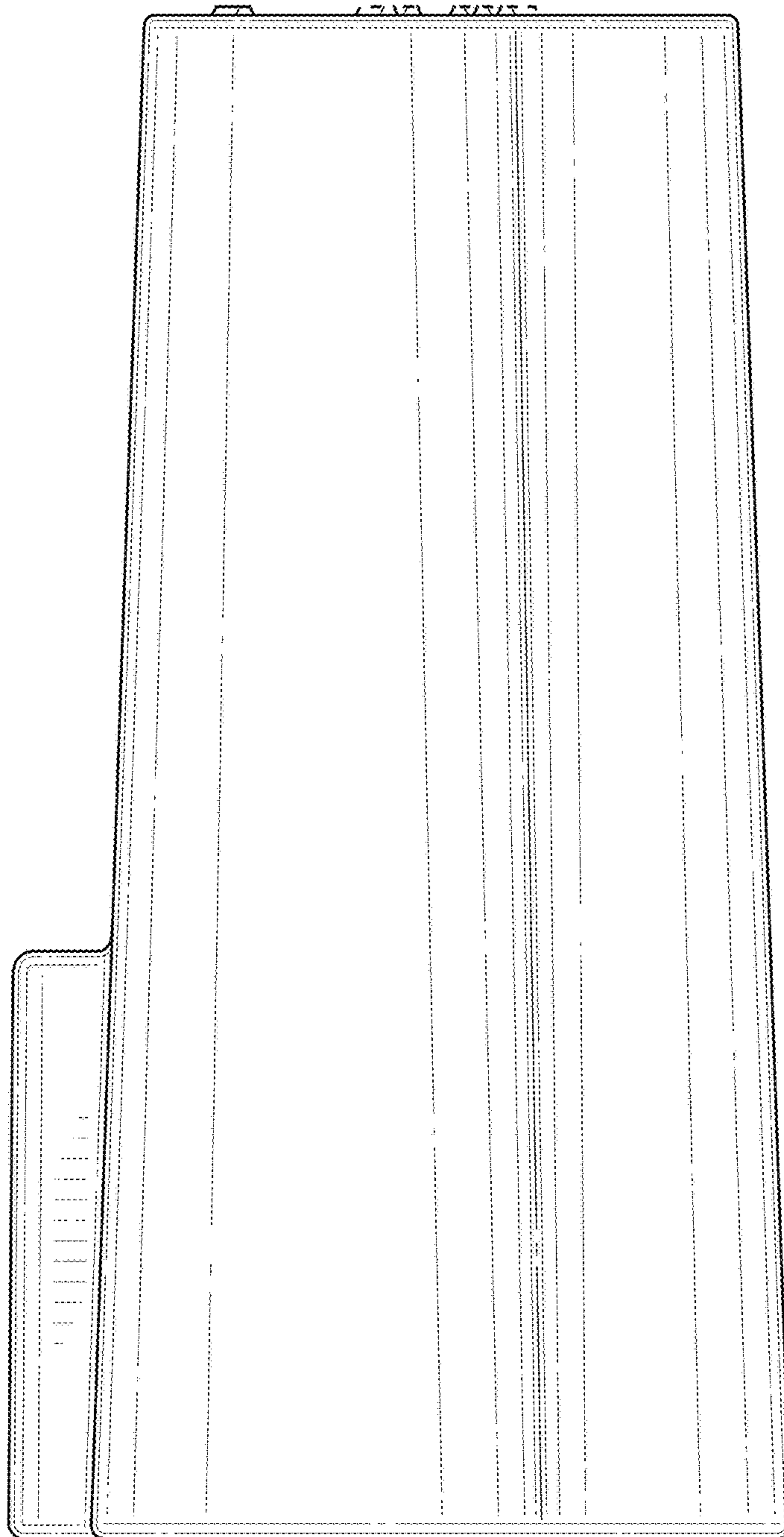


FIG. 4

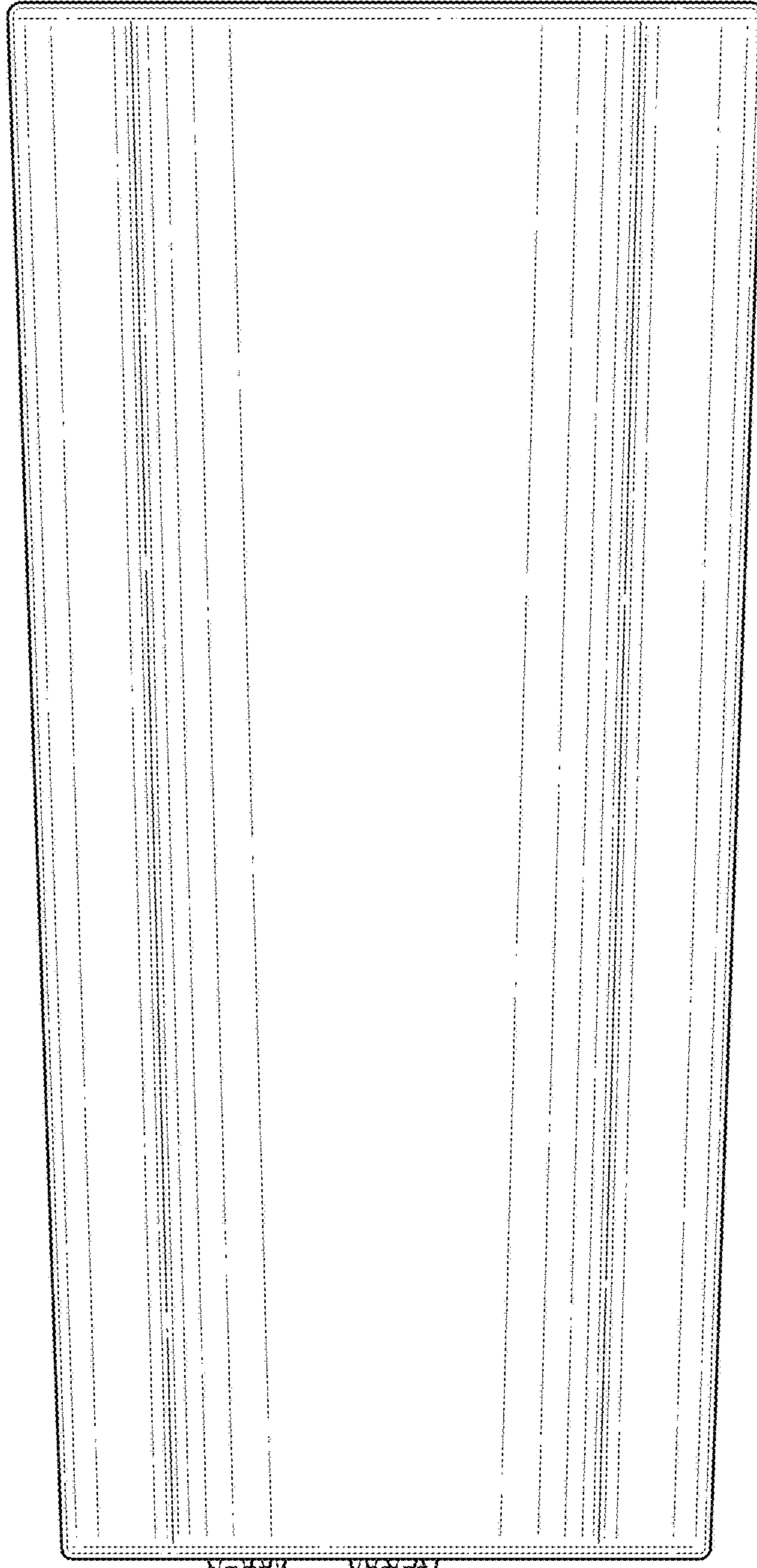


FIG. 5

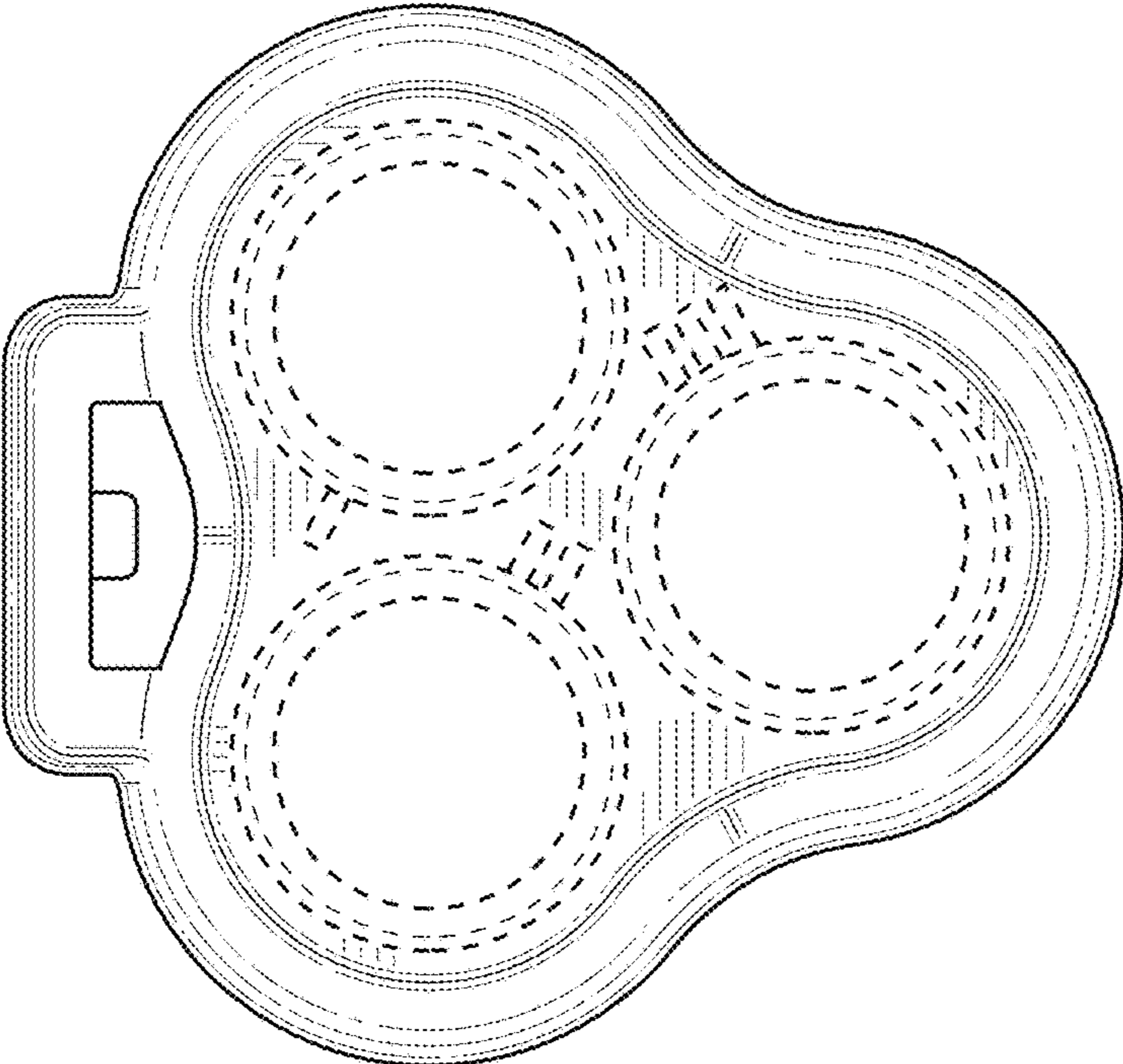


FIG. 6

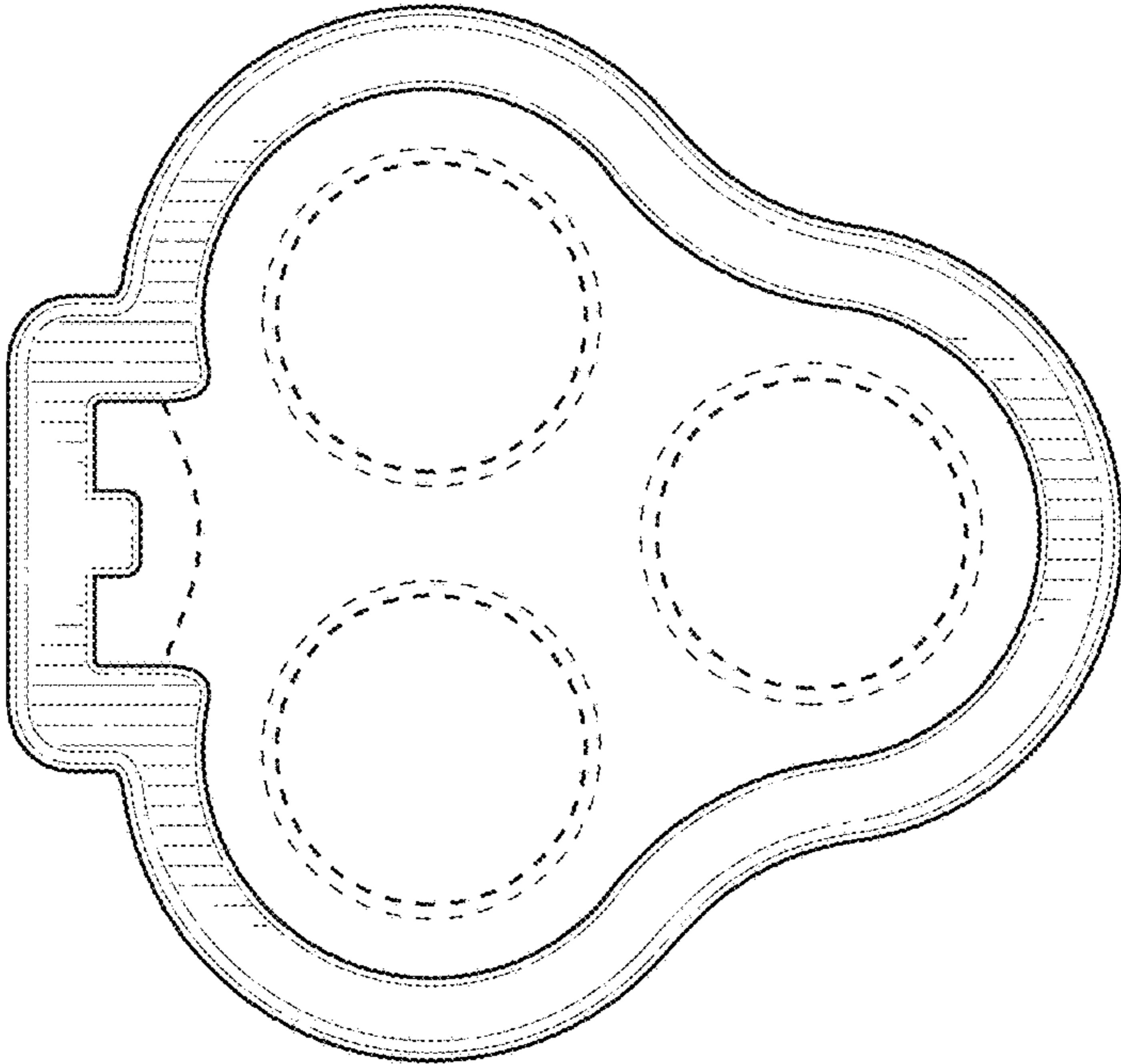


FIG. 7

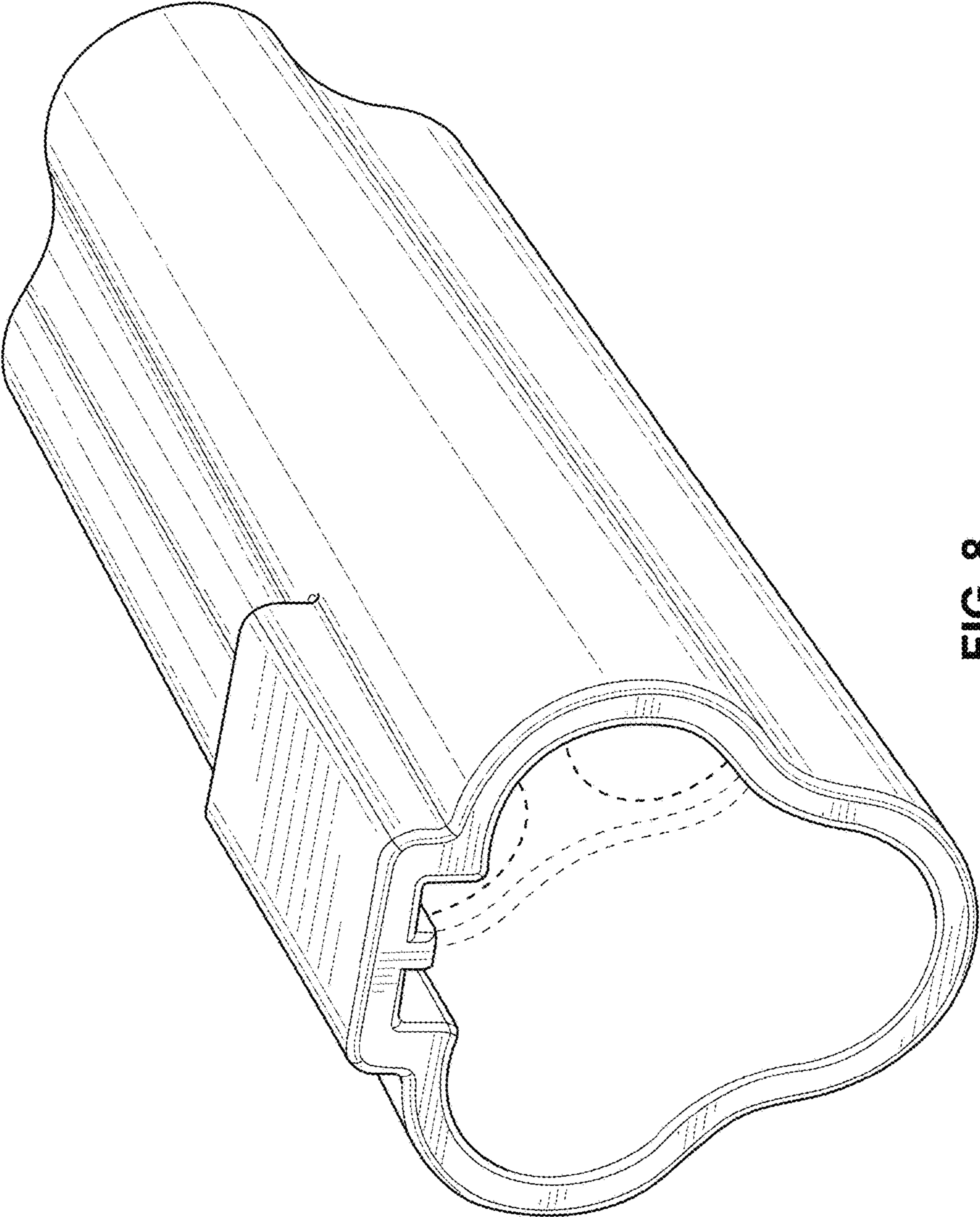


FIG. 8