



US00D848372S

(12) **United States Design Patent** (10) **Patent No.:** **US D848,372 S**
Maskaly et al. (45) **Date of Patent:** **** May 14, 2019**

(54) **CONNECTOR PLUG**

(71) Applicant: **Server Technology, Inc.**, Reno, NV (US)

(72) Inventors: **James P. Maskaly**, Reno, NV (US);
Peter Giammona, Reno, NV (US);
Mark Ramsey, Reno, NV (US)

(73) Assignee: **Server Technology, Inc.**, Reno, NV (US)

(**) Term: **15 Years**

(21) Appl. No.: **29/622,297**

(22) Filed: **Oct. 16, 2017**

Related U.S. Application Data

(62) Division of application No. 29/536,459, filed on Aug. 17, 2015, now Pat. No. Des. 800,069.

(51) **LOC (11) Cl.** **13-03**

(52) **U.S. Cl.**
USPC **D13/146**

(58) **Field of Classification Search**
USPC D13/133, 146, 147, 154, 184, 199
CPC H01R 13/629; H01R 13/639; H01R 13/64;
H01R 24/78

See application file for complete search history.

(56) **References Cited**

U.S. PATENT DOCUMENTS

D527,708 S	9/2006	Schemm et al.
D543,148 S	5/2007	Suckle et al.
7,841,888 B2	11/2010	Xia et al.
D678,201 S	3/2013	Corona
D678,202 S	3/2013	Corona

8,469,734 B2	6/2013	Chen	
D730,841 S	6/2015	Lee	
D731,976 S	6/2015	Weber	
D739,354 S *	9/2015	Nook D13/133
D800,069 S *	10/2017	Maskaly D13/146
2016/0240967 A1	8/2016	Chen et al.	
2016/0322747 A1*	11/2016	Jian H01R 13/639

OTHER PUBLICATIONS

Volex VAC13KS and VAC 14KS Datasheet, accessed from <http://www.volex.com/News-about-Volex/New-products/V-Lock-Locking-IEC-standard-C13-connector.html>, 2014, 1 page.

* cited by examiner

Primary Examiner — Daniel D Bui

(74) *Attorney, Agent, or Firm* — Perkins Coie LLP

(57) **CLAIM**

The ornamental design for a connector plug, as shown and described.

DESCRIPTION

FIG. 1 is a perspective view of a connector plug showing our new design.

FIG. 2 is a front elevation view thereof.

FIG. 3 is a back elevation view thereof.

FIG. 4 is a right side elevation view thereof.

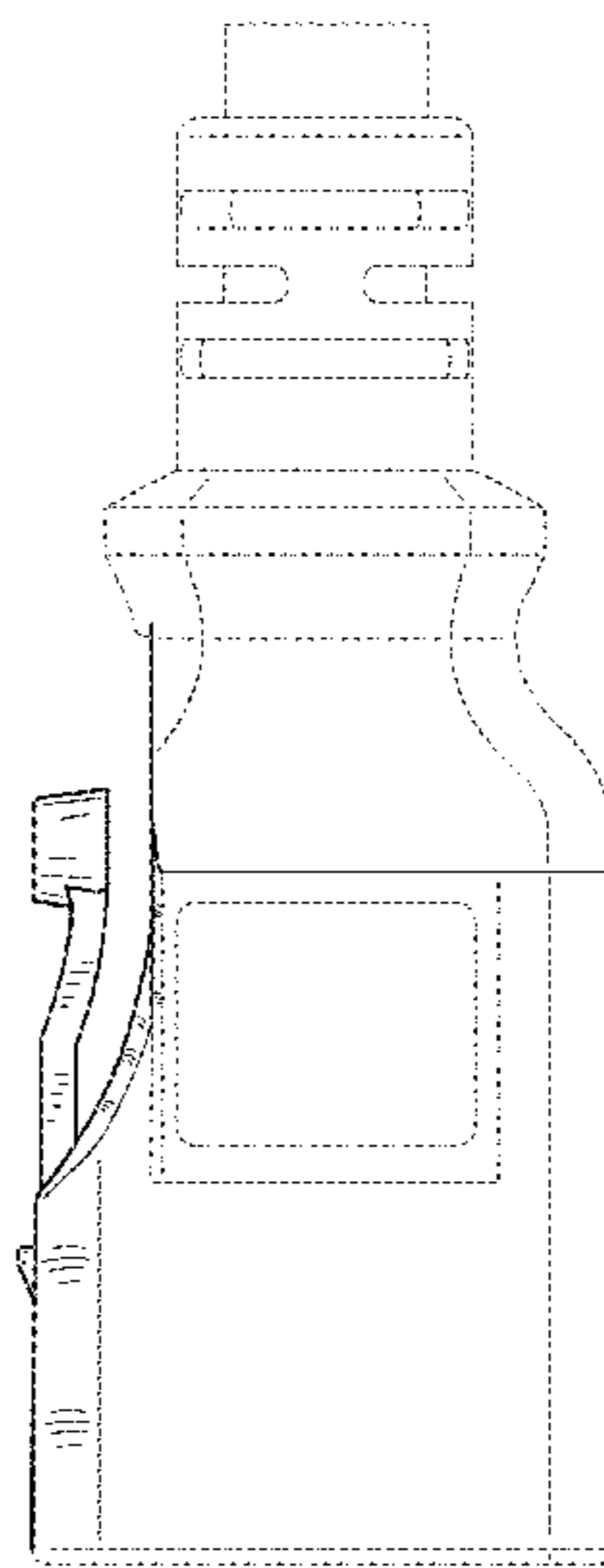
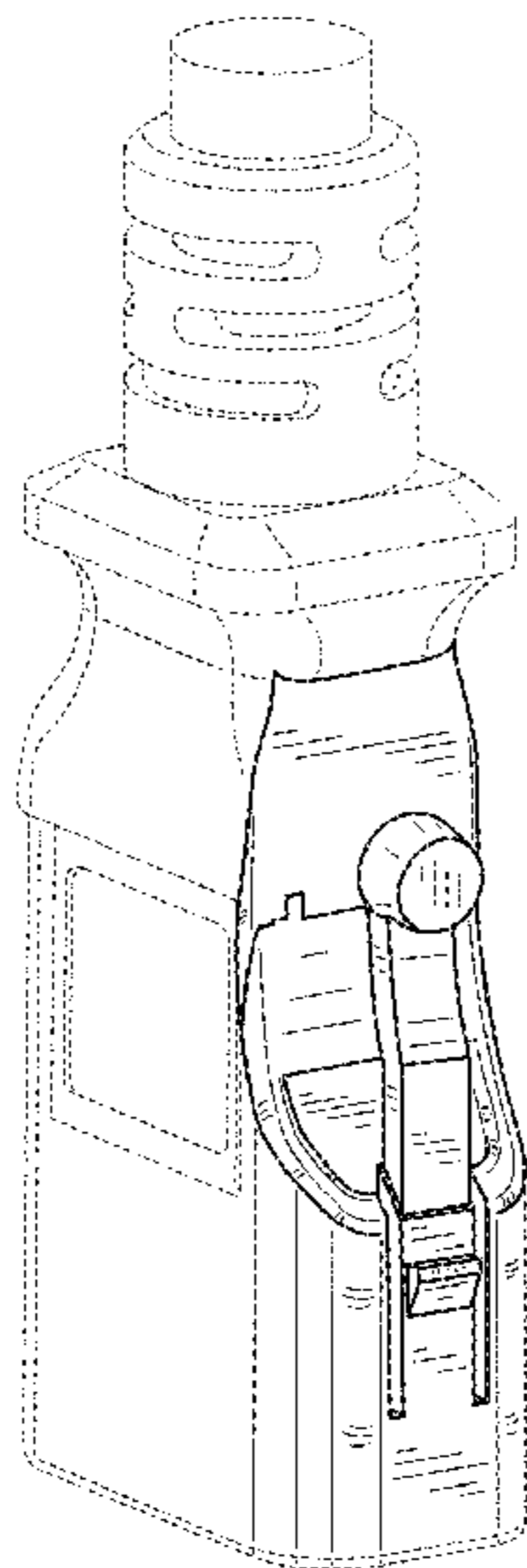
FIG. 5 is a left side elevation view thereof.

FIG. 6 is a top plan view thereof; and,

FIG. 7 is a bottom plan view thereof.

Any broken lines in the Figures are for illustrative purposes only and form no part of the claimed design.

1 Claim, 5 Drawing Sheets



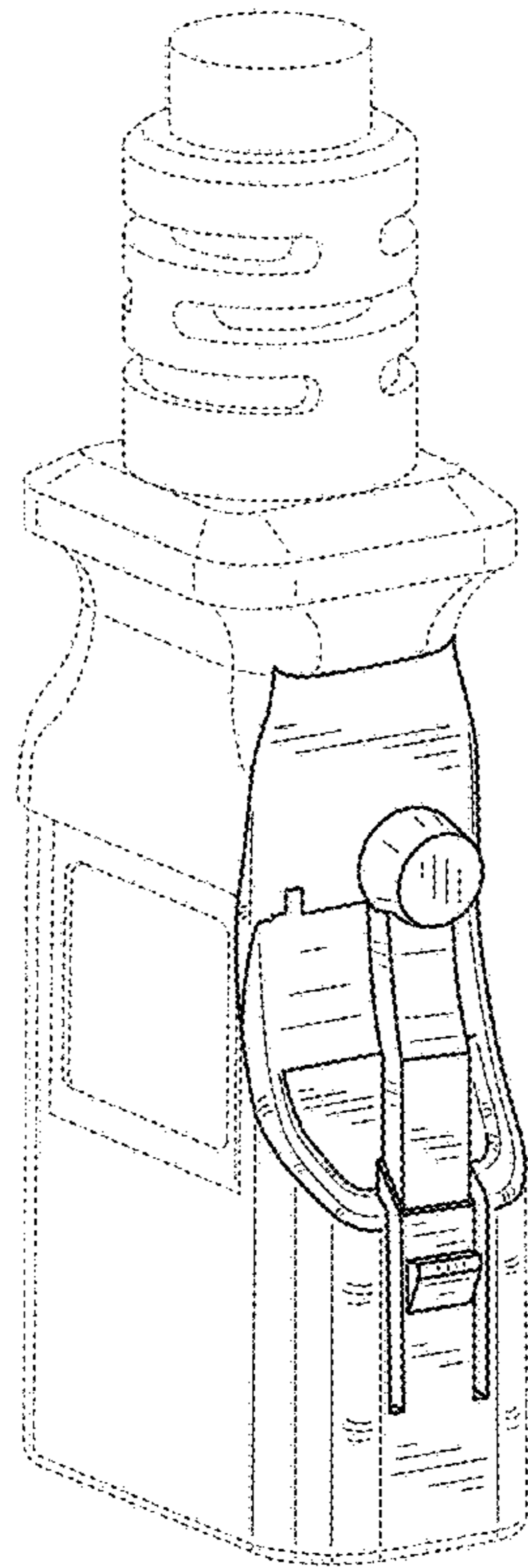


FIG. 1

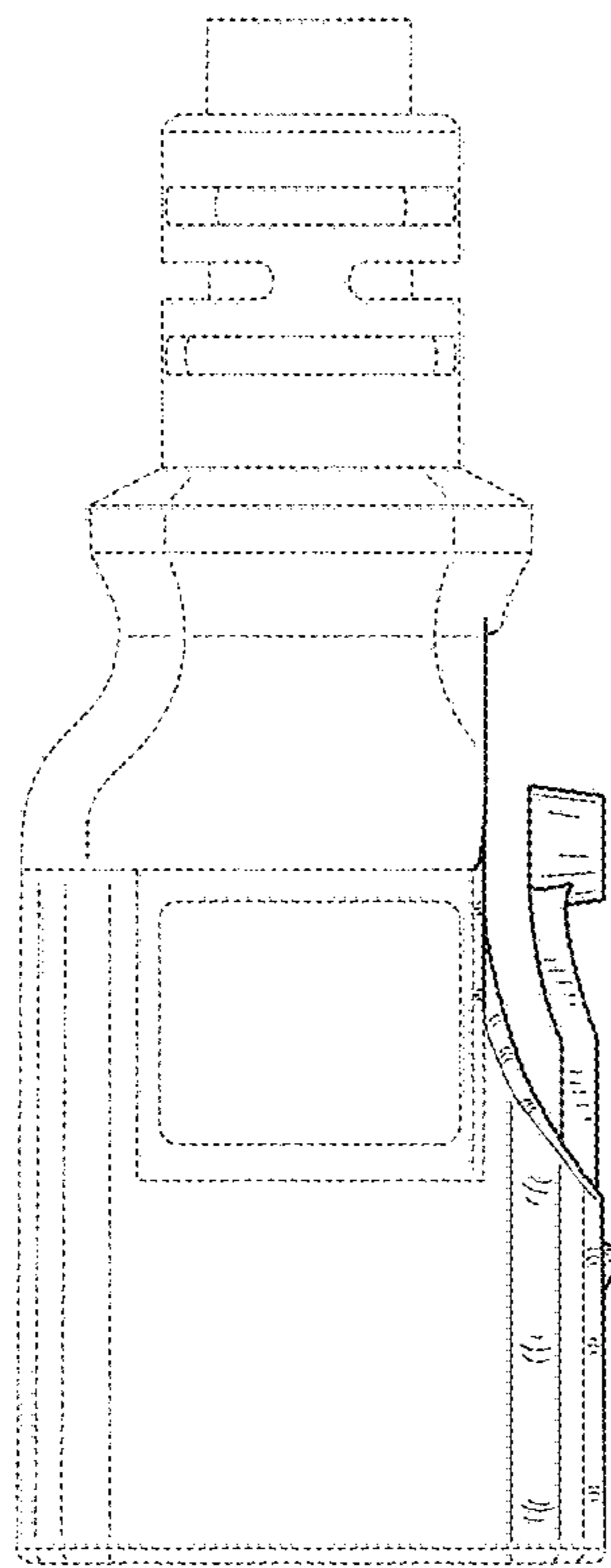


FIG. 2

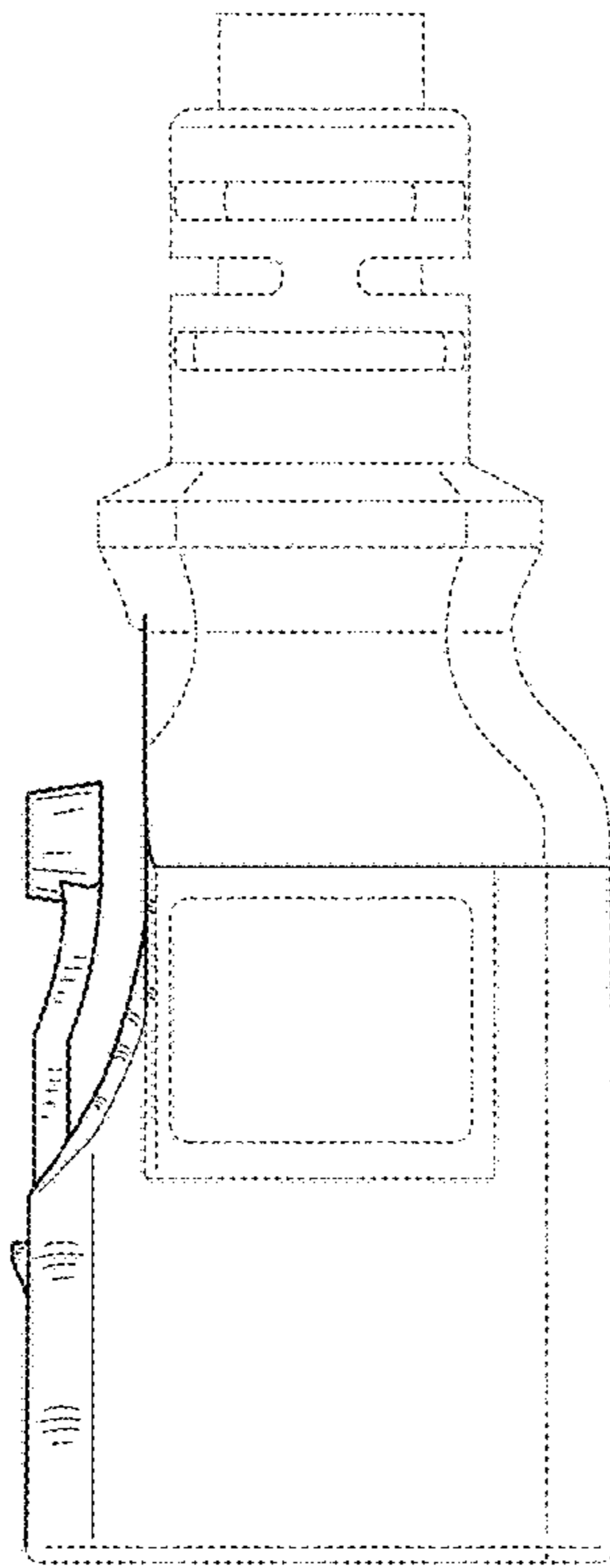


FIG. 3

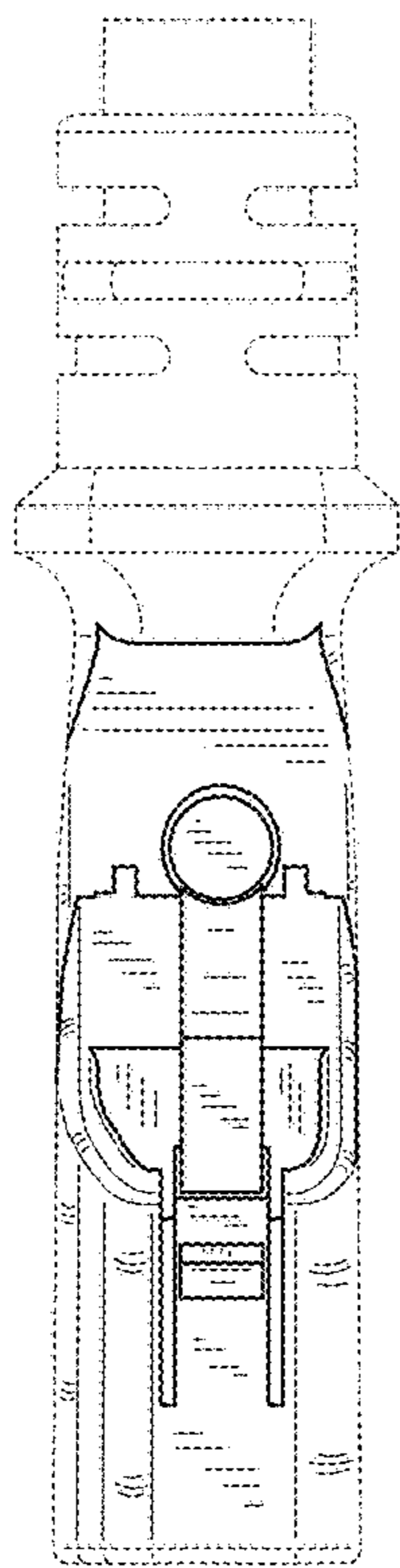


FIG. 4

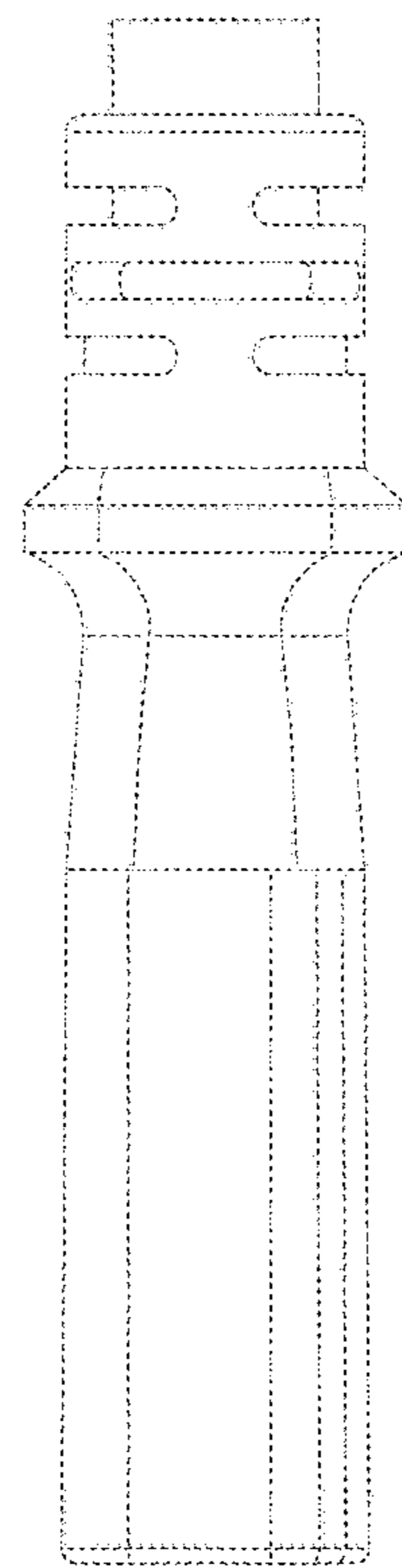


FIG. 5

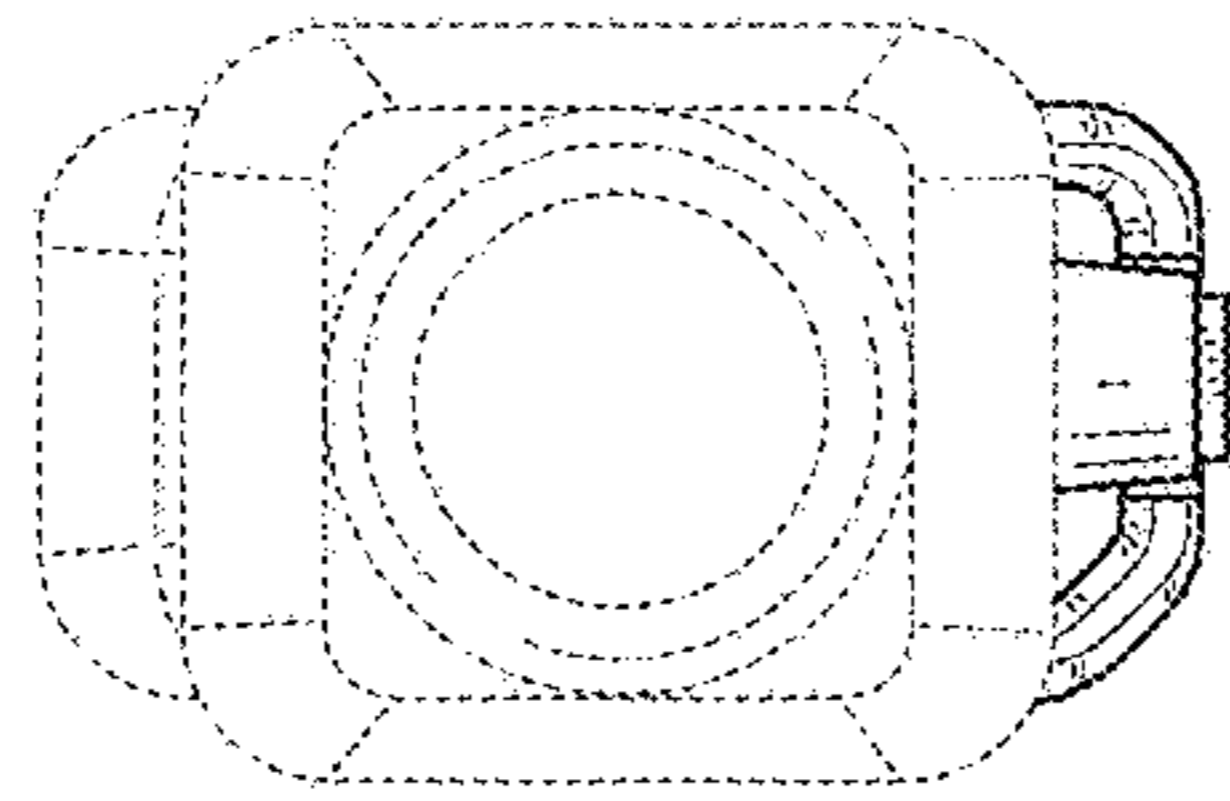


FIG. 6

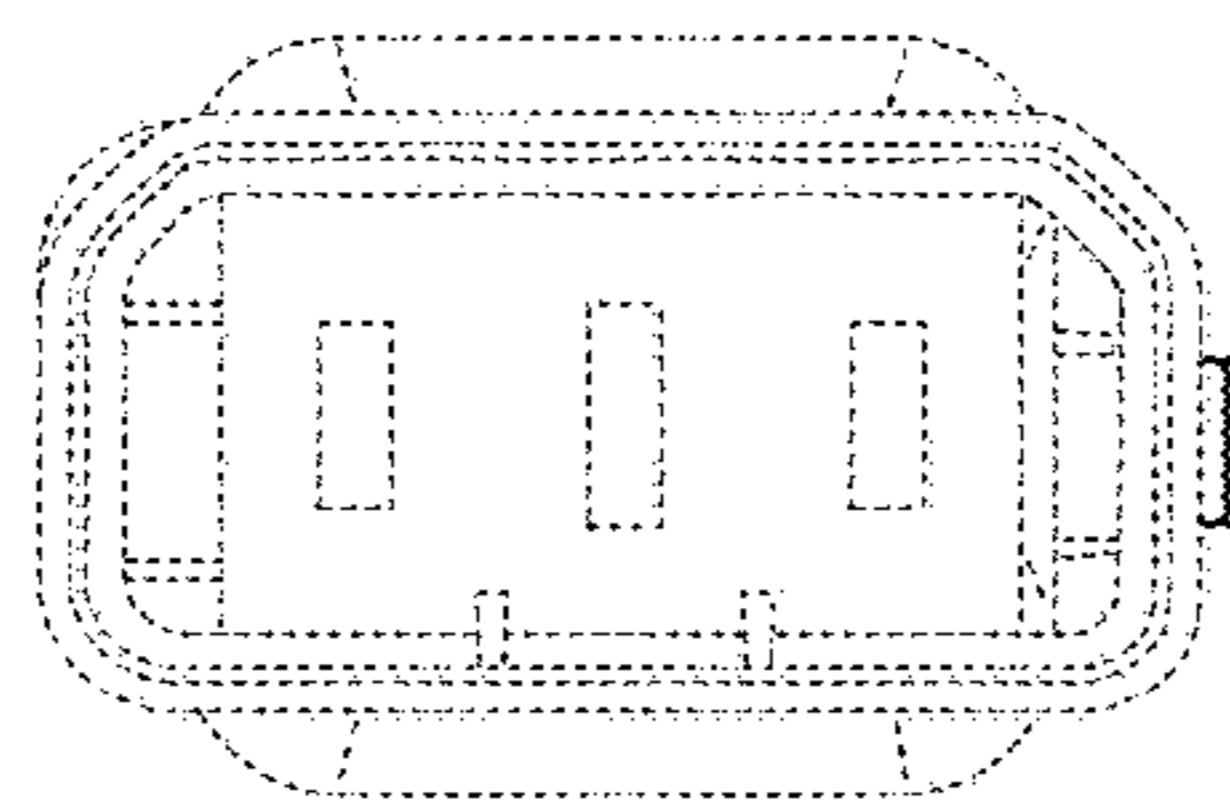


FIG. 7