



US00D848371S

(12) **United States Design Patent** (10) **Patent No.:** **US D848,371 S**
Byrne et al. (45) **Date of Patent:** **** May 14, 2019**

(54) **ELECTRICAL POWER UNIT FOR A WORK SURFACE**

4,463,998 A 8/1984 Reavis et al.
D288,298 S 2/1987 Yang
D306,012 S 2/1990 Oesterheld et al.
D325,723 S * 4/1992 Gary D13/139.4
5,195,288 A 3/1993 Penczak
D350,939 S 9/1994 Rossman et al.

(71) Applicants: **Daniel P. Byrne**, Lowell, MI (US);
Chad Zimmerman, Hastings, MI (US);
William F. Schacht, Grand Rapids, MI (US);
Randell E. Pate, Jenison, MI (US);
Brent A. Reame, Grand Rapids, MI (US);
Timothy J. Warwick, Sparta, MI (US)

(Continued)

(72) Inventors: **Daniel P. Byrne**, Lowell, MI (US);
Chad Zimmerman, Hastings, MI (US);
William F. Schacht, Grand Rapids, MI (US);
Randell E. Pate, Jenison, MI (US);
Brent A. Reame, Grand Rapids, MI (US);
Timothy J. Warwick, Sparta, MI (US)

OTHER PUBLICATIONS

“Edge Mount Desk Power Center”. Found online May 6, 2018 at [www.amazon.com](https://www.amazon.com/Edge-Mount-Desktop-Power-Center/dp/B00UNWOFRE#customerReviews). Page dated Aug. 5, 2015. Retrieved from <https://www.amazon.com/Edge-Mount-Desktop-Power-Center/dp/B00UNWOFRE#customerReviews>.*

(Continued)

Primary Examiner — Rhea Shields
(74) *Attorney, Agent, or Firm* — Gardner, Linn, Burkhardt & Ondersma LLP

(**) Term: **15 Years**

(21) Appl. No.: **29/604,371**

(22) Filed: **May 17, 2017**

(51) **LOC (11) Cl.** **13-03**

(52) **U.S. Cl.**
USPC **D13/139.4**

(58) **Field of Classification Search**
USPC D13/137.2, 137.4, 138.1, 138.2,
D13/139.1–139.8, 133, 146, 147, 148,
D13/151, 154, 158, 173, 184, 199
CPC .. H01R 13/6675; H01R 13/44; H01R 31/065;
H01R 13/4534
See application file for complete search history.

(56) **References Cited**

U.S. PATENT DOCUMENTS

D78,966 S * 7/1929 Conner D13/139.7
3,049,688 A 8/1962 Sinopoli
D195,463 S 6/1963 Tamarin
4,240,688 A * 12/1980 Sotolongo H02G 3/185
174/490
4,323,723 A 4/1982 Fork et al.

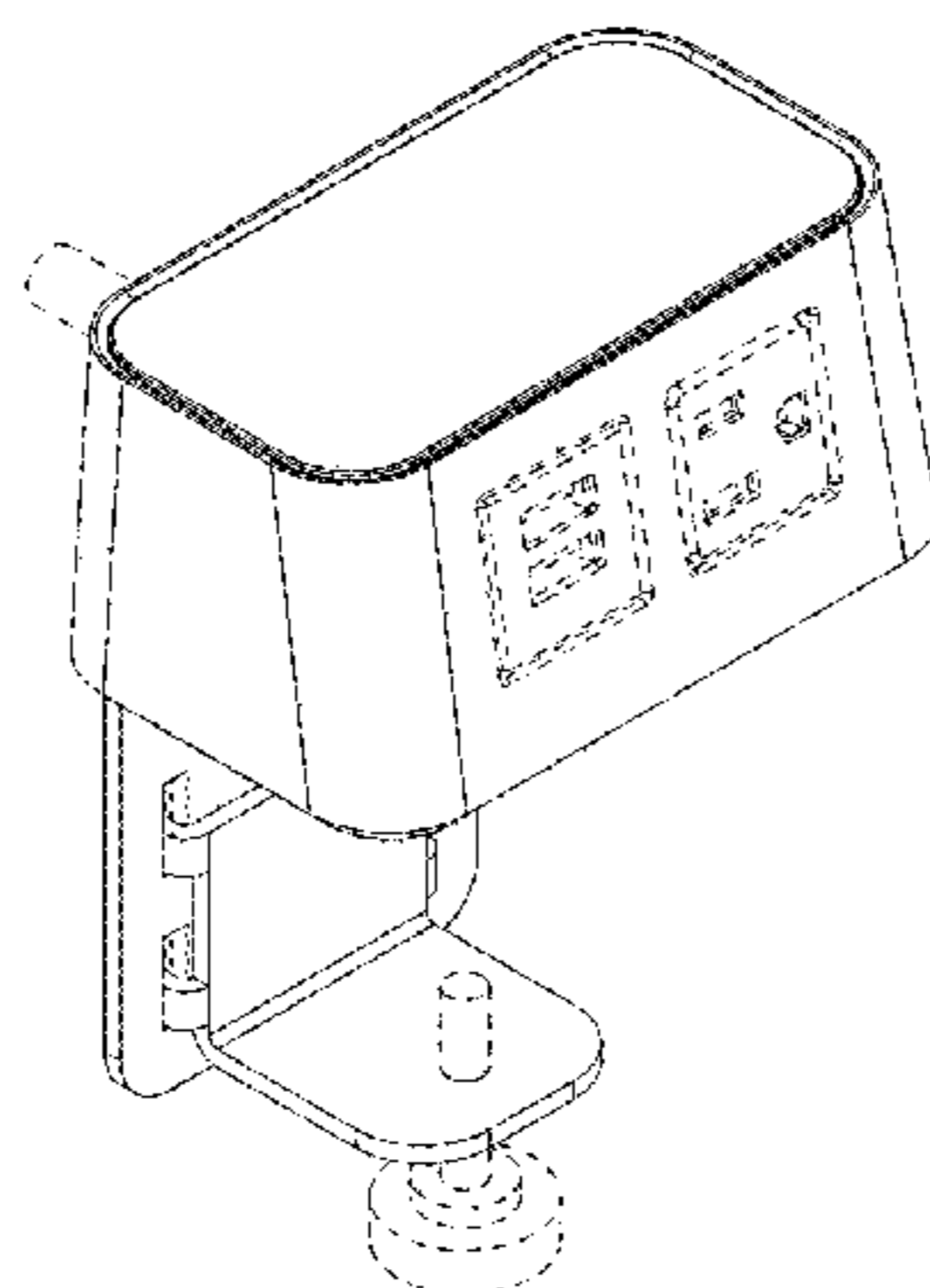
(57) **CLAIM**

The ornamental design for an electrical power unit for a work surface, as shown and described.

DESCRIPTION

FIG. 1 is a front perspective view of an electrical power center for a work surface showing our new design, viewed from above and to the right;
FIG. 2 is a rear perspective view thereof, viewed from below and to the left;
FIG. 3 is a front elevation thereof;
FIG. 4 is a rear elevation thereof;
FIG. 5 is a right side elevation thereof;
FIG. 6 is a left side elevation thereof;
FIG. 7 is a top plan view thereof;
FIG. 8 is a bottom plan view thereof; and,
FIG. 9 is a partially exploded front perspective view thereof. In the drawings, the broken lines depict unclaimed subject matter only, and form no part of the claimed design.

1 Claim, 3 Drawing Sheets



(56)

References Cited

U.S. PATENT DOCUMENTS

D368,893 S 4/1996 Harwood et al.
 5,566,053 A * 10/1996 Chou H01R 25/006
 174/50
 D382,855 S 8/1997 Salmond et al.
 D389,459 S * 1/1998 Byrne D13/139.5
 5,738,548 A 4/1998 Rutulante
 5,748,424 A 5/1998 Hung
 D405,416 S 2/1999 Byrne
 D407,374 S 3/1999 Byrne
 D412,698 S 8/1999 Byrne
 5,964,618 A 10/1999 McCarthy
 5,984,728 A 11/1999 Chen et al.
 6,004,157 A * 12/1999 Glass A47B 21/06
 439/535
 6,081,356 A 6/2000 Branc et al.
 6,200,159 B1 3/2001 Chou
 6,379,182 B1 4/2002 Byrne
 6,492,591 B1 12/2002 Metcalf
 6,717,053 B2 4/2004 Rupert
 6,875,051 B2 4/2005 Pizak
 6,971,911 B2 12/2005 Ramsey et al.
 7,001,211 B2 2/2006 Lichtscheidl et al.
 7,083,421 B1 8/2006 Mori
 D528,508 S 9/2006 Tan et al.
 7,112,097 B1 9/2006 Lam
 D553,306 S * 10/2007 Hansen D13/139.4

D591,233 S 4/2009 Kagami et al.
 7,736,178 B2 6/2010 Byrne
 D626,071 S 10/2010 Su et al.
 D651,974 S 1/2012 Benedetti
 D653,215 S 1/2012 Lam
 D701,836 S * 4/2014 Byrne H01R 13/52
 D13/139.1
 D717,732 S * 11/2014 Byrne D13/137.1
 D736,159 S 8/2015 Byrne et al.
 9,148,006 B2 9/2015 Byrne et al.
 D744,953 S 12/2015 Byrne et al.
 D762,176 S * 7/2016 Byrne D13/139.1
 D811,337 S * 2/2018 Byrne D13/137.2
 2006/0258195 A1 11/2006 Schwartz et al.
 2007/0275594 A1 11/2007 Greenberg
 2009/0294147 A1 12/2009 Stockton
 2014/0326726 A1* 11/2014 Byrne H02G 3/081
 220/241
 2017/0315828 A1* 11/2017 Byrne G04G 9/02

OTHER PUBLICATIONS

“White Omni 2 Power + 2 USB Port Outlet with Edge Mount Bracket”. Found online May 6, 2018 at www.poppin.com. Page dated Apr. 13, 2018. Retrieved from <https://www.poppin.com/White-Omni-2-Power-%2B-2-USB-Port-Outlet-with-Edge-Mount-Bracket-104587.html>.*

* cited by examiner

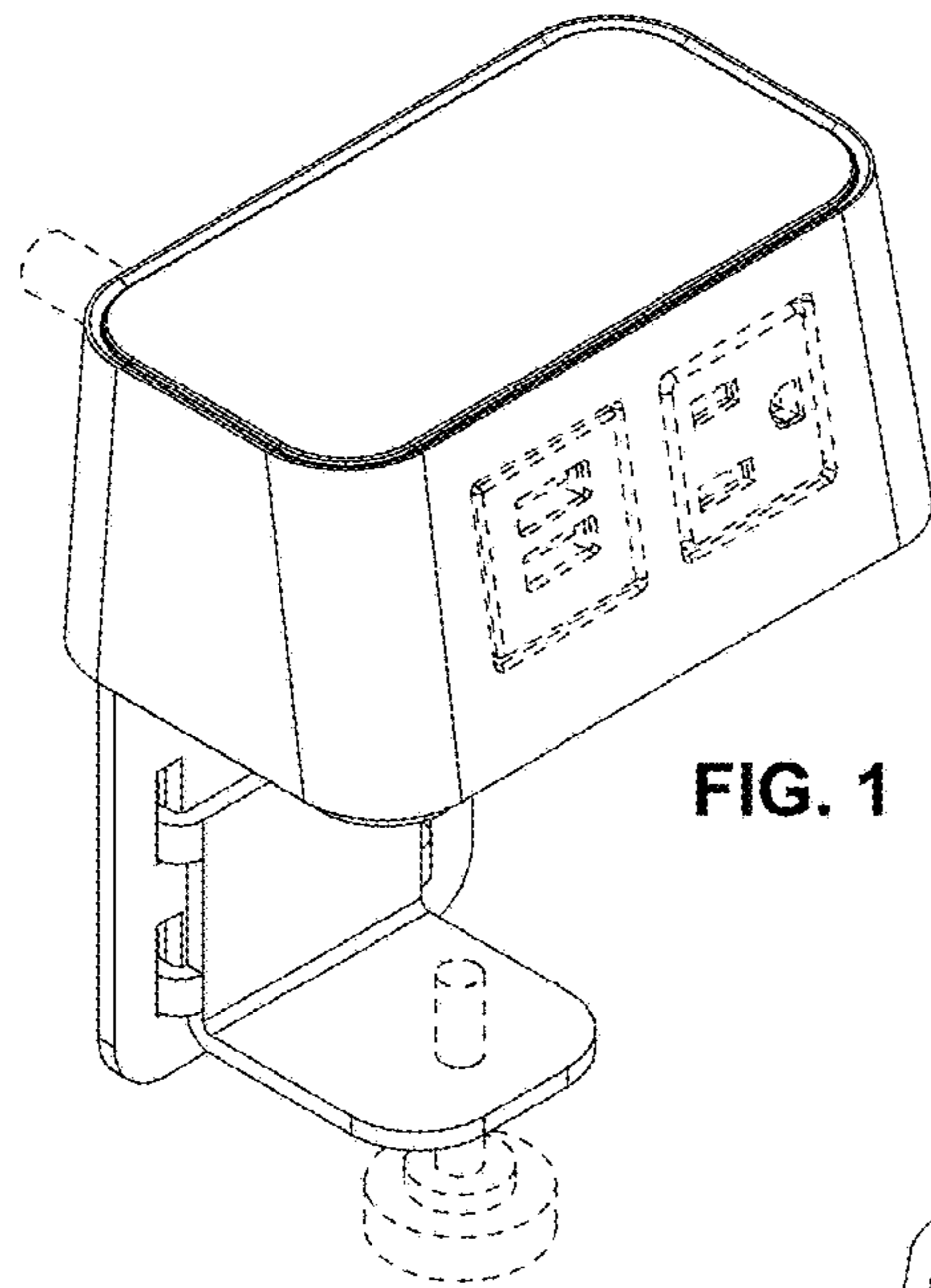


FIG. 1

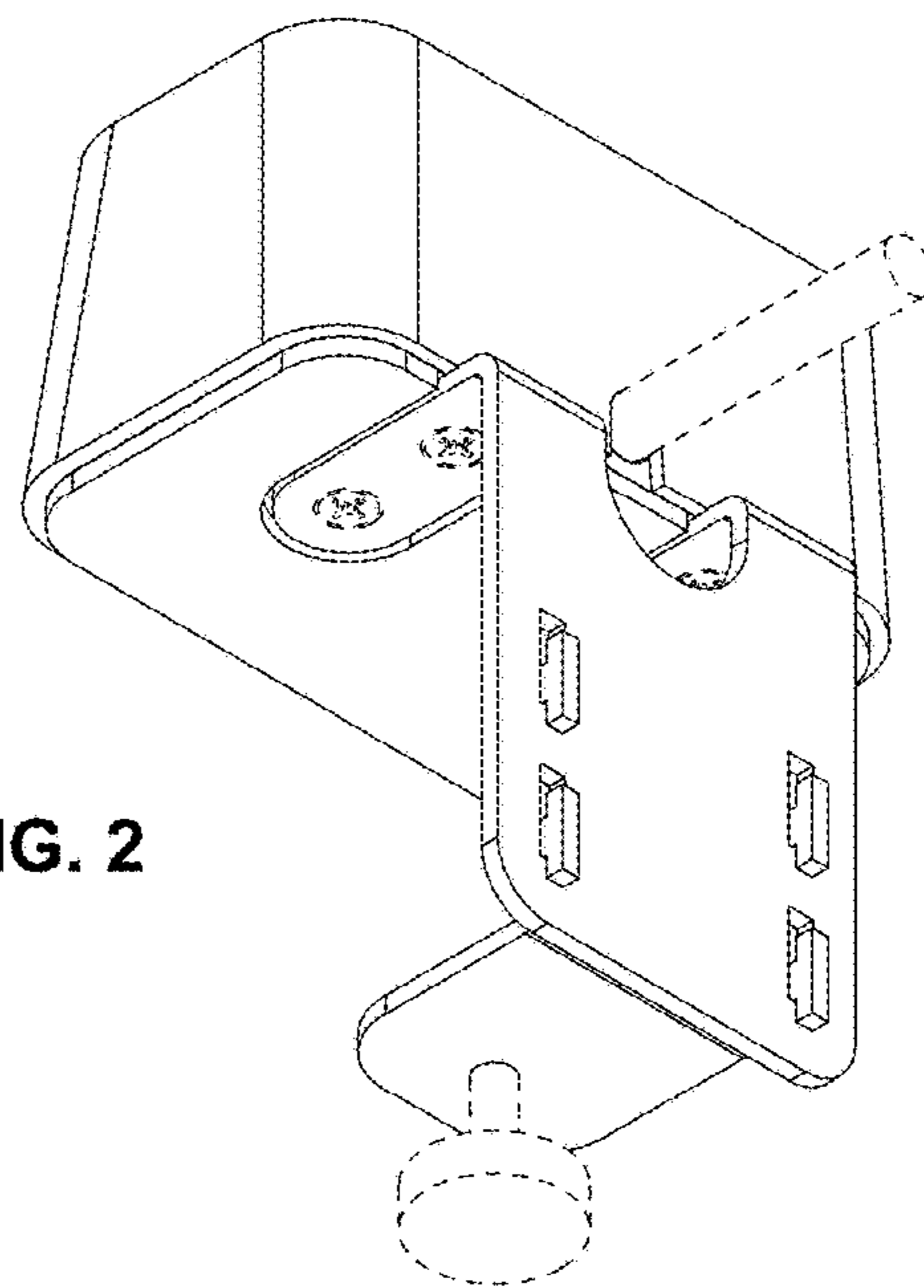
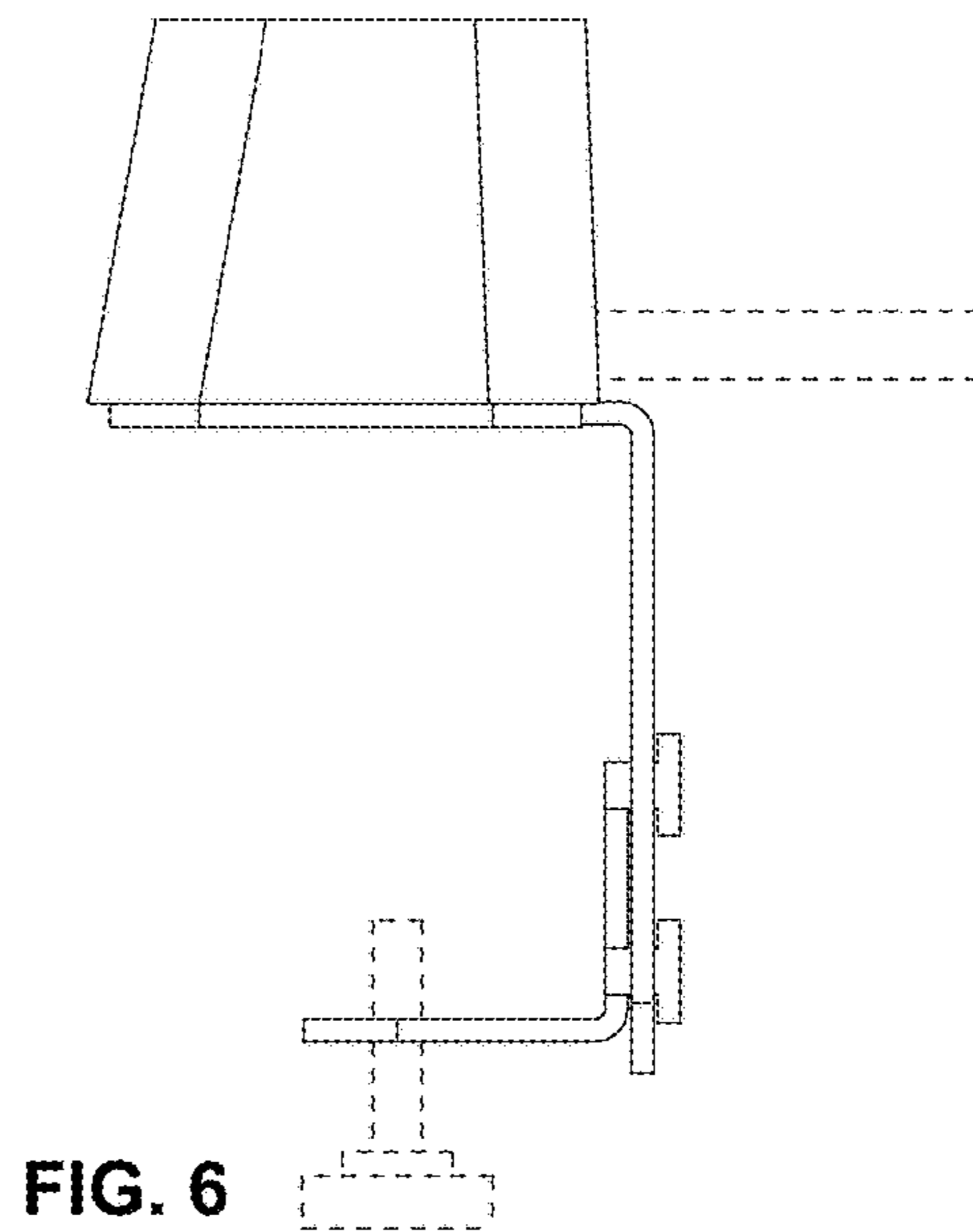
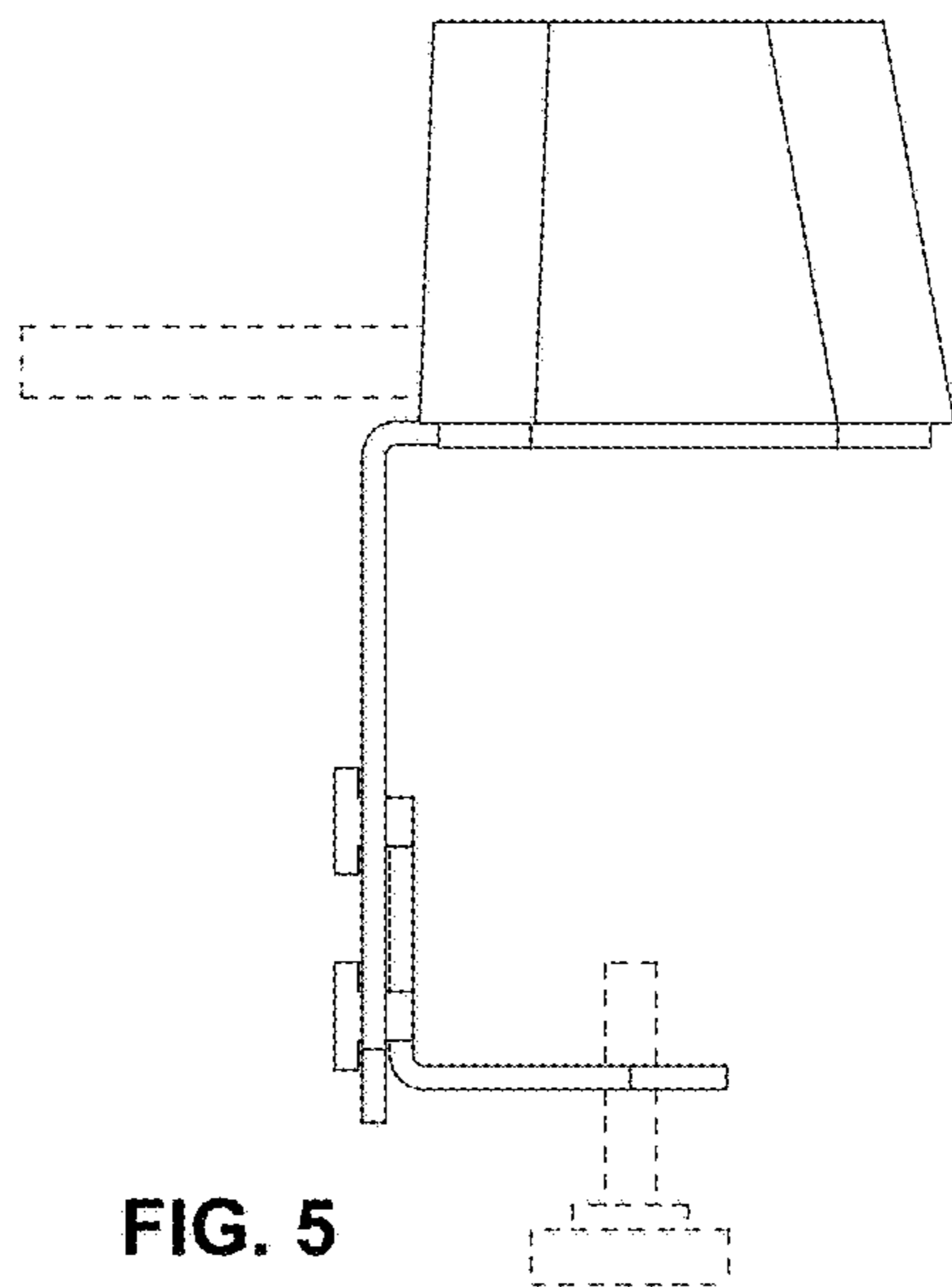
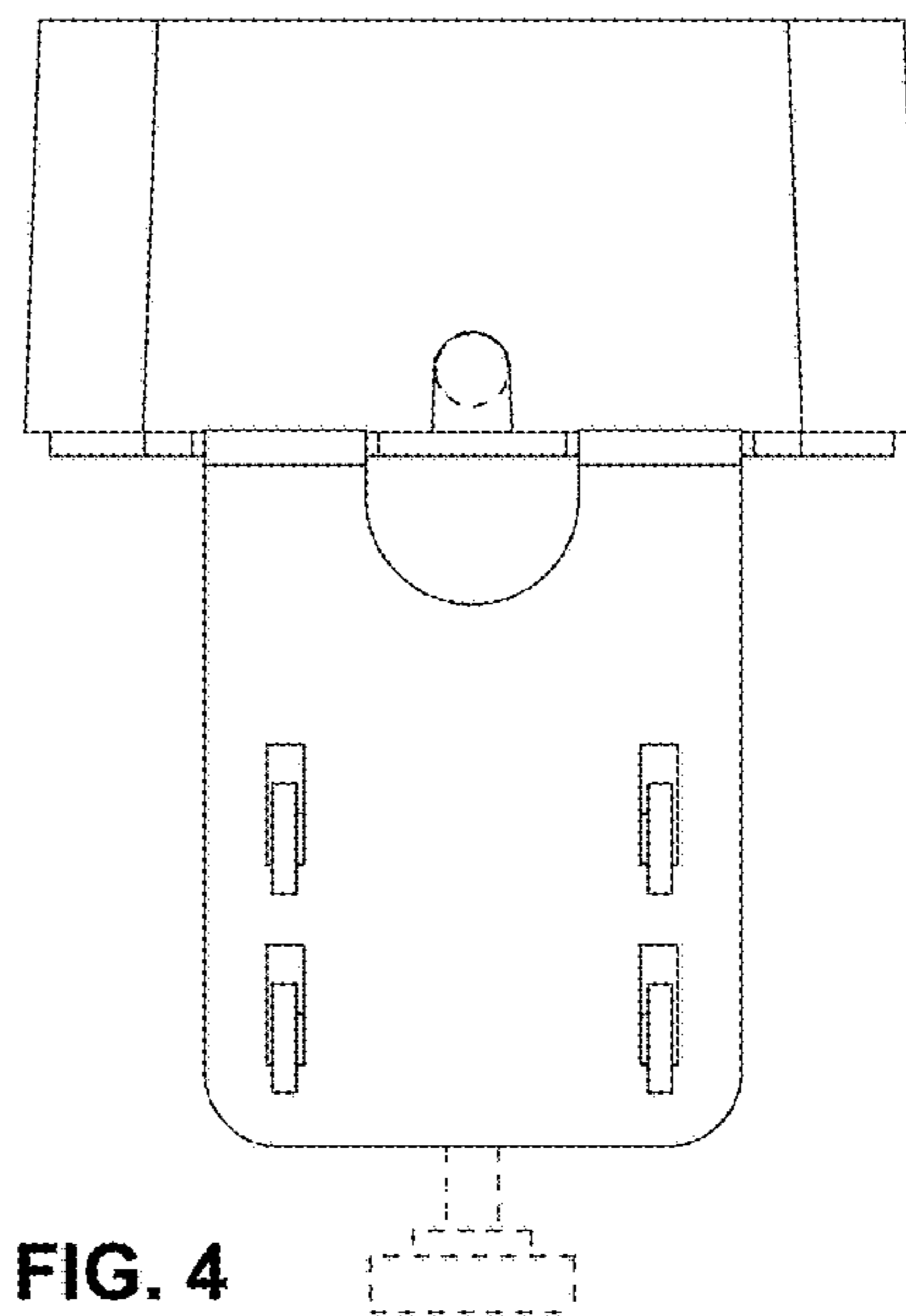
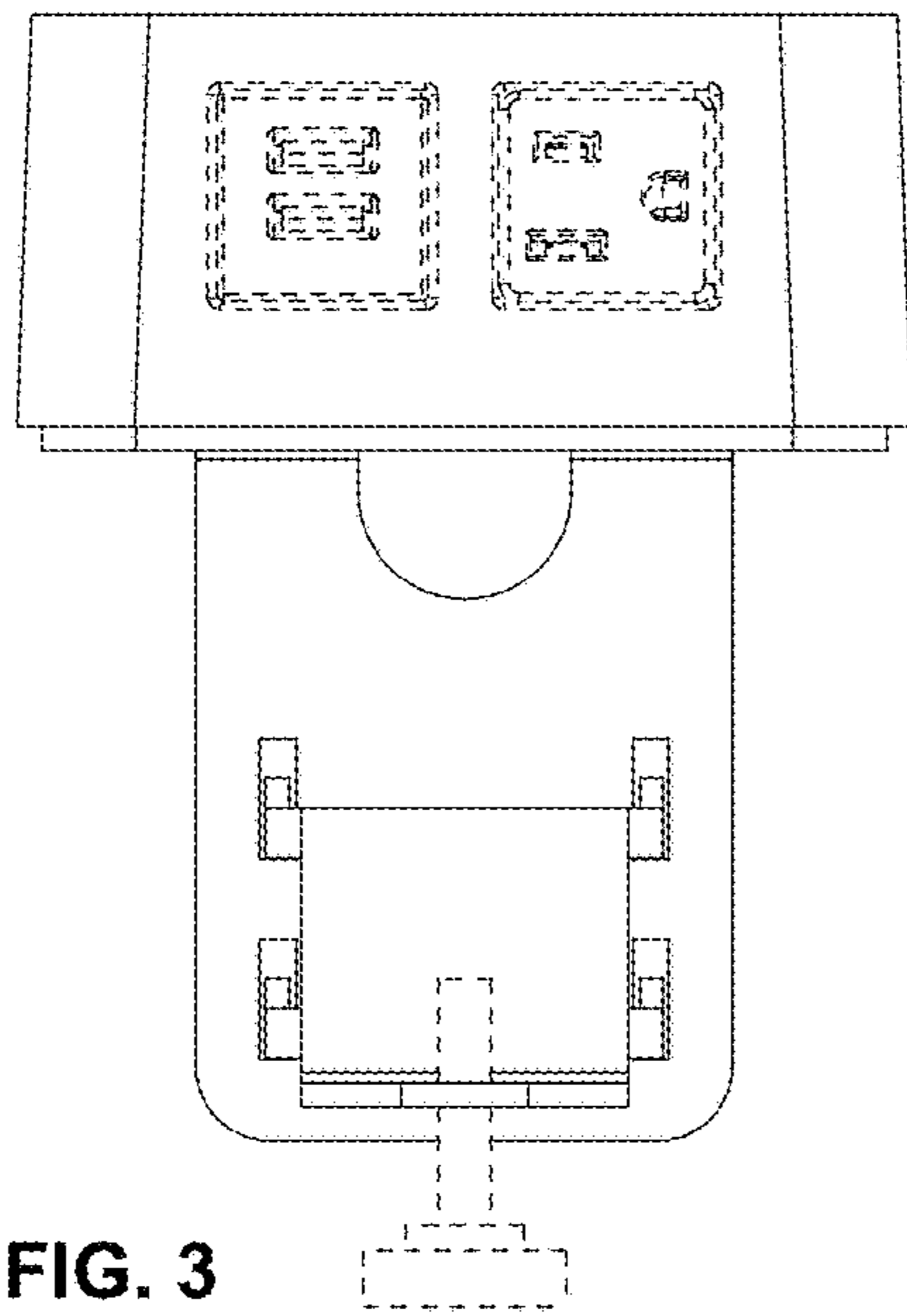


FIG. 2



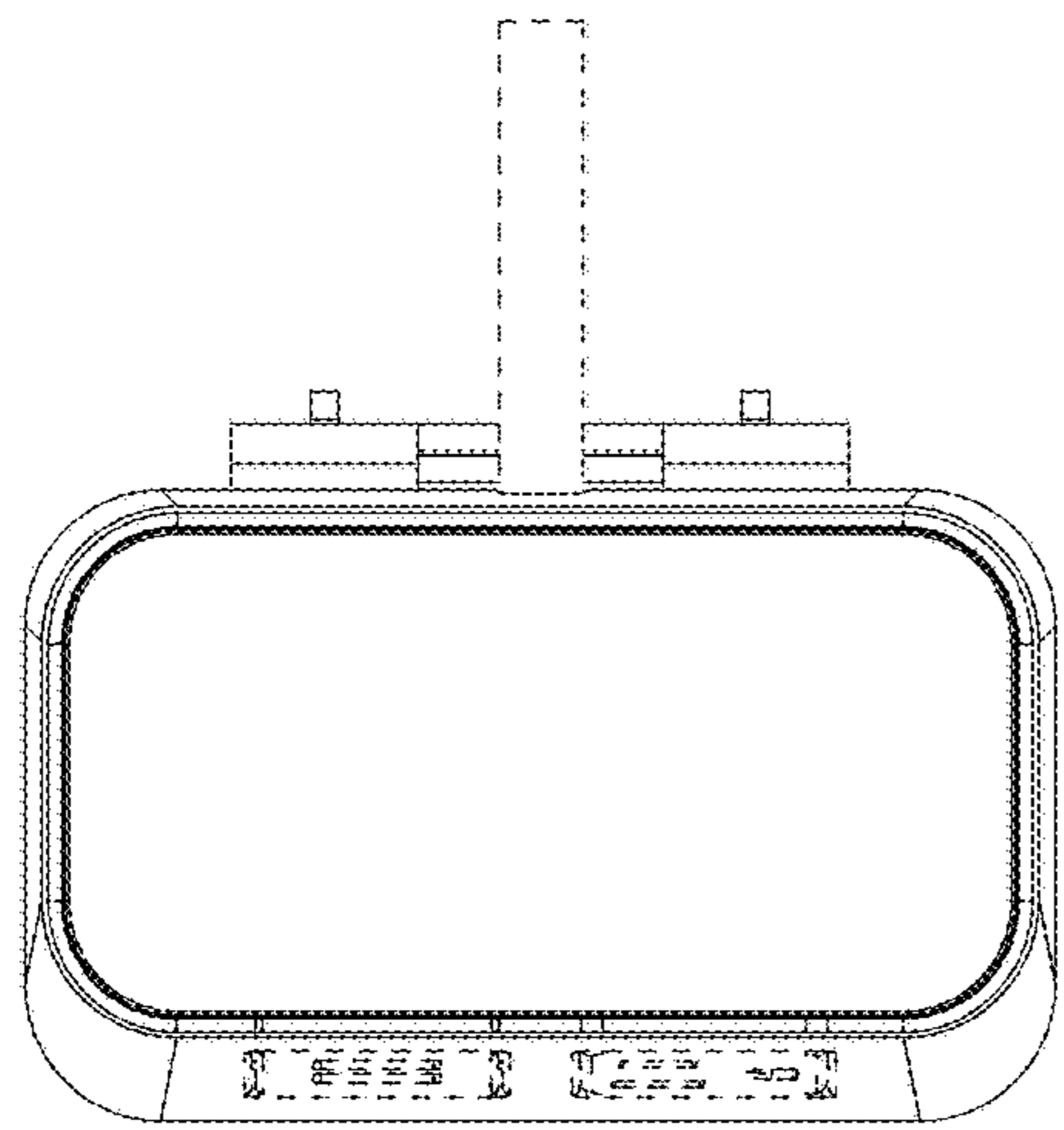


FIG. 7

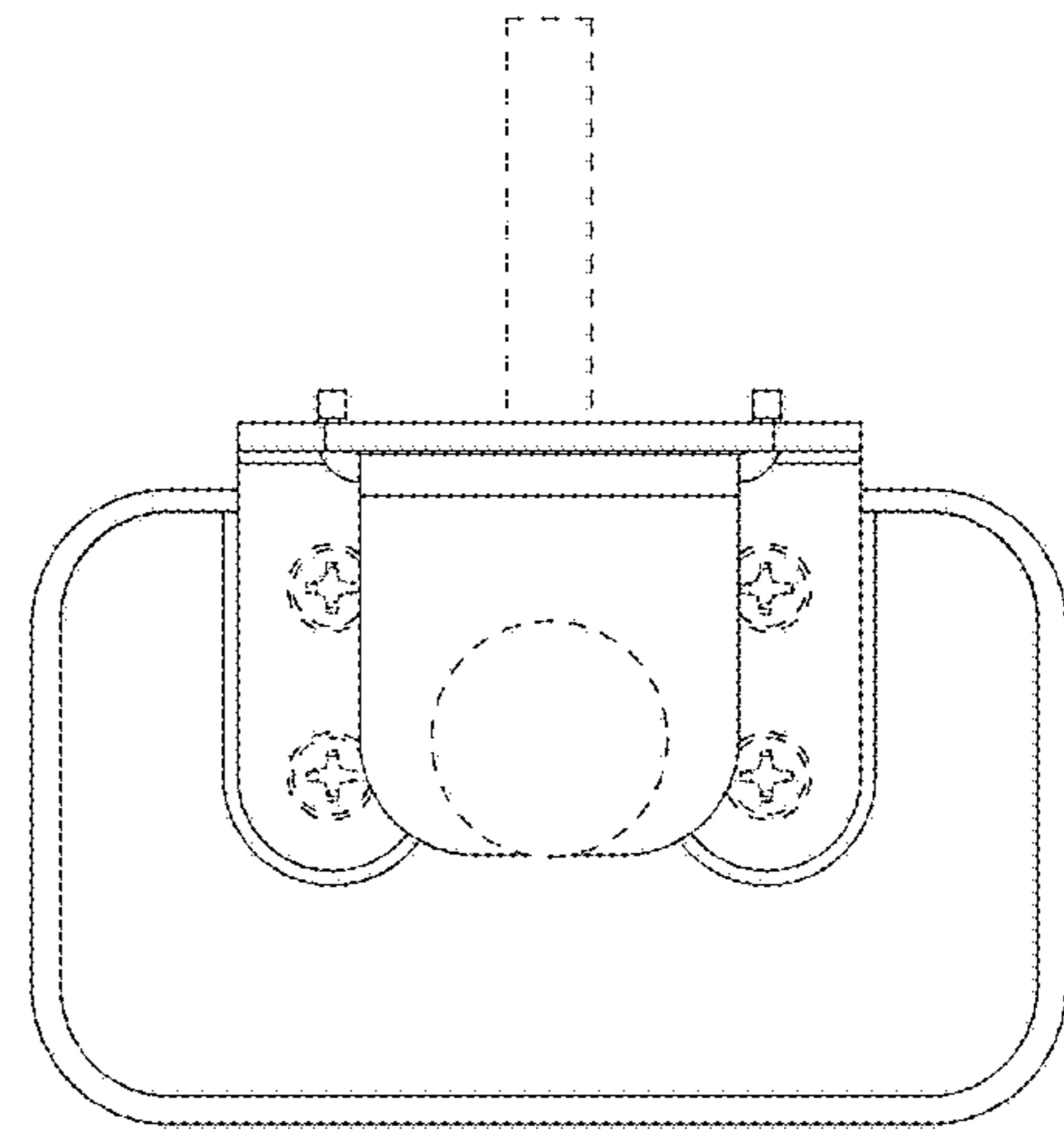


FIG. 8

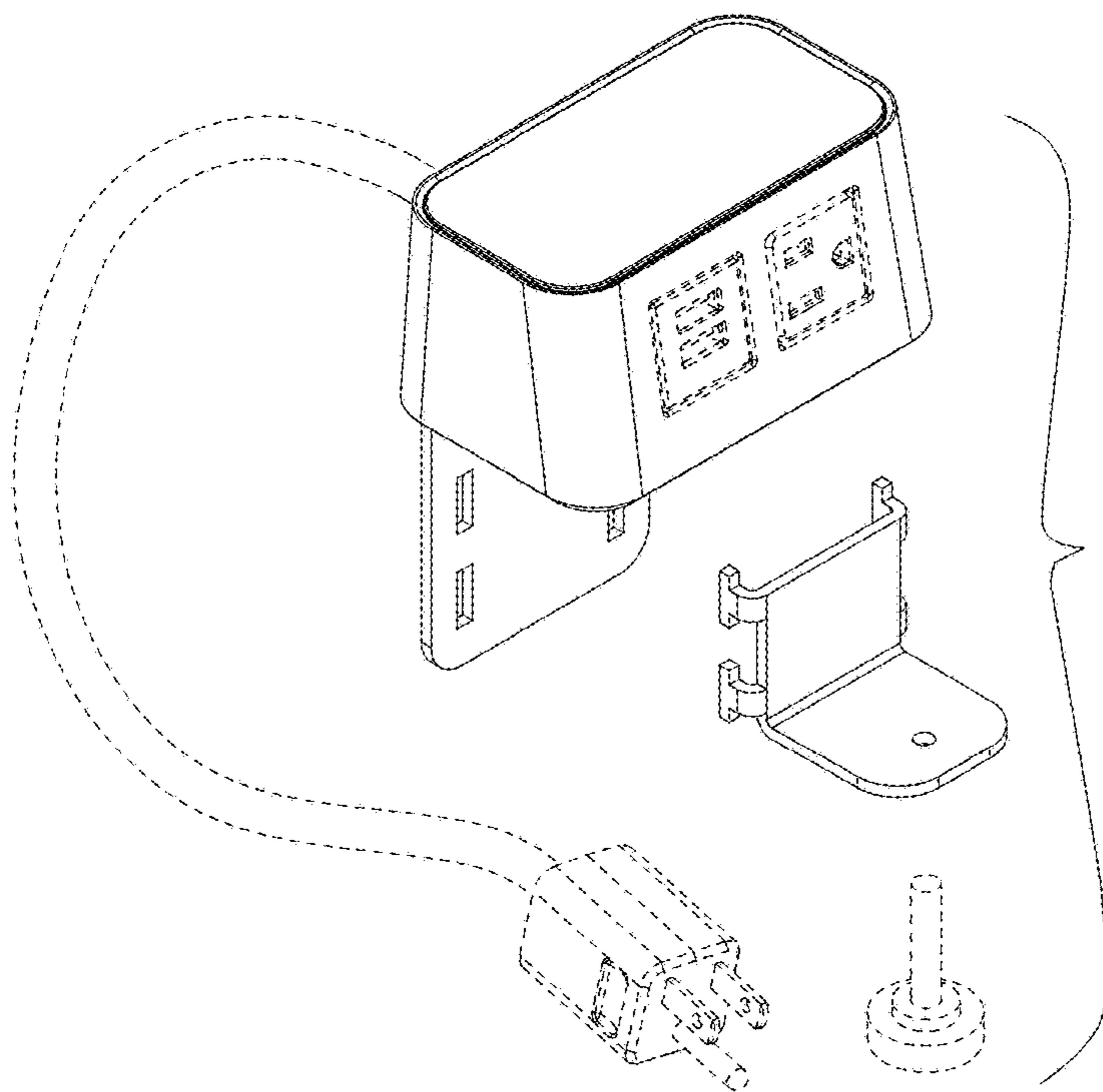


FIG. 9