



US00D848369S

(12) **United States Design Patent** (10) **Patent No.:** **US D848,369 S**  
**Stolze** (45) **Date of Patent:** **\*\* May 14, 2019**

- (54) **ELECTRICAL CONNECTOR**
- (71) Applicant: **WAGO Verwaltungsgesellschaft mit beschaenkter Haftung, Minden (DE)**
- (72) Inventor: **Henry Stolze, Bad Frankenhausen (DE)**
- (73) Assignee: **WAGO Verwaltungsgesellschaft mit beschaenkter Haftung, Minden (DE)**
- (\*\*) Term: **15 Years**
- (21) Appl. No.: **29/616,419**
- (22) Filed: **Sep. 6, 2017**

- (30) **Foreign Application Priority Data**  
Mar. 6, 2017 (EM) ..... 003785401-0007
- (51) **LOC (11) Cl.** ..... **13-03**
- (52) **U.S. Cl.**  
USPC ..... **D13/133; D13/146; D13/147**
- (58) **Field of Classification Search**  
USPC ..... D13/133, 146, 147, 154, 184, 199  
CPC ..... H01R 9/09; H01R 9/091; H01R 9/098;  
H01R 9/22; H01R 9/24; H01R 9/2408;  
H01R 9/2691; H01R 9/28; H01R 4/029;  
H01R 4/28; H01R 4/4836; H01R 4/4818;  
H01R 4/4845; H01R 9/2475; H01R  
12/53; H01R 12/58; H01R 13/502  
See application file for complete search history.

- (56) **References Cited**  
**U.S. PATENT DOCUMENTS**  
D320,381 S \* 10/1991 McGrane ..... 439/798  
D414,466 S \* 9/1999 Bradshaw ..... D13/147

D593,951 S *	6/2009	Yoon .....	D13/147
D612,808 S *	3/2010	Billerbeck .....	D13/147
D613,693 S *	4/2010	Bender .....	D13/147
D676,391 S *	2/2013	Gassauer .....	D13/147

**FOREIGN PATENT DOCUMENTS**

DE	20 2013 100981 U1	6/2014
EM	002433342-0001	3/2014
EM	002433342-0002	3/2014
WO	WO 2015/131215 A1	9/2015

\* cited by examiner

*Primary Examiner* — Daniel D Bui

(74) *Attorney, Agent, or Firm* — Muncy, Geissler, Olds & Lowe, P.C.

(57) **CLAIM**

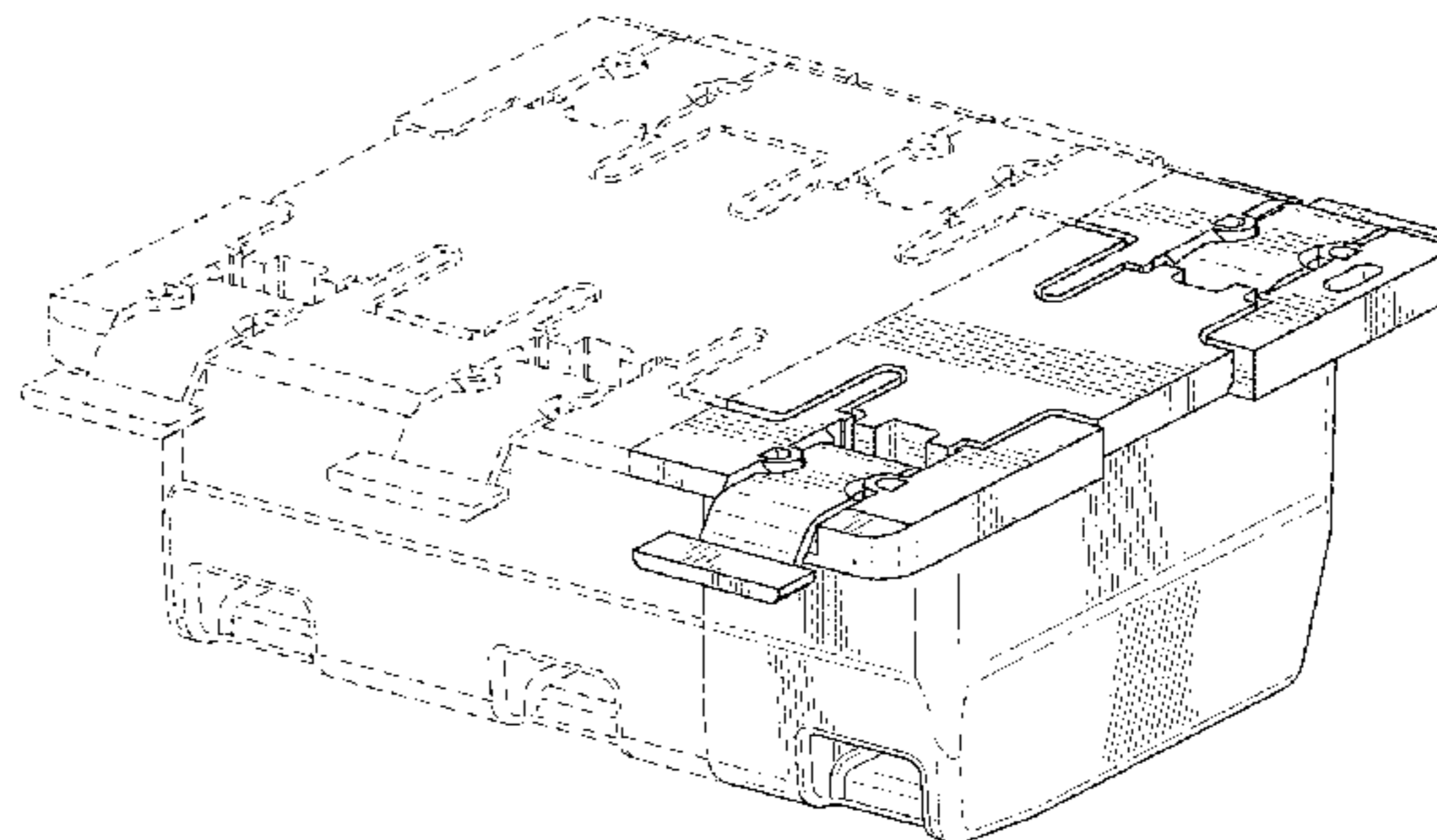
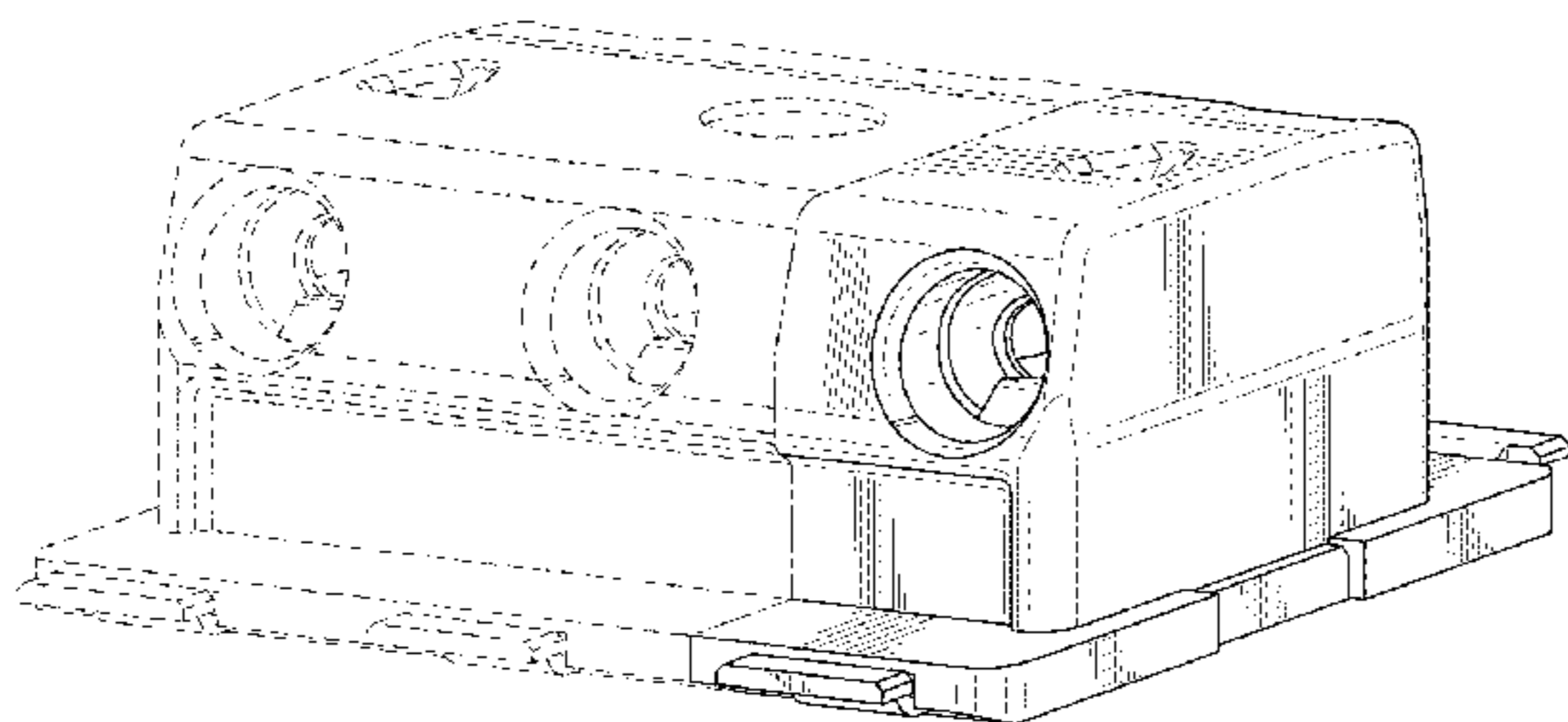
The ornamental design for an electrical connector, as shown and described.

**DESCRIPTION**

FIG. 1 is a top, front and right side perspective view of an electrical connector showing my invention;  
 FIG. 2 is a top, rear and left side perspective view thereof;  
 FIG. 3 is a bottom, rear and right side perspective view thereof;  
 FIG. 4 is a front elevation view thereof;  
 FIG. 5 is a rear elevation view thereof;  
 FIG. 6 is a right side elevation view thereof;  
 FIG. 7 is a top plan view thereof; and,  
 FIG. 8 is a bottom plan view thereof.

The even-broken line represents unclaimed environment structure only and forms no part of the claimed design. The dashed-dot lines represent the boundary of the claimed design.

**1 Claim, 8 Drawing Sheets**



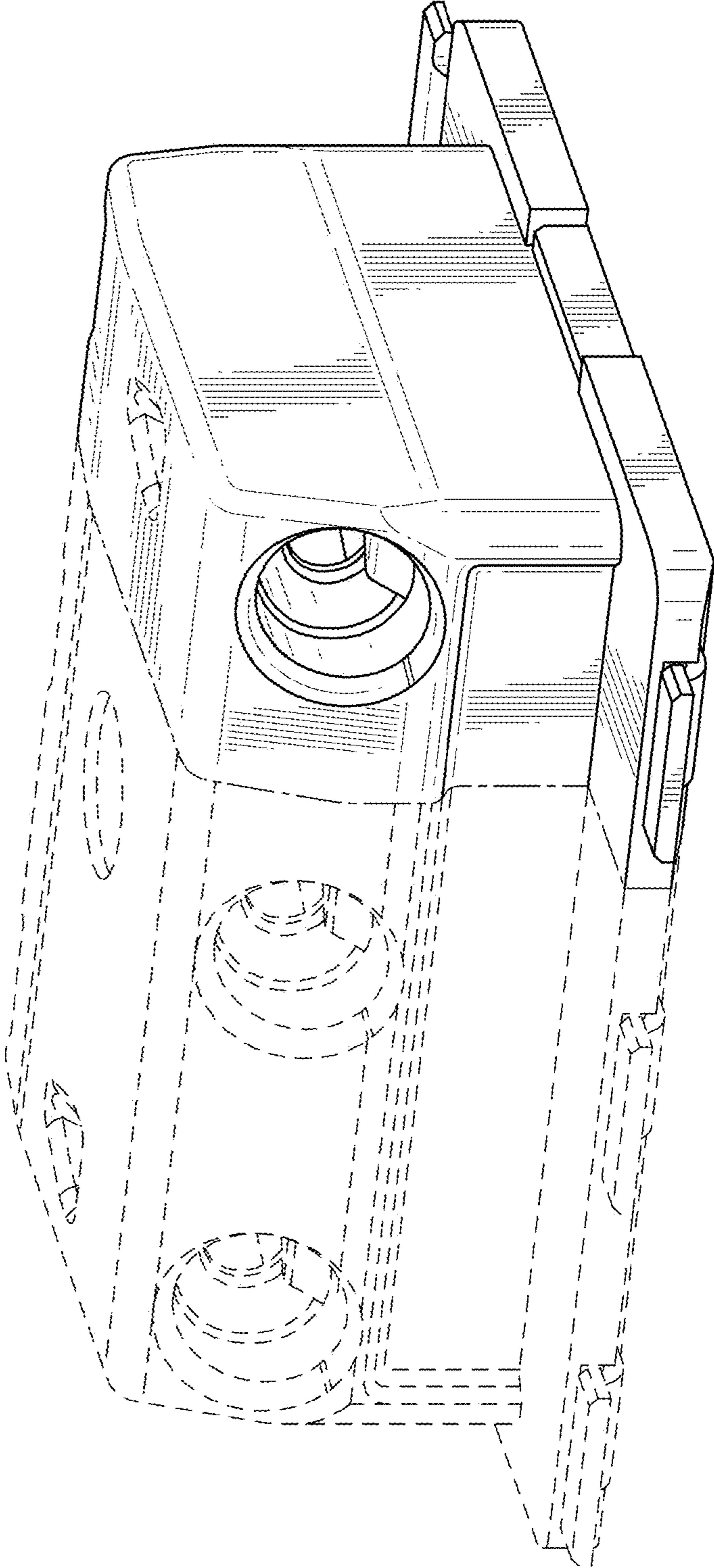


FIG.1

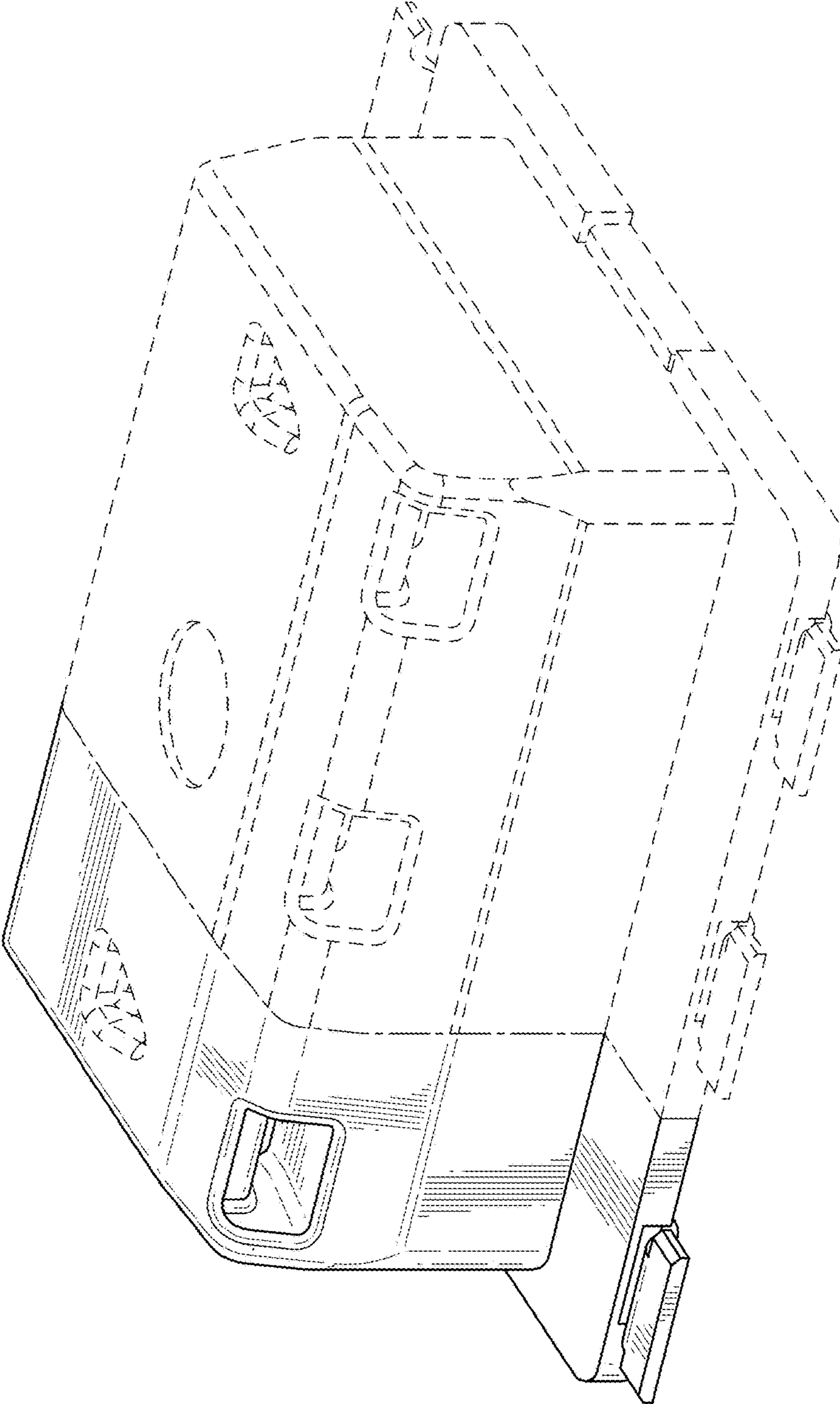


FIG.2

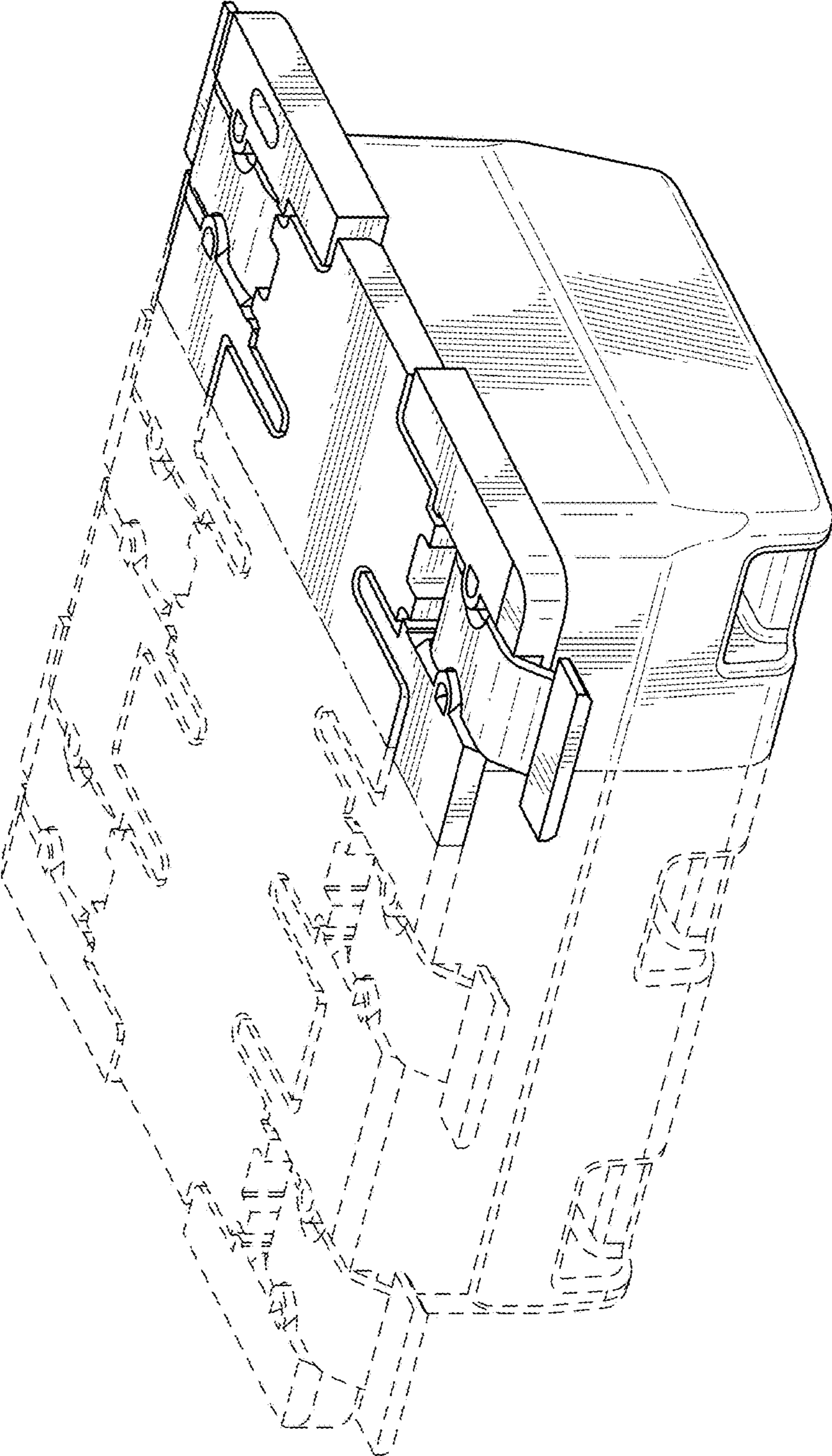


FIG.3

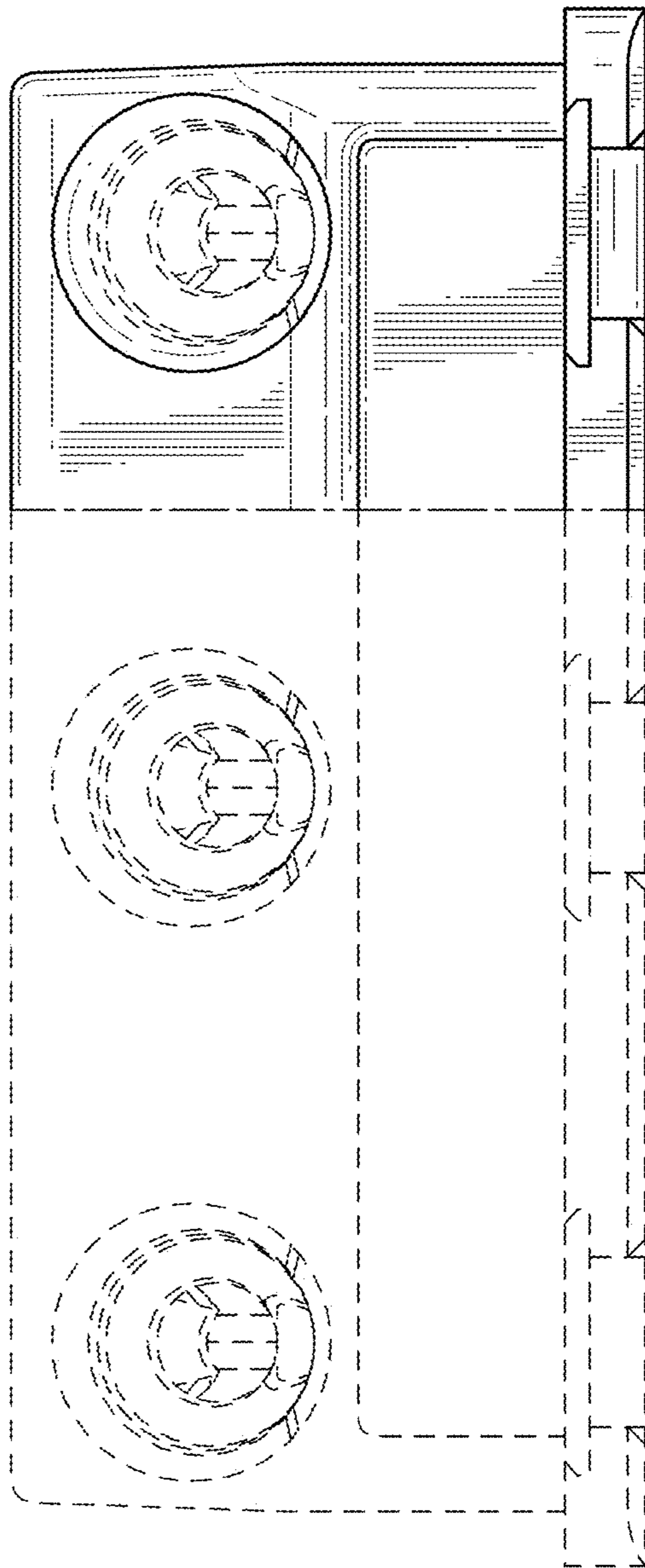


FIG.4

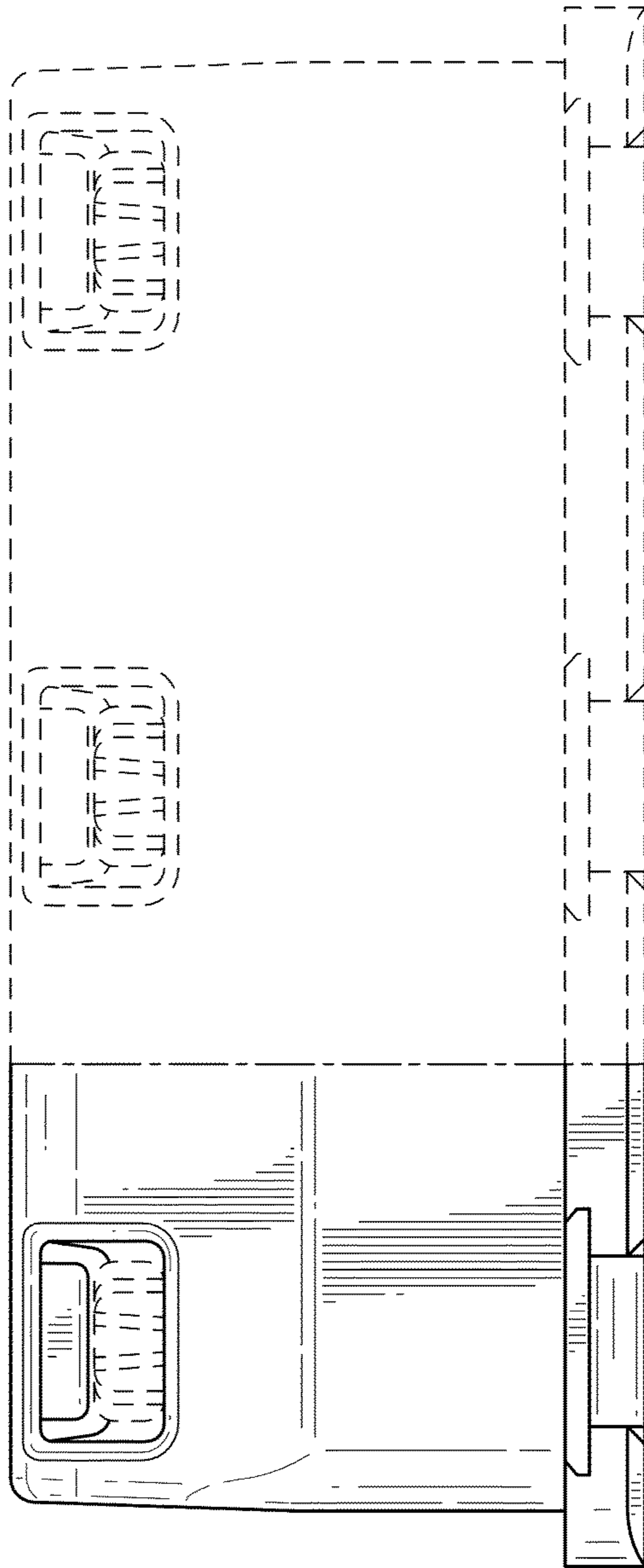


FIG.5

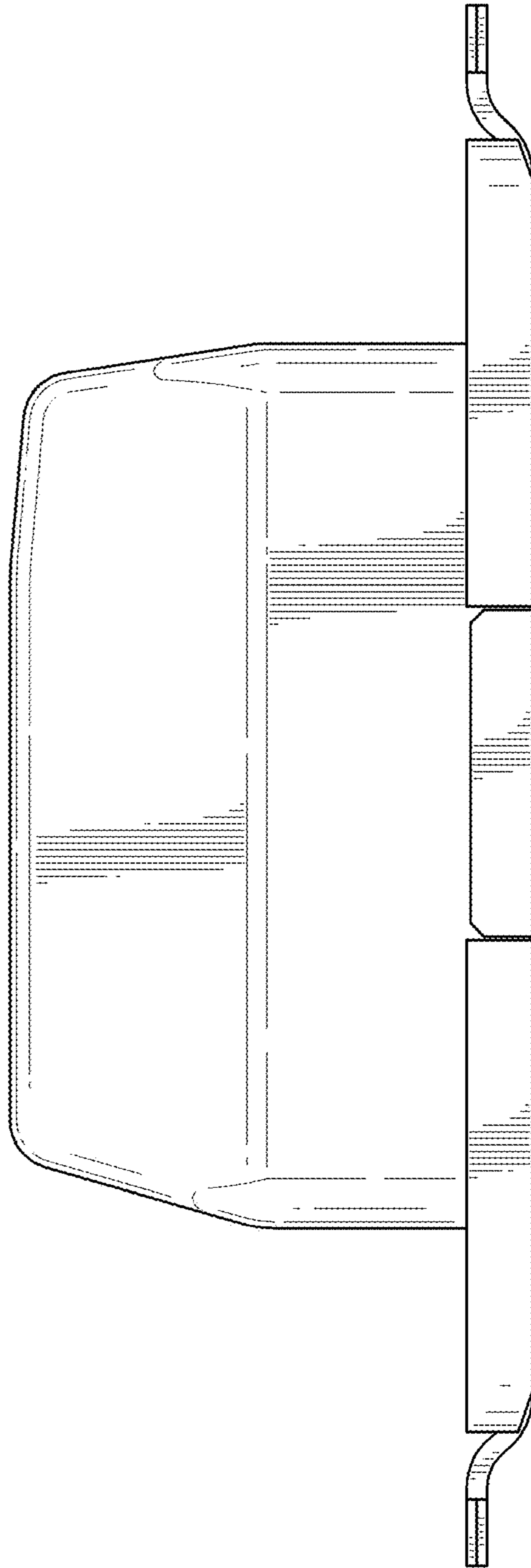


FIG.6

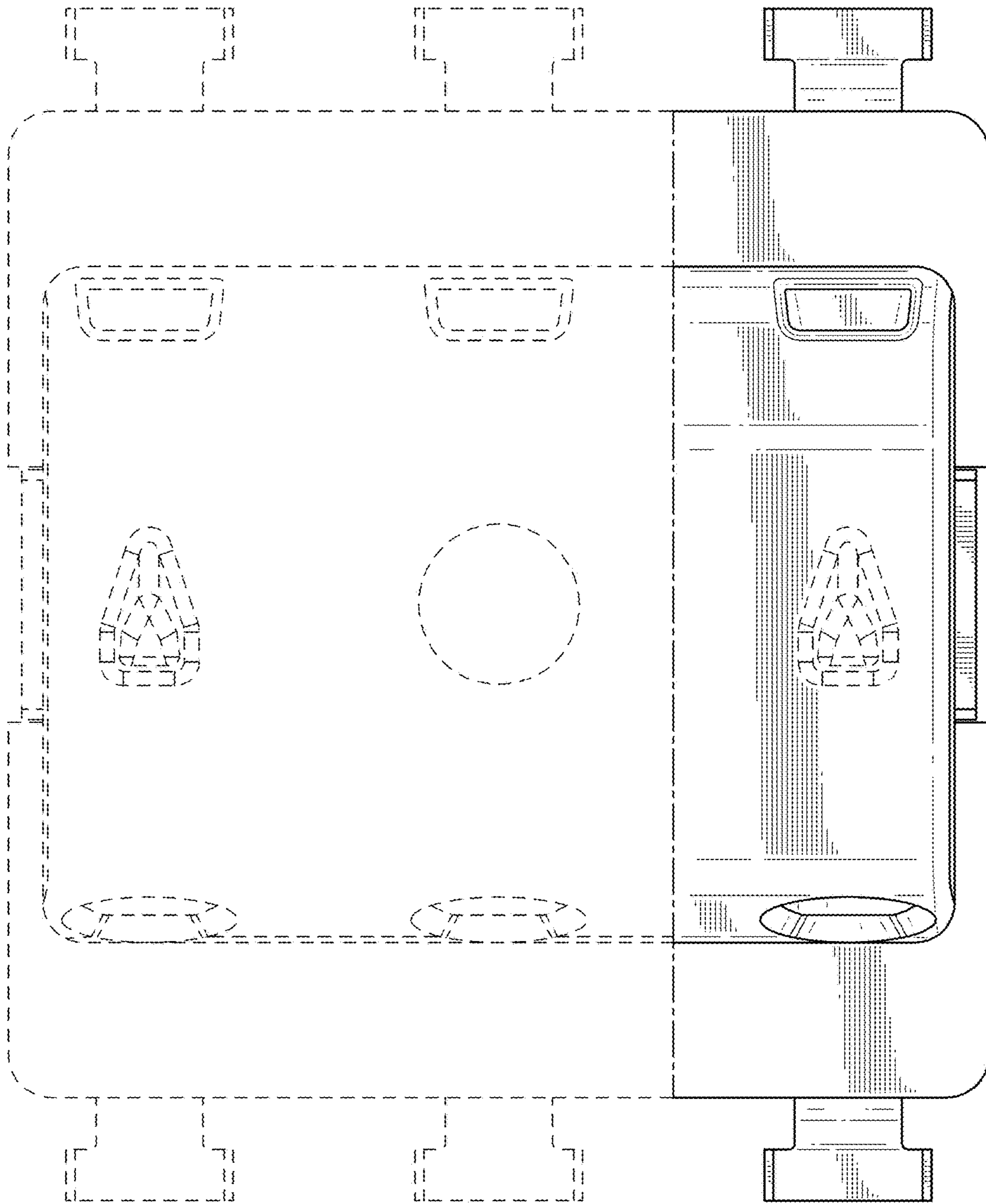


FIG.7



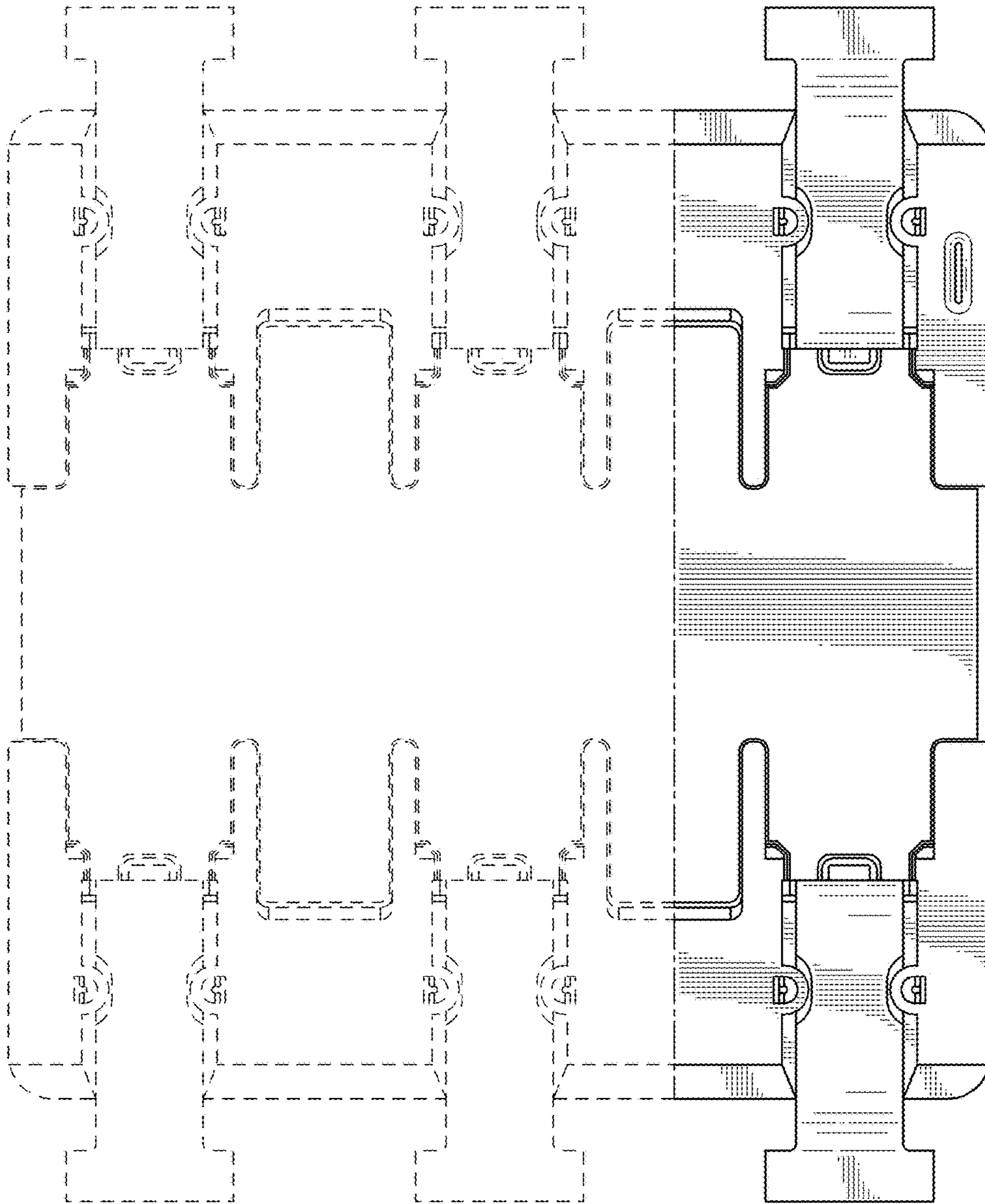


FIG. 8