



US00D848368S

(12) **United States Design Patent**  
**Ikari**

(10) **Patent No.:** **US D848,368 S**

(45) **Date of Patent:** **\*\* May 14, 2019**

(54) **ELECTRICAL CONNECTOR**

FOREIGN PATENT DOCUMENTS

(71) Applicant: **DAI-ICHI SEIKO CO., LTD.**,  
Kyoto-shi (JP)

JP 1337754 7/2008  
JP 1337755 7/2008

(Continued)

(72) Inventor: **Hiroharu Ikari**, Fukuoka (JP)

*Primary Examiner* — Angela J Lee

*Assistant Examiner* — Shawn T Gingrich

(73) Assignee: **DAI-ICHI SEIKO CO., LTD.**,  
Kyoto-shi (JP)

(74) *Attorney, Agent, or Firm* — Oblon, McClelland,  
Maier & Neustadt, L.L.P.

(\*\*) Term: **15 Years**

(57) **CLAIM**

(21) Appl. No.: **29/592,397**

I claim the ornamental design for an electrical connector, as shown and described.

(22) Filed: **Jan. 30, 2017**

**DESCRIPTION**

(30) **Foreign Application Priority Data**

Aug. 3, 2016 (JP) ..... 2016-016584

(51) **LOC (11) Cl.** ..... **13-03**

(52) **U.S. Cl.**  
USPC ..... **D13/133; D13/149**

(58) **Field of Classification Search**  
USPC ..... D13/110, 118, 120, 123, 133, 145–147,  
D13/149, 154, 156, 173, 184, 199  
CPC ..... H01R 12/00; H01R 12/51; H01R 12/70;  
H01R 12/72; H01R 13/00; H01R 13/15;  
H01R 13/62; H01R 13/627; H01R  
13/639; H01R 13/64; H01R 13/65; H01R  
24/60; H01R 43/16

See application file for complete search history.

FIG. 1 is a top plan view of an electrical connector of an embodiment showing my new design;  
FIG. 2 is a front elevational view thereof;  
FIG. 3 is a rear elevational view thereof;  
FIG. 4 is a bottom plan view thereof;  
FIG. 5 is a right side elevational view thereof;  
FIG. 6 is a front, top, and right side perspective view thereof;  
FIG. 7 is a front, bottom, and right side perspective view thereof;  
FIG. 8 is a right side elevational view thereof, in an open state;  
FIG. 9 is a front, top, and right side perspective view thereof, in an open state; and,  
FIG. 10 is a front, top, and right side perspective view thereof, in a use condition coupled with a platy signal transmission media.

Herein, the left side elevational view is a mirror image of the right side elevational view. Also, the evenly spaced broken lines in the drawings illustrate features of the electrical connector and environmental subject matter that form no part of the claimed design. The dot-dash broken lines in the drawings illustrate borders between claimed and unclaimed subject matter and form no part of the claimed design.

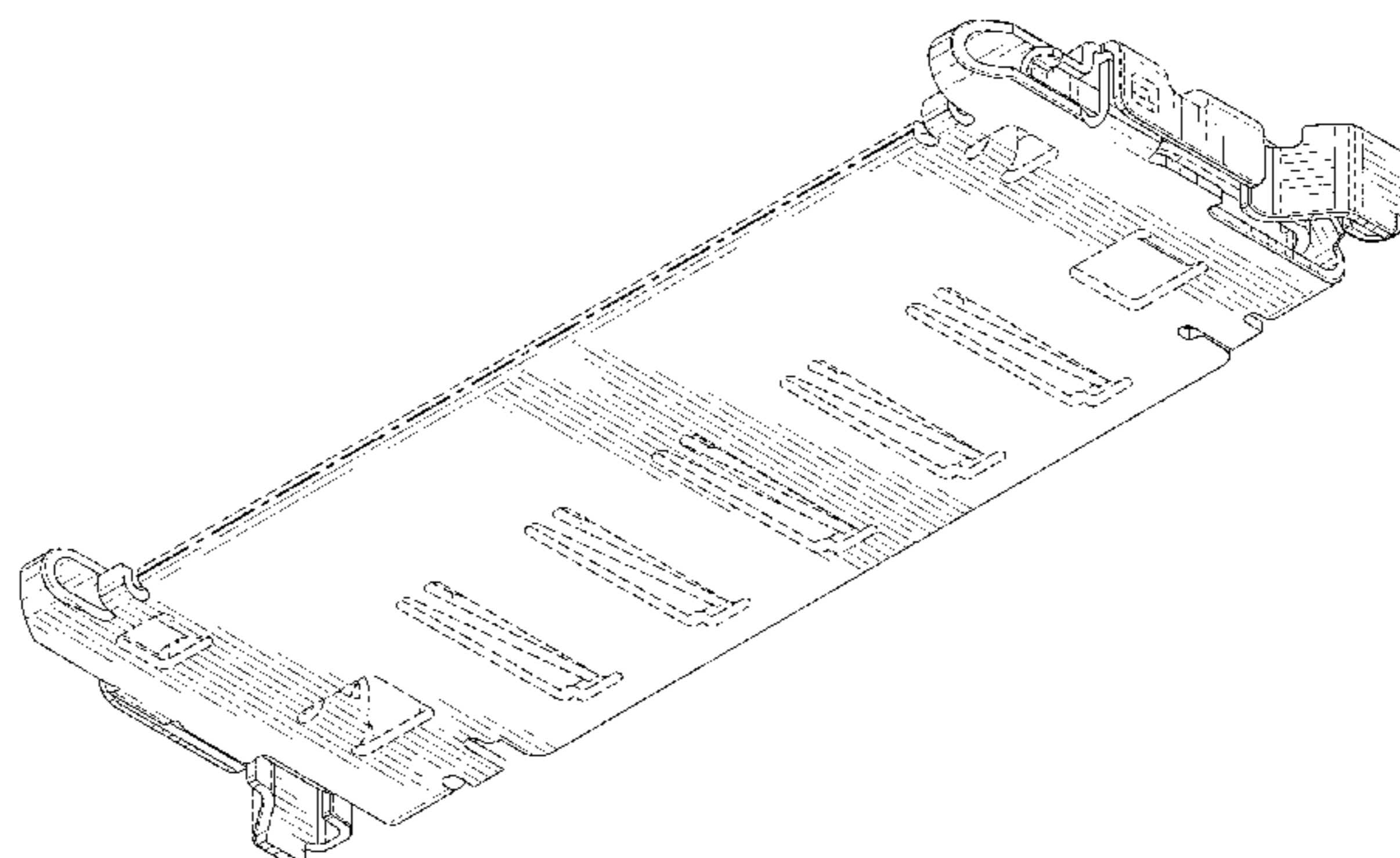
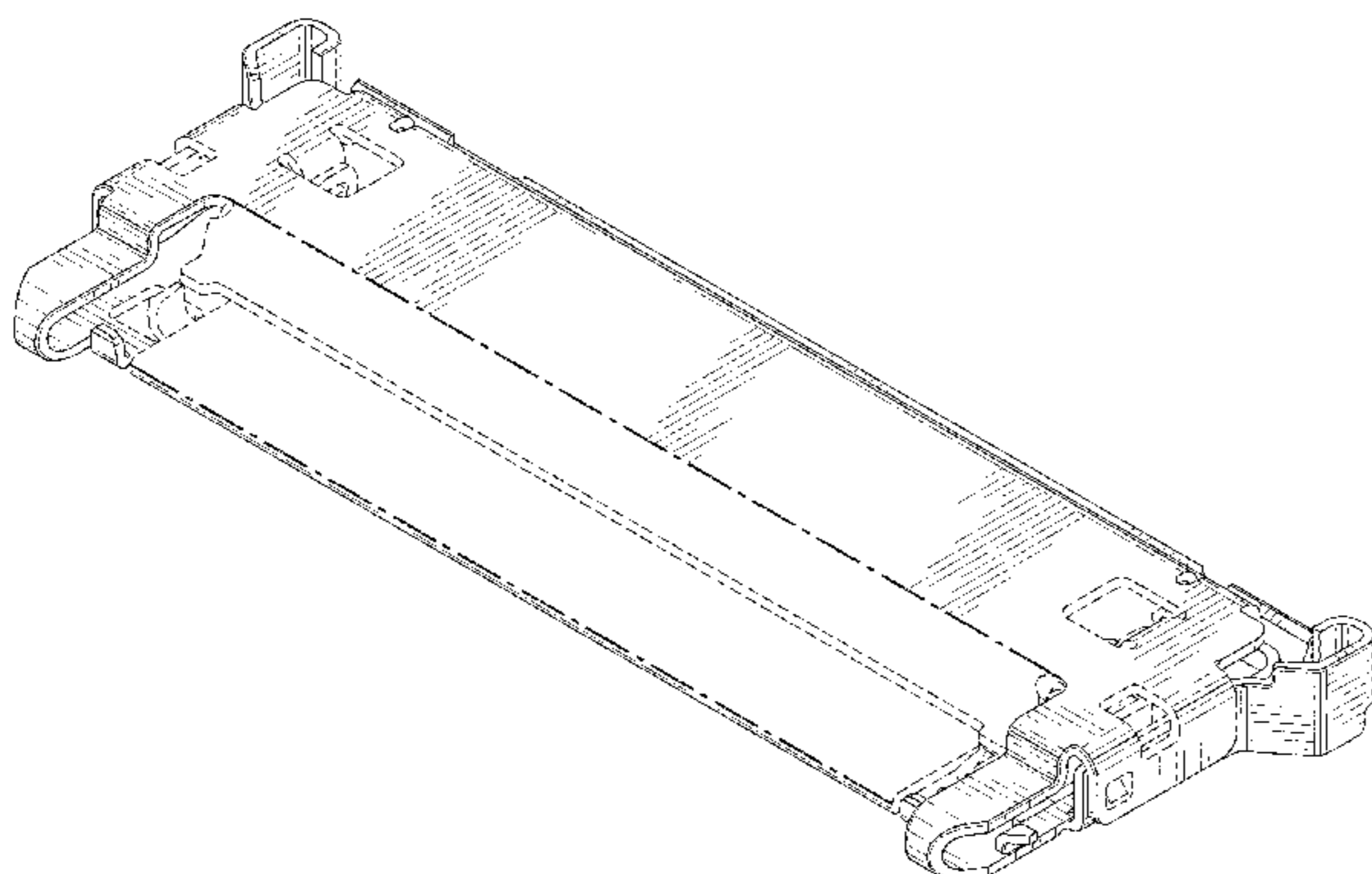
(56) **References Cited**

U.S. PATENT DOCUMENTS

D456,777 S \* 5/2002 Igarashi ..... D13/147  
D456,779 S \* 5/2002 Igarashi ..... D13/147  
D456,780 S \* 5/2002 Igarashi ..... D13/147  
D531,126 S \* 10/2006 Suzuki ..... D13/147  
D531,582 S \* 11/2006 Suzuki ..... D13/147

(Continued)

**1 Claim, 10 Drawing Sheets**



(56)

**References Cited**

U.S. PATENT DOCUMENTS

D602,874	S *	10/2009	Tagawa .....	D13/147
D606,495	S *	12/2009	Hamauchi .....	D13/147
D607,410	S *	1/2010	Ikari .....	D13/147
D607,411	S *	1/2010	Hirakawa .....	D13/147
D673,505	S *	1/2013	Matoba .....	D13/147
D690,270	S *	9/2013	Ozeki .....	D13/147
D695,689	S *	12/2013	Yoshisuji .....	D13/147
D704,665	S *	5/2014	Ozeki .....	D13/147
D725,596	S *	3/2015	Ikari .....	D13/147
D730,296	S *	5/2015	Ishimaru .....	D13/147
2011/0034076	A1 *	2/2011	Tagawa .....	H01R 13/658 439/607.01
2011/0136380	A1 *	6/2011	Kurachi .....	H01R 13/65802 439/607.35
2012/0329300	A1 *	12/2012	Ikari .....	H01R 12/7029 439/153
2013/0309891	A1 *	11/2013	Tateishi .....	H01R 12/774 439/310
2014/0273597	A1 *	9/2014	Ishimaru .....	H01R 12/774 439/358
2016/0308308	A1 *	10/2016	Masunaga .....	H01R 12/7005
2017/0093066	A1 *	3/2017	Asanuma .....	H01R 12/774

FOREIGN PATENT DOCUMENTS

JP	1337757	7/2008
JP	1337758	7/2008
JP	1355628	3/2009
JP	1355629	3/2009
JP	1456219	10/2012
JP	1521799	3/2015

\* cited by examiner

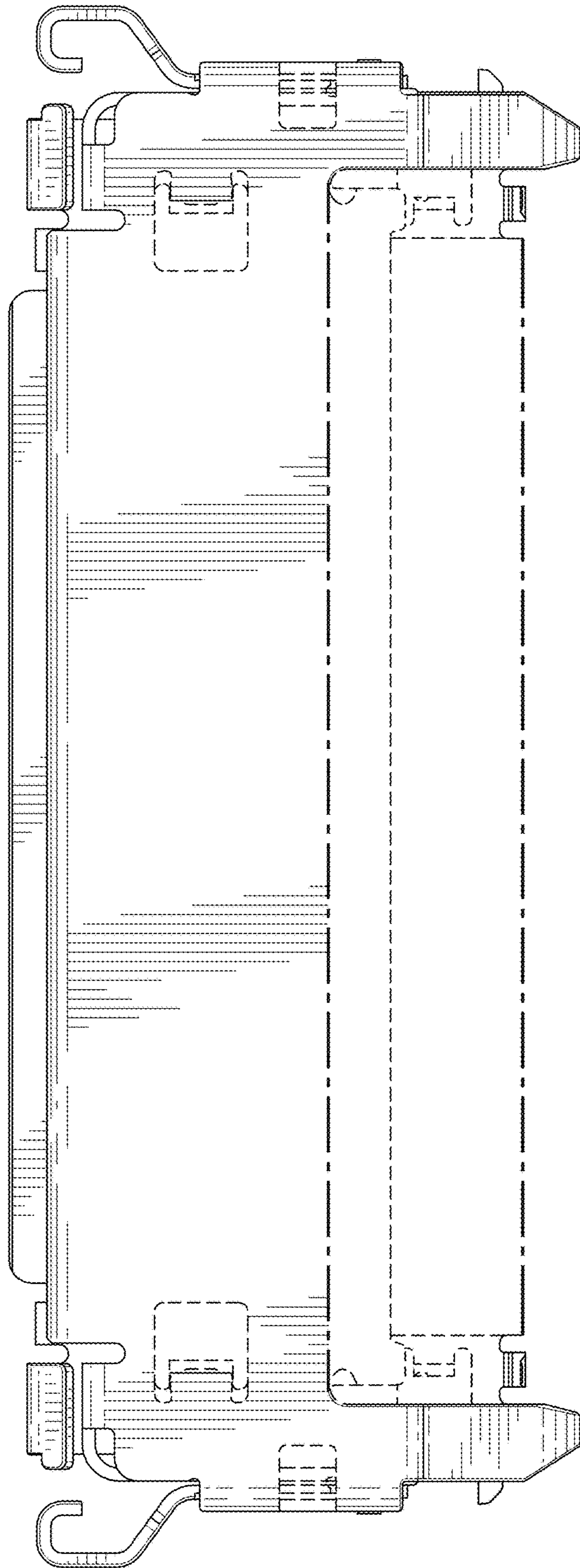


FIG. 1

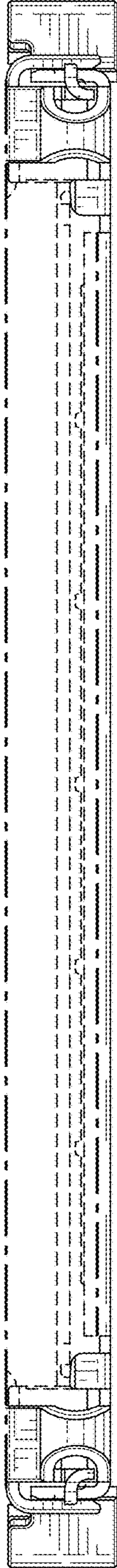


FIG. 2

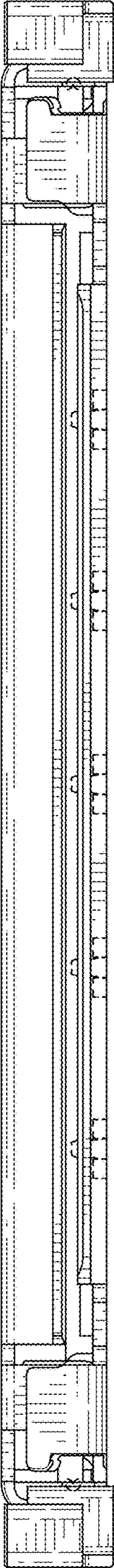


FIG. 3

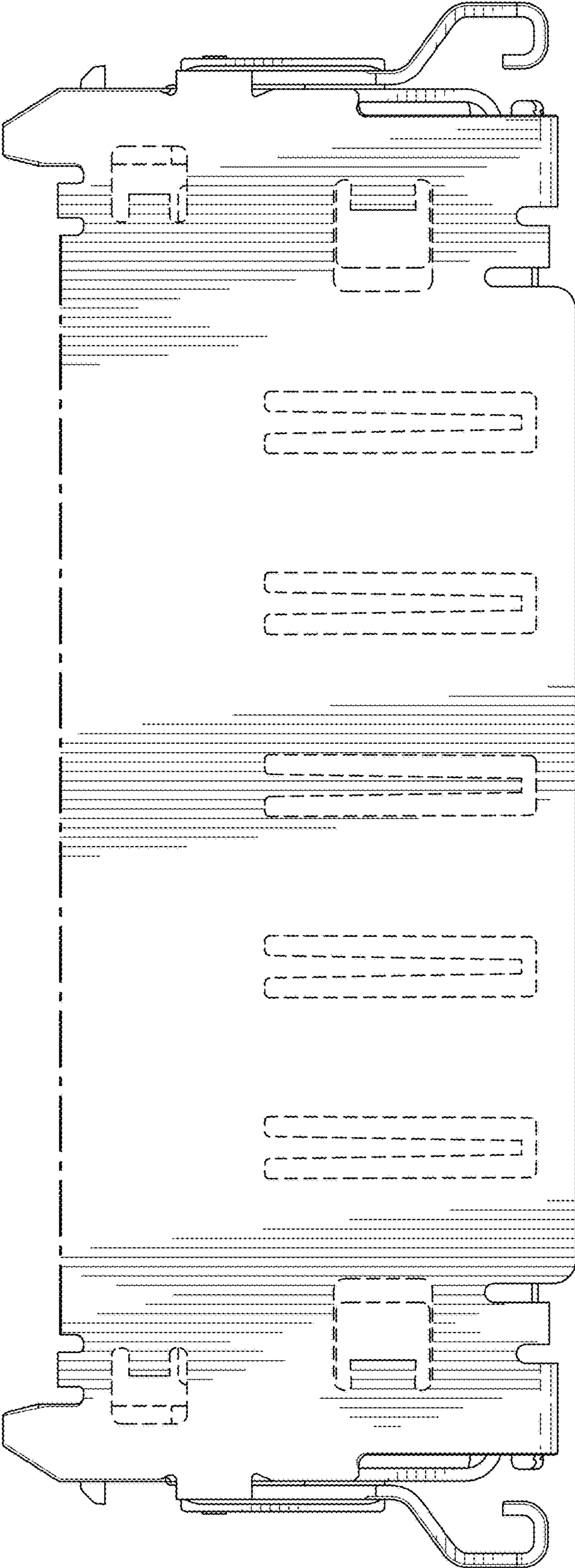


FIG. 4

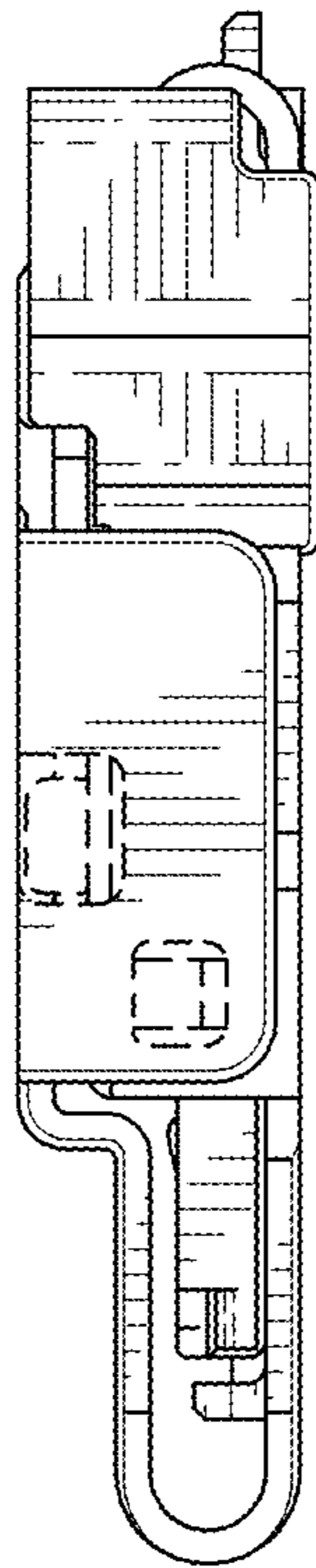


FIG. 5

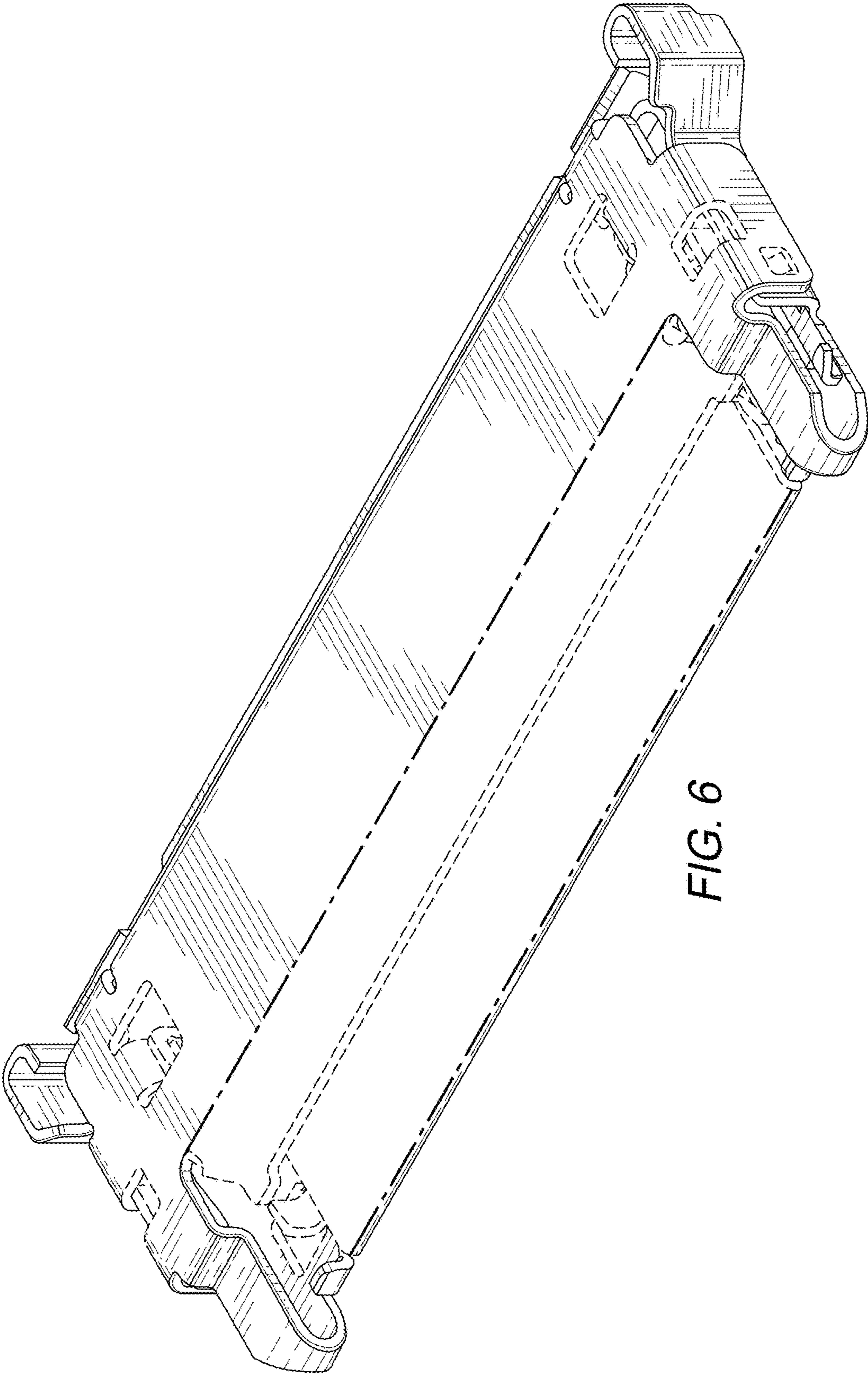


FIG. 6



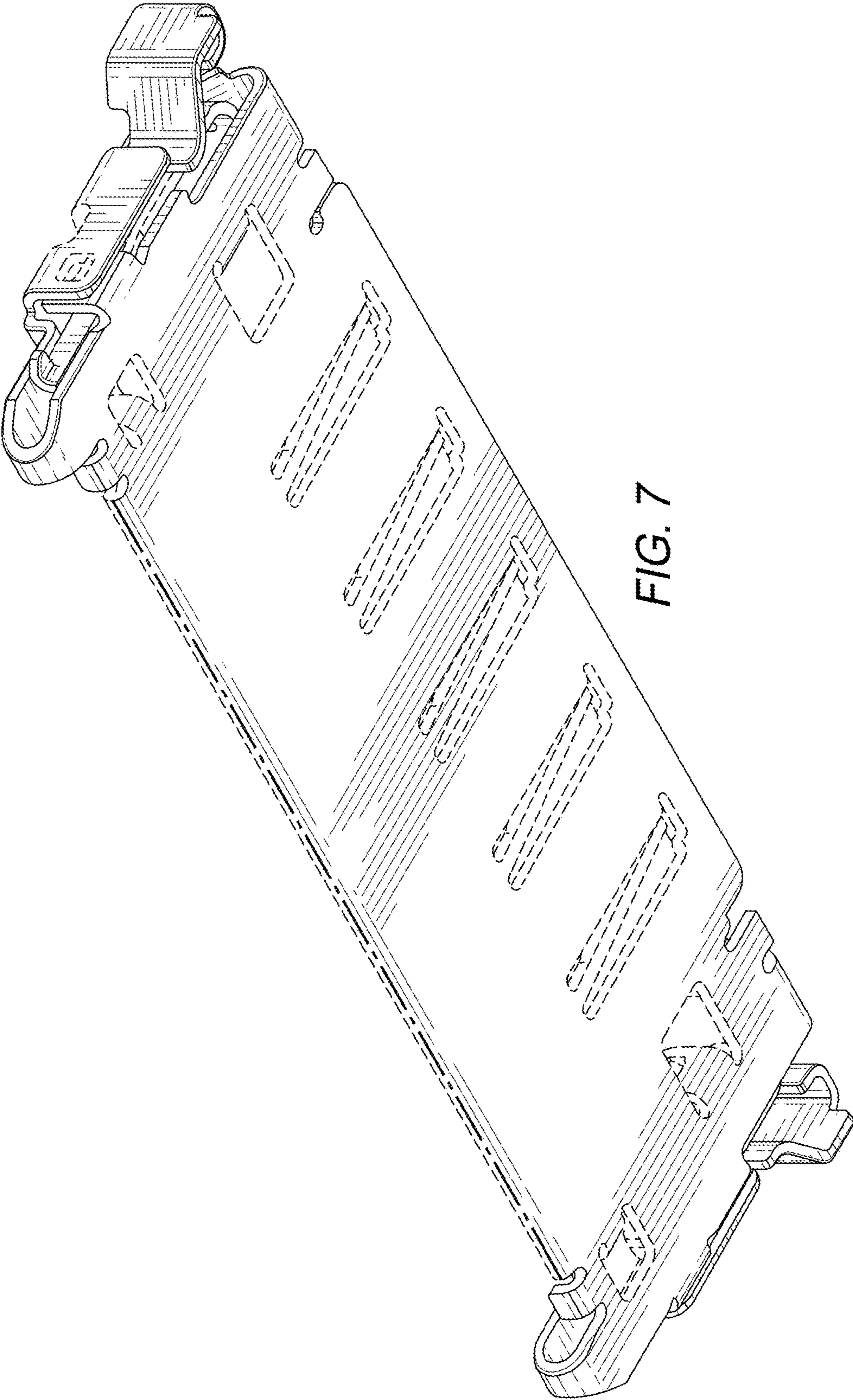


FIG. 7

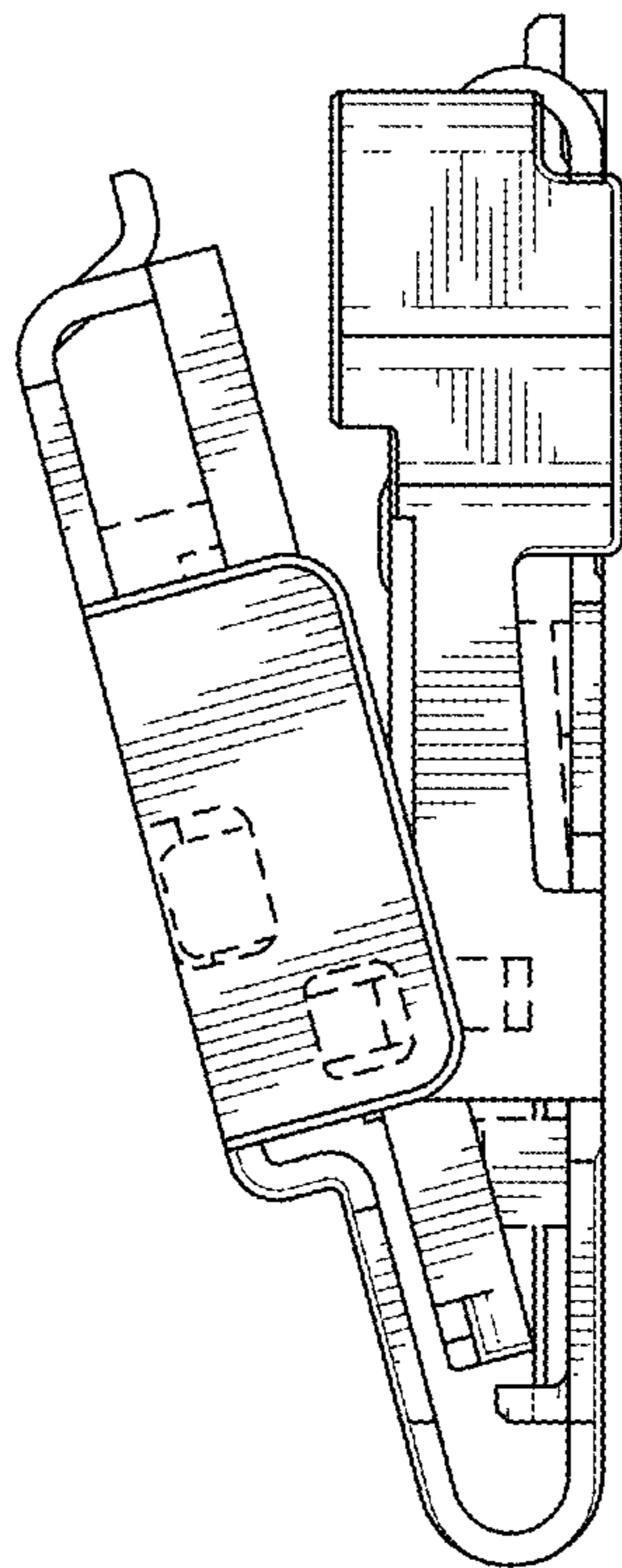


FIG. 8

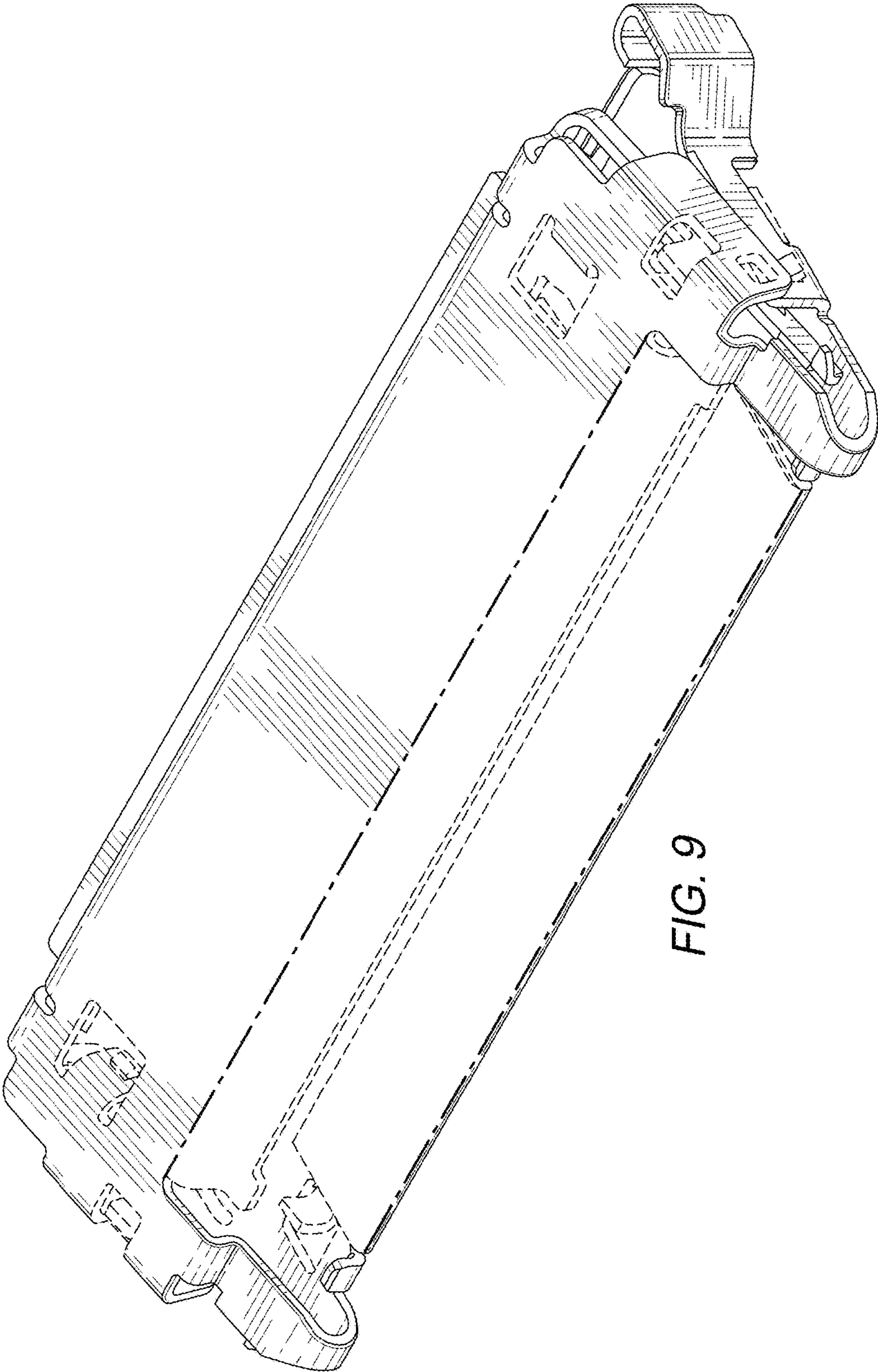


FIG. 9

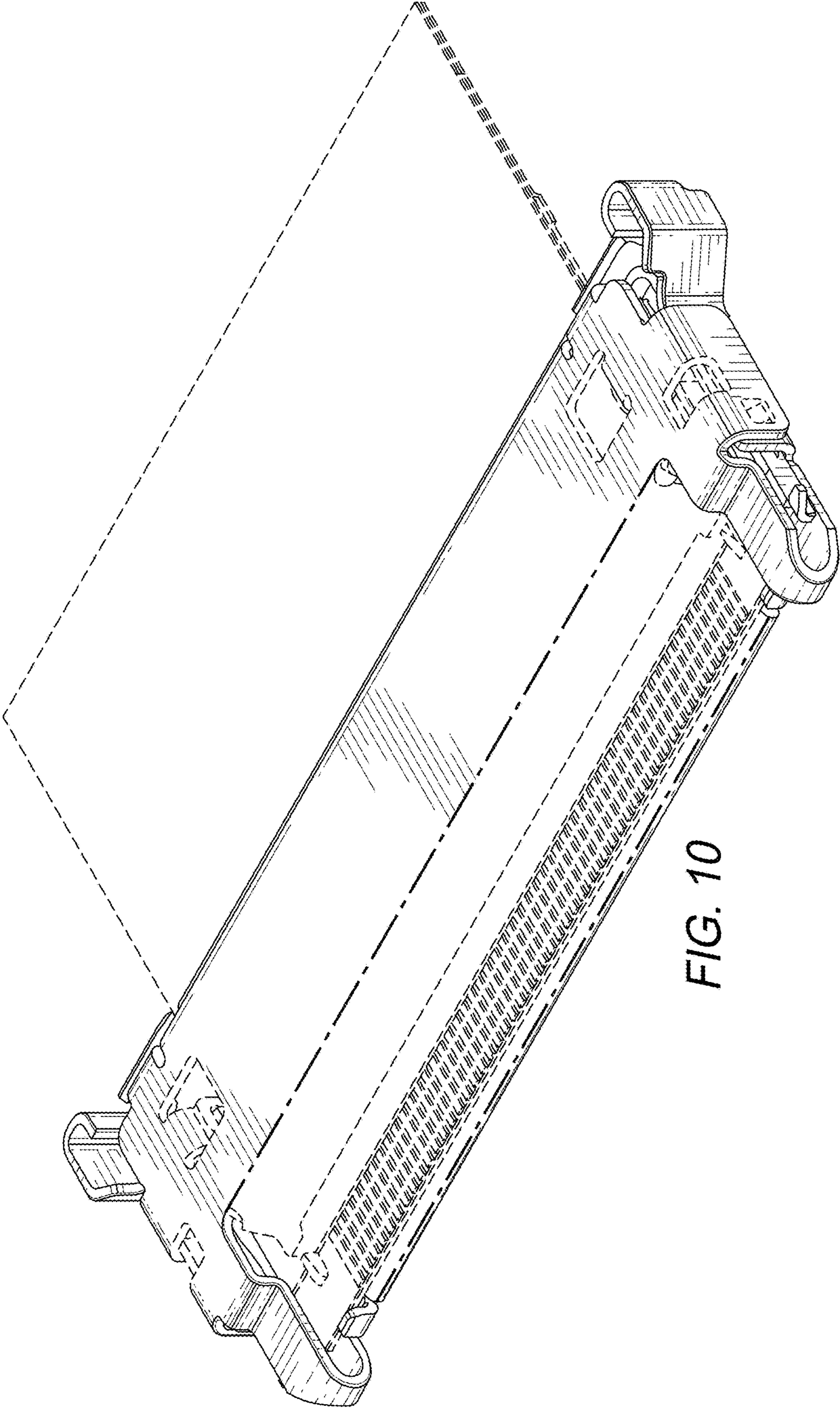


FIG. 10