



US00D848367S

(12) **United States Design Patent** (10) **Patent No.:** **US D848,367 S**  
**Chen** (45) **Date of Patent:** **\*\* May 14, 2019**

- (54) **TATTOO MACHINE TERMINAL**
- (71) Applicant: **Guangzhou Ekai Electronic Technology Co., Ltd.**, Guangzhou, Guangdong Province (CN)
- (72) Inventor: **Yonghua Chen**, Guangzhou (CN)
- (73) Assignee: **Guangzhou Ekai Electronic Technology Co., Ltd.**, Guangzhou, Guangdong (CN)
- (\*\*) Term: **15 Years**
- (21) Appl. No.: **29/621,263**
- (22) Filed: **Oct. 5, 2017**
- (51) **LOC (11) Cl.** ..... **13-03**
- (52) **U.S. Cl.**  
USPC ..... **D13/110; D13/162**
- (58) **Field of Classification Search**  
USPC ..... D13/110, 162; D14/341, 371, 383, 389;  
D24/133.144, 146, 186, 232  
CPC ... A61B 18/203; A61M 37/0076; A45D 34/04  
See application file for complete search history.

- D571,736 S \* 6/2008 Copeland ..... A61M 37/0076  
D13/110
- D585,056 S \* 1/2009 Ekelund ..... D14/336
- D637,163 S \* 5/2011 Rubino, Jr. .... D13/164
- D663,435 S \* 7/2012 Eikhoff ..... D24/186
- 8,228,666 B2 \* 7/2012 Rickard ..... A61M 37/0076  
361/679.01
- D673,952 S \* 1/2013 Toda ..... D14/383
- 8,663,162 B2 \* 3/2014 Bunting ..... A45D 34/04  
604/116
- D716,298 S \* 10/2014 De La Cruz ..... D14/371
- D720,393 S \* 12/2014 Held ..... D18/4.4
- D723,549 S \* 3/2015 Kwong ..... D14/341
- D766,192 S \* 9/2016 Daubenmerkl ..... D13/162
- D784,270 S \* 4/2017 Bhattacharya ..... D13/162
- D805,639 S \* 12/2017 Lee ..... D24/144
- 2009/0125049 A1 \* 5/2009 Copeland ..... A61M 37/0076  
606/186
- 2017/0021154 A1 \* 1/2017 Johansson ..... A61M 37/0076

\* cited by examiner

*Primary Examiner* — Selina Sikder

(57) **CLAIM**

I claim the ornamental design for tattoo machine terminal, as shown and described.

**DESCRIPTION**

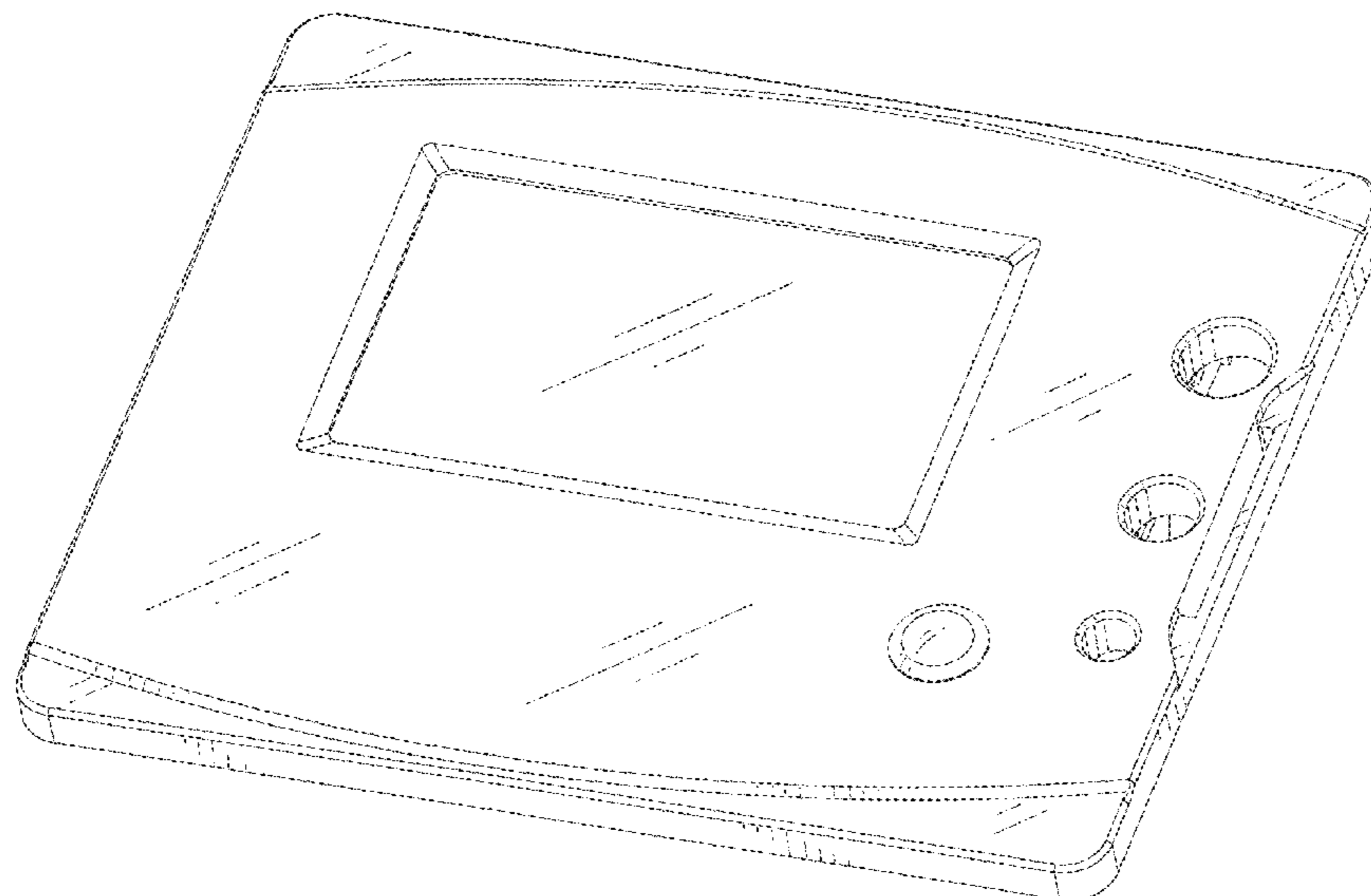
FIG. 1 is a perspective view of tattoo machine terminal showing my new design;  
 FIG. 2 is a front elevational view thereof;  
 FIG. 3 is a rear elevational view thereof;  
 FIG. 4 is a left side elevational view thereof;  
 FIG. 5 is a right side elevational view thereof;  
 FIG. 6 is a top plan view thereof;  
 FIG. 7 is a bottom plan view thereof; and,  
 FIG. 8 is another perspective view showing a bottom part of the tattoo machine terminal.

**1 Claim, 8 Drawing Sheets**

(56) **References Cited**

**U.S. PATENT DOCUMENTS**

- D319,434 S \* 8/1991 Lund ..... D14/341
- D346,025 S \* 4/1994 Chou ..... D24/144
- D348,661 S \* 7/1994 Hansen ..... D14/389
- D451,505 S \* 12/2001 Iseki ..... D14/341
- D468,735 S \* 1/2003 Landerholm ..... D14/336
- D485,265 S \* 1/2004 Sato ..... D14/341
- D498,474 S \* 11/2004 Leisinger ..... D14/336
- D514,558 S \* 2/2006 Nagel ..... D14/341
- D514,565 S \* 2/2006 Haygood ..... D14/371
- D530,715 S \* 10/2006 Wu ..... D14/371



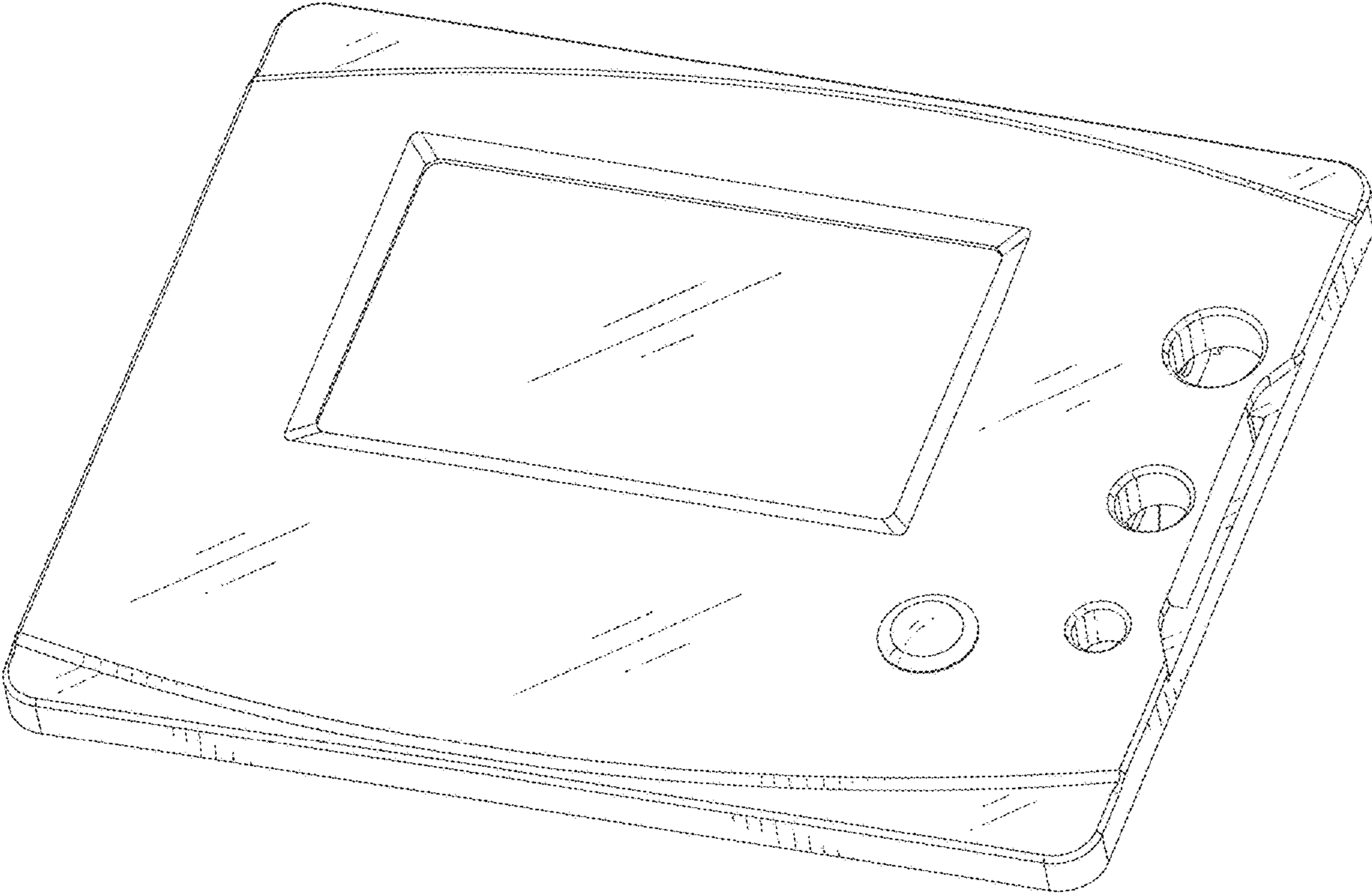


Fig.1

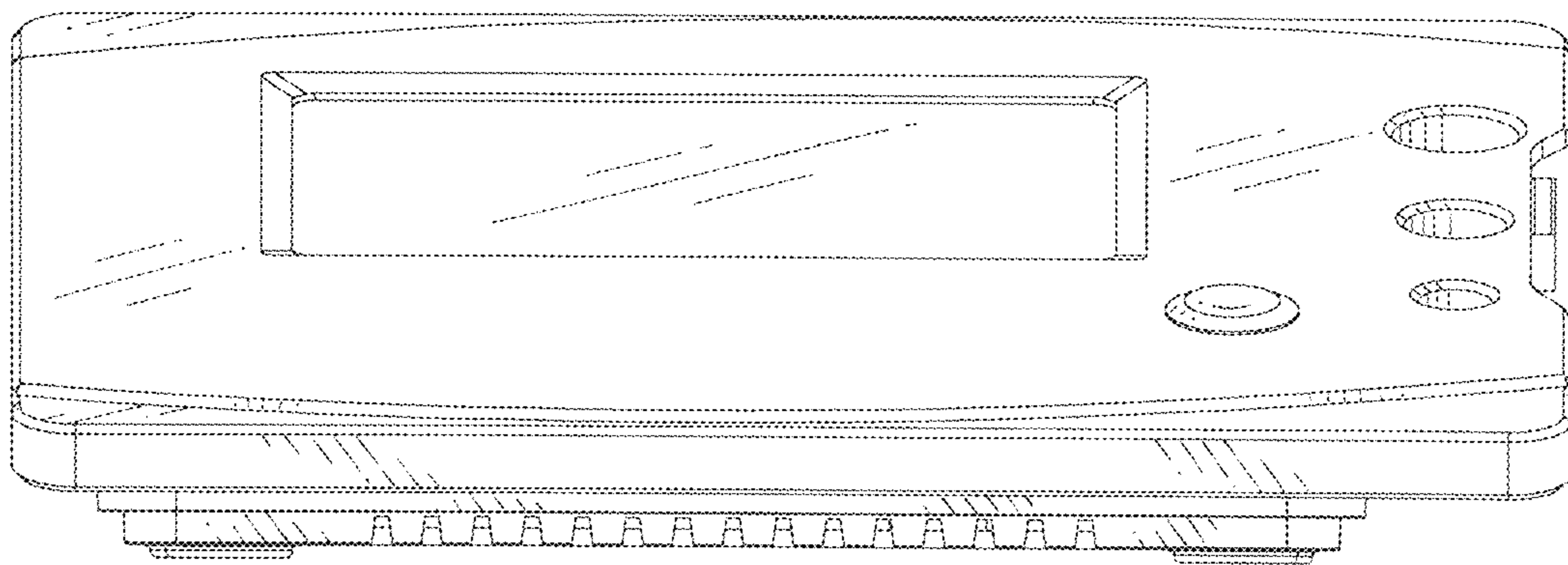


Fig.2

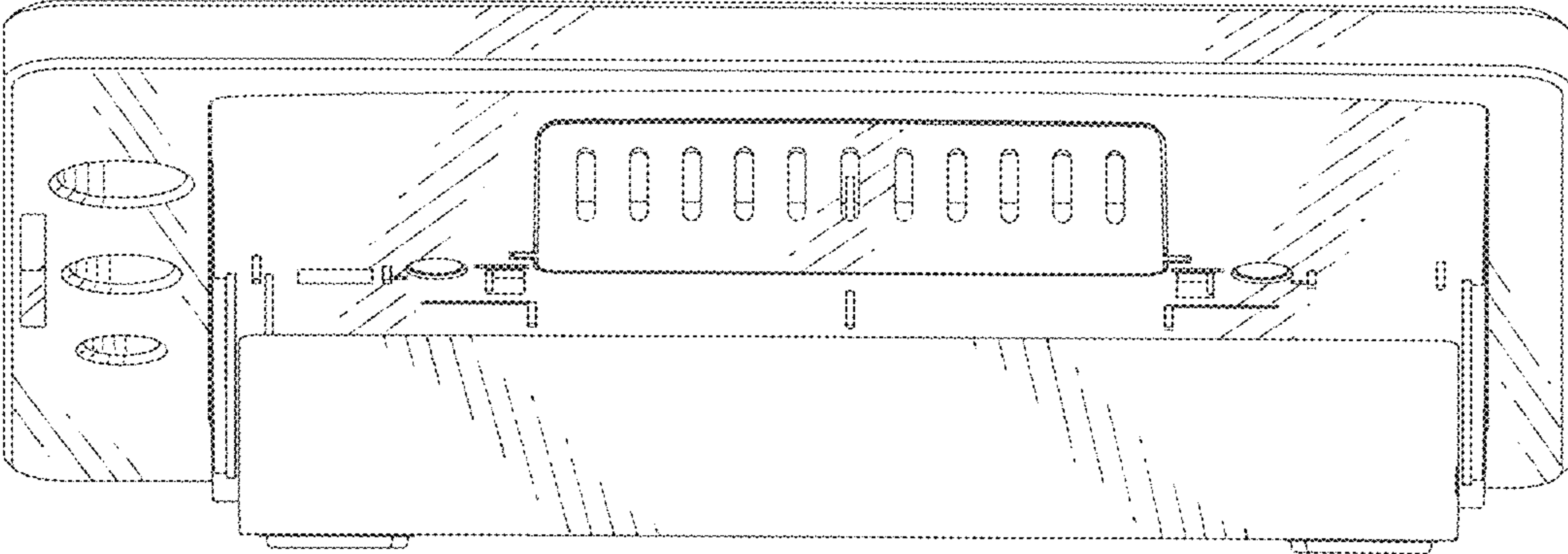


Fig.3

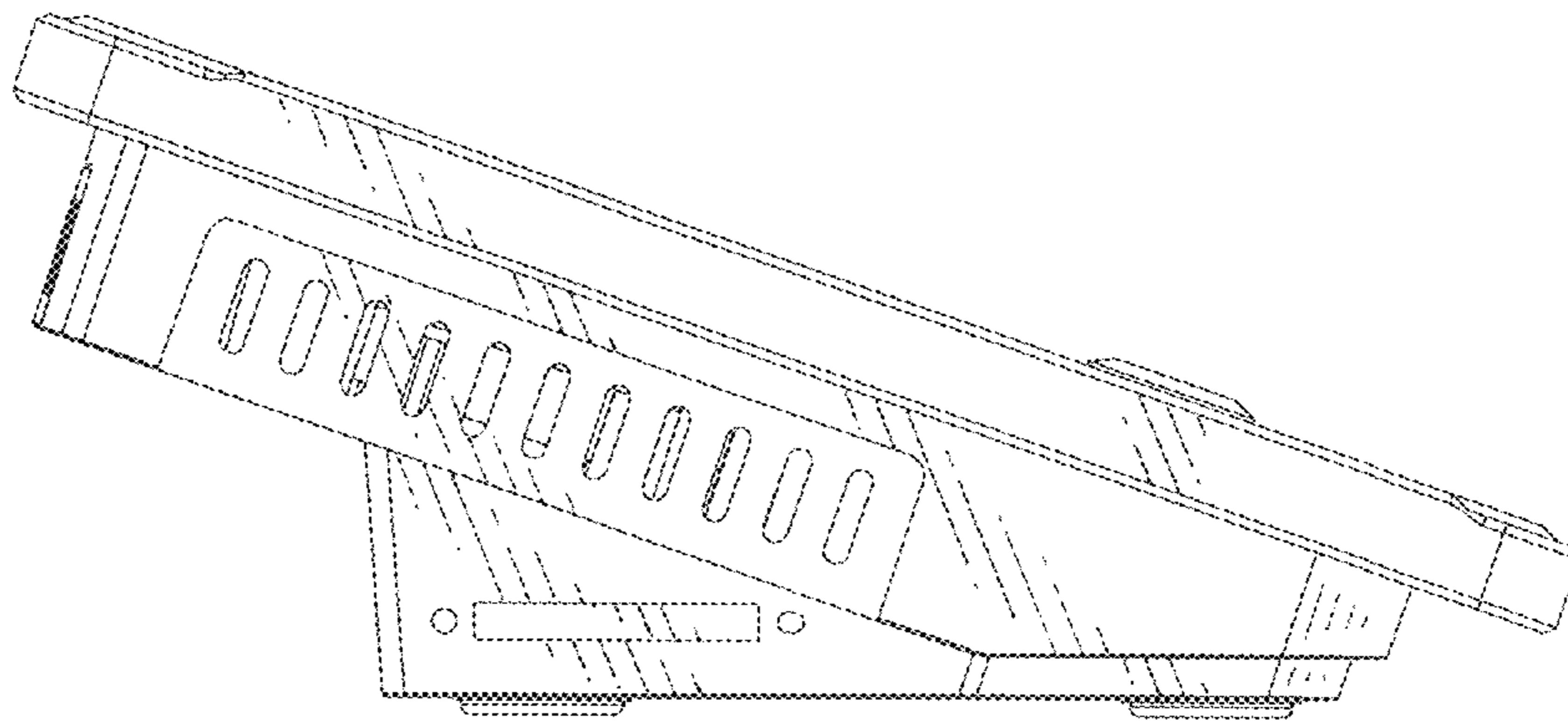


Fig.4

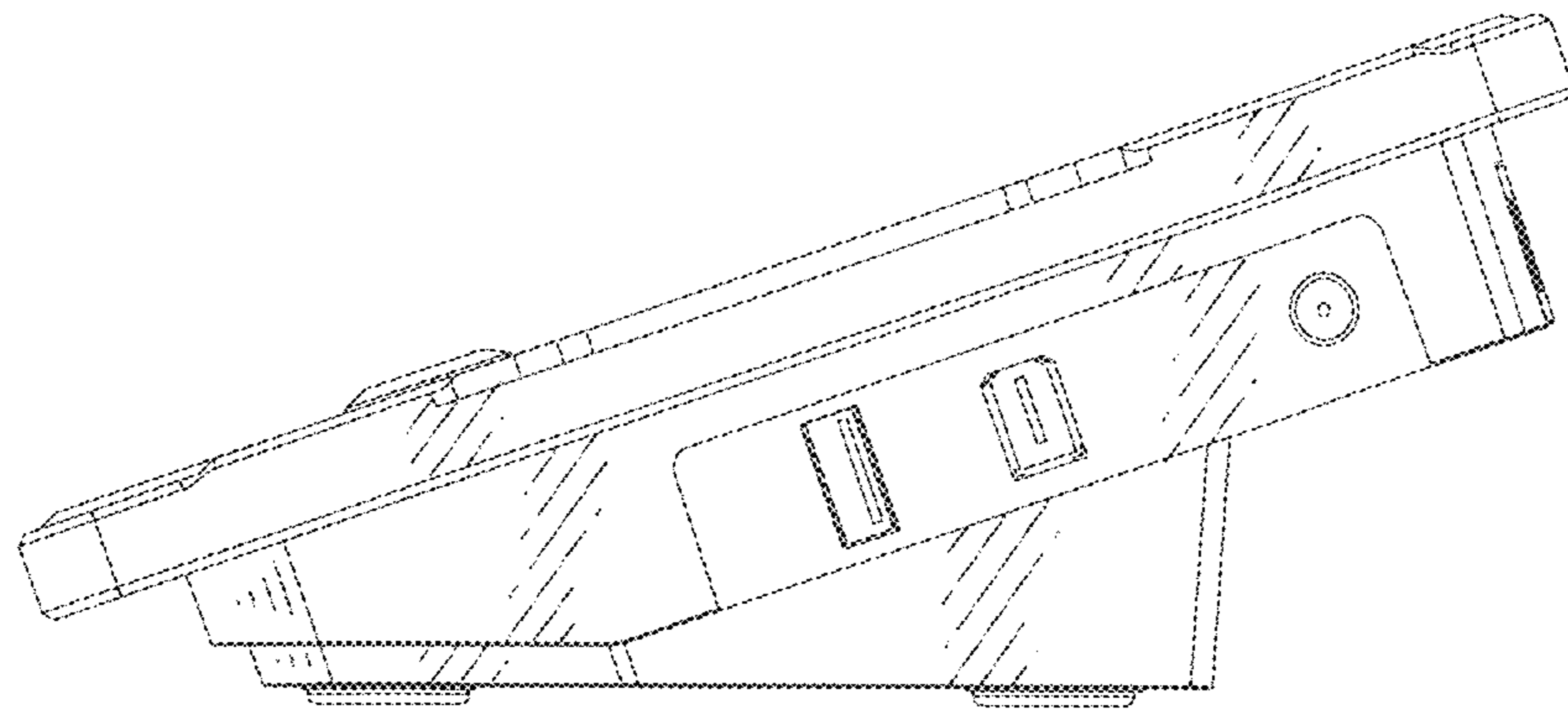


Fig.5

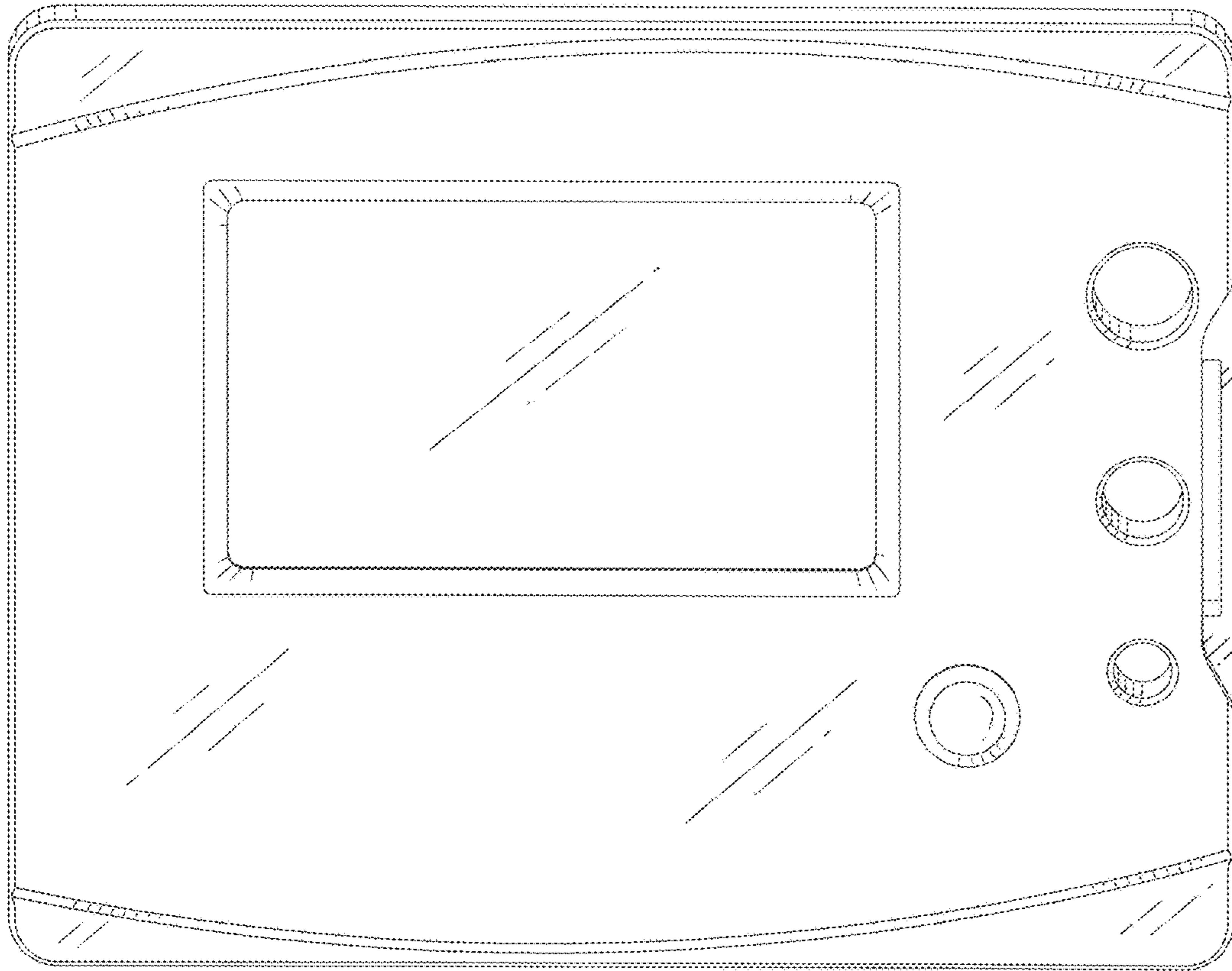


Fig.6

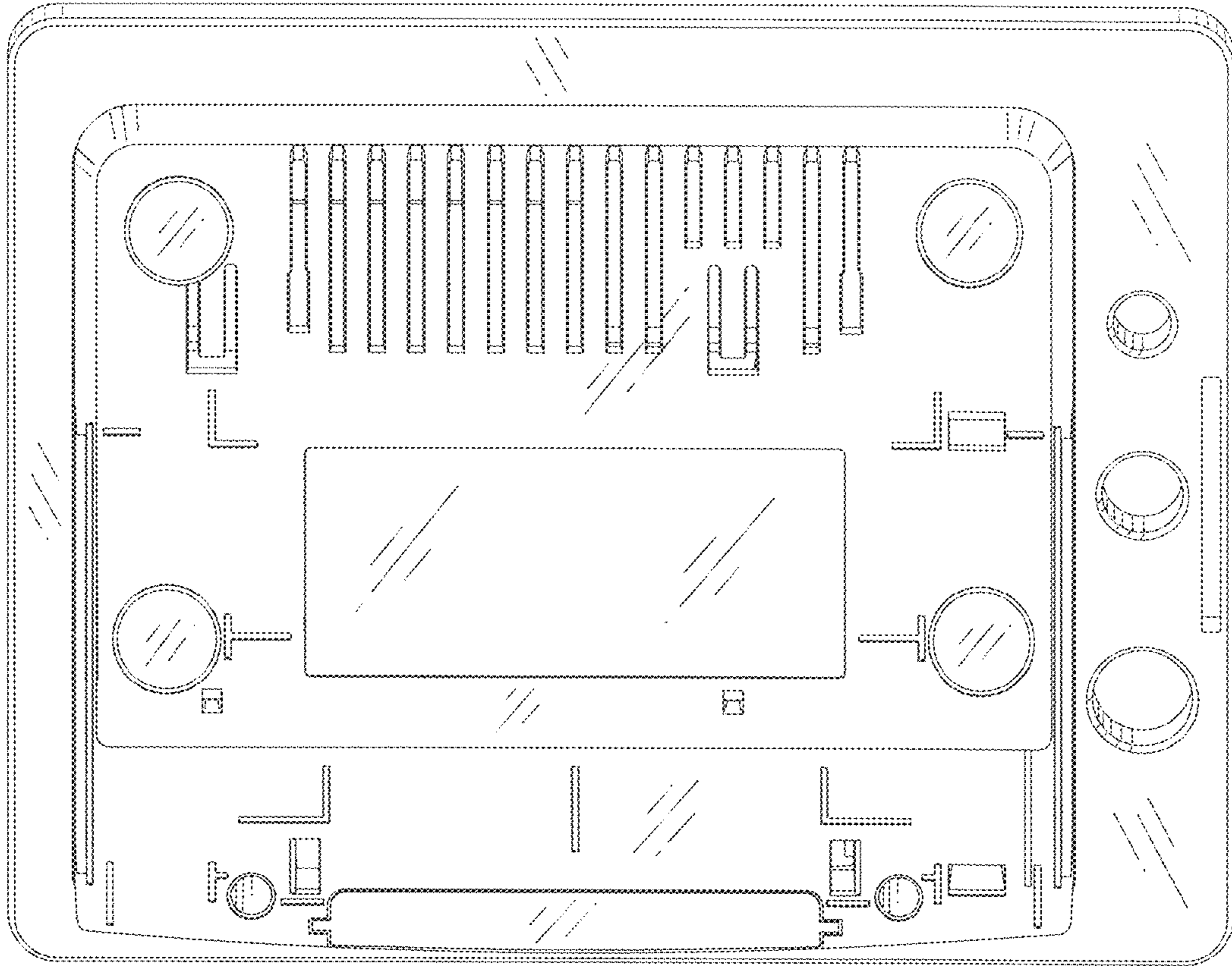


Fig.7



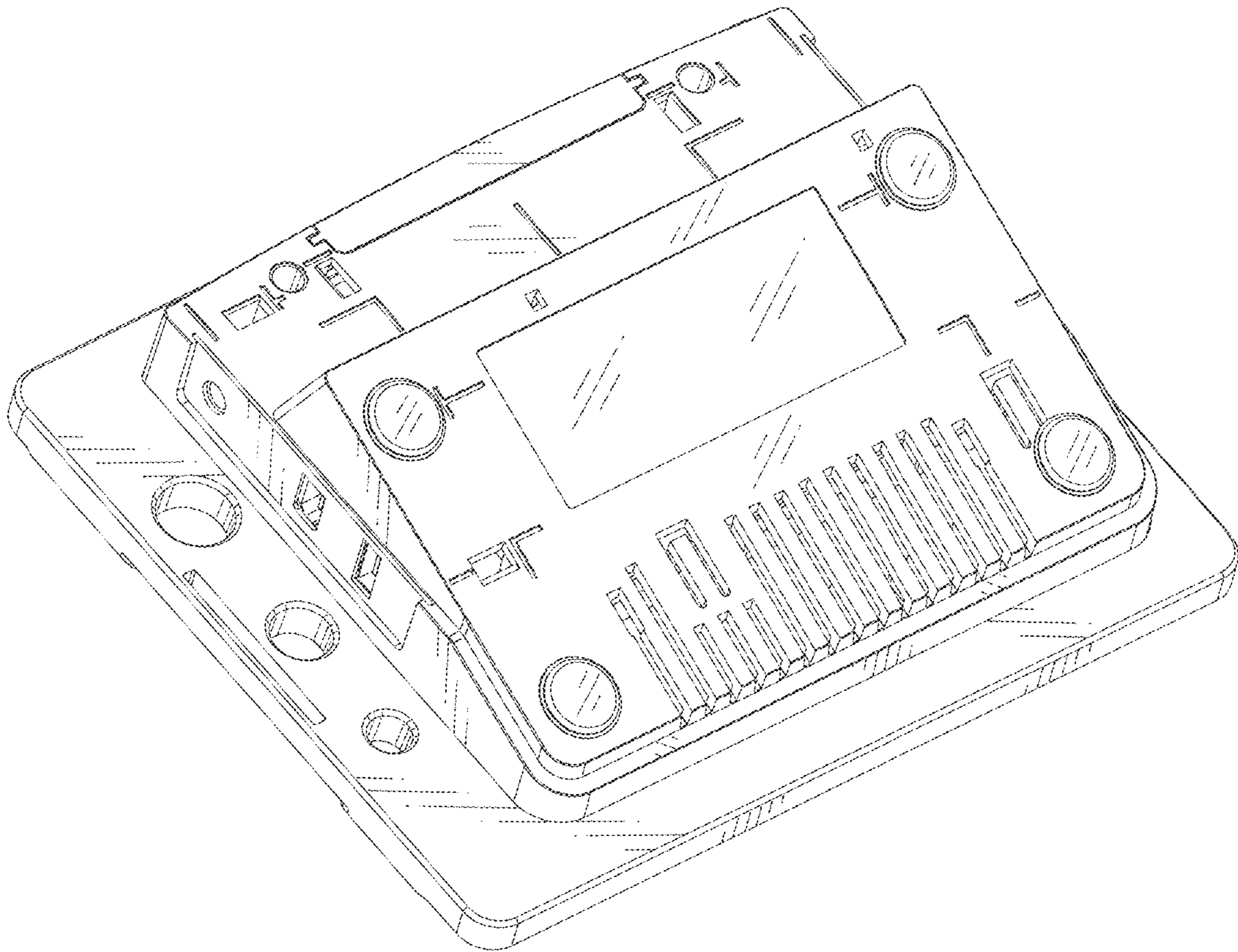


Fig.8