



US00D848366S

(12) **United States Design Patent**
Lian

(10) **Patent No.:** **US D848,366 S**

(45) **Date of Patent:** **** May 14, 2019**

(54) **POWER BANK**

(71) Applicant: **SHENZHEN SHENGMI TECHNOLOGY LIMITED**,
Shenzhen, Guangdong (CN)

(72) Inventor: **Jinmiao Lian**, Guangdong (CN)

(73) Assignee: **SHENZHEN SHENGMI TECHNOLOGY LIMITED**, Shenzhen (CN)

(**) Term: **15 Years**

(21) Appl. No.: **29/609,710**

(22) Filed: **Jul. 4, 2017**

(51) **LOC (11) Cl.** **13-02**

(52) **U.S. Cl.**
USPC **D13/108; D13/103**

(58) **Field of Classification Search**
USPC D13/102–106, 110, 118, 119, 184, 199,
D13/107, 108; D14/250
CPC Y02E 60/12; Y02E 60/122; Y02E 60/124;
Y02E 60/50; H01M 2/02; H01M 2/022;
H01M 2/0202; H01M 2/0207; H01M
2/0212; H01M 2/1061; H01M 2/1022;
H01M 2/1055; H01M 2/1066; H01M
2/105; H01M 2/204; H01M 10/4257;
H01M 10/0436; H01M 10/48

See application file for complete search history.

(56) **References Cited**

U.S. PATENT DOCUMENTS

D653,202 S * 1/2012 Hasbrook D13/103
D667,783 S * 9/2012 Zhang D13/102
D670,279 S * 11/2012 Veltz D14/250
D671,493 S * 11/2012 Hasbrook D13/108

D709,058 S * 7/2014 Hemesath D14/250
D710,795 S * 8/2014 Gupta D13/103
D712,387 S * 9/2014 Tompkin D14/250
D718,756 S * 12/2014 Barfoot D14/250
D744,470 S * 12/2015 Stevinson D14/250
D756,911 S * 5/2016 Gupta D13/103
D759,585 S * 6/2016 Herbst D13/103
D812,600 S * 3/2018 Altaras D14/250
D816,653 S * 5/2018 Yu D14/250
D831,636 S * 10/2018 Zhu D14/250
D835,087 S * 12/2018 Wilder D14/250
D836,064 S * 12/2018 Liu D13/102
D836,623 S * 12/2018 Hyun D14/250

* cited by examiner

Primary Examiner — Rosemary K Tarcza

Assistant Examiner — Christy M Nemeth

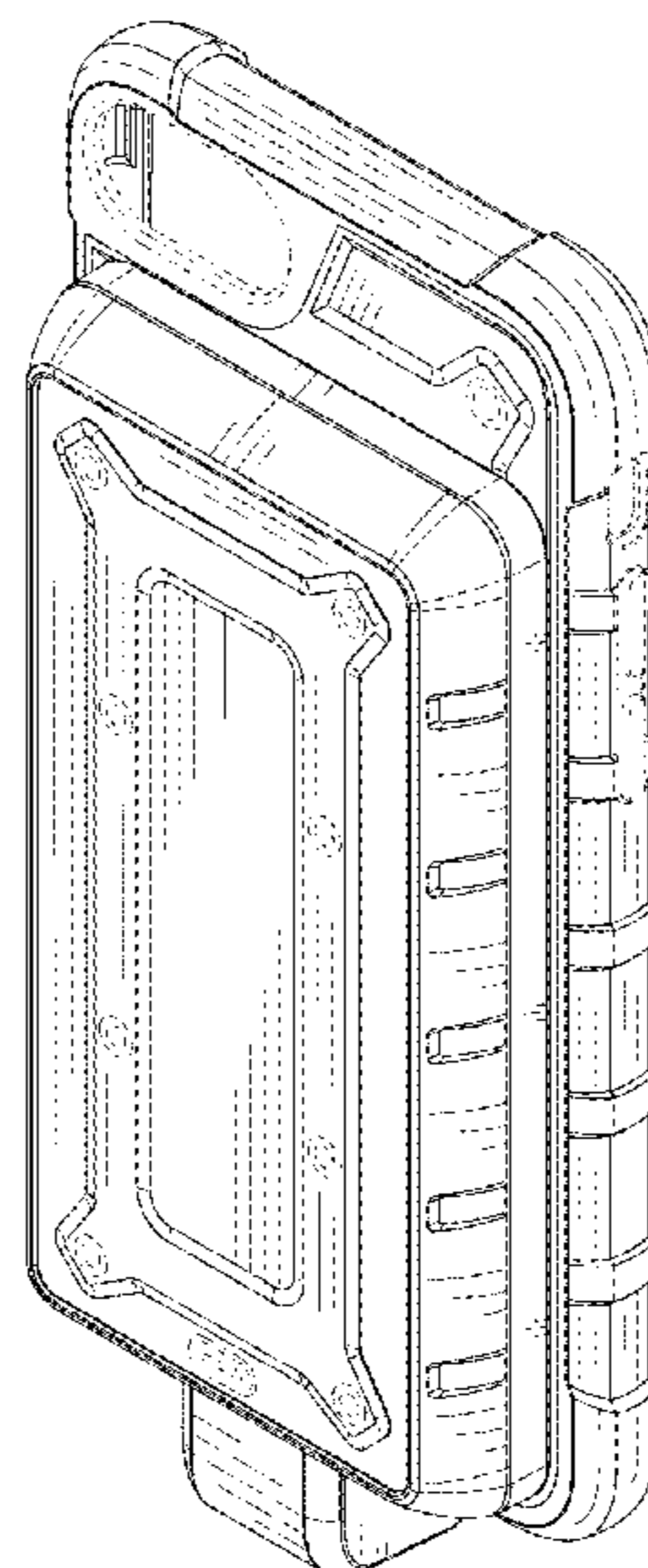
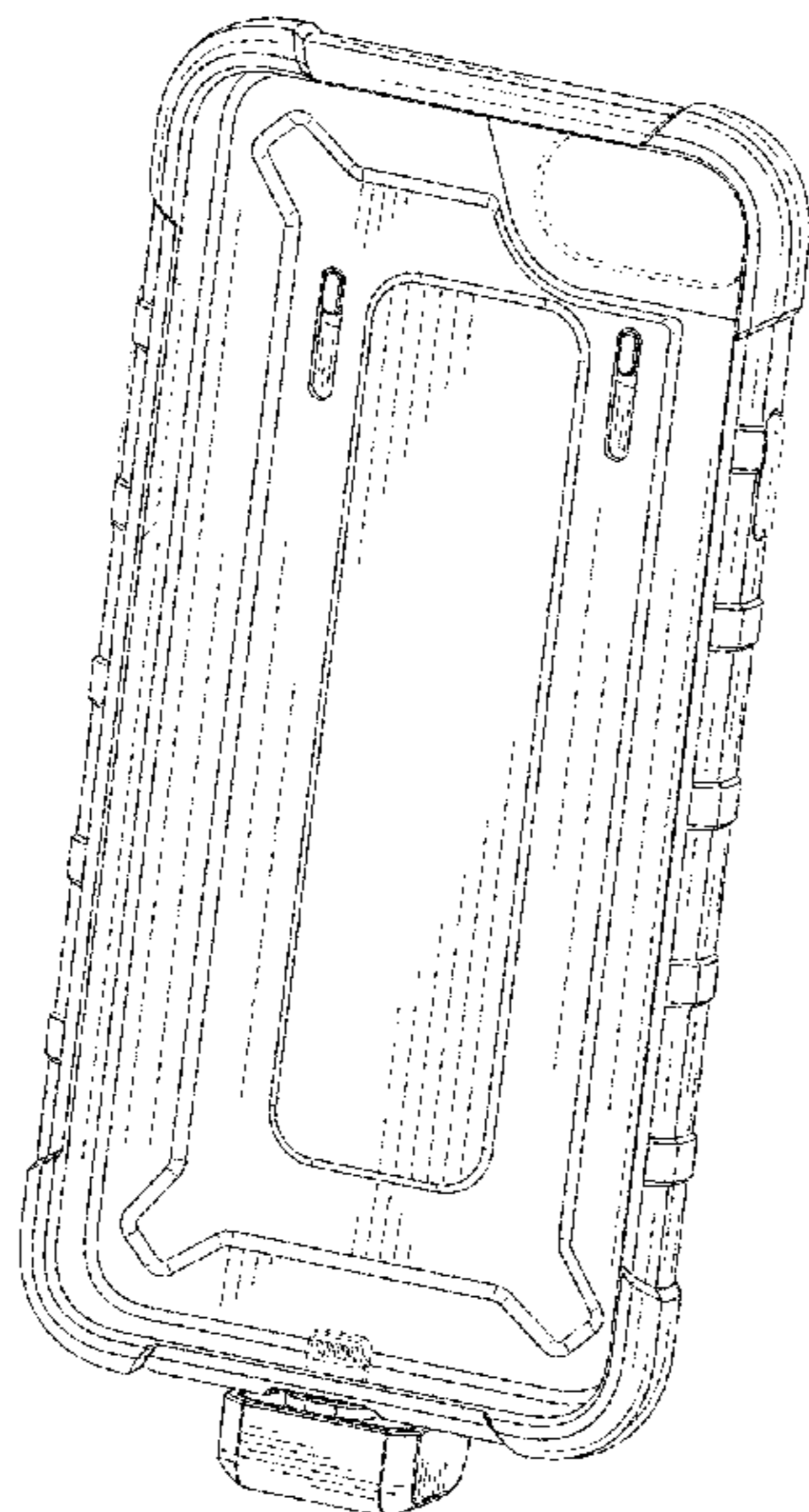
(57) **CLAIM**

The ornamental design for a power bank, as shown and described.

DESCRIPTION

FIG. 1 is a front elevational view of a power bank showing my new design;
FIG. 2 is a rear elevational view thereof;
FIG. 3 is a left side view thereof;
FIG. 4 is a right side view thereof;
FIG. 5 is a top plan view thereof;
FIG. 6 is a bottom plan view thereof;
FIG. 7 is a front perspective view thereof;
FIG. 8 is a rear-left side perspective view thereof;
FIG. 9 is a front-bottom-left side perspective view thereof;
and,
FIG. 10 is a rear-top-left side perspective view thereof.
The broken lines in the drawings illustrate portions of the power bank which form no part of the claimed design.

1 Claim, 10 Drawing Sheets



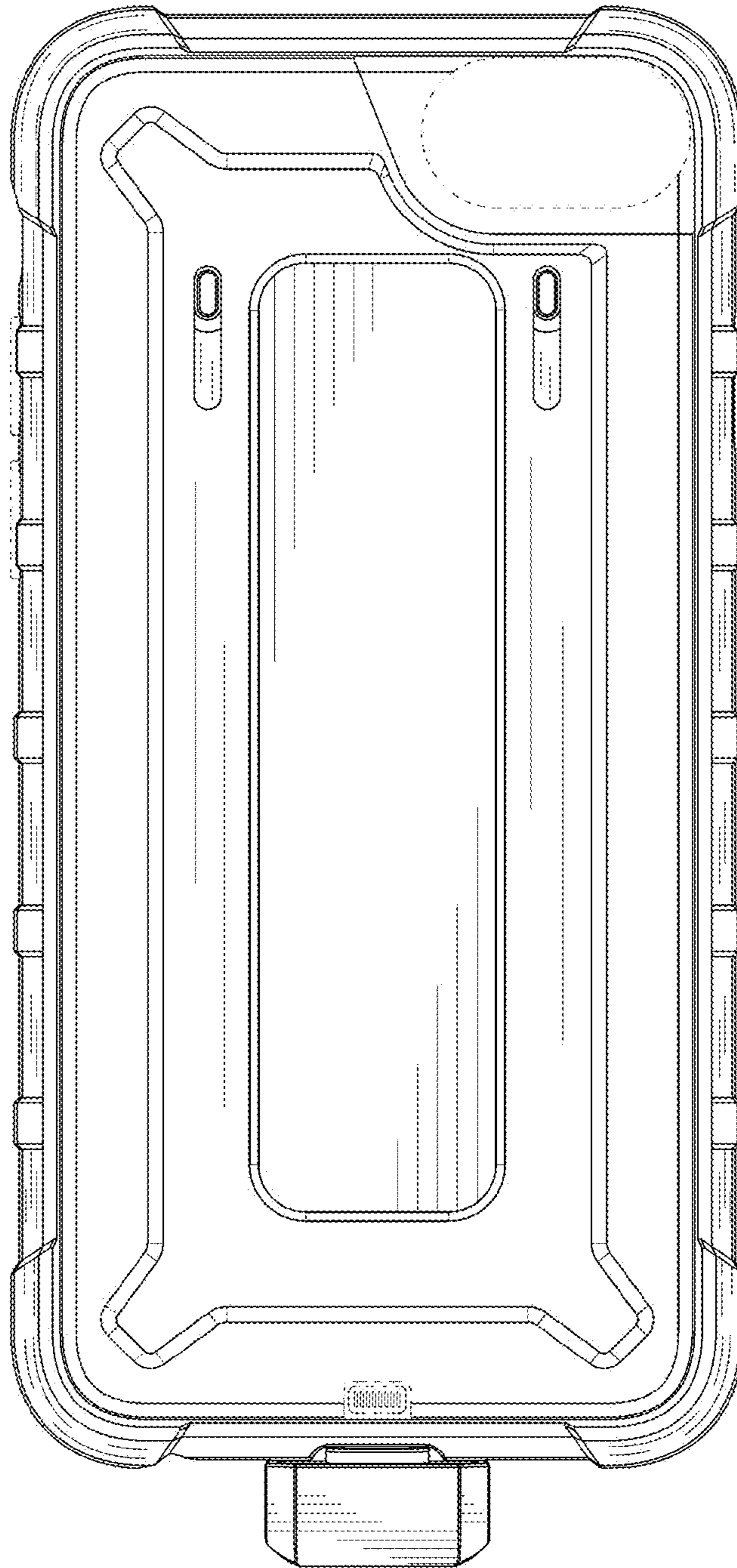


Fig. 1

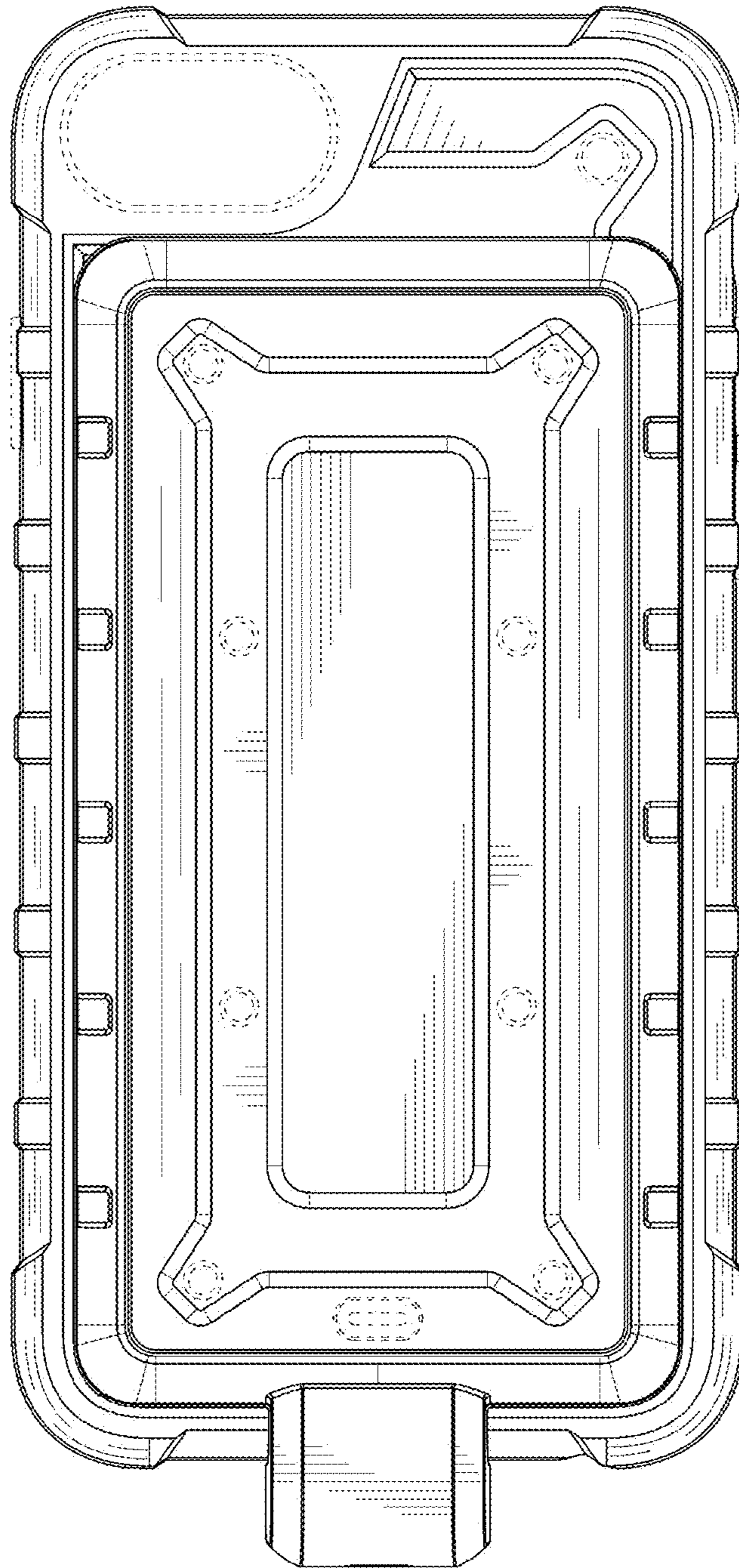


Fig. 2

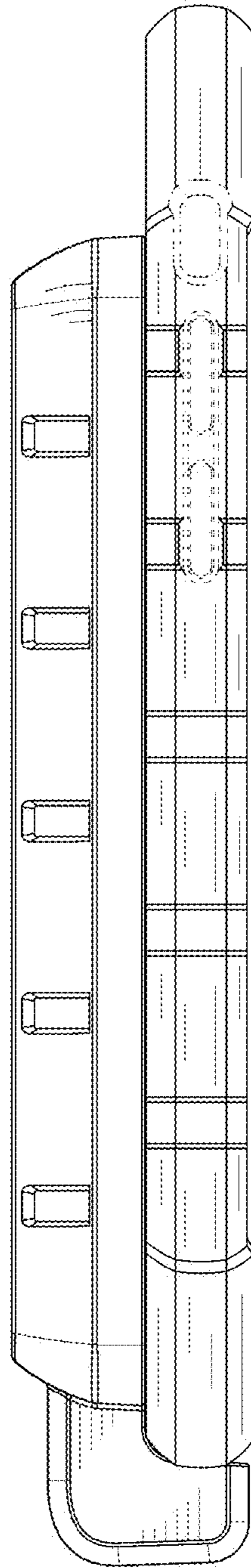


Fig. 3

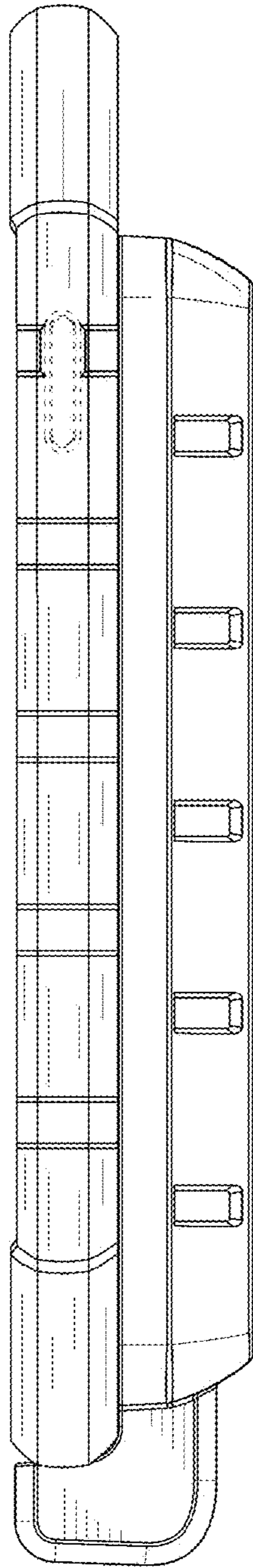


Fig. 4

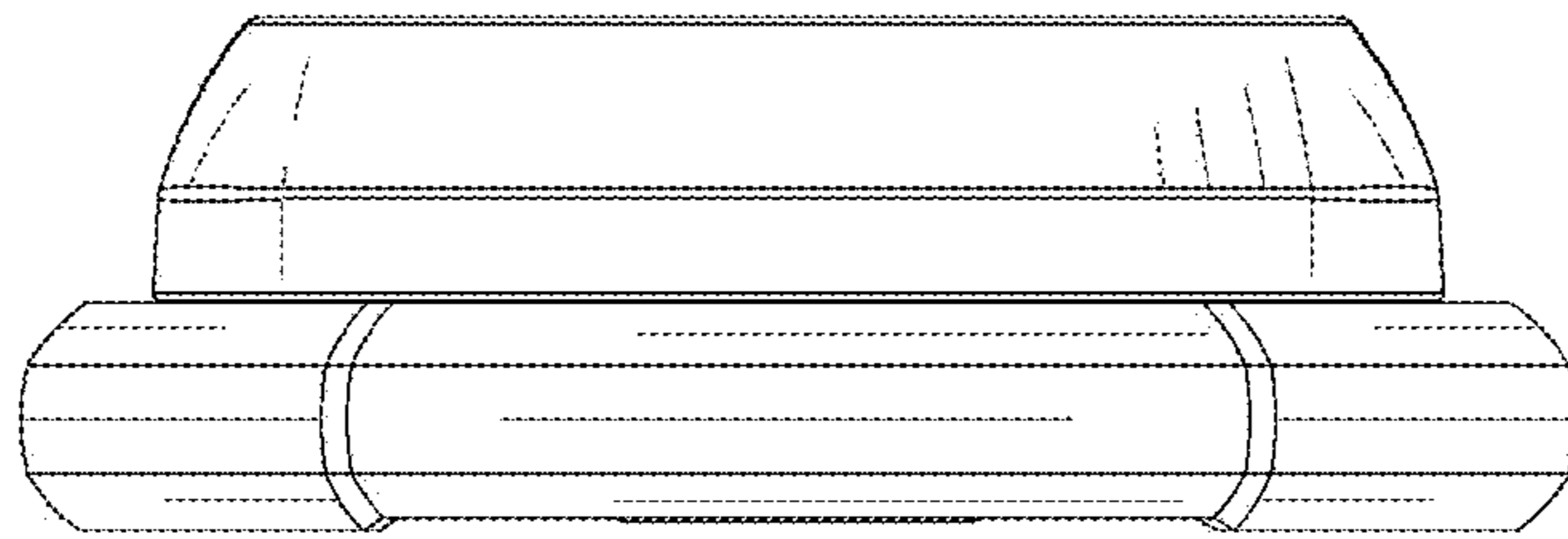


Fig. 5

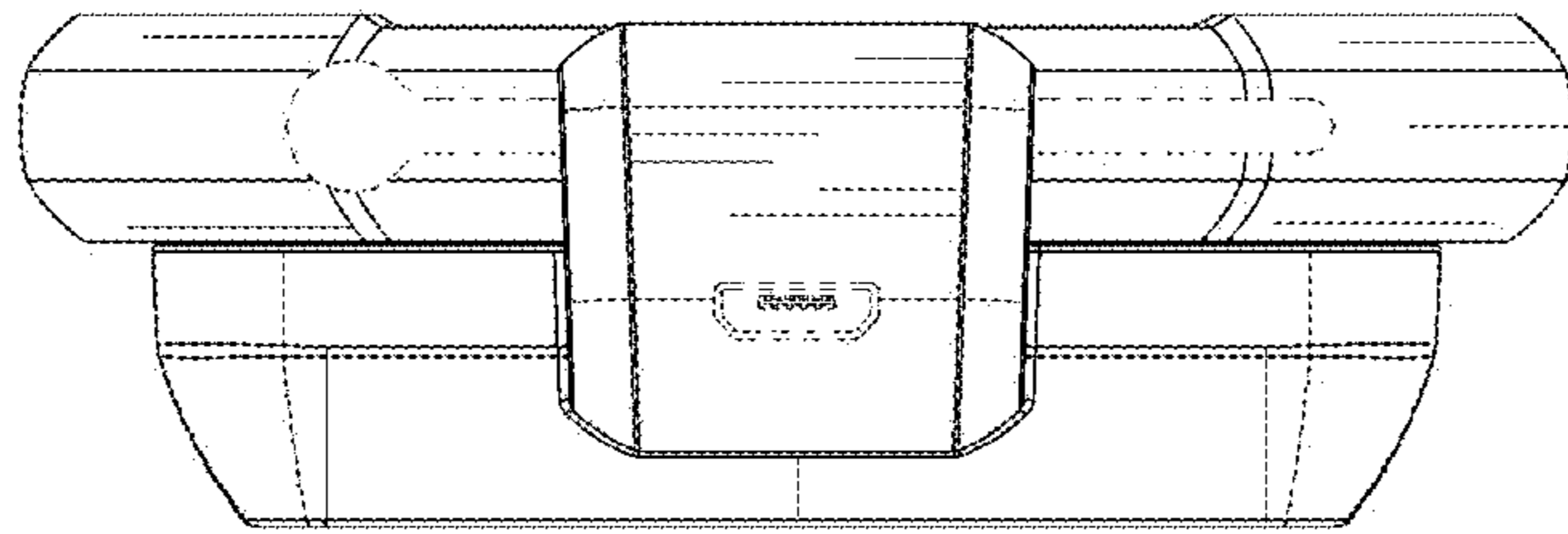


Fig. 6

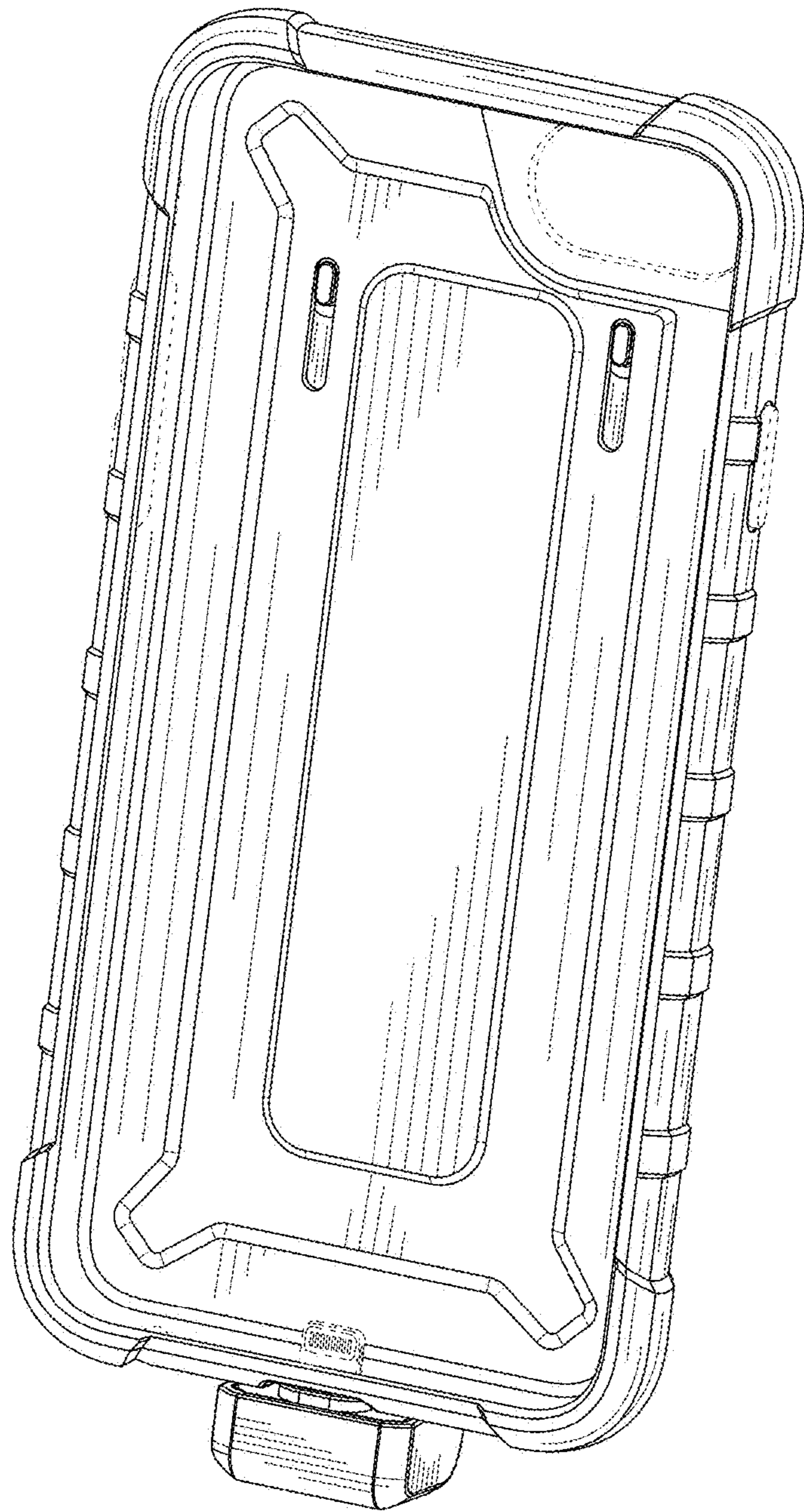


Fig. 7

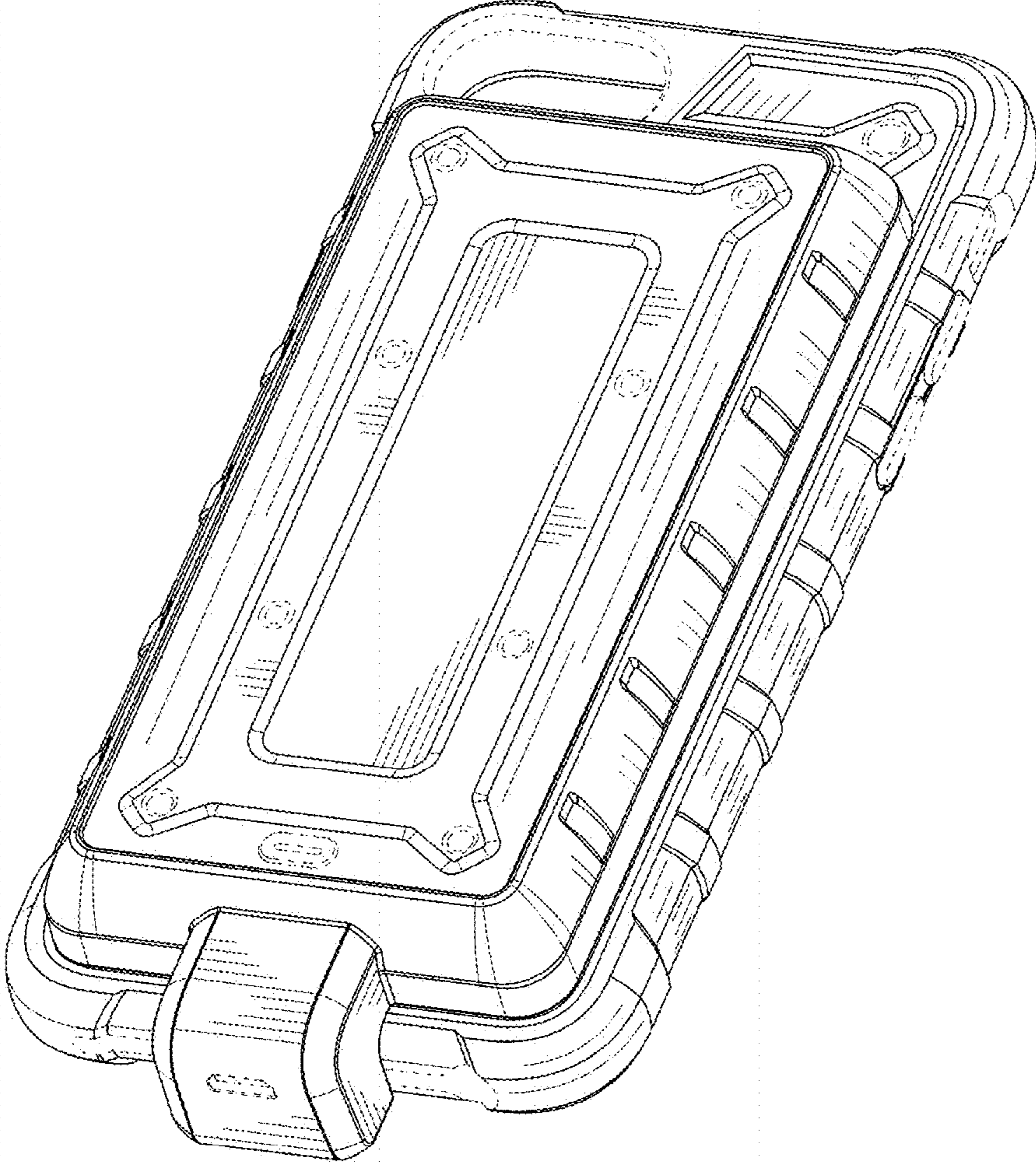


Fig. 8

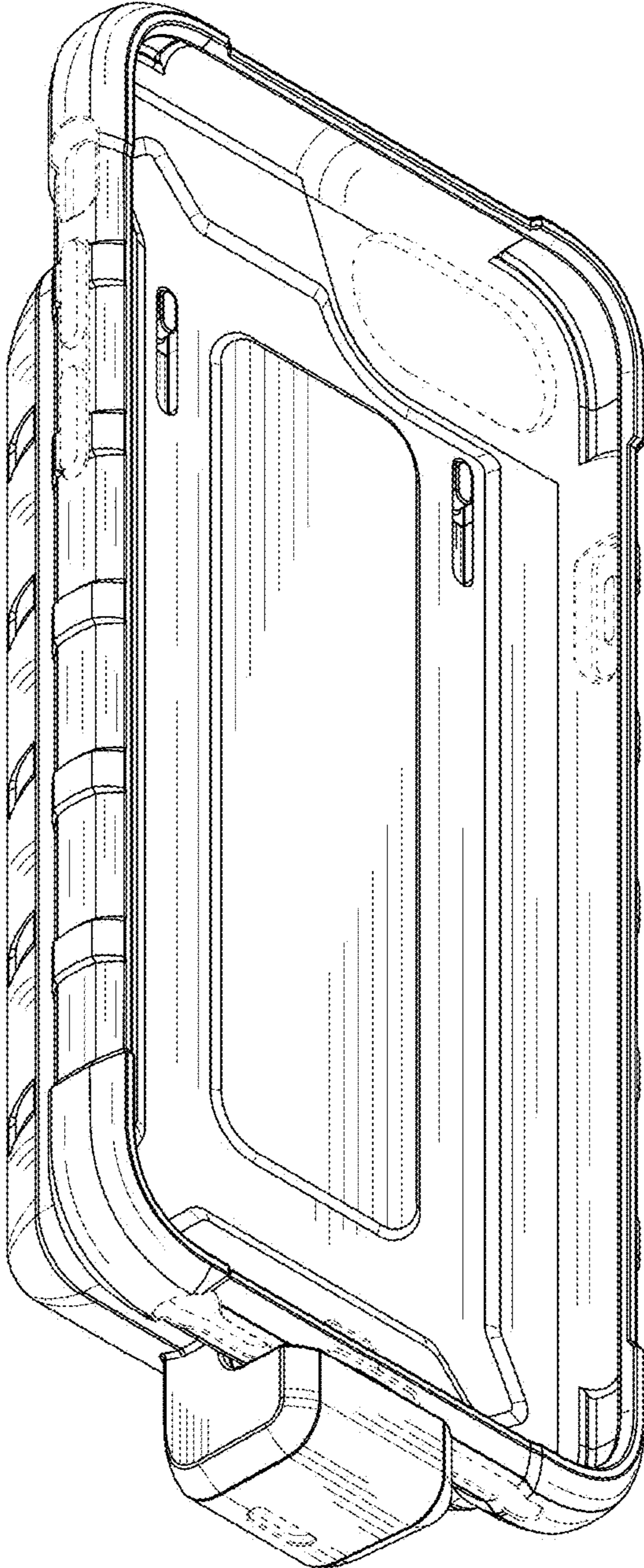


Fig. 9

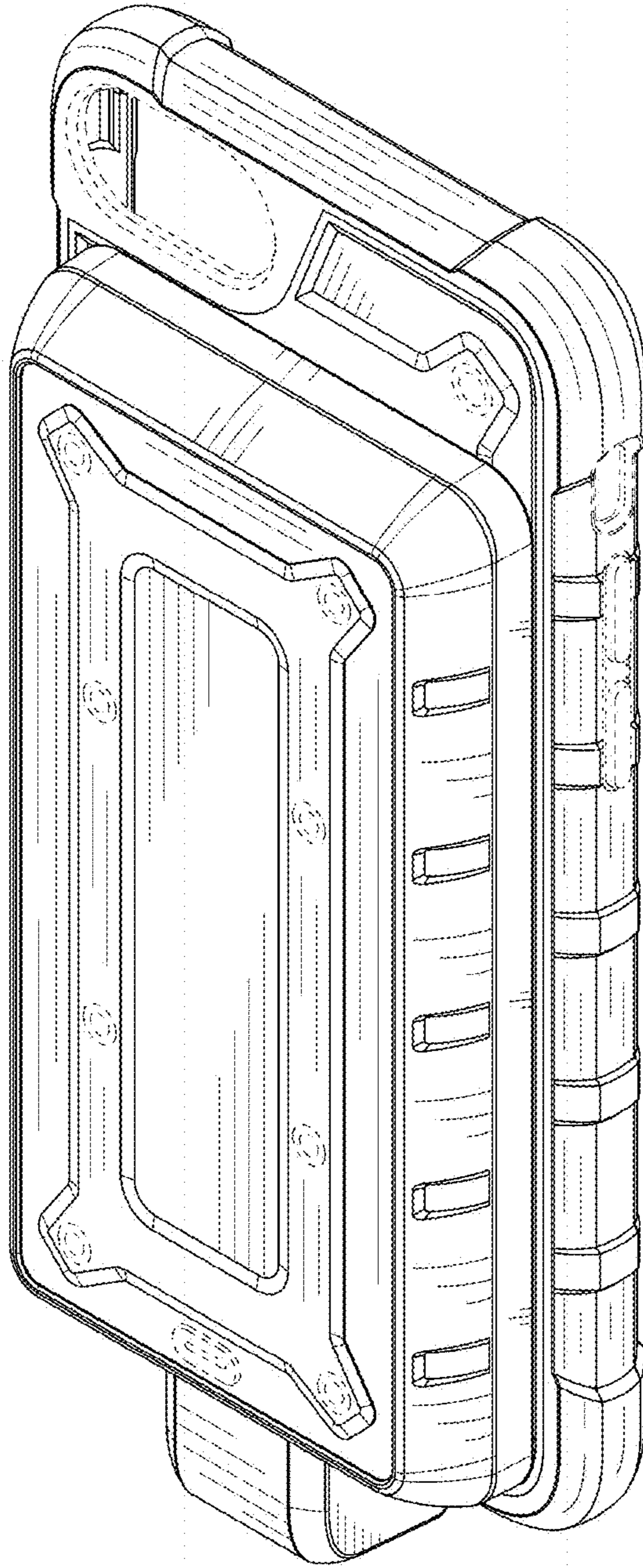


Fig. 10