



US00D848363S

(12) **United States Design Patent**
Bai et al.

(10) **Patent No.:** **US D848,363 S**

(45) **Date of Patent:** **** May 14, 2019**

(54) **PORTABLE SOLAR PHOTOVOLTAIC BATTERY**

(71) Applicant: **Jackery Inc.**, Milpitas, CA (US)

(72) Inventors: **Wei Bai**, Milpitas, CA (US); **Zhongwei Sun**, Milpitas, CA (US)

(73) Assignee: **Jackery Inc.**, Milpitas, CA (US)

(**) Term: **15 Years**

(21) Appl. No.: **29/633,171**

(22) Filed: **Jan. 12, 2018**

(30) **Foreign Application Priority Data**

Nov. 24, 2017 (CN) 2017 3 586327

(51) **LOC (11) Cl.** **13-02**

(52) **U.S. Cl.**
USPC **D13/102**

(58) **Field of Classification Search**
USPC D13/101, 102, 103, 104, 105, 106, 184, D13/199

CPC H01L 31/00; H01L 31/02; H01L 31/042; H01L 31/045; H01L 31/046; H01L 31/048; H01L 31/05; H01L 31/052; H01L 31/0525; H02S 30/00; H02S 20/10; H02S 20/23; H02S 20/30; H02S 40/34; H02S 40/44; F24J 2/52; F03G 6/00

See application file for complete search history.

(56) **References Cited**

U.S. PATENT DOCUMENTS

D510,316 S * 10/2005 Hayakawa D13/102
D620,431 S * 7/2010 Sasada D13/102
D647,047 S * 10/2011 Kamil D13/102
D674,801 S * 1/2013 Wharram D13/102

D684,112 S * 6/2013 Fallon D13/102
D686,980 S * 7/2013 Fallon D13/102
D704,626 S * 5/2014 Li D13/103
D724,526 S * 3/2015 Lee D13/103
D724,527 S * 3/2015 Lee D13/103
D729,156 S * 5/2015 Nook D13/102
D754,598 S * 4/2016 Munshi D13/102
D776,050 S * 1/2017 Awad D13/102
D813,802 S * 3/2018 Krantz D13/102
D817,265 S * 5/2018 Liu D13/102
D825,451 S * 8/2018 Liu D13/102
D827,564 S * 9/2018 Zhang D13/102
D830,296 S * 10/2018 Liu D13/102

* cited by examiner

Primary Examiner — Daniel D Bui

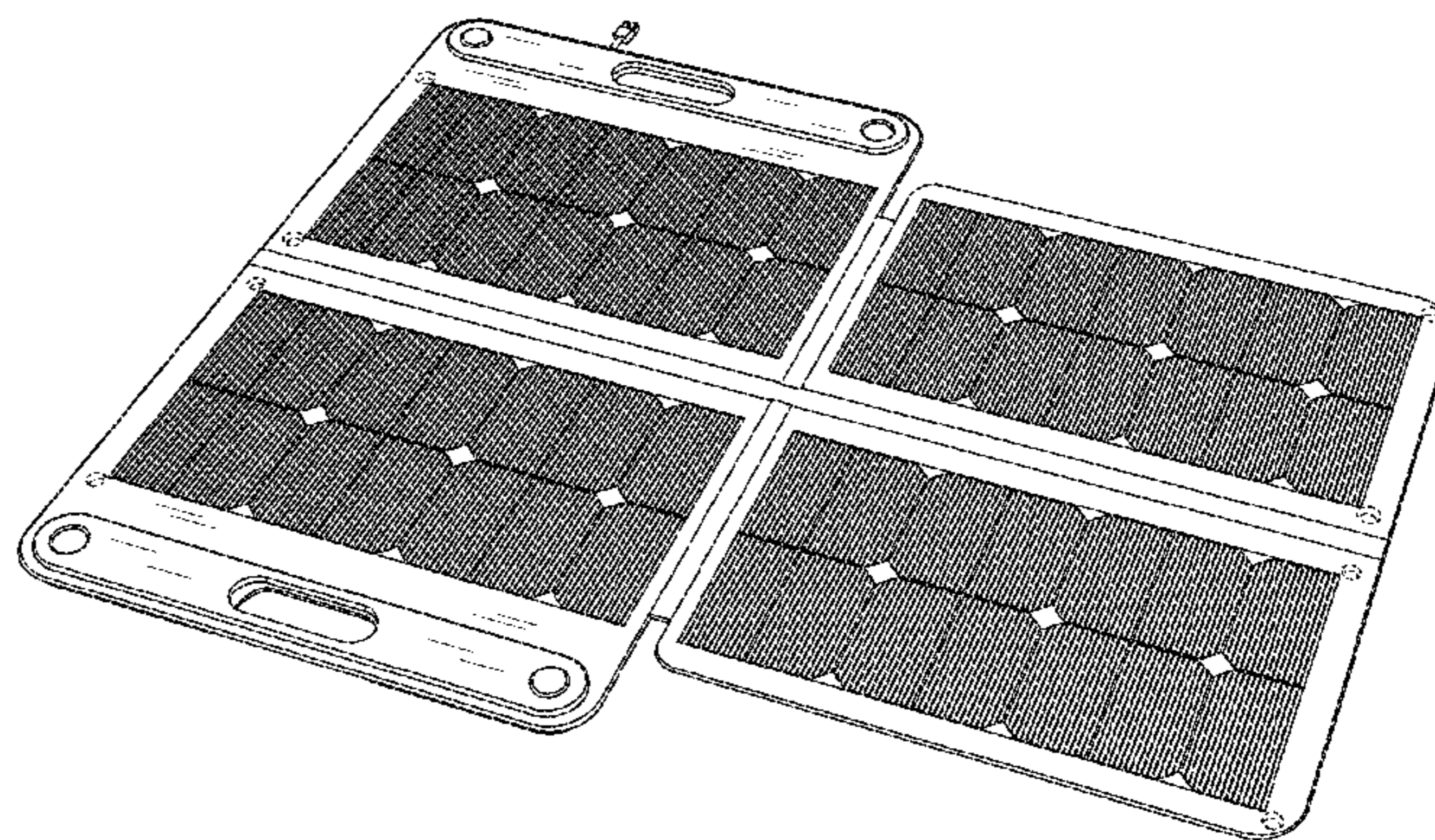
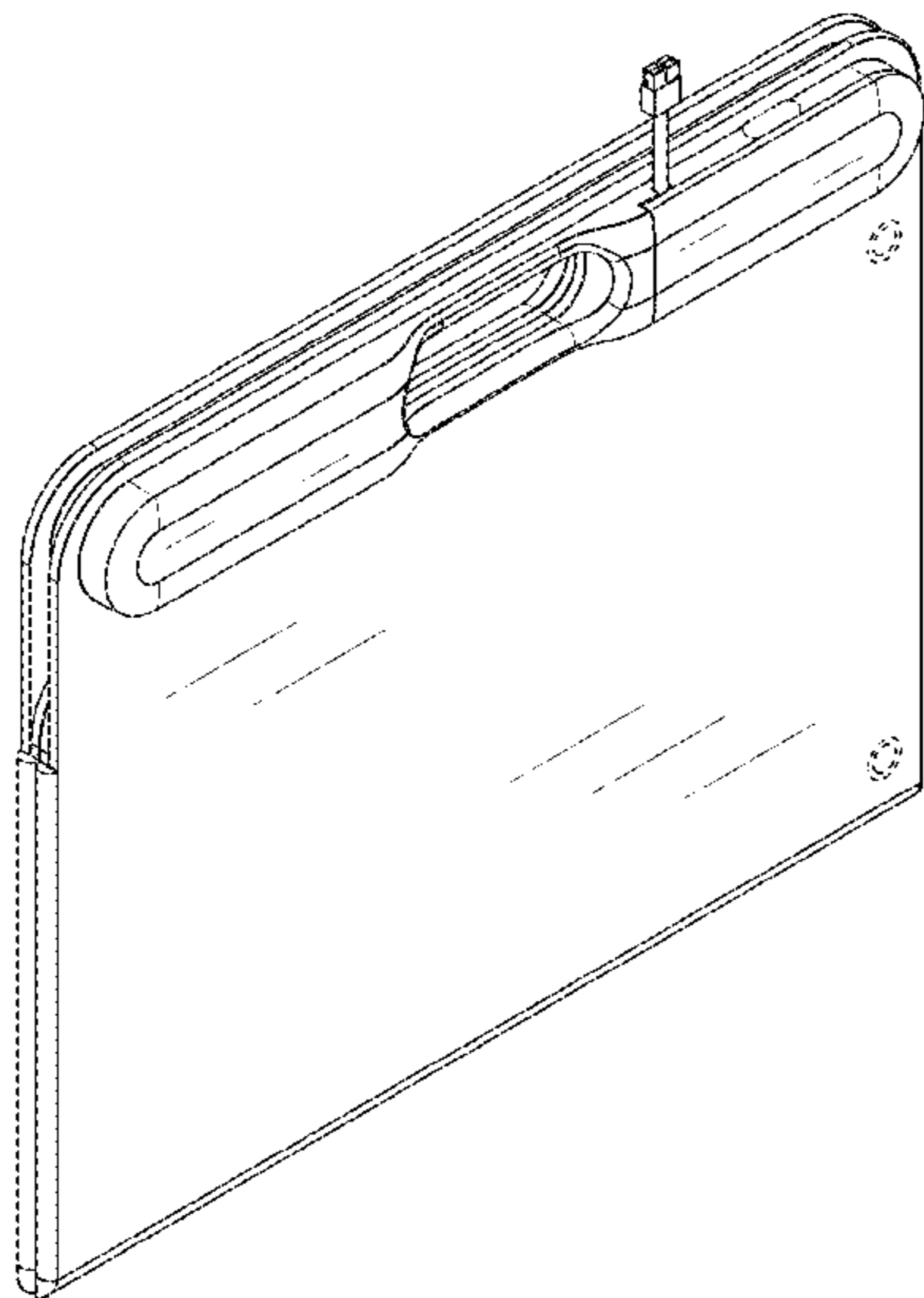
(57) **CLAIM**

The ornamental design for a portable solar photovoltaic battery, as shown and described.

DESCRIPTION

FIG. 1 is a front elevational view of a portable solar photovoltaic battery showing our new design; FIG. 2 is a rear elevational view thereof; FIG. 3 is a left side view thereof; FIG. 4 is a right side view thereof; FIG. 5 is a top plan view thereof; FIG. 6 is a bottom plan view thereof; FIG. 7 is a first perspective view thereof; FIG. 8 is a second perspective view thereof; FIG. 9 is a third perspective view showing the portable solar photovoltaic battery in an open state; and, FIG. 10 is a fourth perspective view showing the portable solar photovoltaic battery in an open state. The broken lines in the drawings illustrate portions of the portable solar photovoltaic battery which form no part of the claimed design.

1 Claim, 8 Drawing Sheets



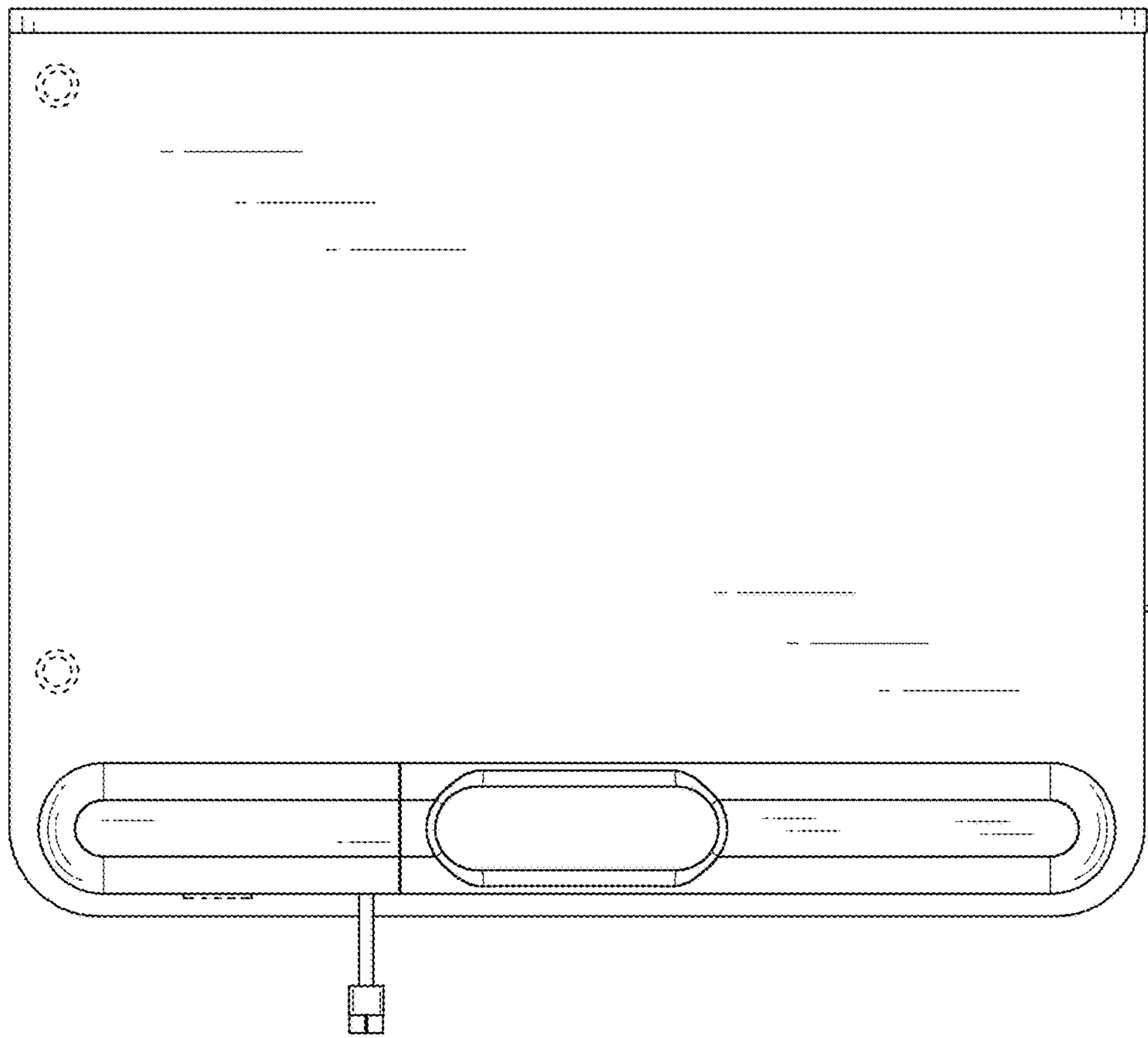


FIG. 1

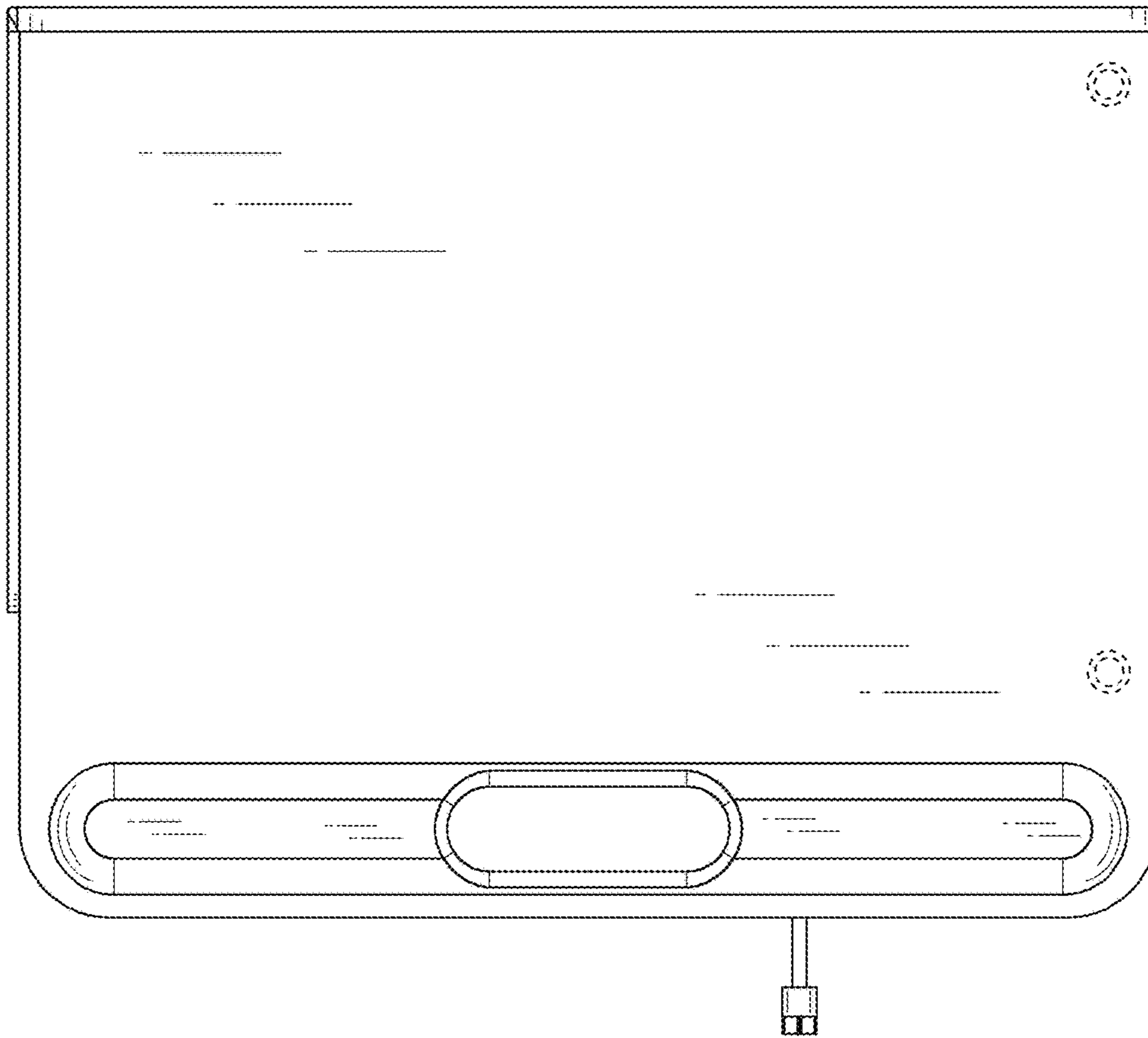


FIG.2

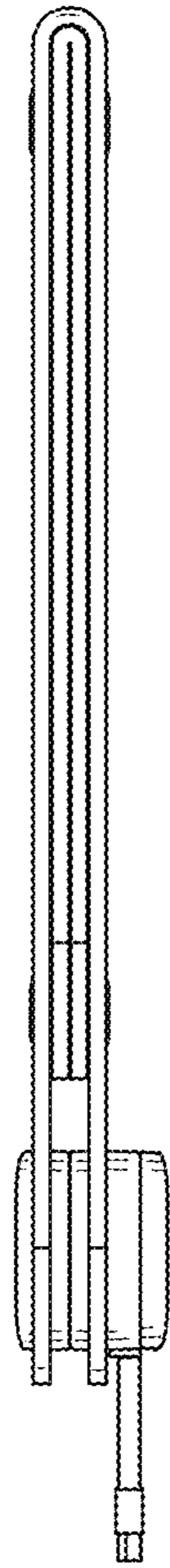


FIG.3

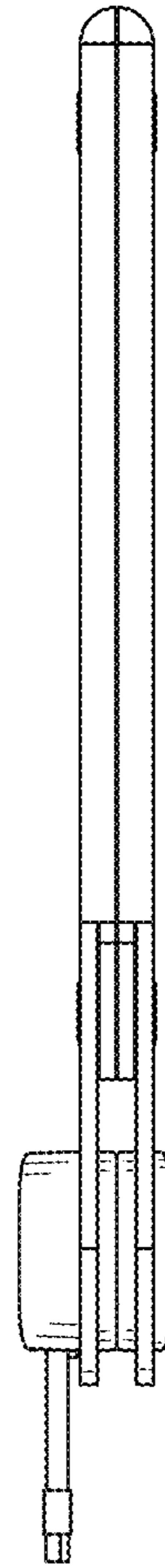


FIG.4

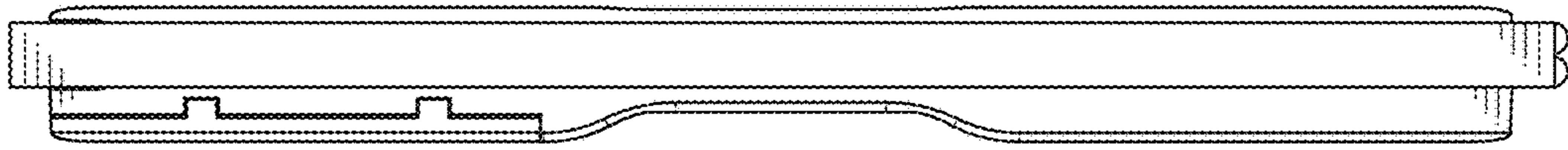


FIG. 5

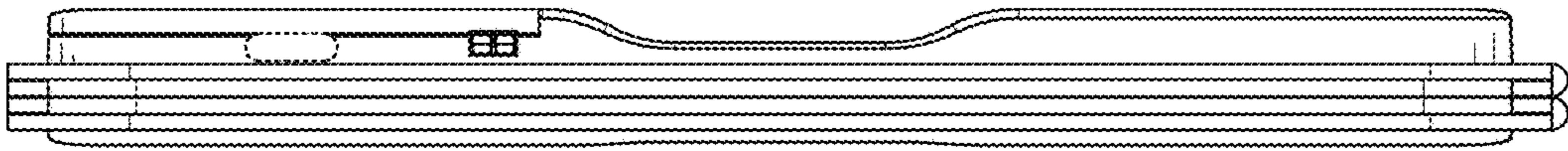


FIG. 6

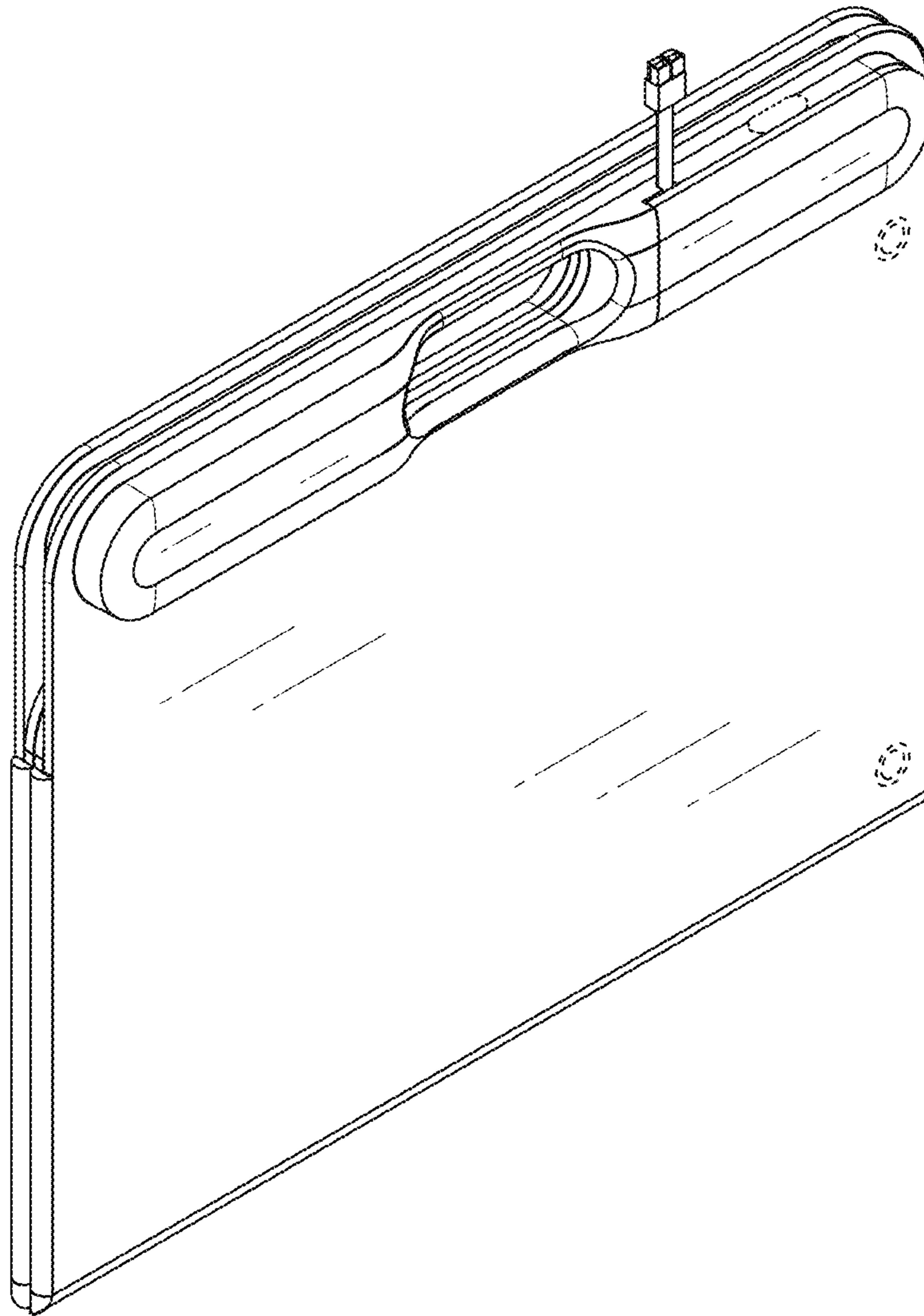


FIG.7

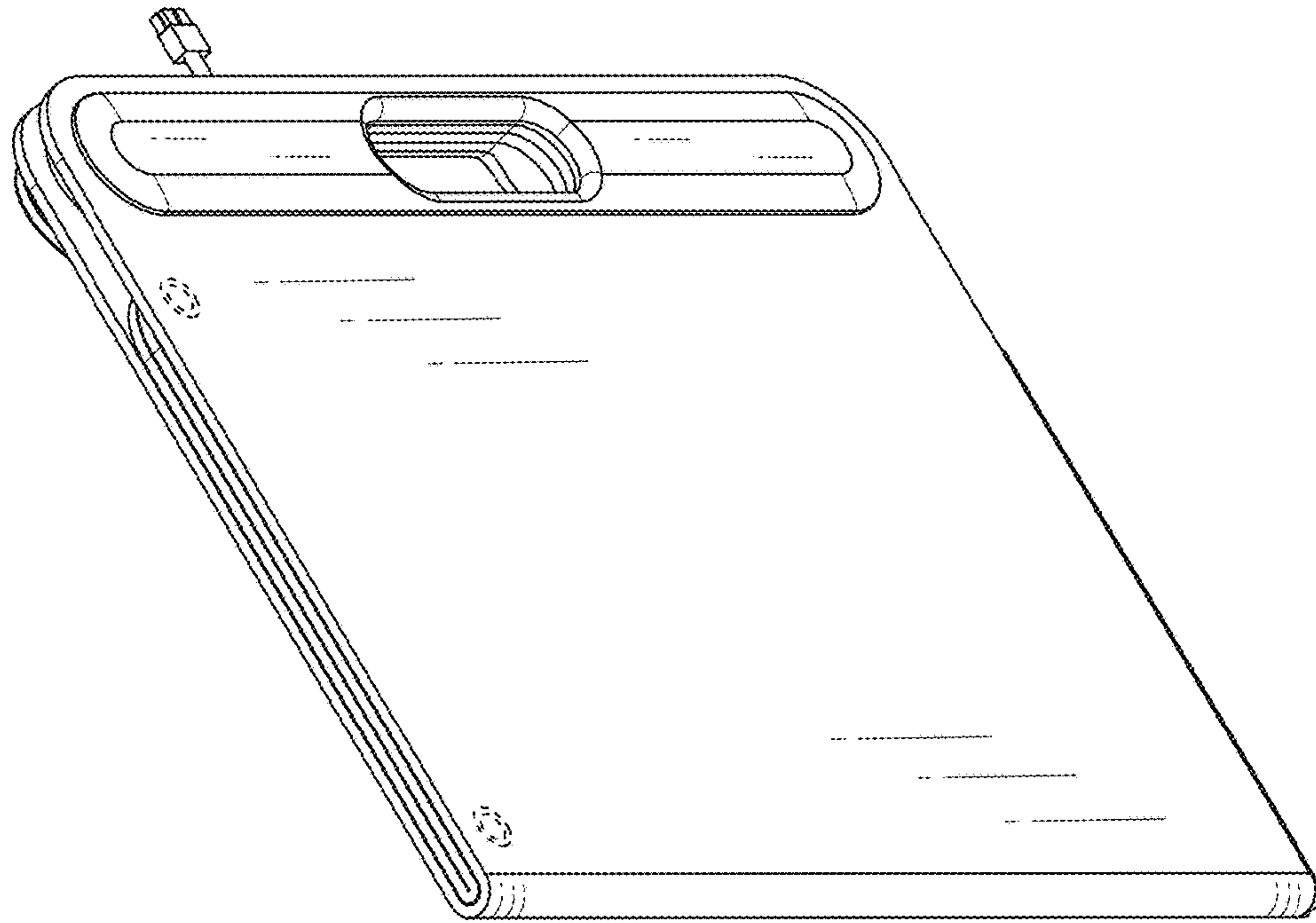


FIG.8

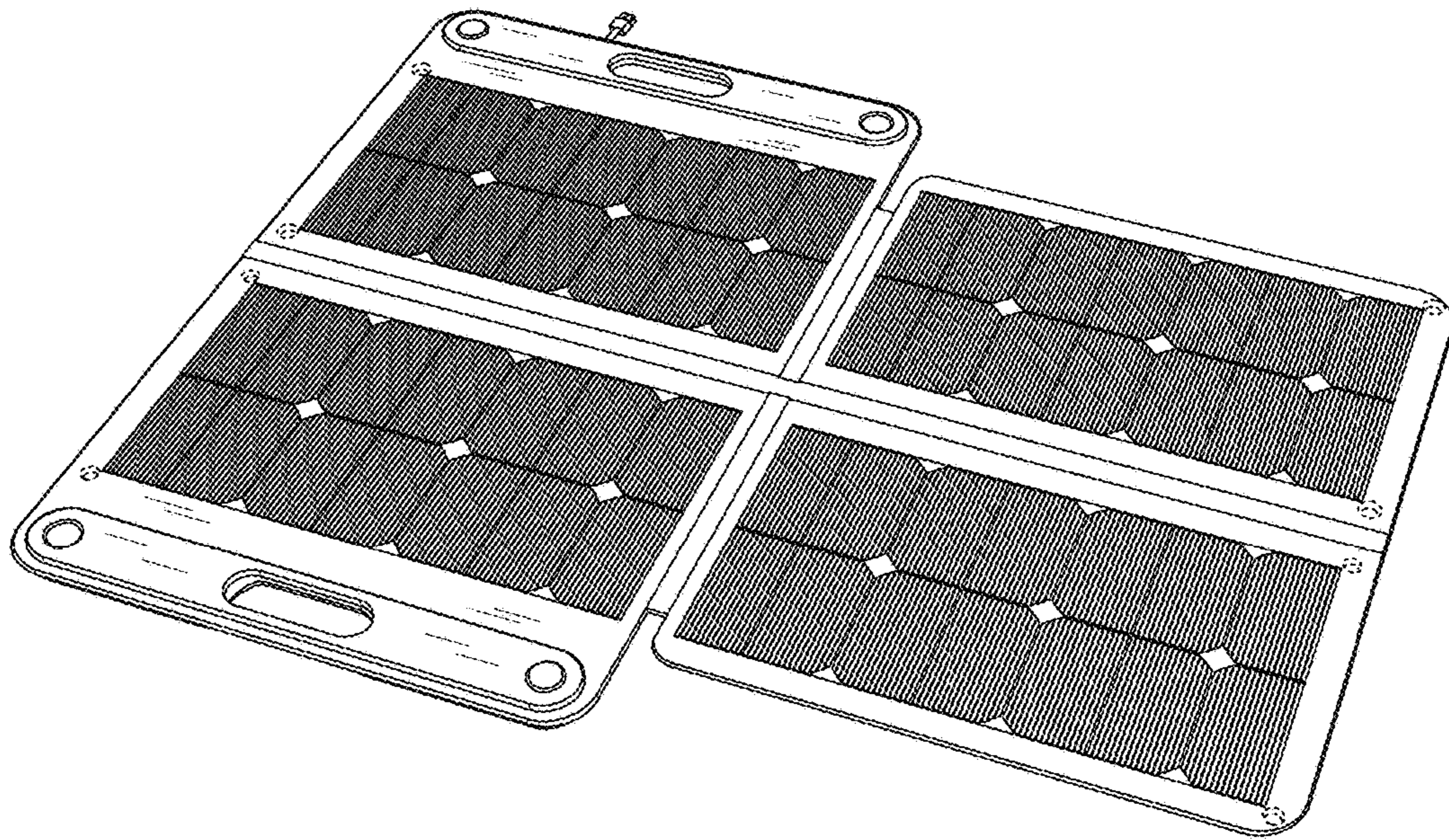


FIG.9

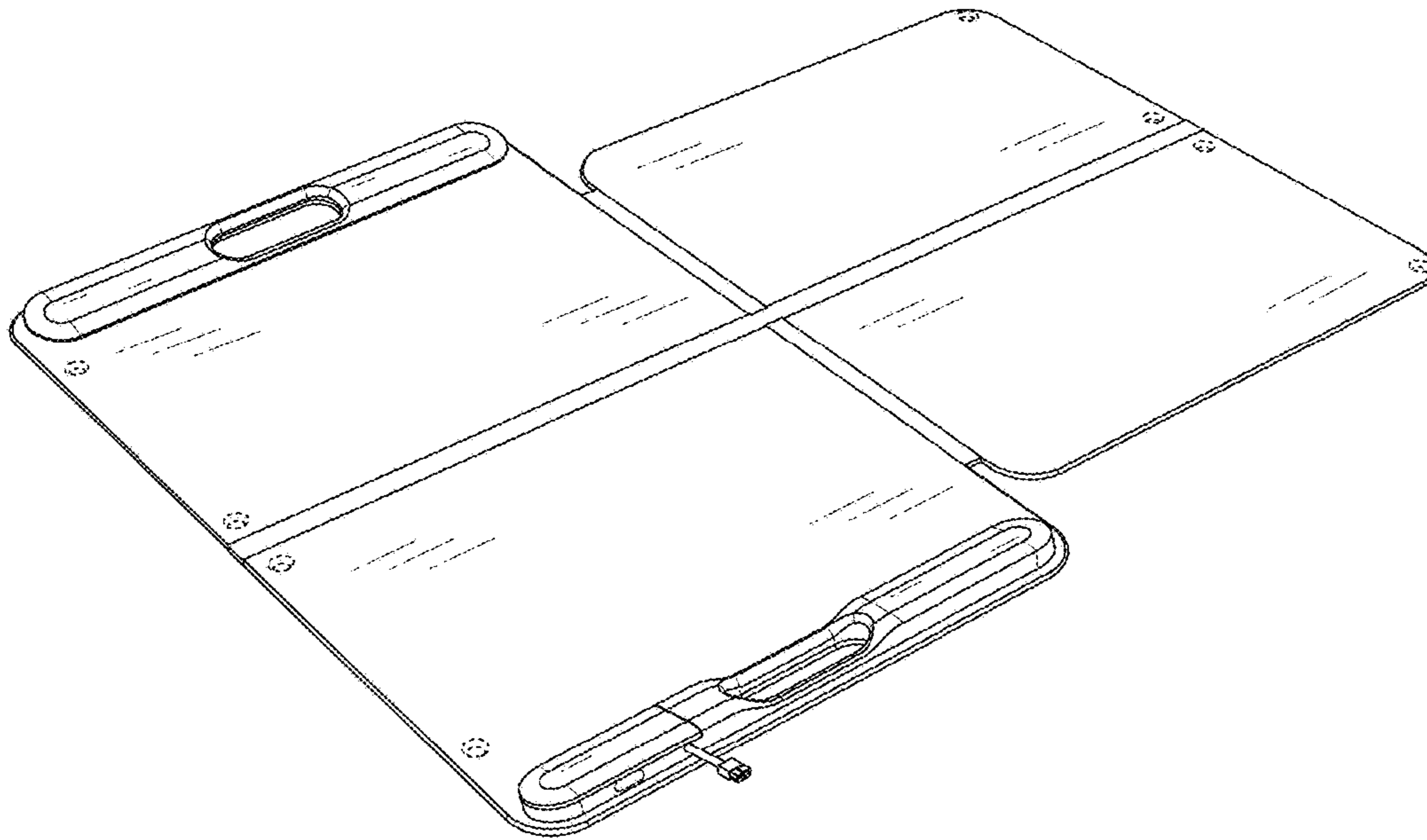


FIG.10

UNITED STATES PATENT AND TRADEMARK OFFICE
CERTIFICATE OF CORRECTION

PATENT NO. : D848,363 S
APPLICATION NO. : 29/633171
DATED : May 14, 2019
INVENTOR(S) : Wei Bai and Zhongwei Sun

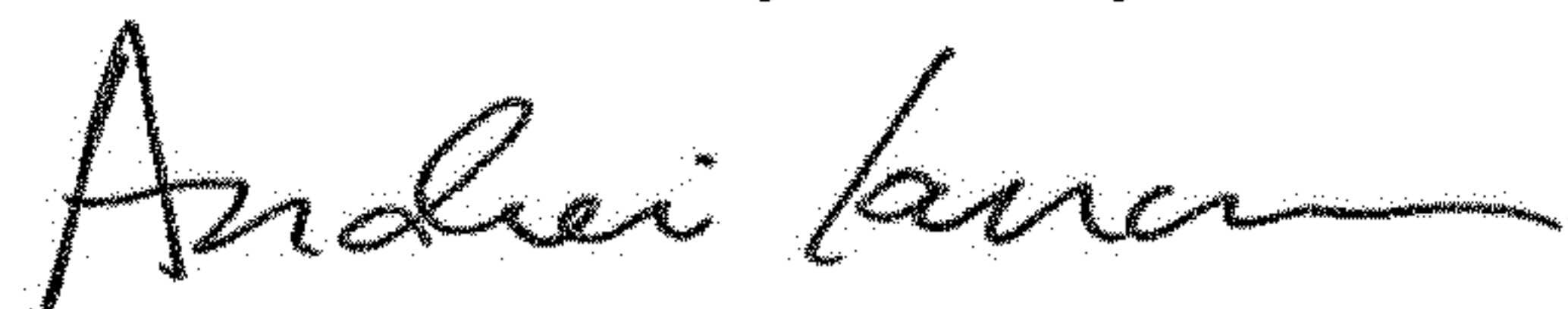
Page 1 of 1

It is certified that error appears in the above-identified patent and that said Letters Patent is hereby corrected as shown below:

On the Title Page

Item (30), the correct priority number should be “201730586327.6” instead of “20173586327.6”.

Signed and Sealed this
Sixteenth Day of July, 2019



Andrei Iancu
Director of the United States Patent and Trademark Office