



US00D848362S

(12) **United States Design Patent**  
**Conley et al.**

(10) **Patent No.:** **US D848,362 S**

(45) **Date of Patent:** **\*\* May 14, 2019**

(54) **PHOTOVOLTAIC DEVICE**

(71) Applicant: **First Solar, Inc.**, Perrysburg, OH (US)

(72) Inventors: **Joshua Conley**, Perrysburg, OH (US);  
**Benjamin De Fresart**, Perrysburg, OH (US);  
**Peter Hruby**, Perrysburg, OH (US);  
**Matthew Kuzila**, Perrysburg, OH (US);  
**Weixin Li**, Perrysburg, OH (US);  
**Joseph Lindgren**, Perrysburg, OH (US);  
**Daniel Smith**, Perrysburg, OH (US);  
**Thomas Truman**, Perrysburg, OH (US);  
**Charles Wickersham**, Perrysburg, OH (US)

(73) Assignee: **First Solar, Inc.**, Tempe, AZ (US)

(\*\*) Term: **15 Years**

(21) Appl. No.: **29/628,278**

(22) Filed: **Dec. 4, 2017**

(51) **LOC (11) Cl.** ..... **13-02**

(52) **U.S. Cl.**  
USPC ..... **D13/102**

(58) **Field of Classification Search**  
USPC ..... D13/101, 102, 118, 184, 199  
CPC ..... H02J 7/0042; H02J 7/0045; H02J 7/0052;  
H01R 31/06; H01R 24/38; H01L 31/042;  
H01L 31/045; H01L 31/046; H01L 31/048;  
H01L 31/05; H01L 31/052; H01L 31/0525;  
H02S 30/00; H02S 20/10; H02S 20/23;  
H02S 20/30; H02S 40/34; H02S 40/44;  
F24J 2/52; F03G 6/00

See application file for complete search history.

(56) **References Cited**

**U.S. PATENT DOCUMENTS**

D389,454 S \* 1/1998 Mori ..... D13/102  
D524,727 S \* 7/2006 Yamashita ..... D13/102  
D644,986 S \* 9/2011 Ross ..... D13/102  
D662,042 S \* 6/2012 Yeh ..... D13/102

D696,187 S \* 12/2013 Endoh ..... D13/102  
D739,345 S \* 9/2015 Buller ..... D13/102  
D781,230 S \* 3/2017 Gibson ..... D13/102  
D788,027 S \* 5/2017 Gibson ..... D13/102

(Continued)

**FOREIGN PATENT DOCUMENTS**

JP D1396907 8/2010

**OTHER PUBLICATIONS**

Bredder et al., "The Shape of Things to Come", Web Article, LinkedIn, Aug. 2017, pp. 1-4, <https://www.linkedin.com/pulse/shape-things-come-roger-bredder/>.

(Continued)

*Primary Examiner* — Daniel D Bui

(74) *Attorney, Agent, or Firm* — MacMillan, Sobanski & Todd, LLC

(57) **CLAIM**

We claim the ornamental design for a photovoltaic device, substantially as shown and described.

**DESCRIPTION**

FIG. 1 is a top perspective view of a photovoltaic device in accordance with the present design.

FIG. 2 is a left side elevational view of the photovoltaic device of FIG. 1.

FIG. 3 is a right side elevational view thereof.

FIG. 4 is a front edge elevational view thereof.

FIG. 5 is a back edge elevational view thereof.

FIG. 6 is a top plan view thereof.

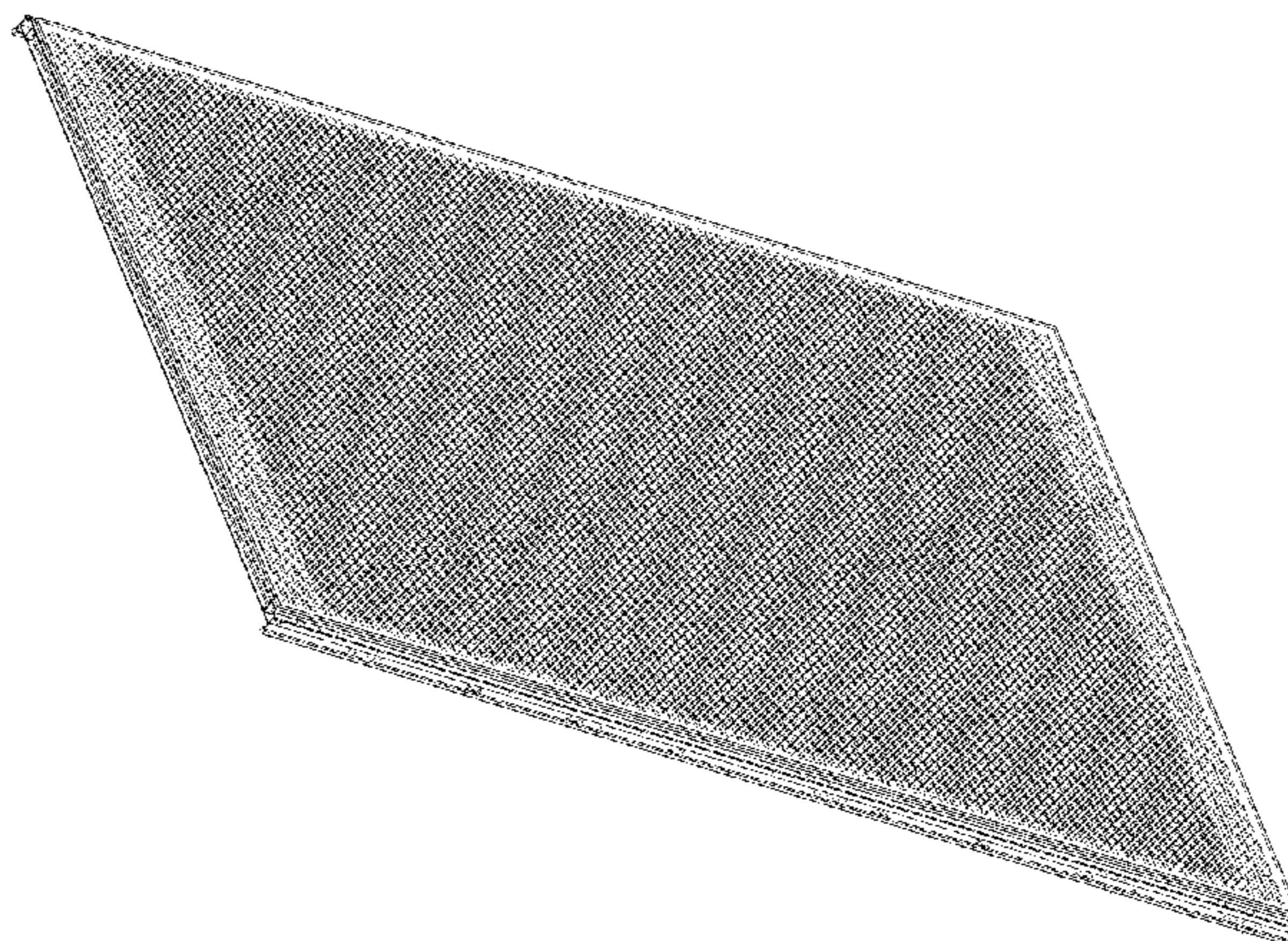
FIG. 7 is a bottom plan view thereof.

FIG. 8 is an enlarged view of area "8" of FIG. 6; and,

FIG. 9 is an enlarged view of area "9" of FIG. 6.

Any broken lines in the figures represent portions of a photovoltaic device which form no part of the claimed design.

**1 Claim, 5 Drawing Sheets**



(56)

**References Cited**

U.S. PATENT DOCUMENTS

D812,554 S \* 3/2018 Gibson ..... D13/102  
D813,153 S \* 3/2018 Gibson ..... D13/102

OTHER PUBLICATIONS

“First Solar Series 6: Next Generation Thin Film Solar Technology”, Datasheet, First Solar, Sep. 2017, pp. 1-2, <http://www.firstsolar.com/-/media/First-Solar/Technical-Documents/Series-6-Datasheets/Series-6-Datasheet.ashx?la=en>.

“Series 6: Gaining Ground—the Rise of Thin Film PV”, Webinar presentation, First Solar, Sep. 2017, pp. 1-29, <http://www.firstsolar.com/en/About-Us/Press-Center/2017/09/The-Shape-of-Things>.

“First Solar Series 6: Thin Film Modules Next Generation Solar Technology”, Brochure, First Solar, Sep. 2017, pp. 1-4, <http://www.firstsolar.com/-/media/First-Solar/Technical-Documents/Series-6-Datasheets/Series-6-Brochure.ashx?la=en>.

“Experience the new Series 6 module and discover why it’s the next generation of Solar PV technology”, First Solar, Web video published on LinkedIn, video length 2 min. 35 sec., Sep. 2017, available at <https://www.linkedin.com/feed/update/urn:li:activity:6343846726914449409>.

Strevel, “The Optimal PV Module Size”, Series 6 Poster, Solar Power International conference, U.S., Sep. 2017, <http://www.firstsolar.com/-/media/First-Solar/Technical-Documents/Series-6-Datasheets/Series-6-Optimal-Module-Size-Factsheet.ashx>.

Japanese Office Action, dated Dec. 17, 2018, Japanese Design Application No. 2018-012225, Photovoltaic Device, filed Jun. 4, 2018.

\* cited by examiner

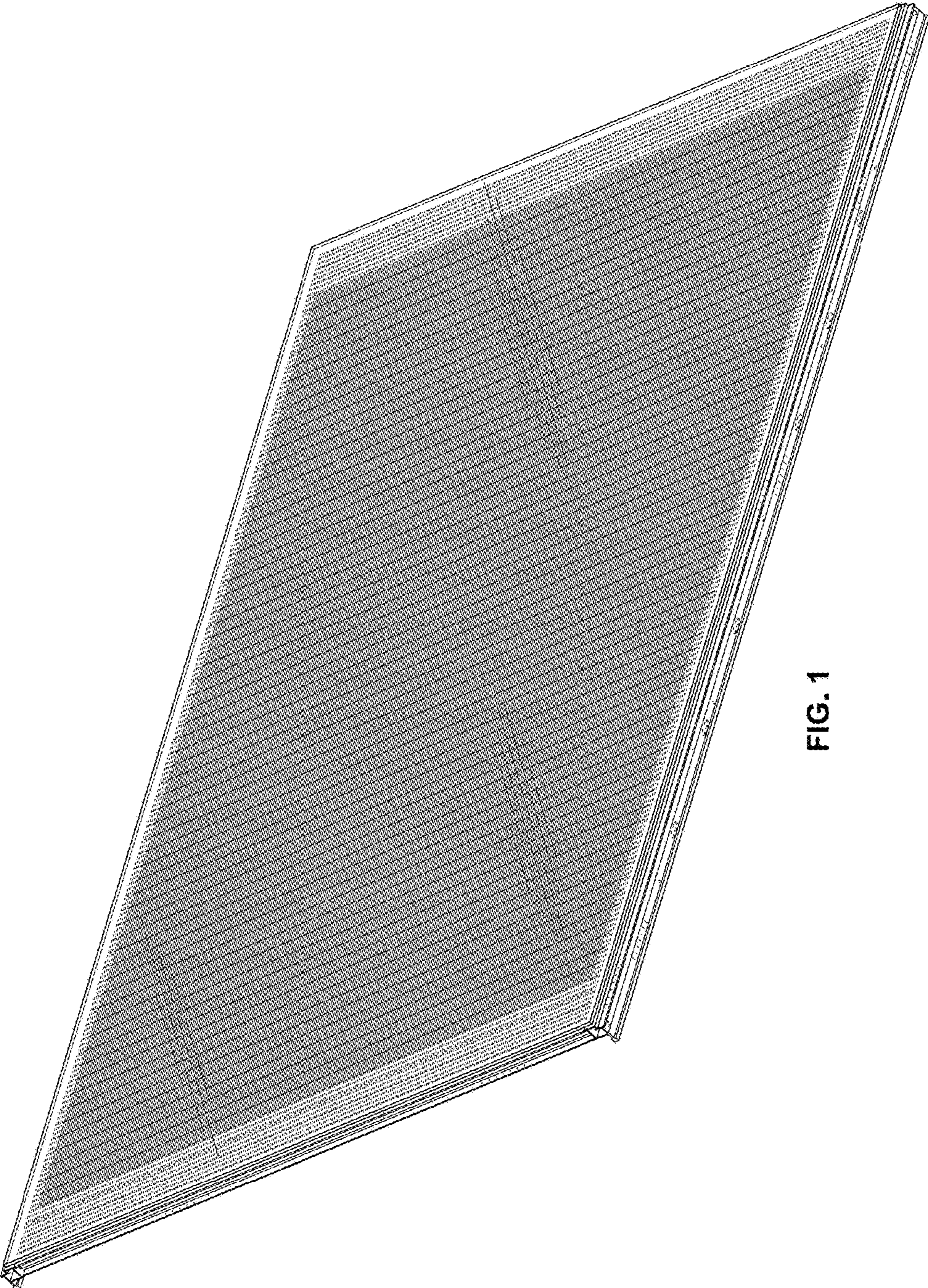


FIG. 1

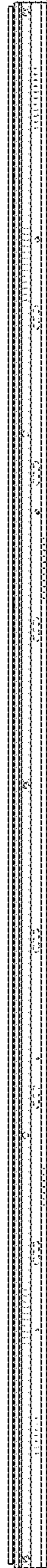


FIG. 2



FIG. 3

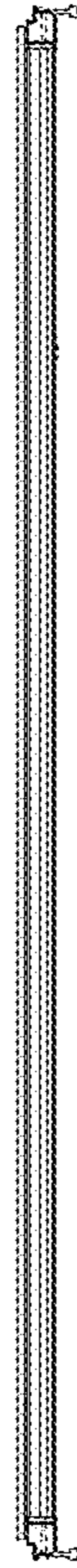


FIG. 4

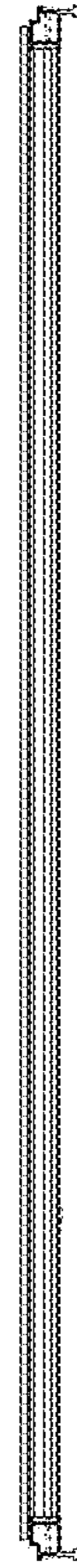


FIG. 5

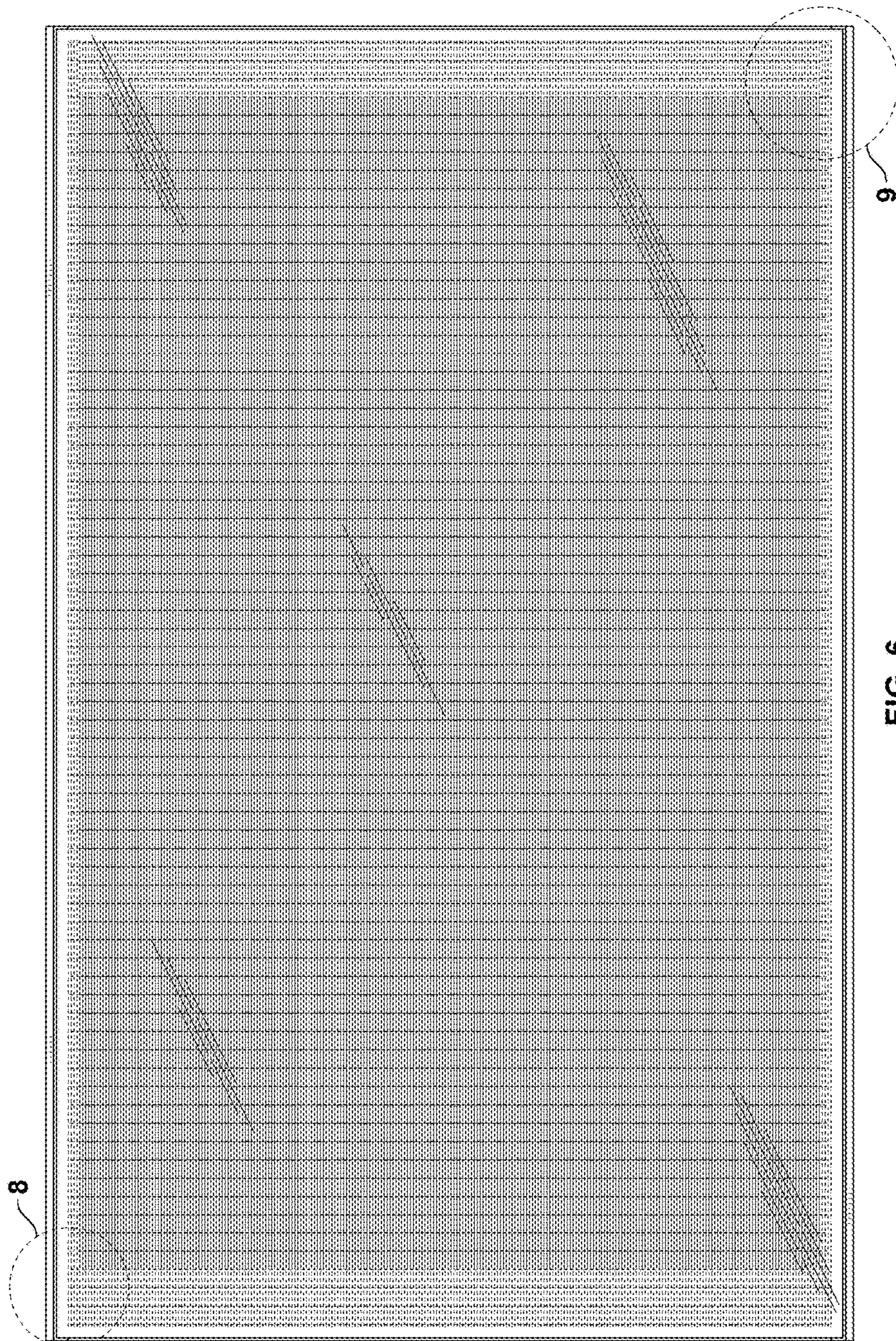


FIG. 6

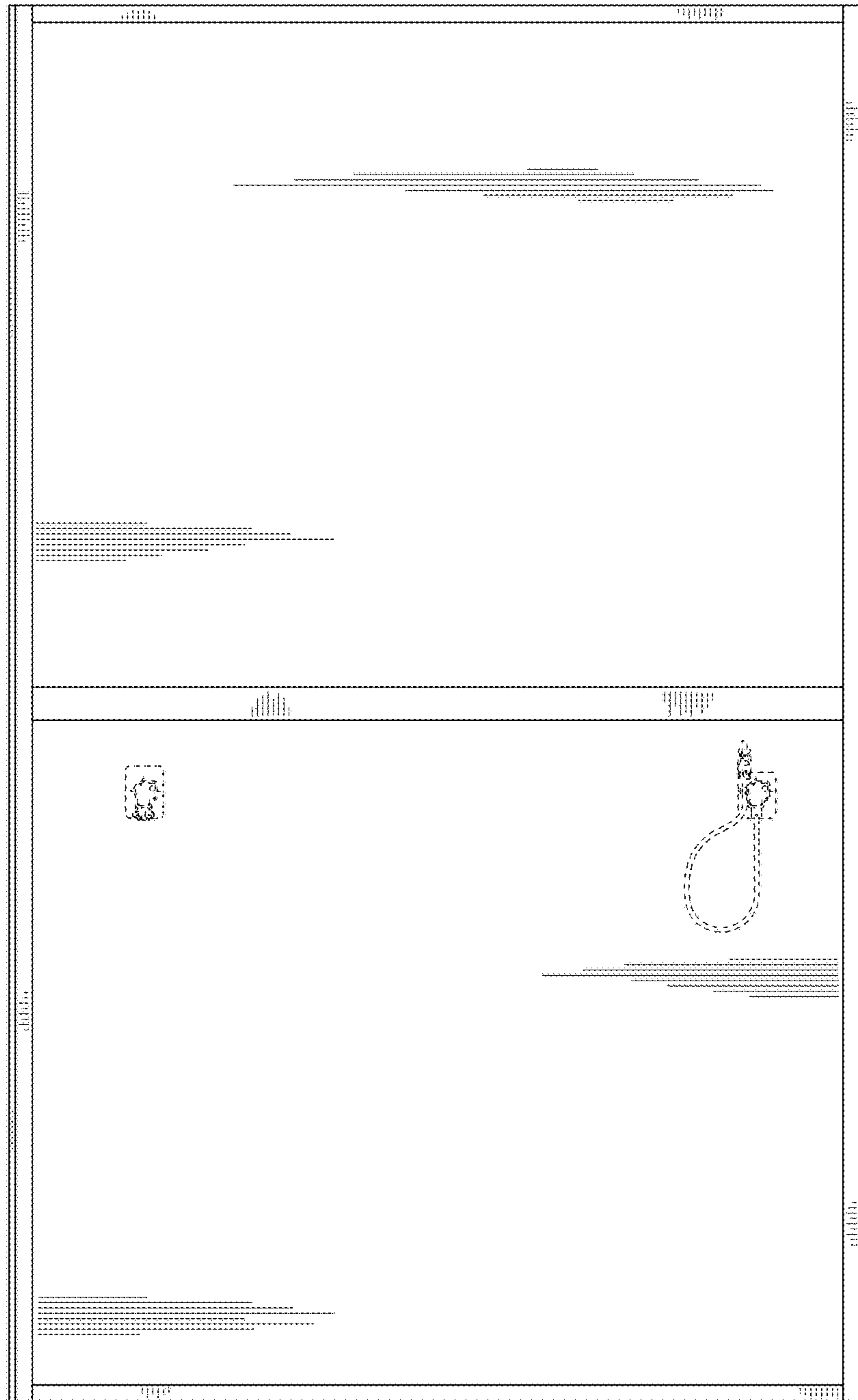


FIG. 7

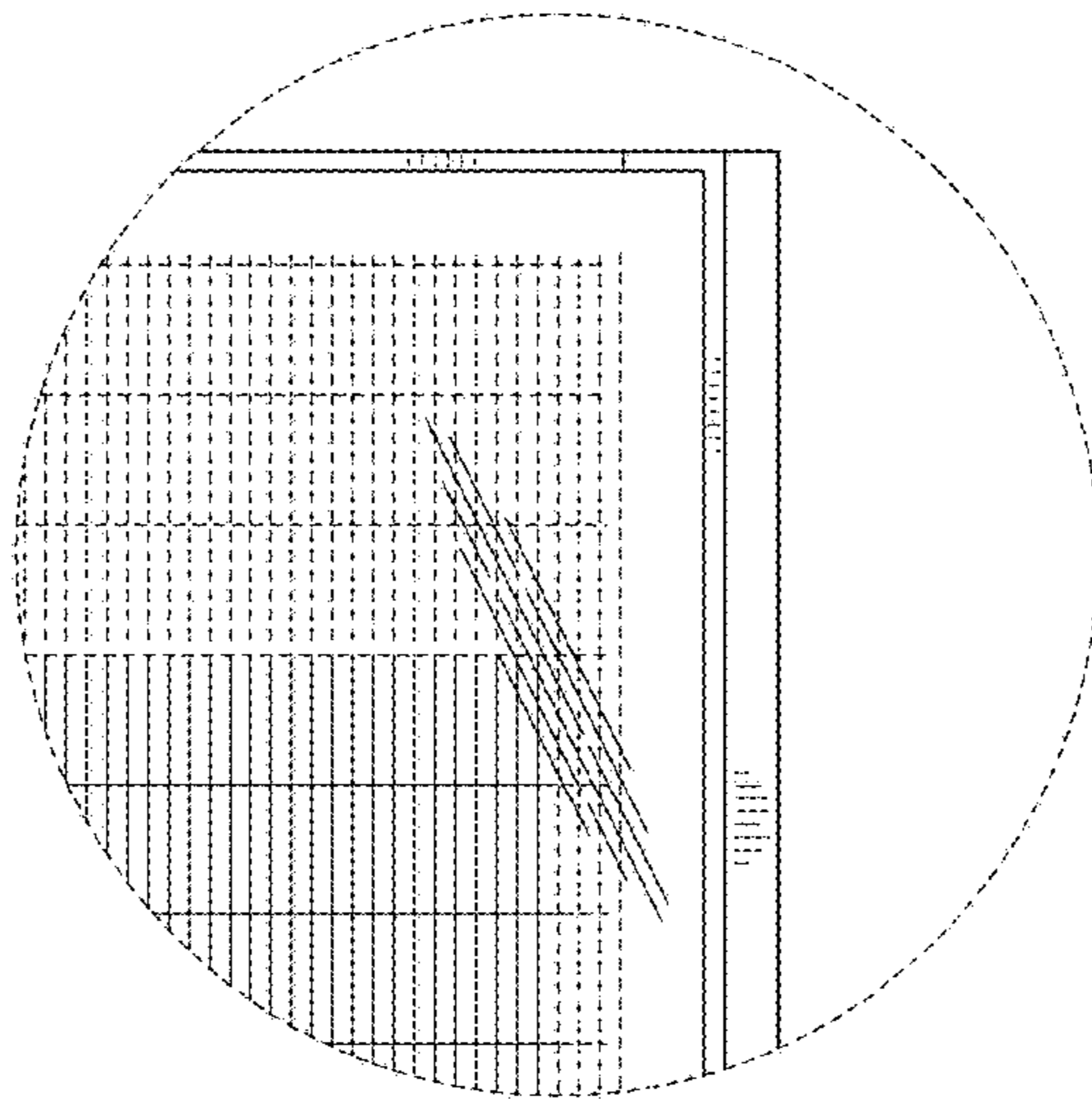


FIG. 9

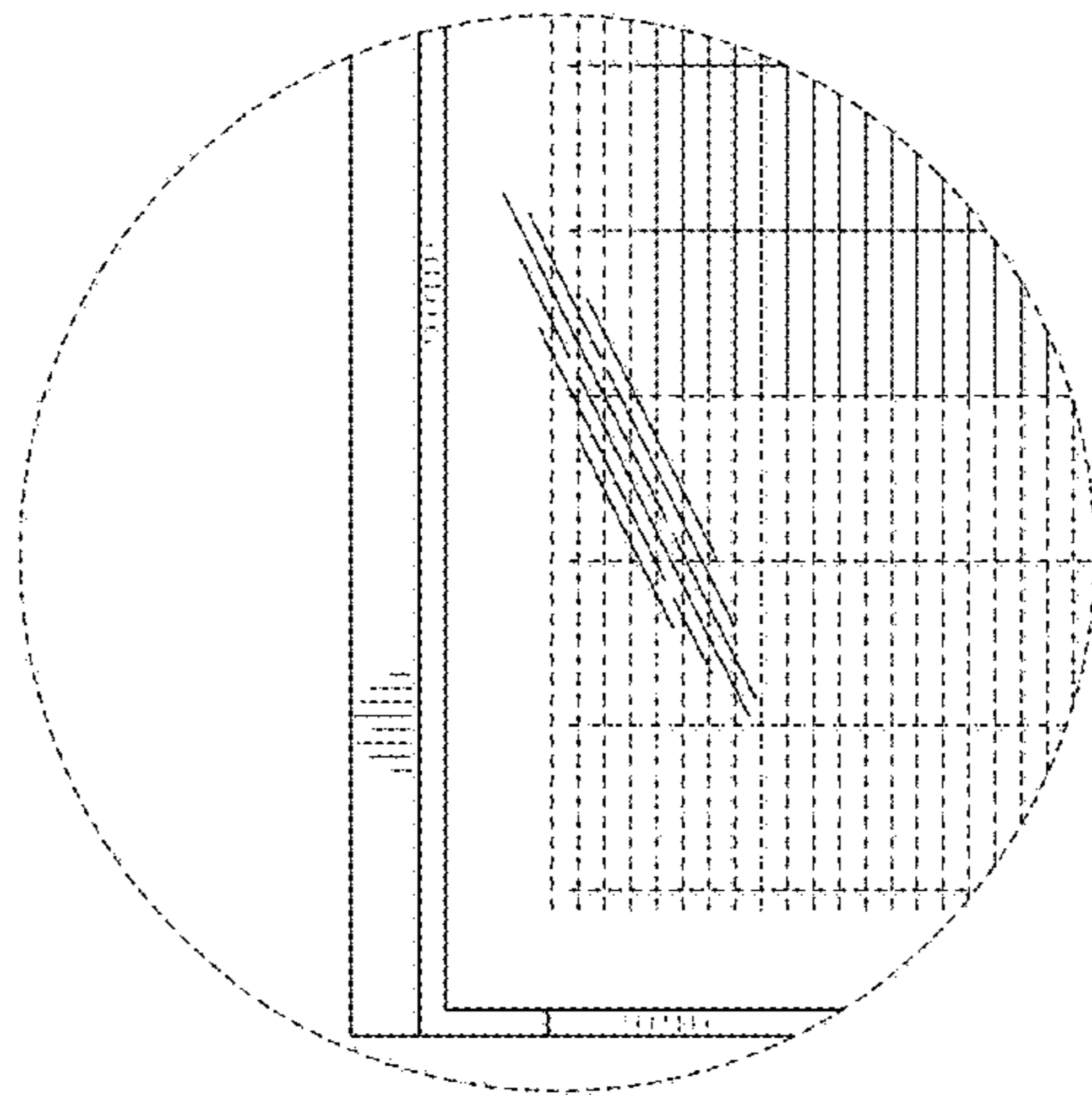


FIG. 8