



US00D848358S

(12) **United States Design Patent** (10) **Patent No.:** **US D848,358 S**
Kamada (45) **Date of Patent:** **** May 14, 2019**

- (54) **TIRE SIDEWALL**
- (71) Applicant: **BRIDGESTONE CORPORATION**,
Tokyo (JP)
- (72) Inventor: **Shiho Kamada**, Tokyo (JP)
- (73) Assignee: **BRIDGESTONE CORPORATION**,
Chuo-ku, Tokyo (JP)
- (**) Term: **15 Years**
- (21) Appl. No.: **29/637,539**
- (22) Filed: **Feb. 20, 2018**
- (30) **Foreign Application Priority Data**
Aug. 21, 2017 (JP) 2017-017875
- (51) **LOC (11) Cl.** **12-15**
- (52) **U.S. Cl.**
USPC **D12/605**
- (58) **Field of Classification Search**
USPC D12/604, 605
CPC B60C 13/00; B60C 1/00
See application file for complete search history.

- (56) **References Cited**
U.S. PATENT DOCUMENTS
D590,332 S * 4/2009 Sato D12/605
D593,486 S * 6/2009 Yonetsu D12/605
D600,199 S * 9/2009 Ibaraki D12/605
D618,165 S * 6/2010 Sato D12/605
D693,761 S * 11/2013 Nakamura D12/605
D708,121 S * 7/2014 Iwabuchi D12/605
D709,025 S * 7/2014 Takahashi D12/605
D735,123 S * 7/2015 Iwabuchi D12/605
D735,124 S * 7/2015 Iwabuchi D12/605
D750,553 S * 3/2016 Scheifele D12/605
D750,554 S * 3/2016 Iwabuchi D12/605
D750,555 S * 3/2016 Iwabuchi D12/605
D769,806 S * 10/2016 Yasunaga D12/605
D773,986 S * 12/2016 Nakamura D12/605

- D773,987 S * 12/2016 Ishikawa D12/605
- D782,406 S * 3/2017 Takahashi D12/605
- D790,450 S * 6/2017 Sato D12/605

(Continued)

FOREIGN PATENT DOCUMENTS

JP 1541337 S 1/2016

OTHER PUBLICATIONS

Notification from the Japanese Patent Office of Japanese Application No. 2017-017875 dated Jan. 30, 2018.

Primary Examiner — Michelle E. Wilson
Assistant Examiner — Clese Moore, Jr.
(74) *Attorney, Agent, or Firm* — Sughrue Mion, PLLC

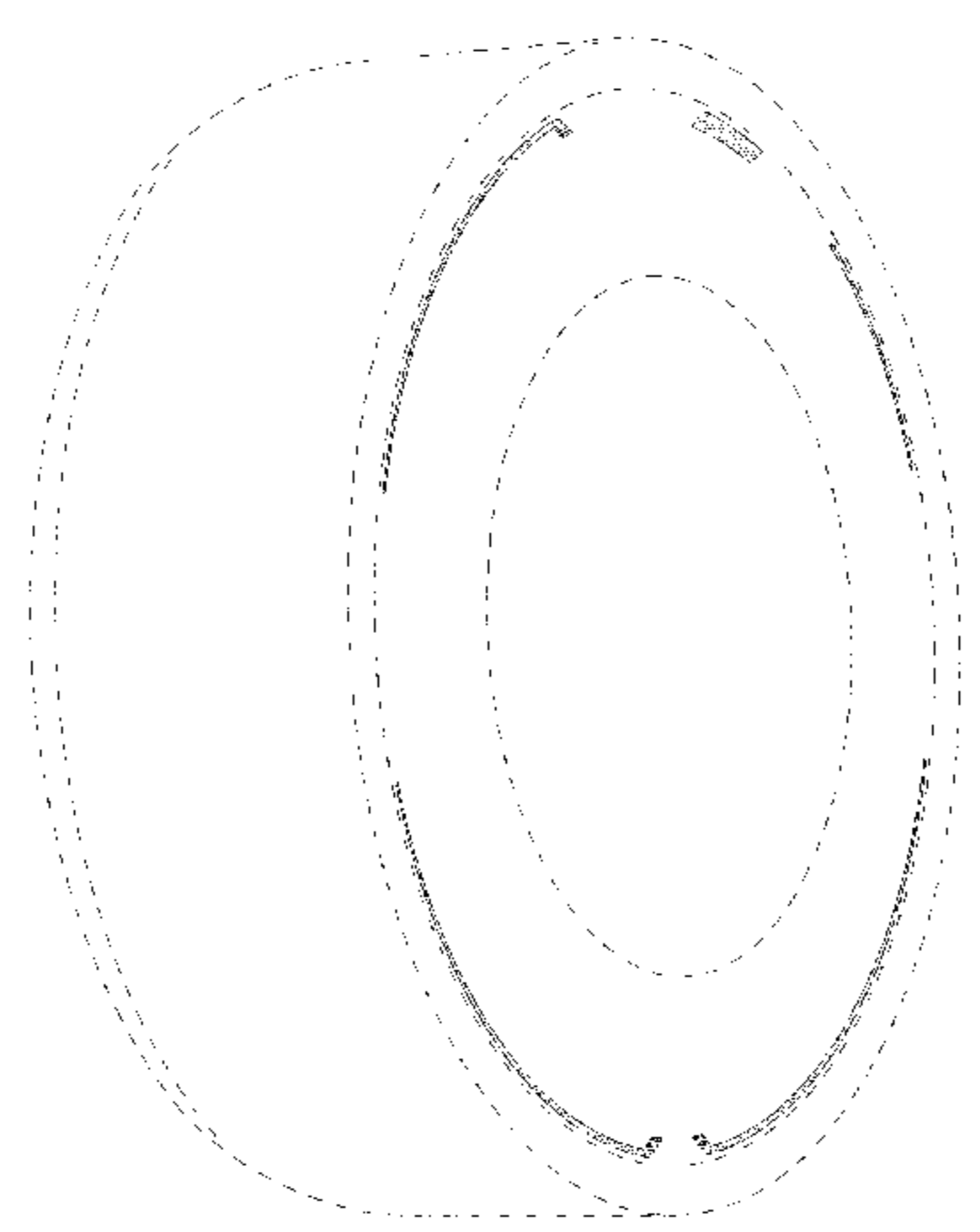
(57) **CLAIM**

The ornamental design for a tire sidewall, as shown and described.

DESCRIPTION

FIG. 1 is a perspective view of a tire sidewall showing my new design;
FIG. 2 is a perspective view thereof;
FIG. 3 is a front view thereof;
FIG. 4 is a top plan view thereof;
FIG. 5 is a right side view thereof;
FIG. 6 is a rear view thereof;
FIG. 7 is a fragmentary enlarged front view surrounded by lines in FIG. 3;
FIG. 8 is an end view taken along line 8-8 between 8-8 in FIG. 7;
FIG. 9 is a fragmentary enlarged front view surrounded by lines in FIG. 3; and,
FIG. 10 is an end view taken along line 10-10 between 10-10 in FIG. 9.
Broken lines in the drawing figures are intended to show portions of the tire sidewall that are not being claimed, and thus form no part of the claimed invention.

1 Claim, 10 Drawing Sheets



(56)

References Cited

U.S. PATENT DOCUMENTS

D790,451 S *	6/2017	Sato	D12/605
D791,067 S *	7/2017	Iwabuchi	D12/605
D791,693 S *	7/2017	Iwabuchi	D12/605
D792,336 S *	7/2017	Iwabuchi	D12/605
D792,337 S *	7/2017	Ishikawa	D12/605
D792,340 S *	7/2017	Iwabuchi	D12/605
D795,798 S *	8/2017	Kamada	D12/605
D803,149 S *	11/2017	Ishikawa	D12/605
D804,402 S *	12/2017	Kamada	D12/605

* cited by examiner

FIG. 1

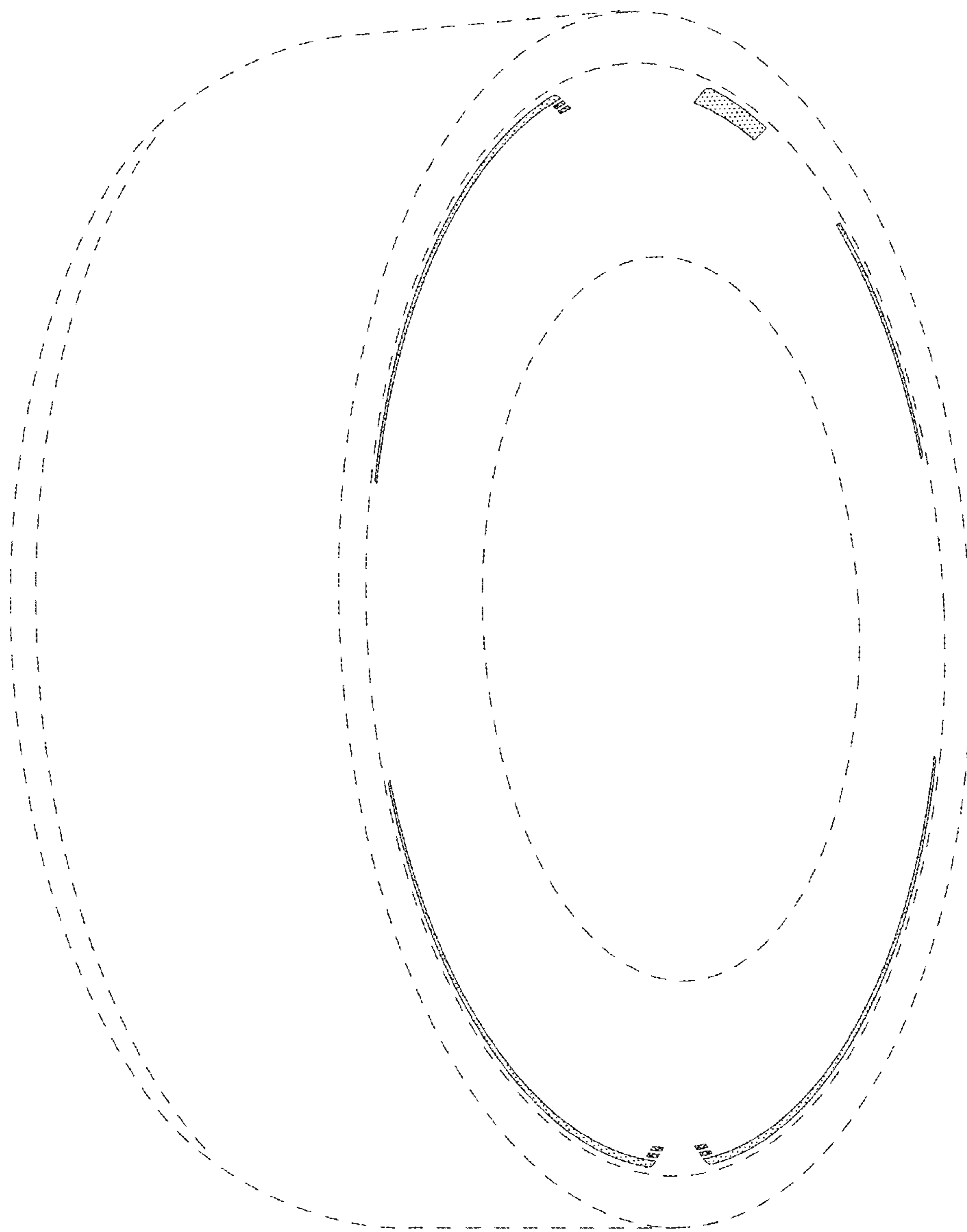


FIG. 2

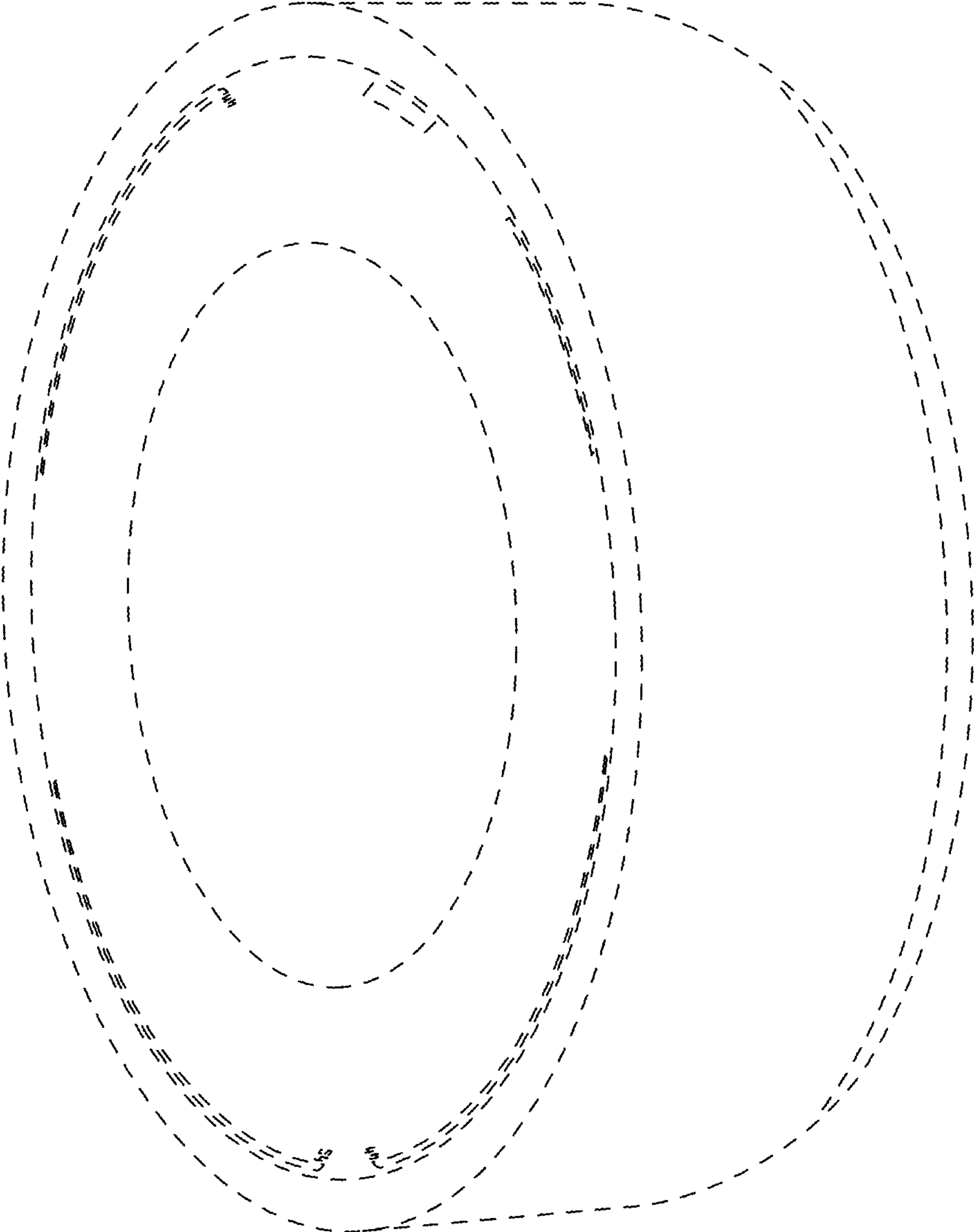


FIG. 3

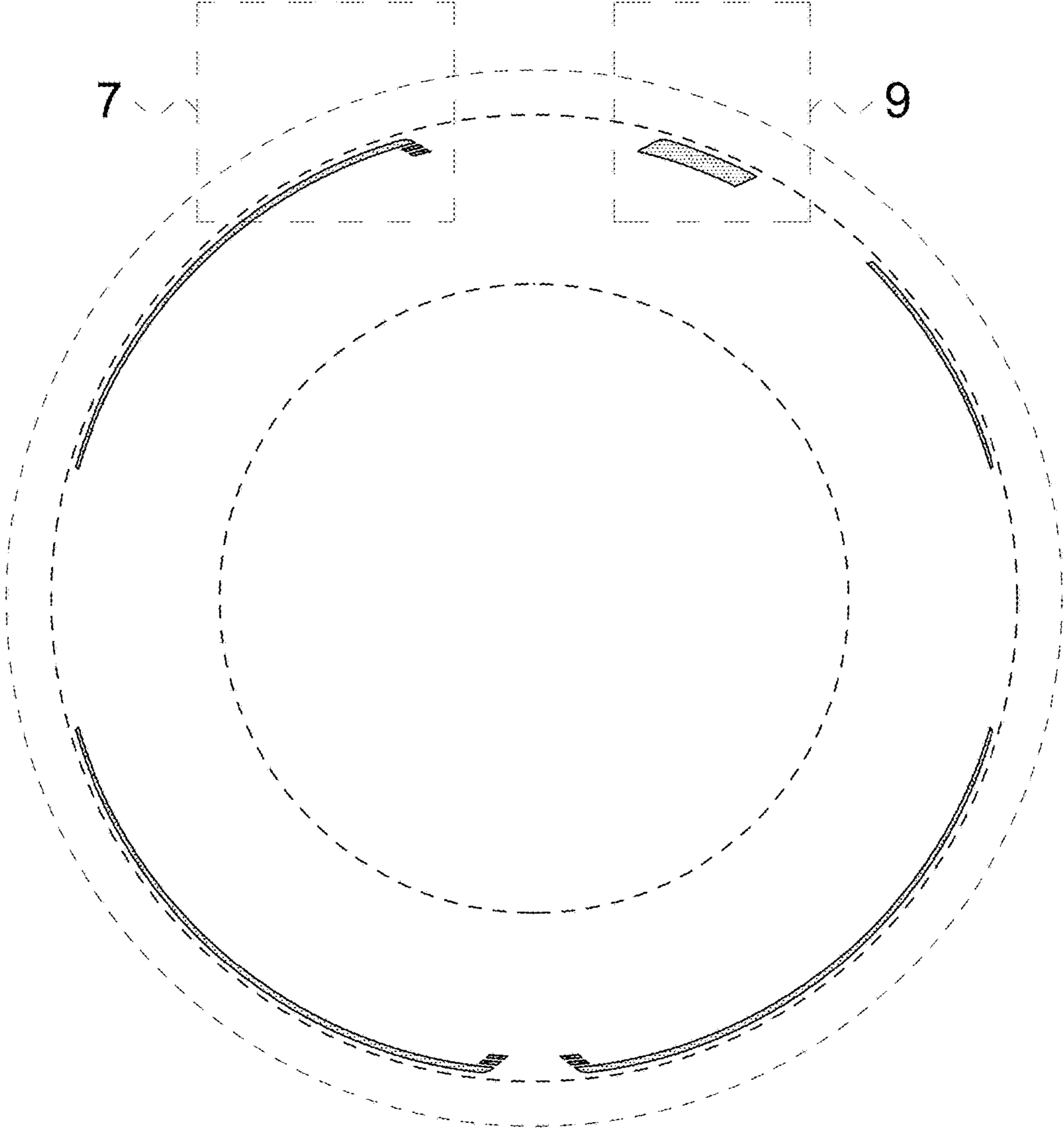


FIG. 4

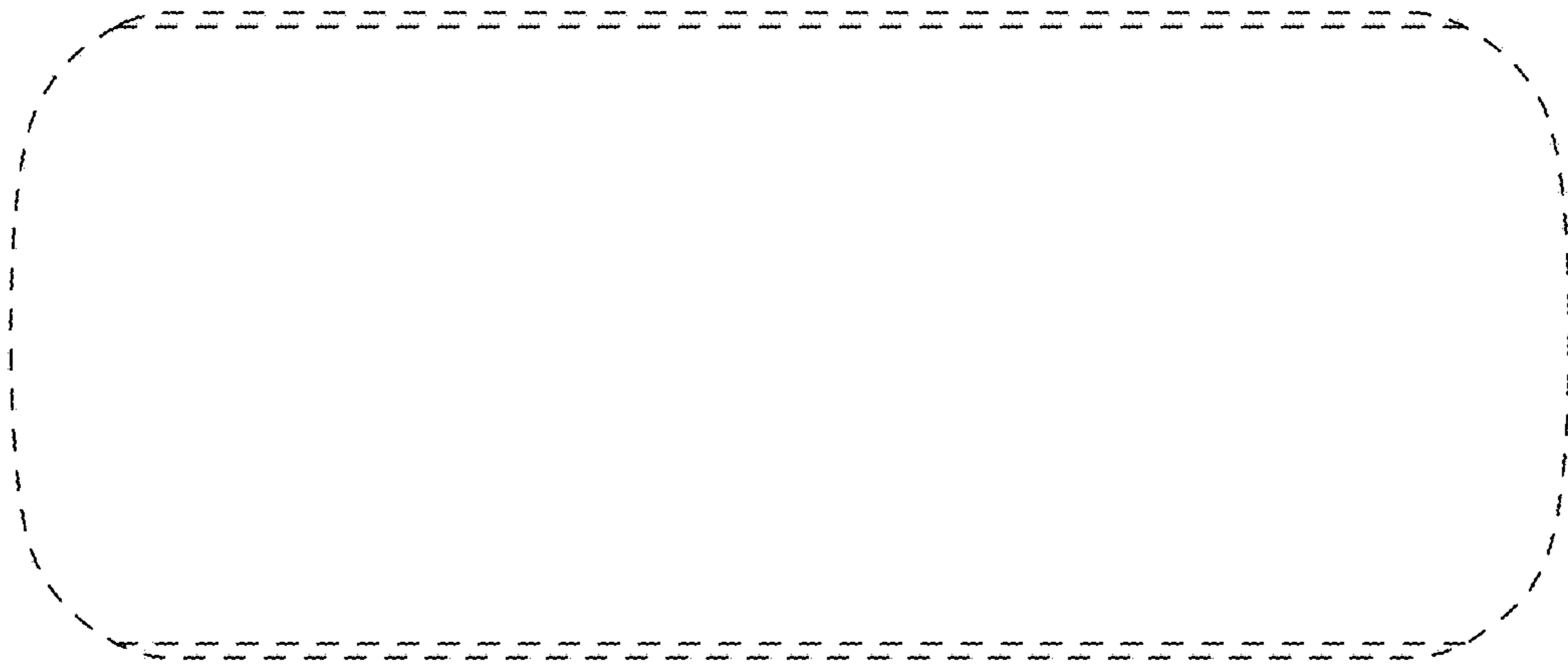


FIG. 5

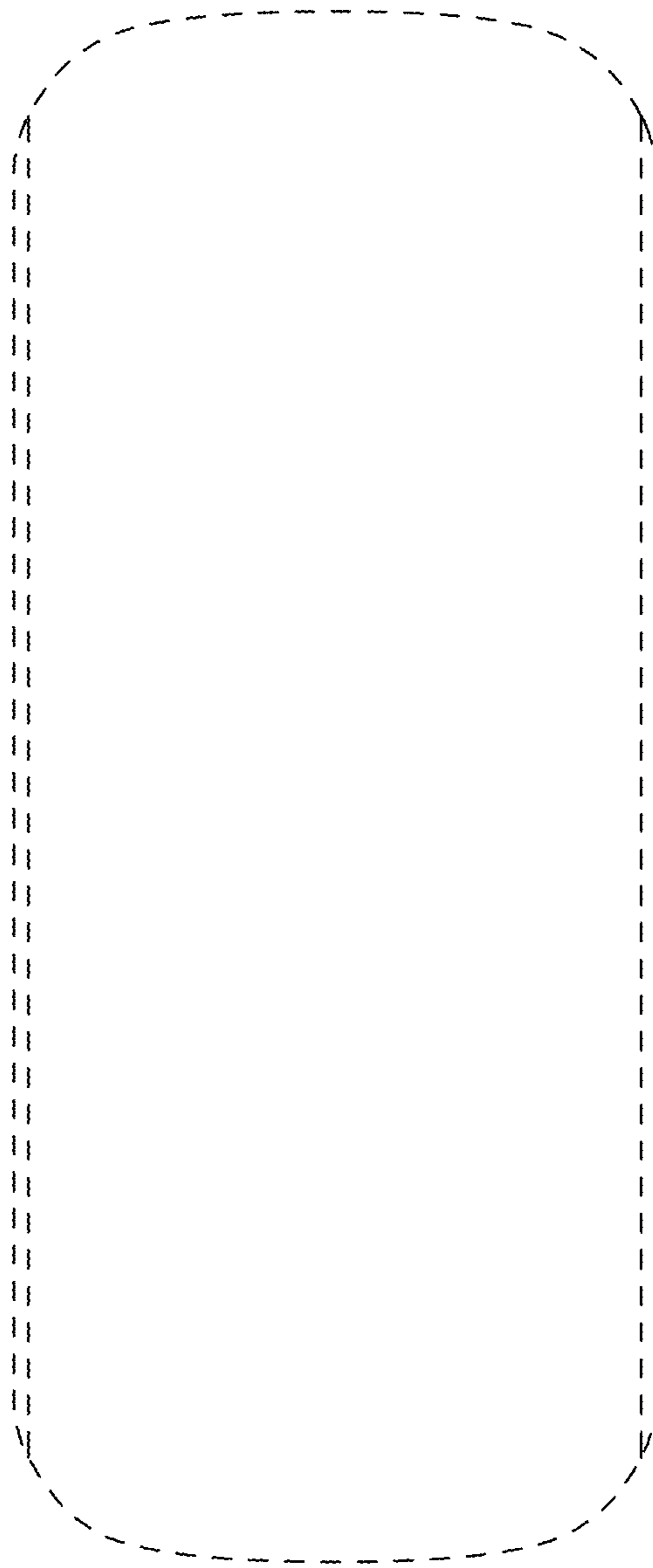


FIG. 6

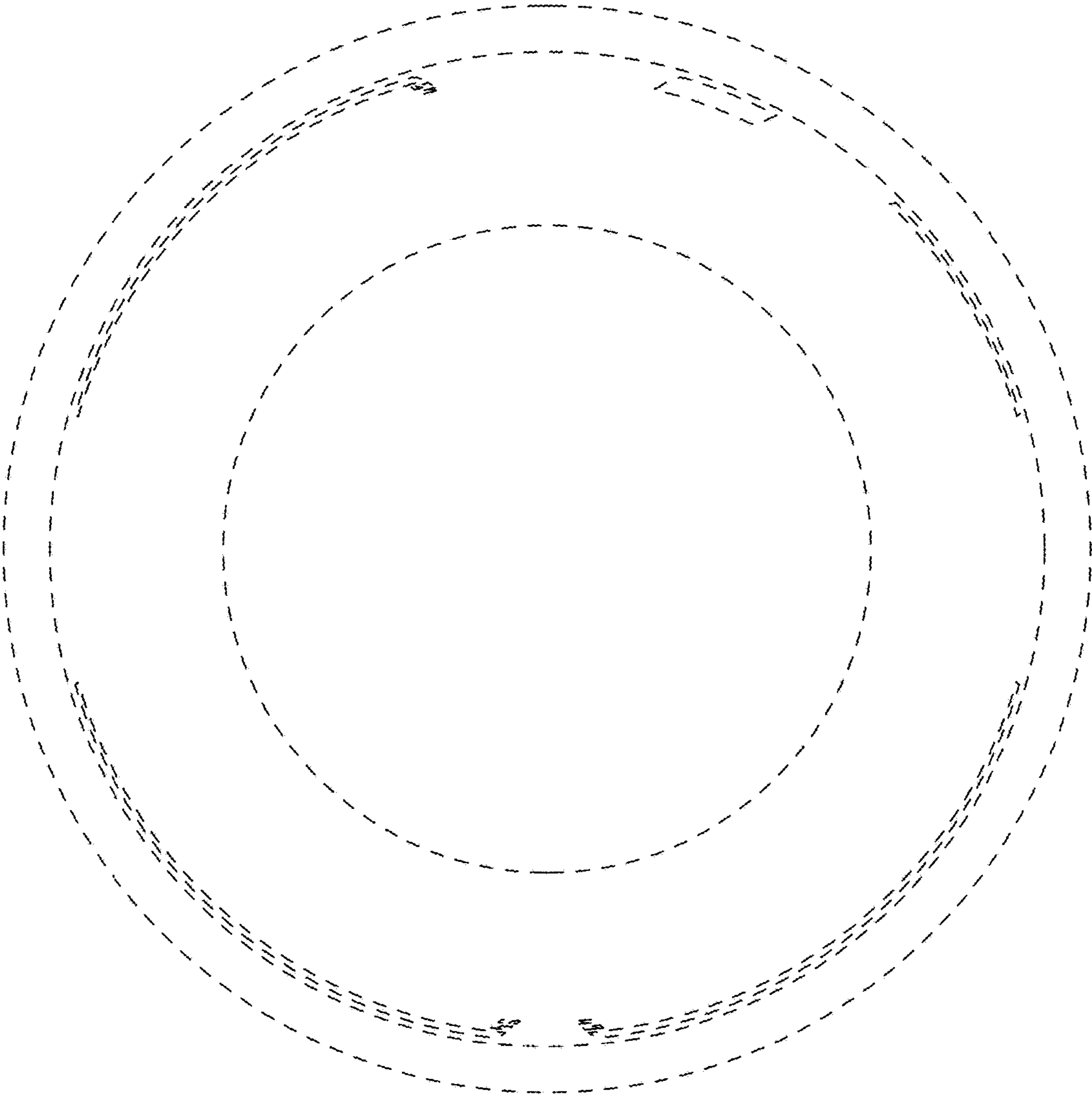


FIG. 7

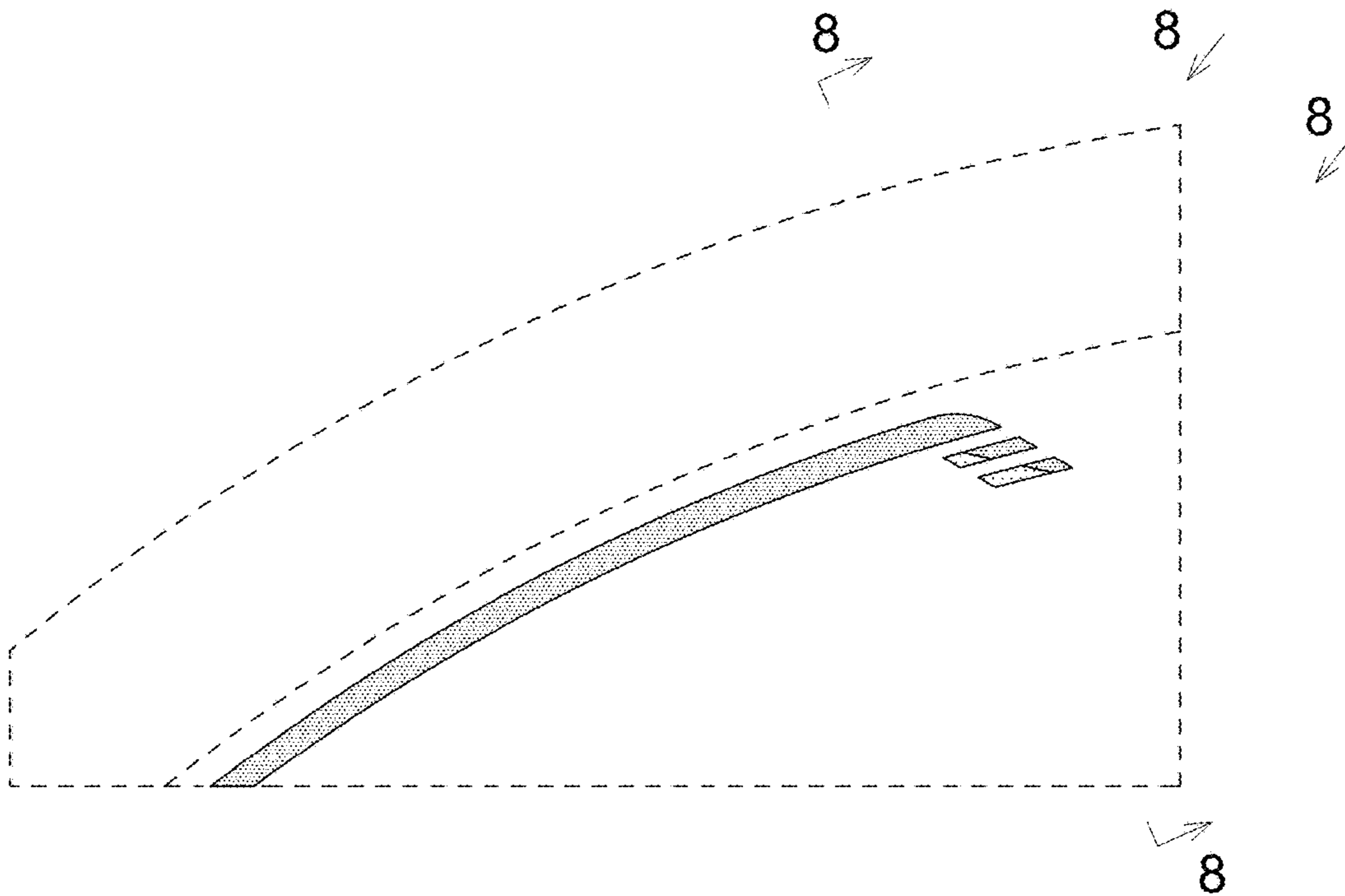


FIG. 8

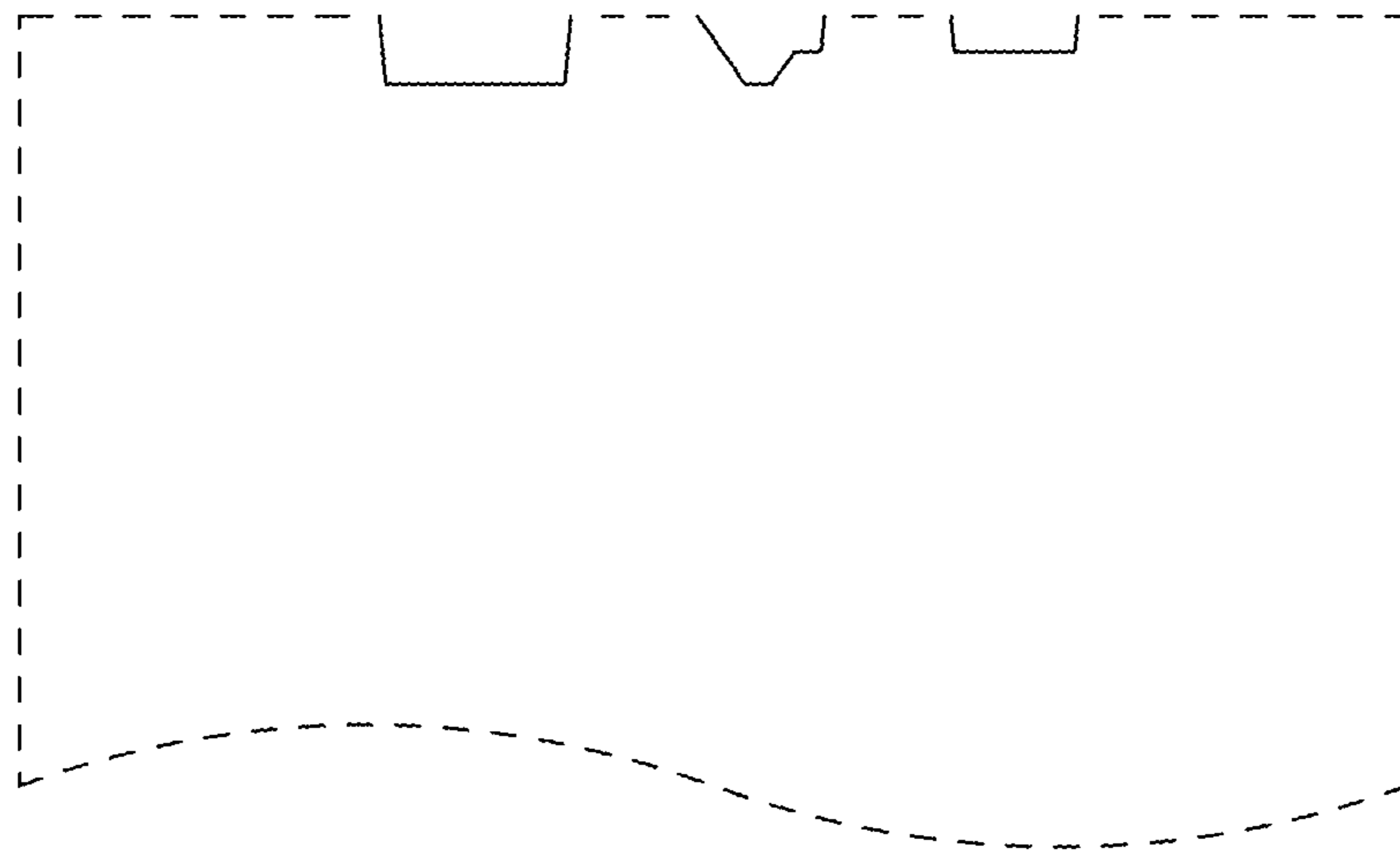


FIG. 9

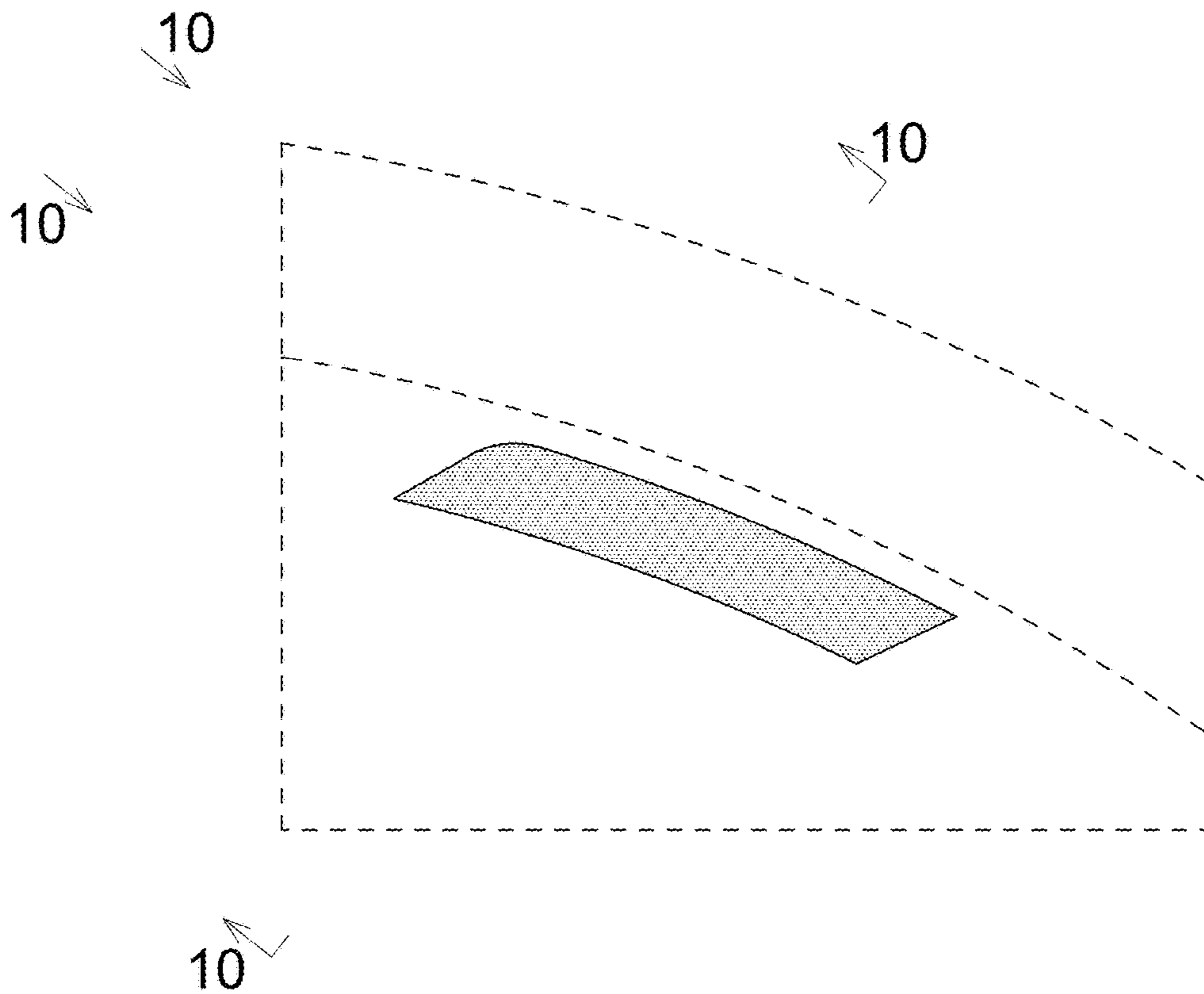


FIG. 10

