



US00D848357S

(12) **United States Design Patent**
Taniguchi et al.

(10) **Patent No.:** **US D848,357 S**

(45) **Date of Patent:** **** May 14, 2019**

- (54) **TIRE**
- (71) Applicant: **TOYO TIRE & RUBBER CO., LTD.**,
Itami-shi, Hyogo (JP)
- (72) Inventors: **Jiro Taniguchi**, Itami (JP); **Toshikazu Yasunaga**, Itami (JP)
- (73) Assignee: **Toyo Tire & Rubber Co., Ltd.**,
Itami-shi, Hyogo (JP)

- D662,465 S * 6/2012 Takano D12/605
- D669,845 S * 10/2012 Iwabuchi D12/605
- D671,066 S * 11/2012 Morito D12/605
- D678,832 S * 3/2013 Fontaine D12/605
- D681,546 S * 5/2013 Sato D12/605
- D681,547 S * 5/2013 Sato D12/605
- D683,695 S * 6/2013 Takeshima D12/605
- D695,211 S * 12/2013 Yasunaga D12/605
- D710,297 S * 8/2014 Itoi D12/605
- D740,220 S * 10/2015 Nakamura D12/605
- D791,694 S * 7/2017 Sato D12/605

(Continued)

(**) Term: **15 Years**

(21) Appl. No.: **29/636,800**

(22) Filed: **Feb. 12, 2018**

(30) **Foreign Application Priority Data**

Aug. 18, 2017 (JP) 2017-017753

(51) **LOC (11) Cl.** **12-15**

(52) **U.S. Cl.**
USPC **D12/605**

(58) **Field of Classification Search**
USPC D12/604, 605
CPC B60C 13/00; B60C 1/00
See application file for complete search history.

(56) **References Cited**

U.S. PATENT DOCUMENTS

- D452,203 S * 12/2001 Kajikawa D12/605
- D517,003 S * 3/2006 Shondel D12/605
- D541,211 S * 4/2007 Shondel D12/605
- D569,792 S * 5/2008 Holden D12/605
- D588,532 S * 3/2009 Shondel D12/605
- D606,933 S * 12/2009 Palma D12/605
- D610,980 S * 3/2010 Shondel D12/605
- D610,981 S * 3/2010 Shondel D12/605
- D611,403 S * 3/2010 Kuwano D12/605
- D632,641 S * 2/2011 Sato D12/605
- D650,323 S * 12/2011 Morito D12/605
- D655,671 S * 3/2012 Yasunaga D12/605

FOREIGN PATENT DOCUMENTS

JP 1553199 S 7/2016

Primary Examiner — Michelle E. Wilson

Assistant Examiner — Clese Moore, Jr.

(74) *Attorney, Agent, or Firm* — Sterne, Kessler,
Goldstein & Fox P.L.L.C.

(57) **CLAIM**

The ornamental design for a tire, as shown and described.

DESCRIPTION

FIG. 1 is a front perspective view of a tire showing the claimed design;

FIG. 2 is a front view thereof;

FIG. 3 is a rear view thereof;

FIG. 4 is a top plan view thereof, the bottom plan view being a mirror image thereof;

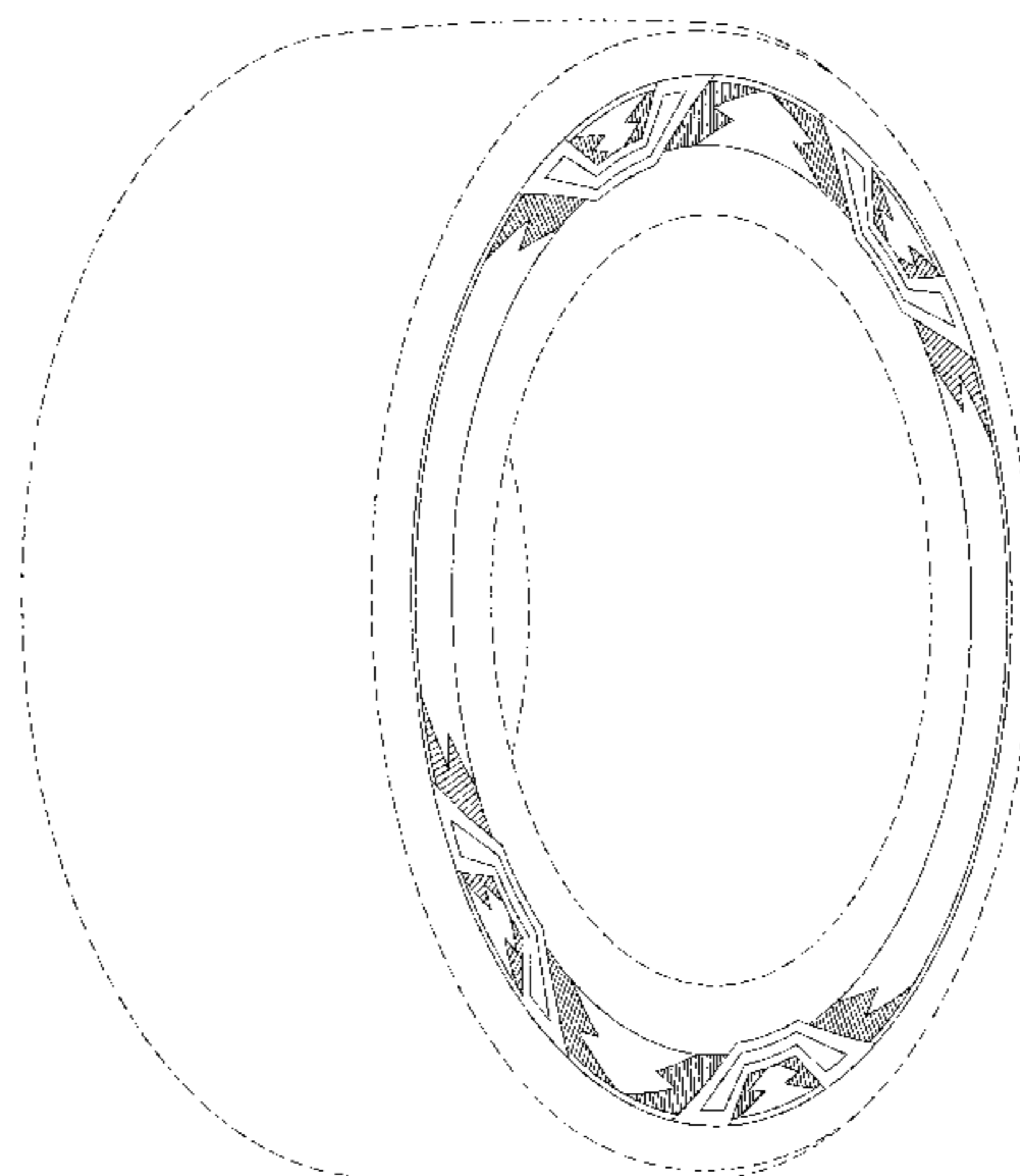
FIG. 5 is a left side view thereof, the right side view being a mirror image thereof;

FIG. 6 is an enlarged view of the portion between 6-6 and 6'-6' in FIG. 2; and,

FIG. 7 is an enlarged cross-sectional view taken along line 7-7 in FIG. 6.

In the drawings, the broken lines show portions of the tire that form no part of the claimed design.

1 Claim, 7 Drawing Sheets



(56)

References Cited

U.S. PATENT DOCUMENTS

D792,338 S	*	7/2017	Itoi	D12/605
D792,340 S	*	7/2017	Iwabuchi	D12/605
D795,178 S	*	8/2017	Maxwell	D12/605
D800,646 S	*	10/2017	Sato	D12/605
D800,647 S	*	10/2017	Morito	D12/605

* cited by examiner

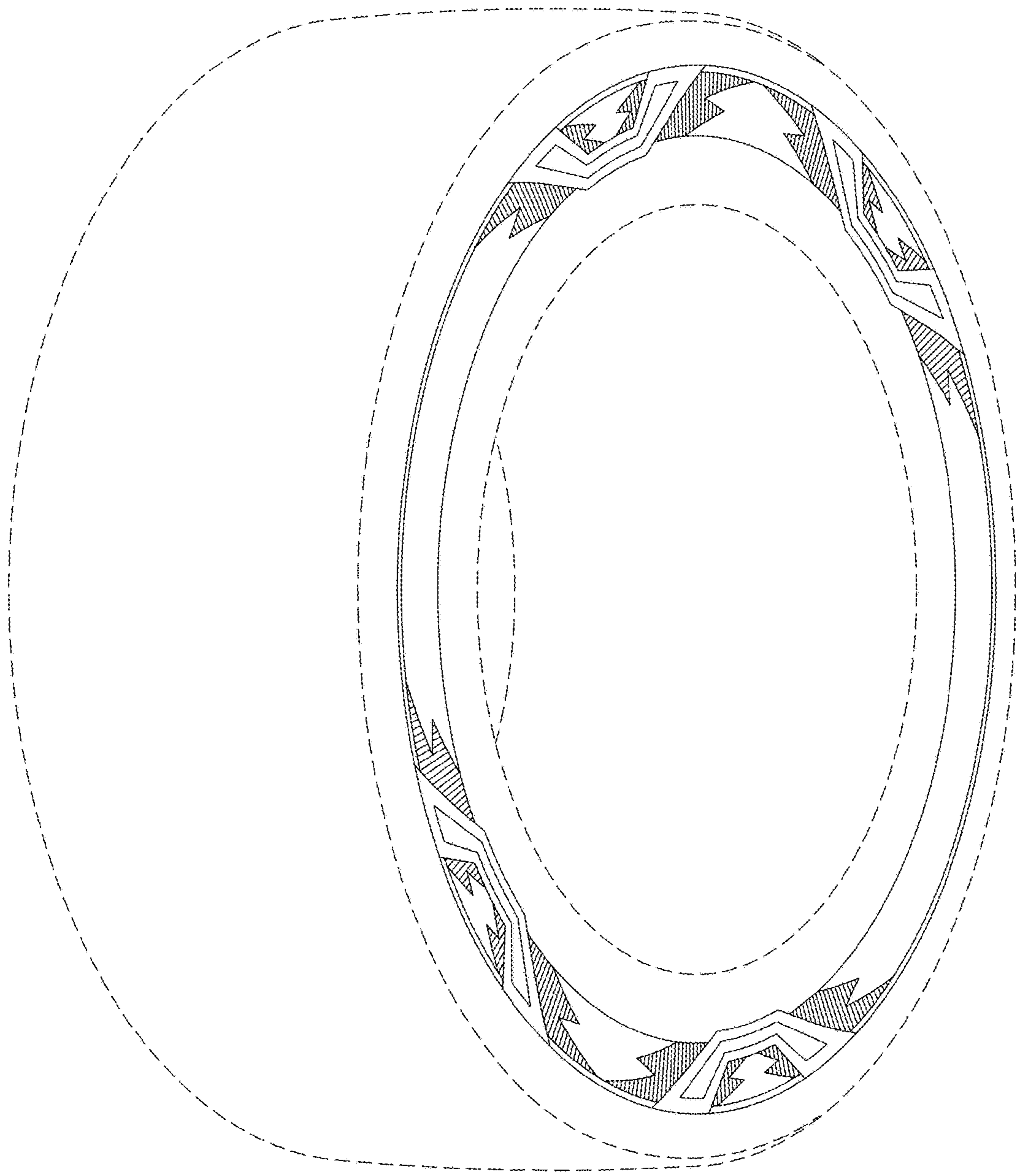


FIG. 1

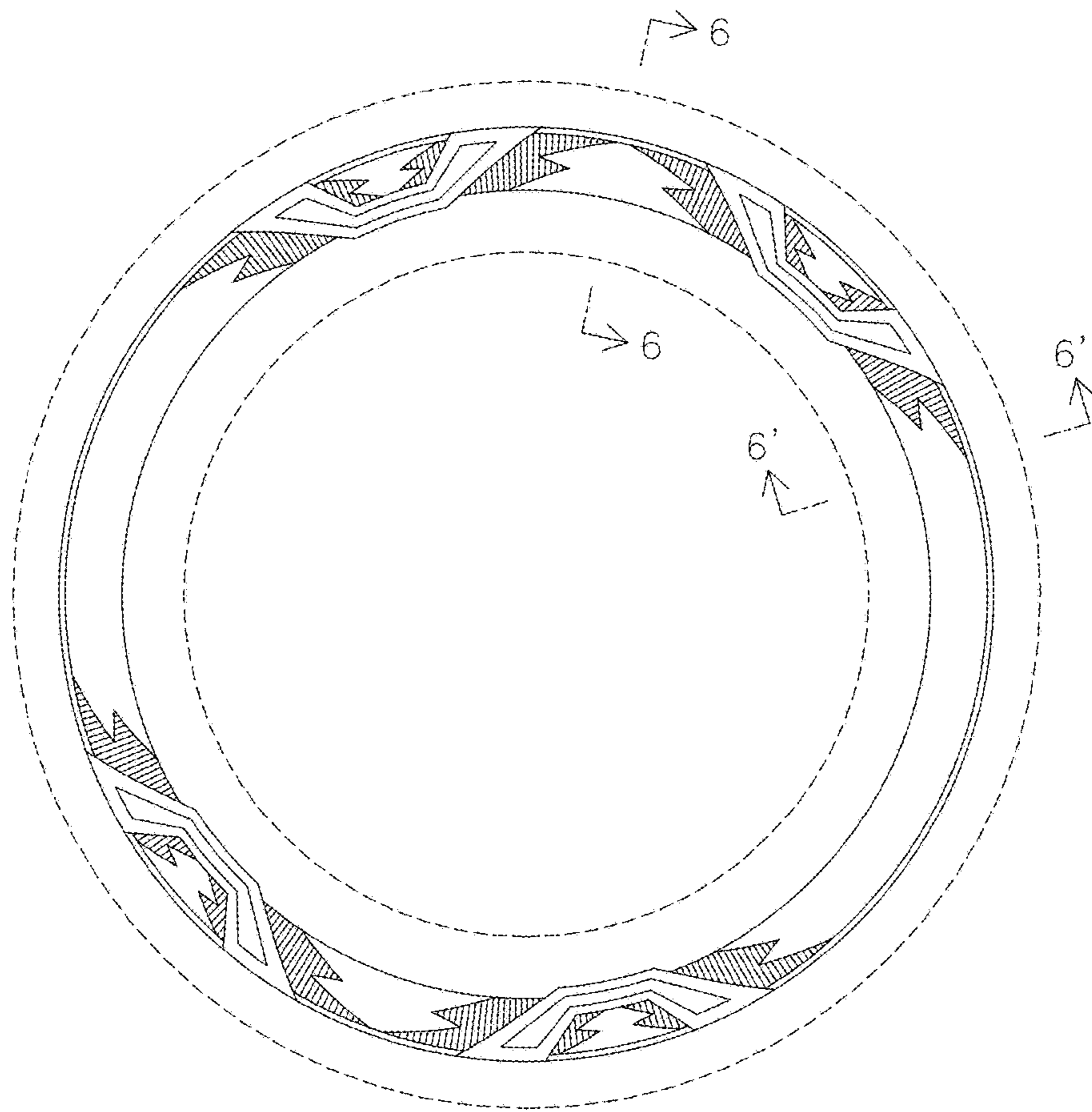


FIG. 2

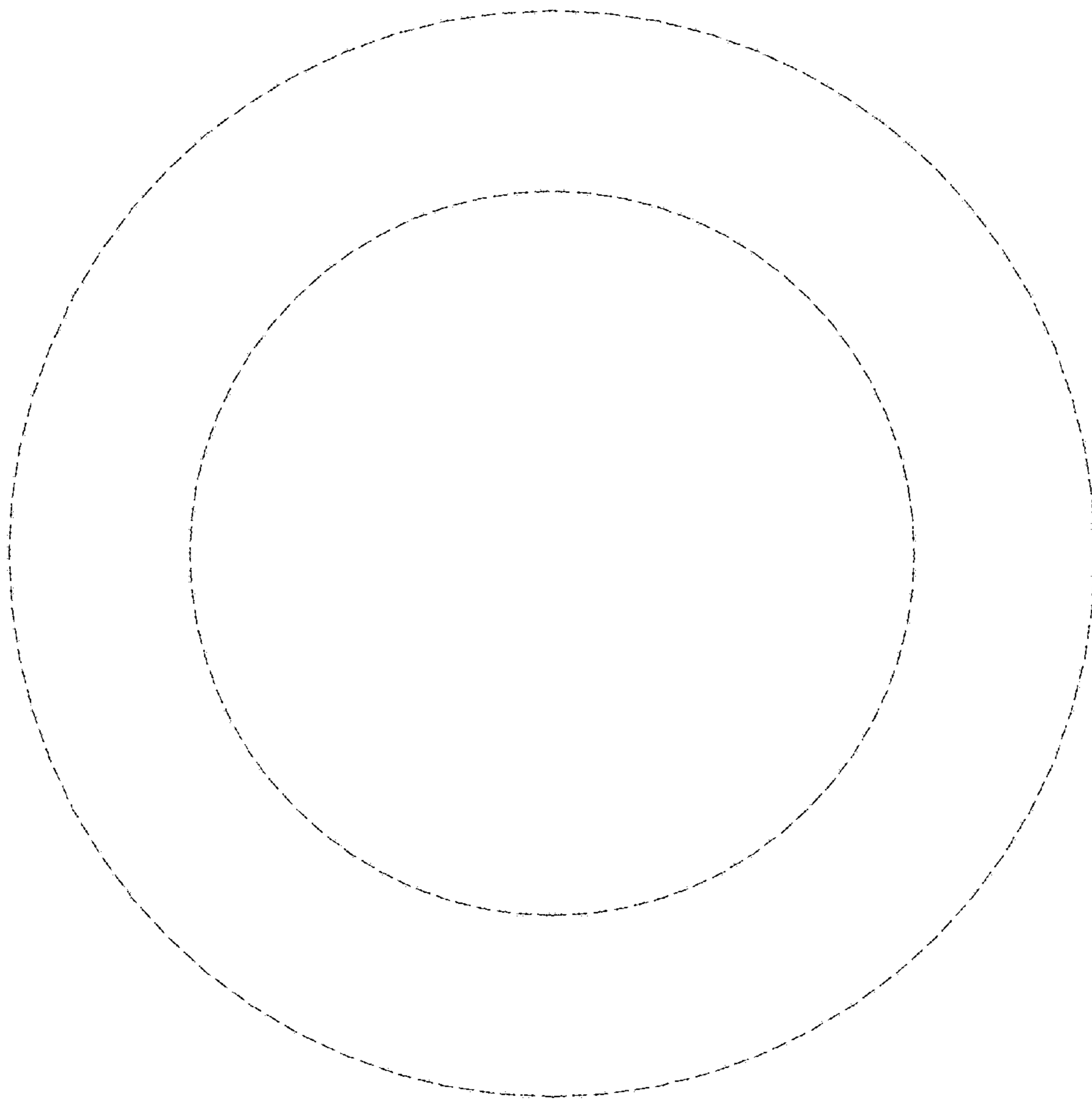


FIG. 3

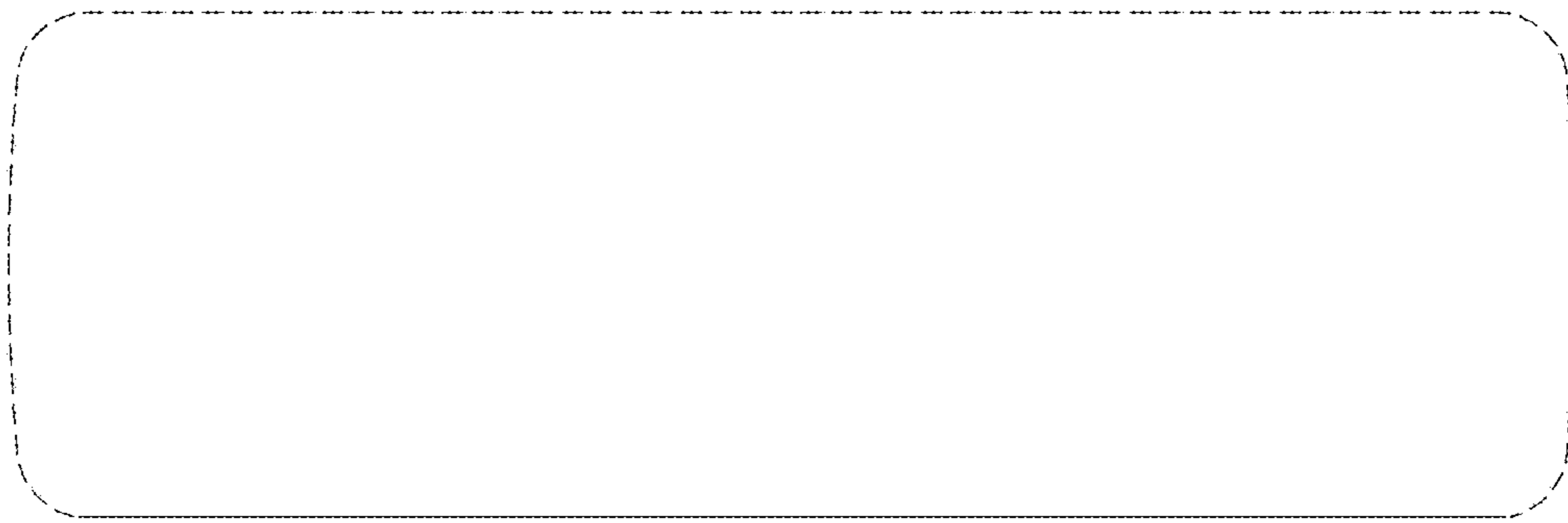


FIG. 4

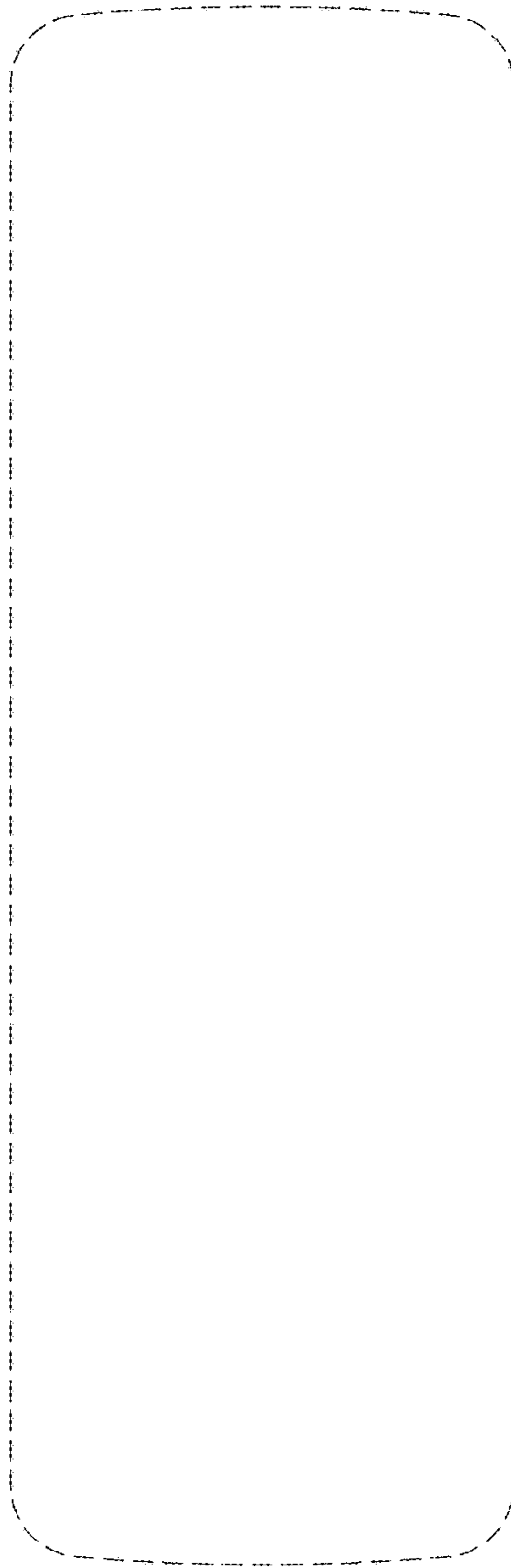


FIG. 5

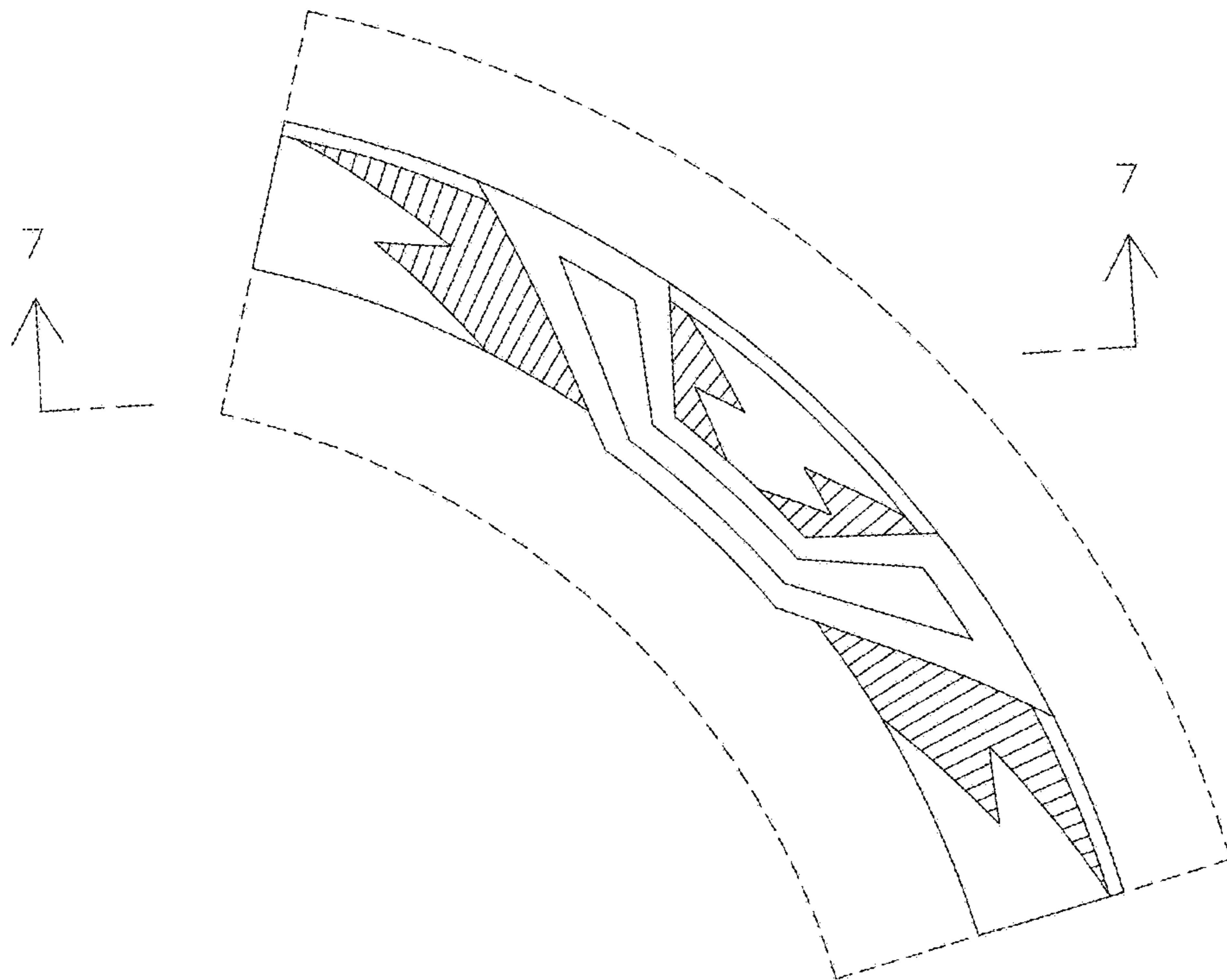


FIG. 6

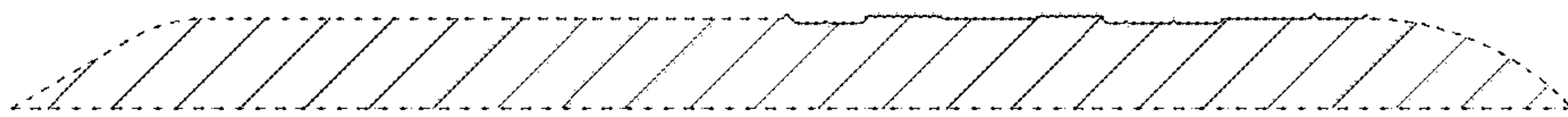


FIG. 7