

US00D848349S

(12) **United States Design Patent** (10) **Patent No.:** **US D848,349 S**
Waco et al. (45) **Date of Patent:** **** May 14, 2019**

(54) **ADJUSTABLE MOUNTING ASSEMBLY OF AN AGRICULTURAL WORK VEHICLE**

(71) Applicant: **CNH Industrial America LLC**, New Holland, PA (US)

(72) Inventors: **Douglas L. Waco**, Oak Park, IL (US); **Bryan Lee Nannet**, Aurora, IL (US); **David Dean Flamme**, Winfield, IL (US); **Dwayne St. George Jackson**, Plainfield, IL (US)

(73) Assignee: **CNH Industrial America LLC**, New Holland, PA (US)

(**) Term: **15 Years**

(21) Appl. No.: **29/589,119**

(22) Filed: **Dec. 28, 2016**

(51) **LOC (11) Cl.** **12-16**

(52) **U.S. Cl.**
USPC **D12/406**

(58) **Field of Classification Search**
USPC D12/406, 414.1, 412-414
CPC B60R 7/02; B60R 9/04; B60R 9/055
See application file for complete search history.

(56) **References Cited**

U.S. PATENT DOCUMENTS

3,865,428	A	2/1975	Chester	
5,538,310	A	7/1996	Frankhouse et al.	
6,557,812	B2	5/2003	Kutzehr et al.	
6,863,326	B1	3/2005	Tiesler et al.	
D539,727	S *	4/2007	O'Connor	D12/414.1
7,219,942	B2	5/2007	Schedivy	
7,334,825	B1 *	2/2008	Sammon	B25H 5/00
				294/24

D564,437	S *	3/2008	Moore	D12/414.1
D570,574	S *	6/2008	Liebenstein	D34/28
7,695,046	B2	4/2010	Osborne et al.	
7,980,798	B1	7/2011	Kuehn et al.	
D722,008	S *	2/2015	Tuel	D12/414.1
D811,984	S *	3/2018	Miers	D12/406
D815,581	S *	4/2018	Anderson	D12/406
D816,011	S *	4/2018	Garcia	D12/406
D817,852	S *	5/2018	Mifsud	D12/406
2010/0034629	A1 *	2/2010	Hamann	B60P 1/003
				414/462
2015/0083346	A1 *	3/2015	Miers	B60P 1/00
				160/127

FOREIGN PATENT DOCUMENTS

EP 2116418 A1 11/2009

* cited by examiner

Primary Examiner — Katrina A Betton

(74) *Attorney, Agent, or Firm* — Rickard K. DeMille; Rebecca L. Henkel

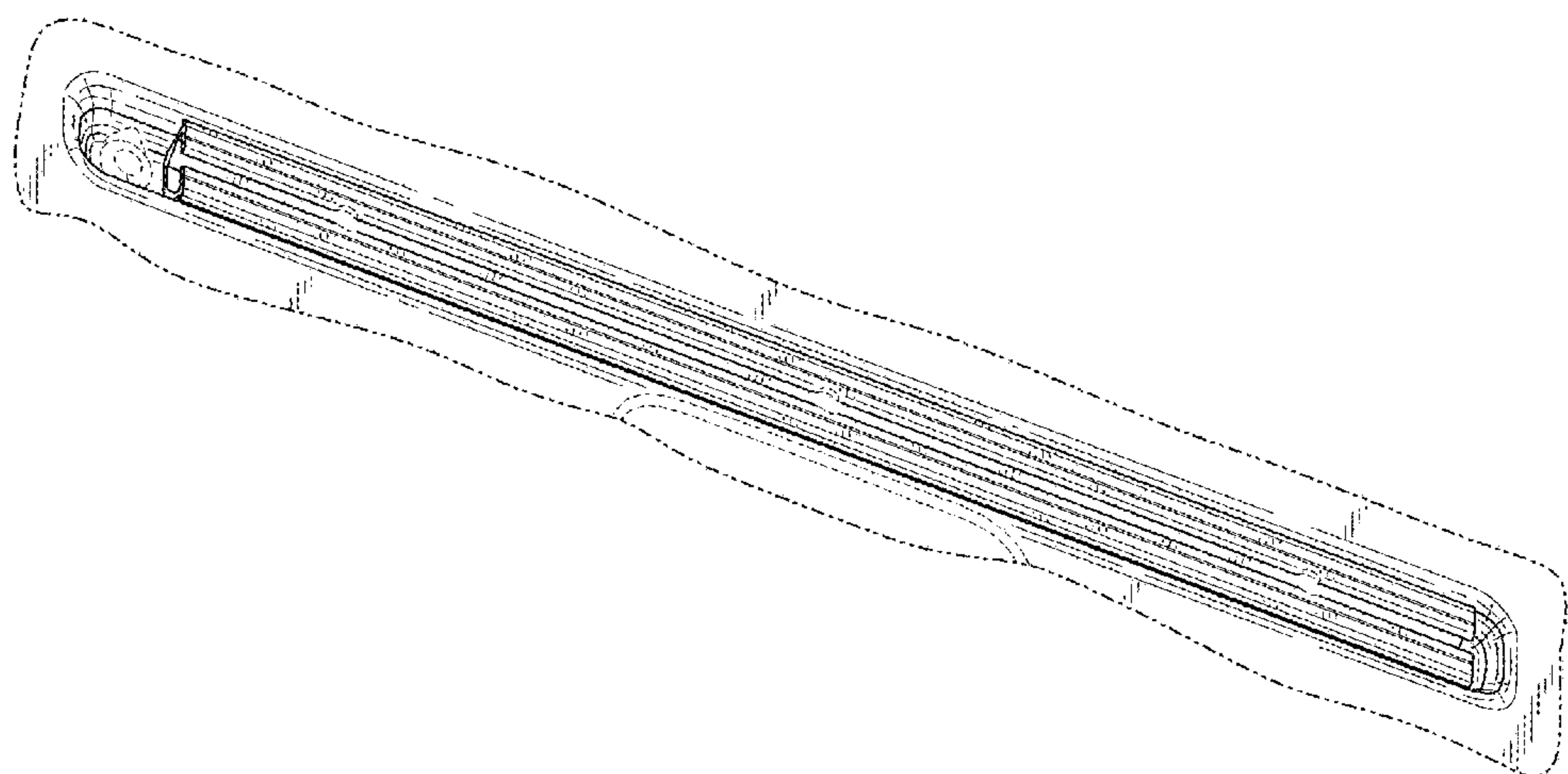
(57) **CLAIM**

The ornamental design for an adjustable mounting assembly of an agricultural work vehicle, as shown and described.

DESCRIPTION

FIG. 1 is a right front perspective view of an adjustable mounting assembly of an agricultural work vehicle; FIG. 2 is a bottom plan view of the adjustable mounting assembly; and, FIG. 3 is a left rear perspective view of the adjustable mounting assembly. In the drawings, the broken lines depict portions of a vehicle that form no part of the claimed design.

1 Claim, 3 Drawing Sheets



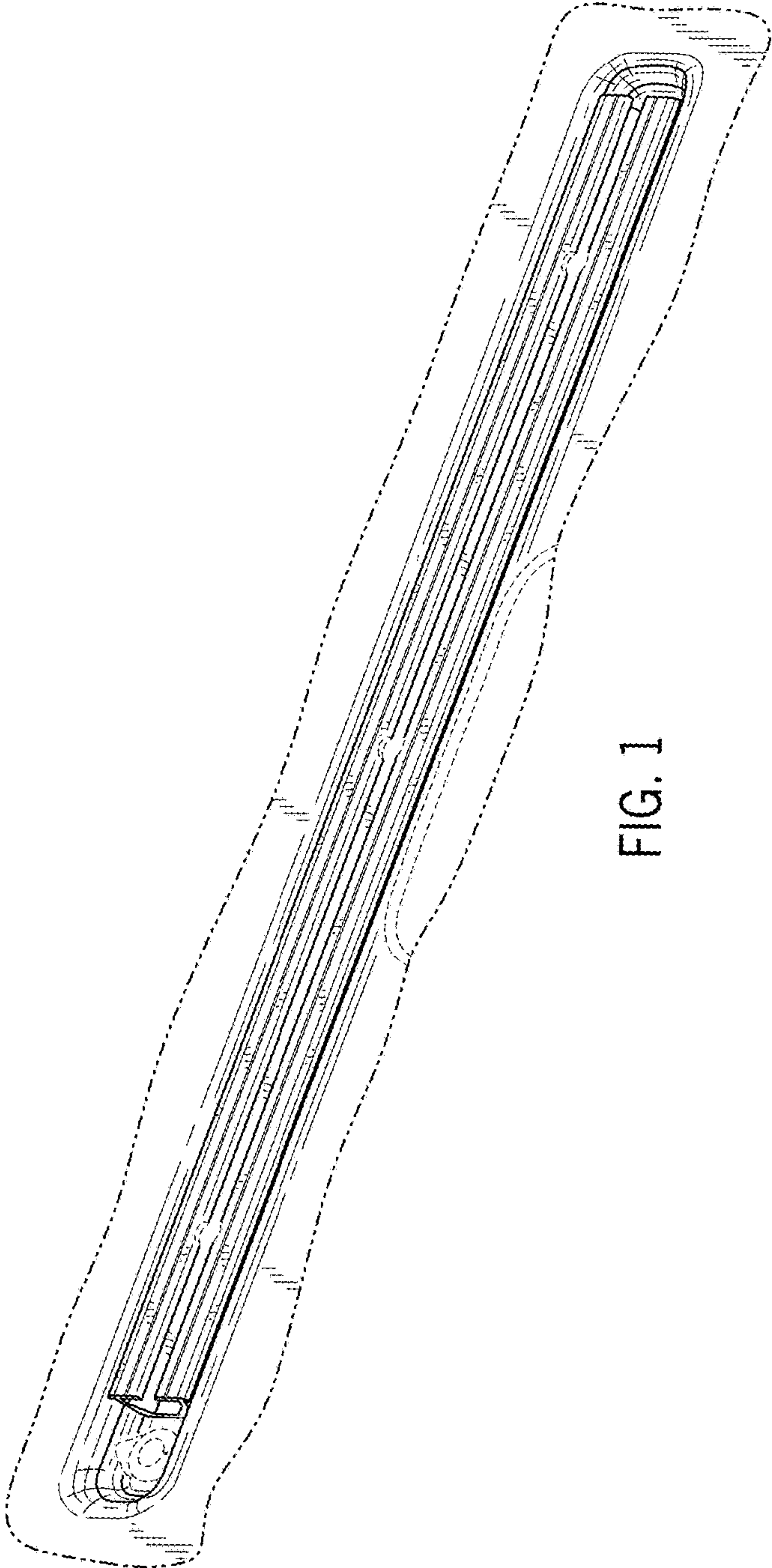


FIG. 1

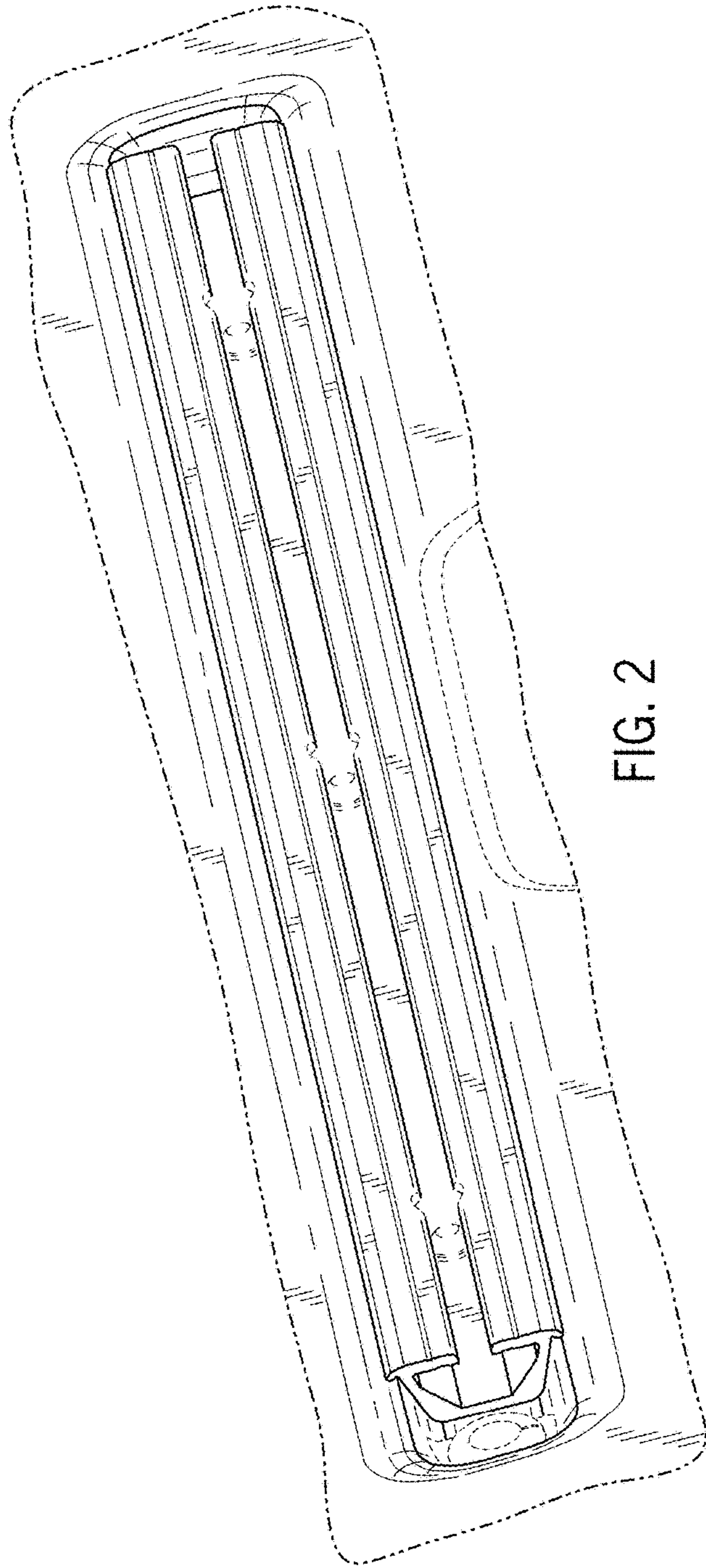


FIG. 2

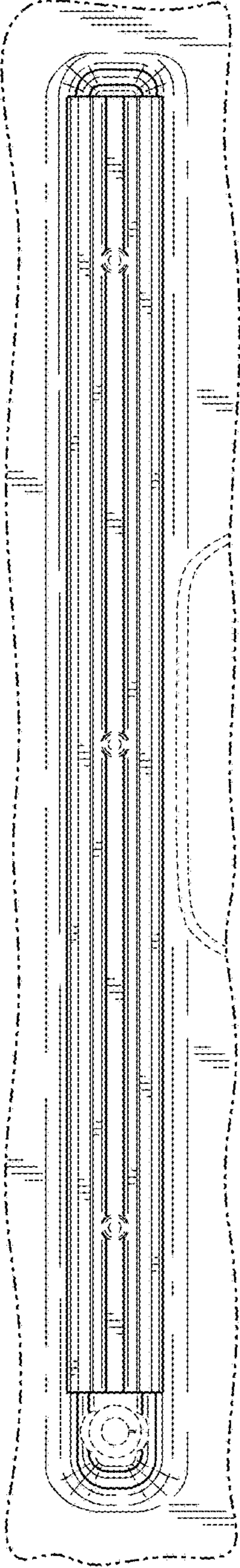


FIG. 3