



US00D848348S

(12) **United States Design Patent**
Long et al.

(10) **Patent No.:** **US D848,348 S**
(45) **Date of Patent:** **** May 14, 2019**

(54) **ATTENDANT MODULE**

(71) Applicant: **The Boeing Company**, Chicago, IL
(US)

(72) Inventors: **Stephen R. Long**, Snohomish, WA
(US); **Roland D. Mair**, Kenmore, WA
(US); **Russell Warren Keck**, Seattle,
WA (US); **Robert Benjamin Lanfear**,
Kingston, WA (US); **Paul Bridgeman**,
Bothell, WA (US)

(73) Assignee: **The Boeing Company**, Chicago, IL
(US)

(**) Term: **15 Years**

(21) Appl. No.: **29/619,618**

(22) Filed: **Sep. 29, 2017**

(51) **LOC (11) Cl.** **12-07**

(52) **U.S. Cl.**
USPC **D12/345; D13/162**

(58) **Field of Classification Search**
USPC **D12/192, 195, 345, 415, 423, 425;**
D10/104.1, 106.95; D13/107, 156, 162,
D13/184; D14/240

(Continued)

(56) **References Cited**

U.S. PATENT DOCUMENTS

4,913,487 A * 4/1990 Breckel A47C 9/06
297/14

5,907,127 A 5/1999 Daoud
(Continued)

OTHER PUBLICATIONS

United States Patent and Trademark Office, "Notice of Allowance and Fee(s) Due," issued in connection with U.S. Appl. No. 29/619,619, issued Oct. 17, 2018, 17 pages.

(Continued)

Primary Examiner — Selina Sikder

(74) *Attorney, Agent, or Firm* — Hanley, Flight & Zimmerman, LLC

(57) **CLAIM**

The ornamental design for an "attendant module," as shown and described in FIGS. 1-20.

DESCRIPTION

FIG. 1 is a front, right perspective view of an example attendant module.

FIG. 2 is a front view of the attendant module of FIG. 1.

FIG. 3 is a rear view of the attendant module of FIG. 1.

FIG. 4 is left side view of the attendant module of FIG. 1.

FIG. 5 is a right side view of the attendant module of FIG. 1.

FIG. 6 is a top view of the attendant module of FIG. 1.

FIG. 7 is a bottom view of the attendant module of FIG. 1.

FIG. 8 is a front, right perspective view of another example attendant module.

FIG. 9 is a front view of the attendant module of FIG. 8.

FIG. 10 is a rear view of the attendant module of FIG. 8.

FIG. 11 is left side view of the attendant module of FIG. 8.

FIG. 12 is a right side view of the attendant module of FIG. 8.

FIG. 13 is a top view of the attendant module of FIG. 8.

FIG. 14 is a bottom view of the attendant module of FIG. 8.

FIG. 15 is a perspective view of the example attendant module of FIGS. 1-7 shown inside a fuselage of an aircraft. FIG. 16 is an enlarged view of the example attendant module of FIG. 15 and an enlarged view of an overhead module of the fuselage of the aircraft positioned adjacent the attendant module.

FIG. 17 is another enlarged view showing portions of the attendant module and the overhead module of FIGS. 15 and 16. FIG. 17 also illustrates a recessed cavity in a ceiling of the fuselage of the aircraft of FIG. 15 positioned adjacent an upper end of the attendant module.

FIG. 18 is another view of the upper portion of the attendant module and the recessed ceiling portion of FIG. 17.

FIG. 19 is a front, partial perspective view of the attendant module and an attendant seat of the fuselage of FIG. 15; and,

(Continued)

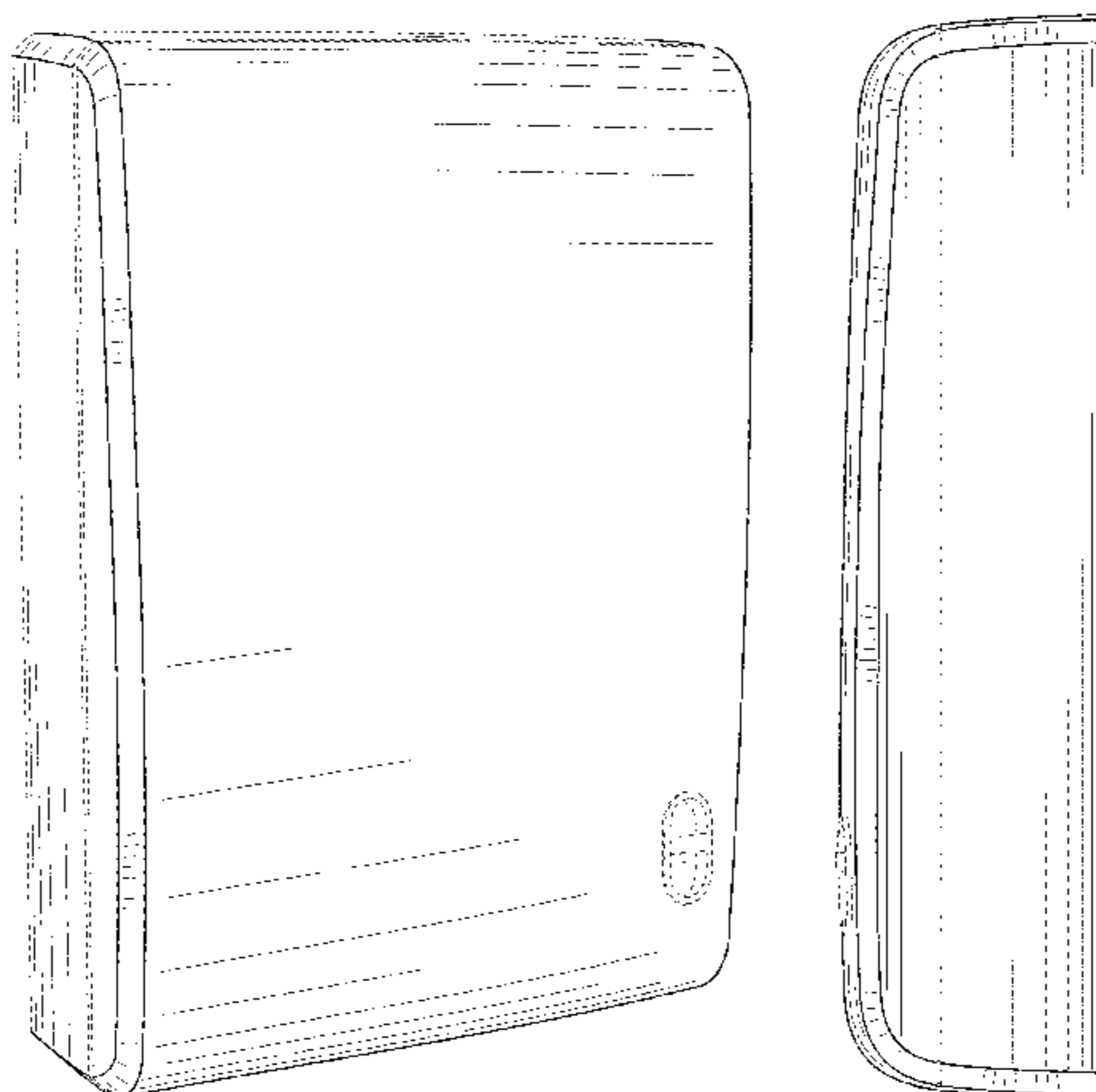


FIG. 20 is a side view of the attendant module and the attendant seat of FIG. 19.

The features shown in broken lines form no part of the claimed design. The lighter solid lines denote surfaces and/or contours.

1 Claim, 16 Drawing Sheets

(58) **Field of Classification Search**

CPC B64D 11/00; B64D 11/04; B64D 11/06;
B64D 11/0629; B64D 11/0691; B64D
2011/0092; B64C 1/14; H05K 5/0221

See application file for complete search history.

(56) **References Cited**

U.S. PATENT DOCUMENTS

D438,532 S * 3/2001 Gargani D14/240
D604,254 S 11/2009 Lanfear et al.
D610,554 S 2/2010 Lanfear et al.
D611,005 S * 3/2010 Lanfear D13/162
D611,006 S * 3/2010 Lanfear D13/162
D615,045 S 5/2010 Lanfear et al.

D624,915 S * 10/2010 Ferreira Sanchez D14/385
D631,446 S * 1/2011 Lanfear D13/162
D634,698 S * 3/2011 Saint-Jalmes D12/345
D654,496 S * 2/2012 Chen D14/314
D669,440 S * 10/2012 Wu D13/162
D709,854 S * 7/2014 Pan D14/159
8,820,862 B1 * 9/2014 Erickson B64D 11/0691
312/257.1
D719,862 S * 12/2014 Fiedler D10/106.95
D736,716 S * 8/2015 Hough D13/107
9,321,533 B2 * 4/2016 Cuddy B64C 1/1407
D774,003 S * 12/2016 Lee D13/156
9,580,176 B2 * 2/2017 Ehlers B64D 11/00
D784,905 S * 4/2017 Savian D12/345
D813,212 S 3/2018 Nangeroni et al.
D826,223 S 8/2018 Cho et al.
D827,453 S 9/2018 Davoli
D830,969 S * 10/2018 Wang D13/107
D834,499 S * 11/2018 Nixon D12/415
2018/0048132 A1 * 2/2018 Dinh H05K 5/0226

OTHER PUBLICATIONS

United States Patent and Trademark Office, "Non-Final Office Action," issued in connection with U.S. Appl. No. 29/619,622, dated Dec. 6, 2018, 14 pages.

* cited by examiner

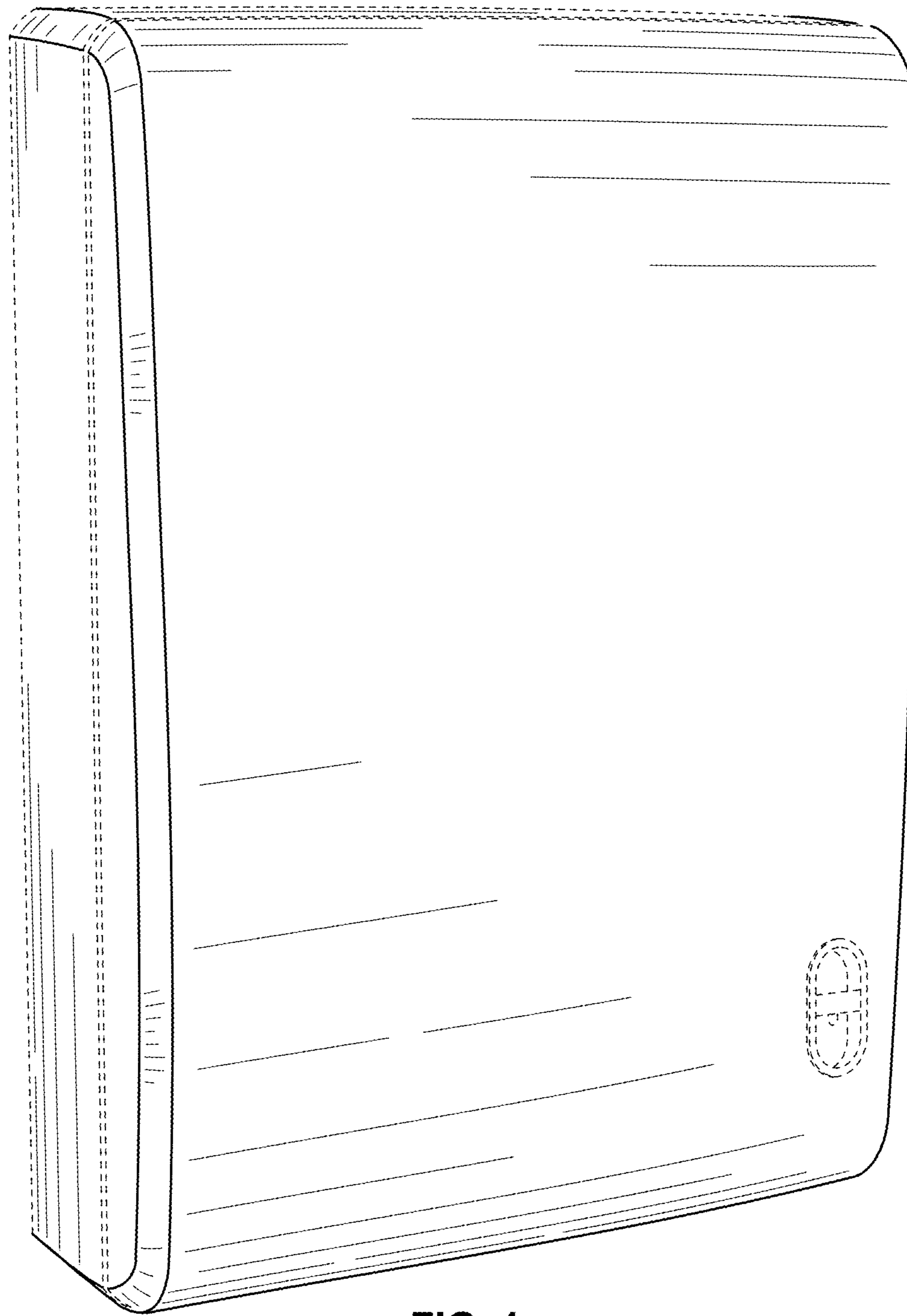


FIG. 1

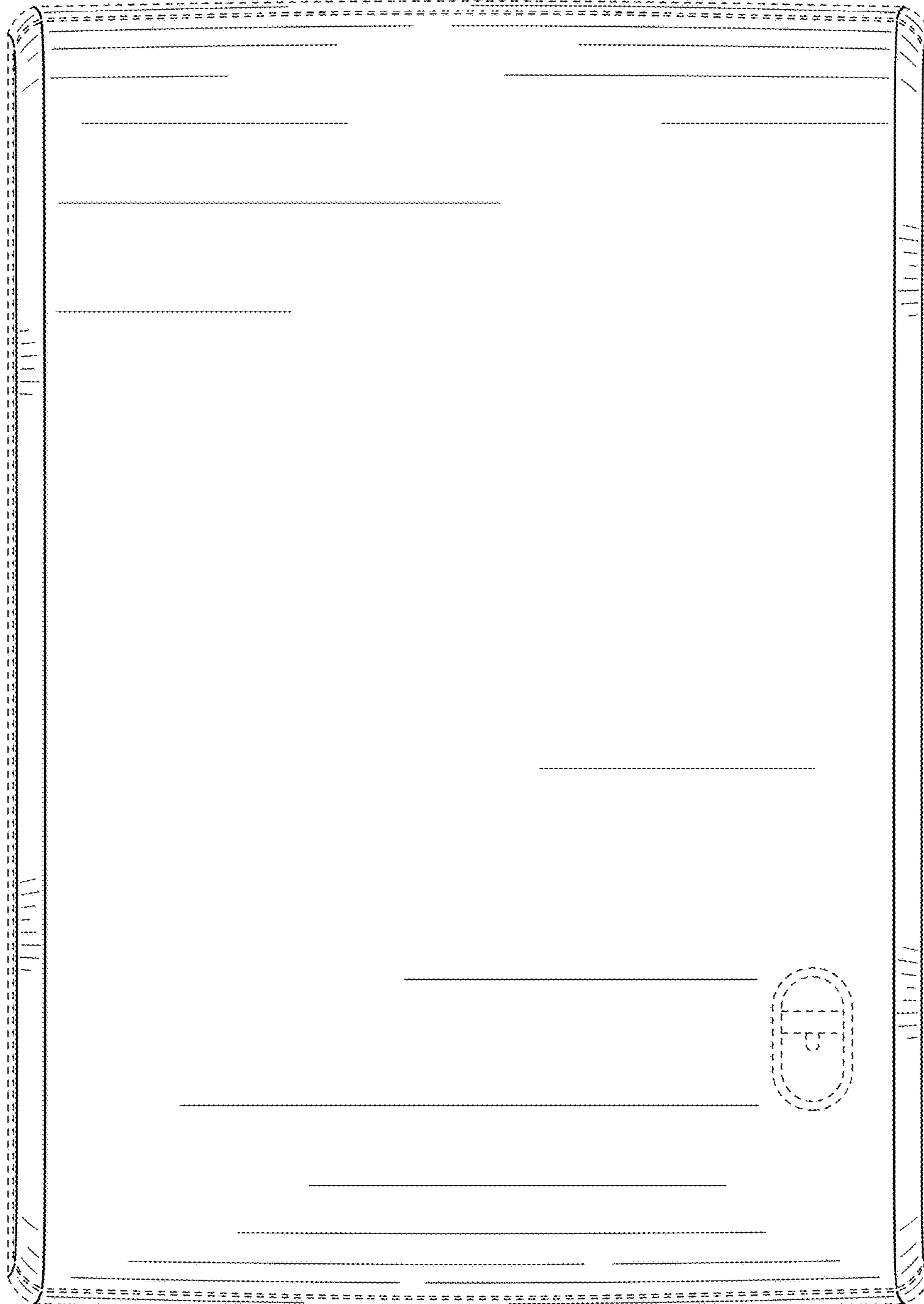


FIG. 2



FIG. 3

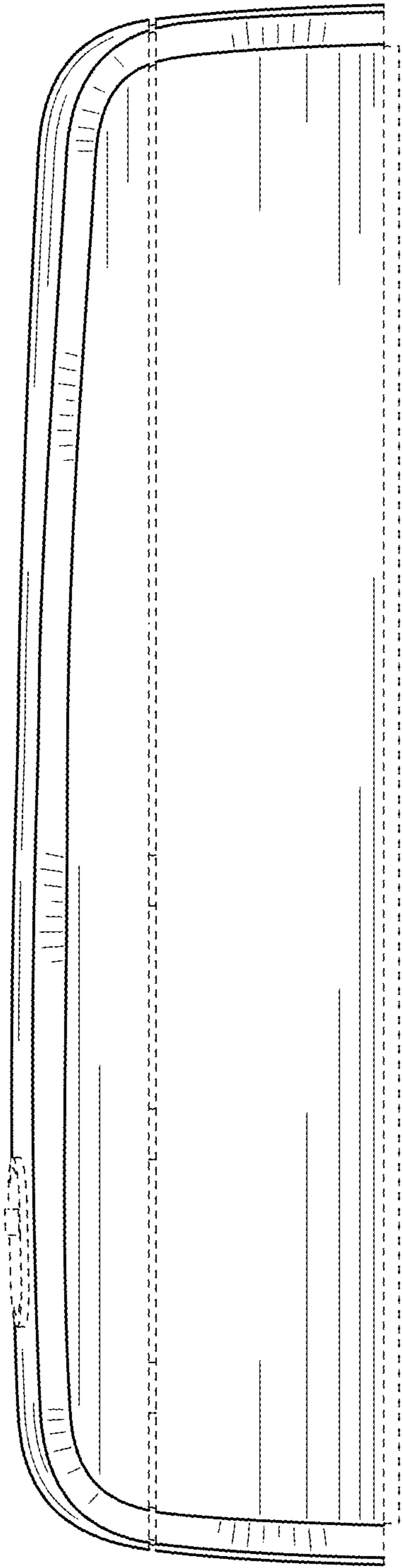


FIG. 4

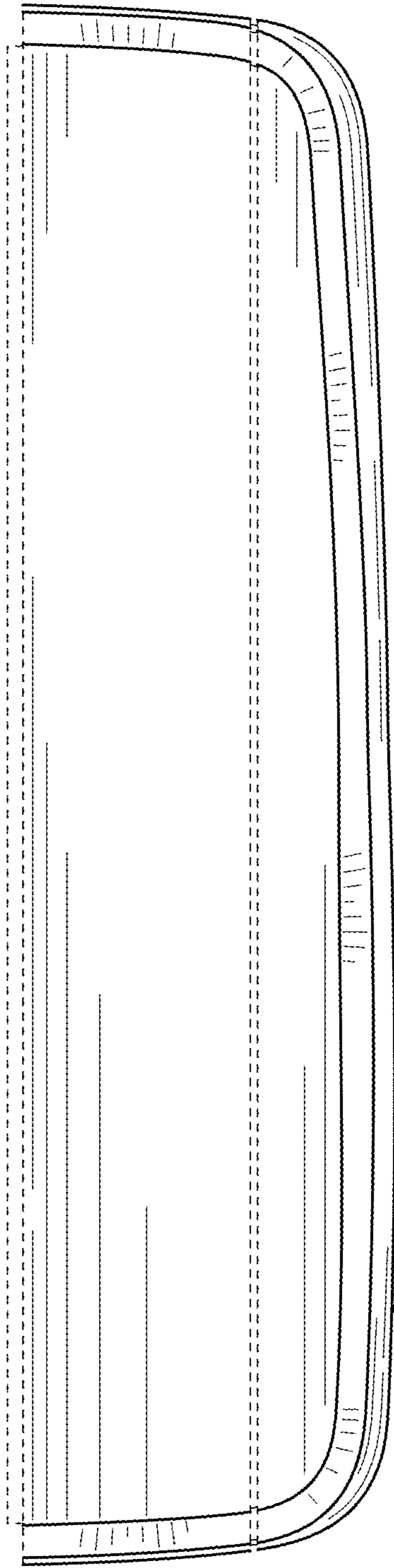


FIG. 5

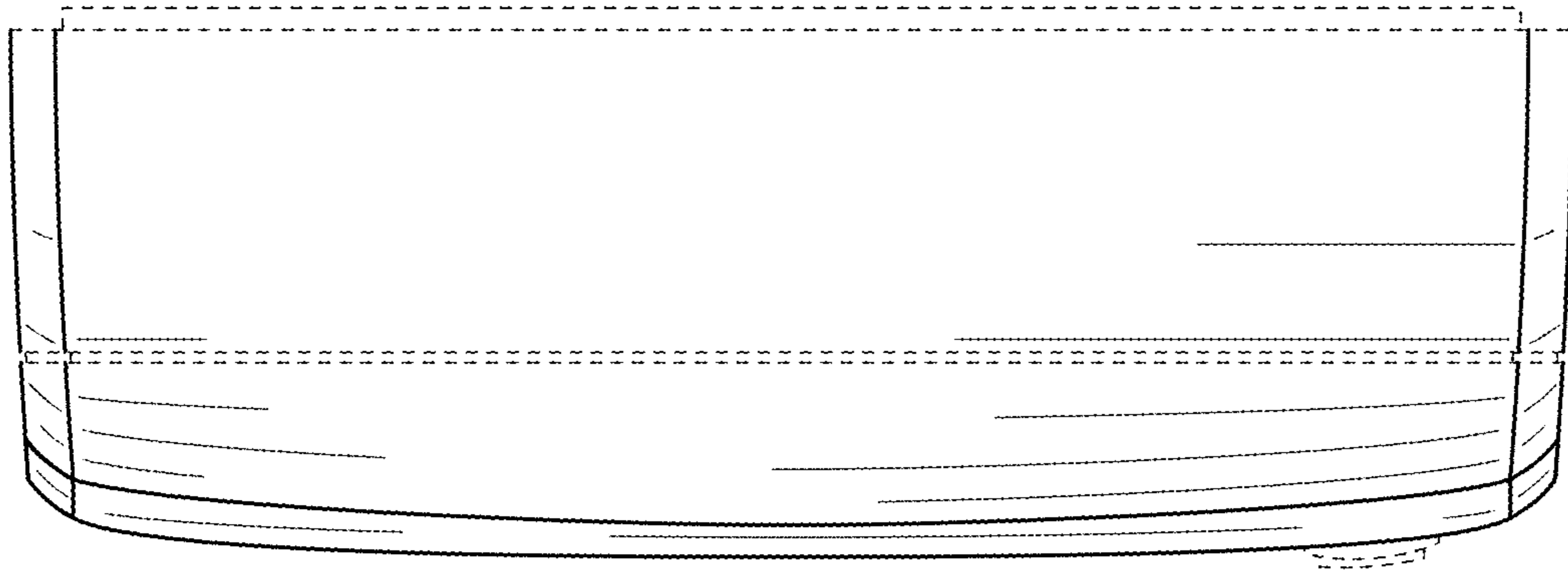


FIG. 6

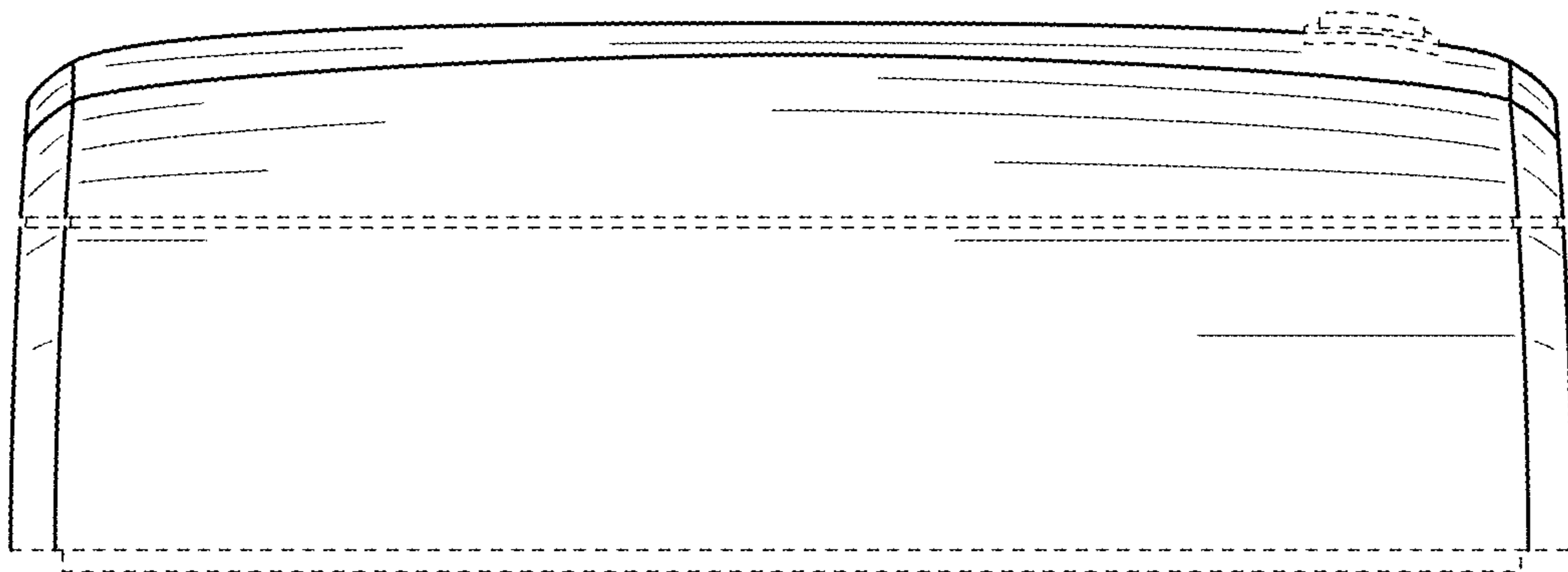


FIG. 7

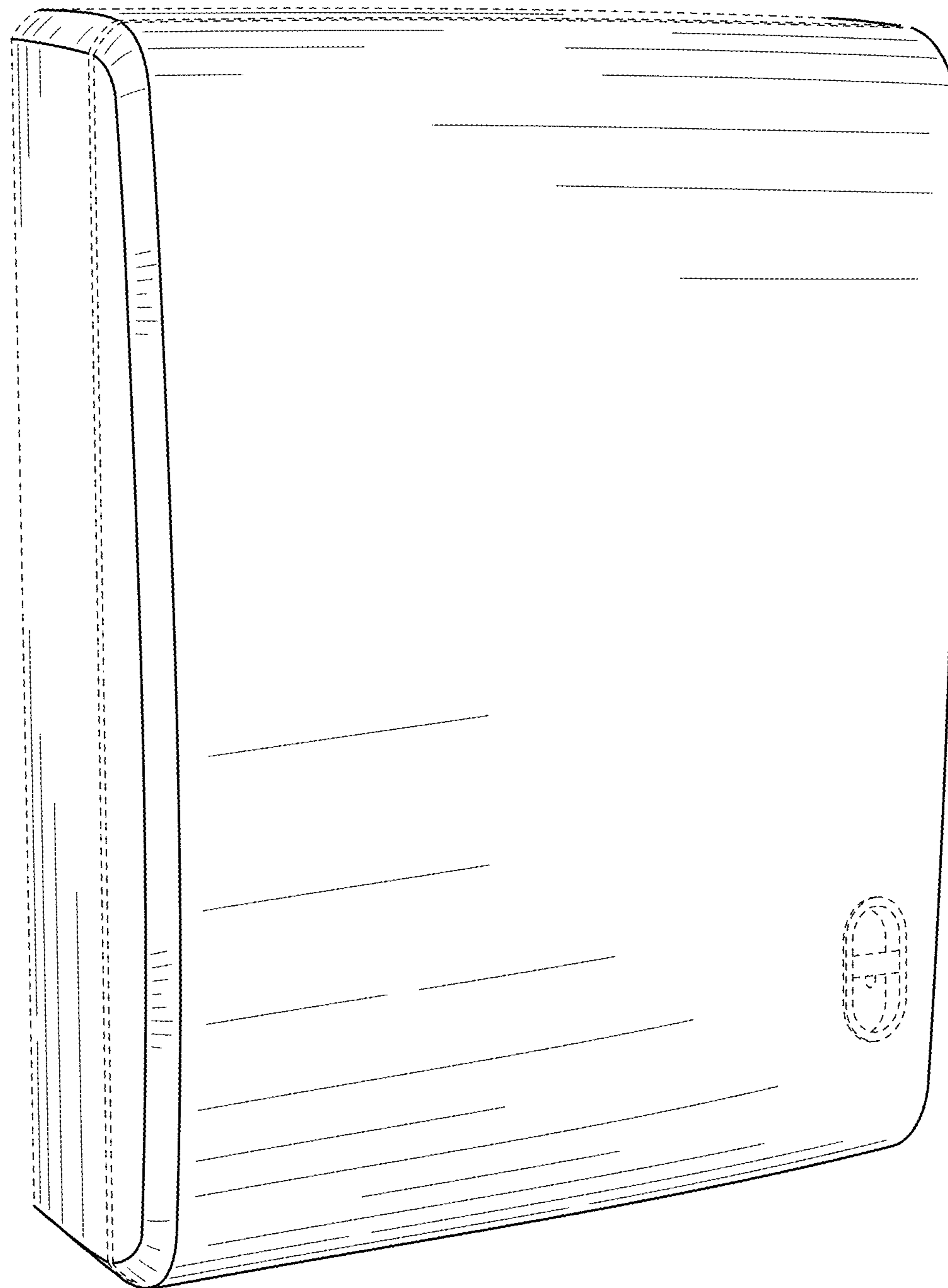


FIG. 8

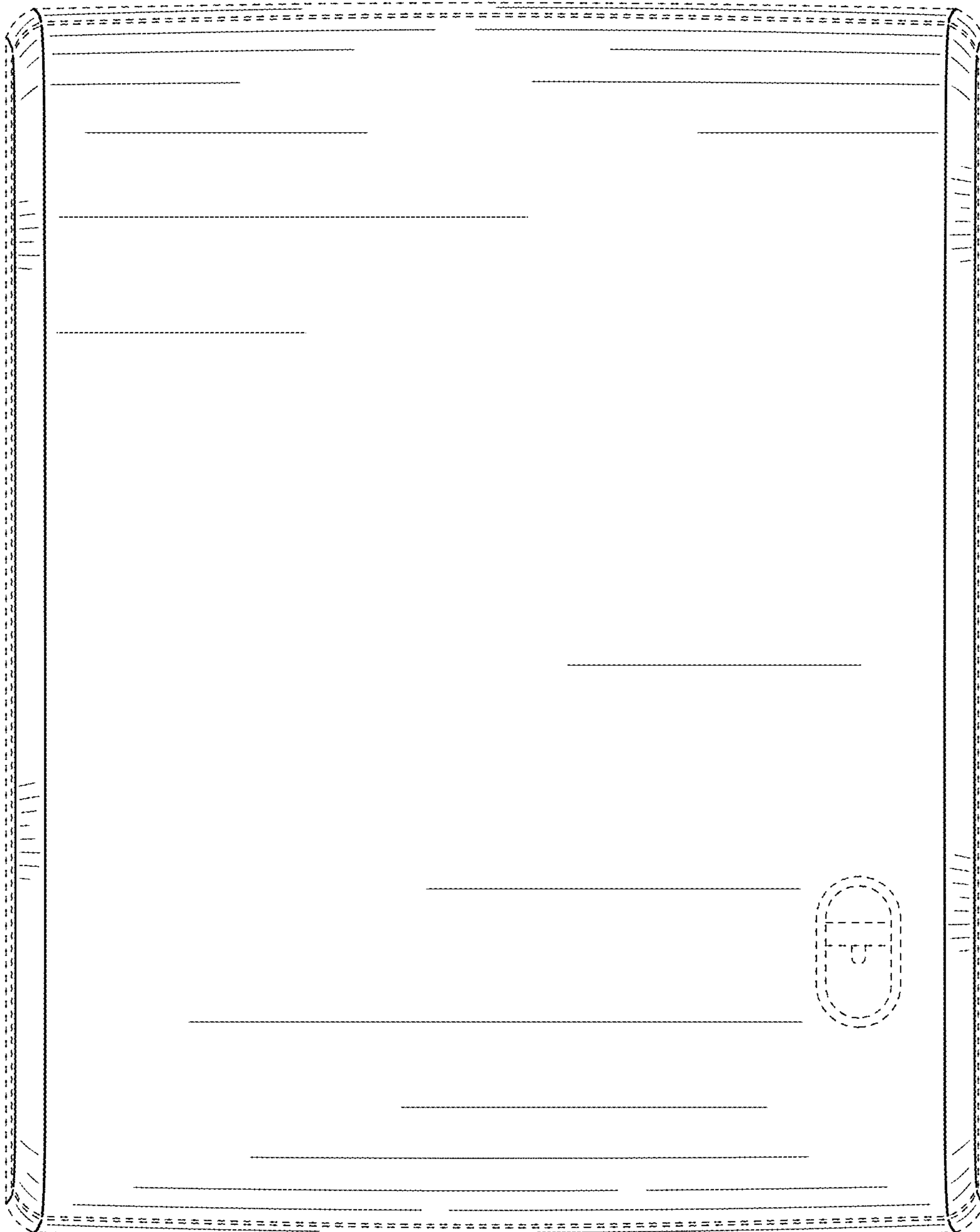


FIG. 9

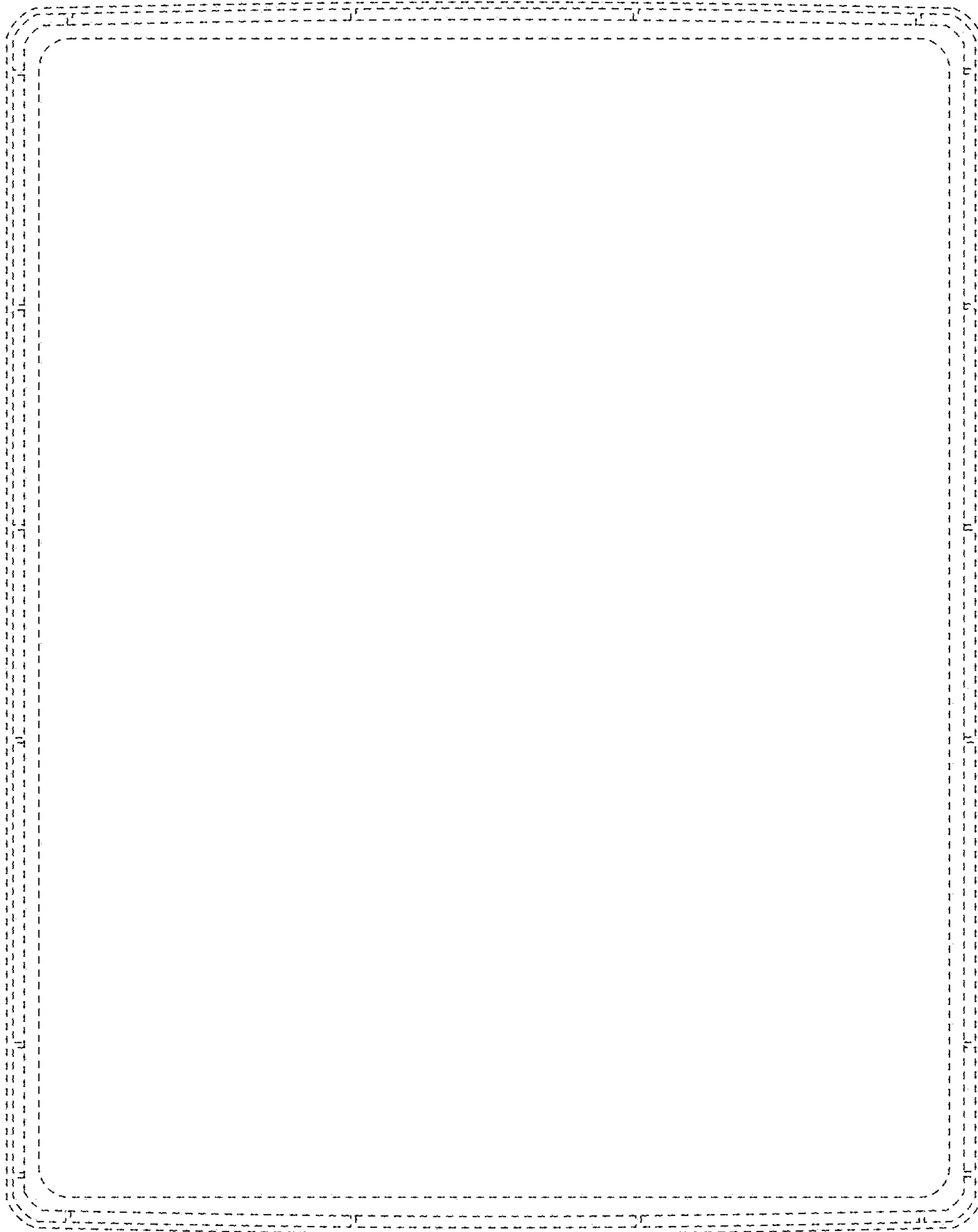


FIG.10

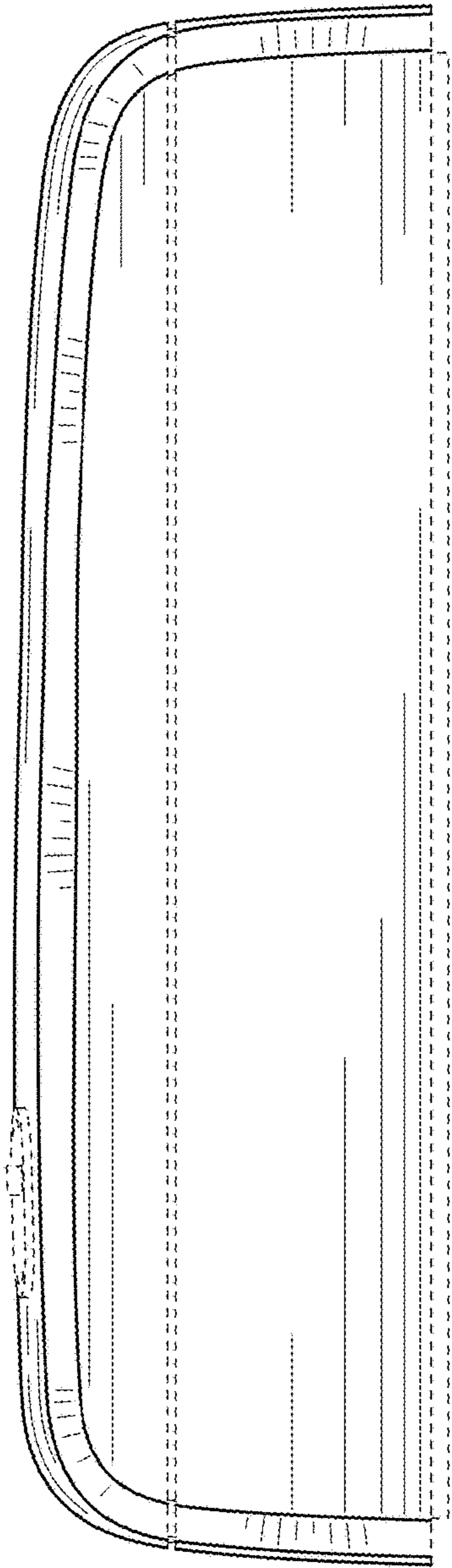


FIG. 11

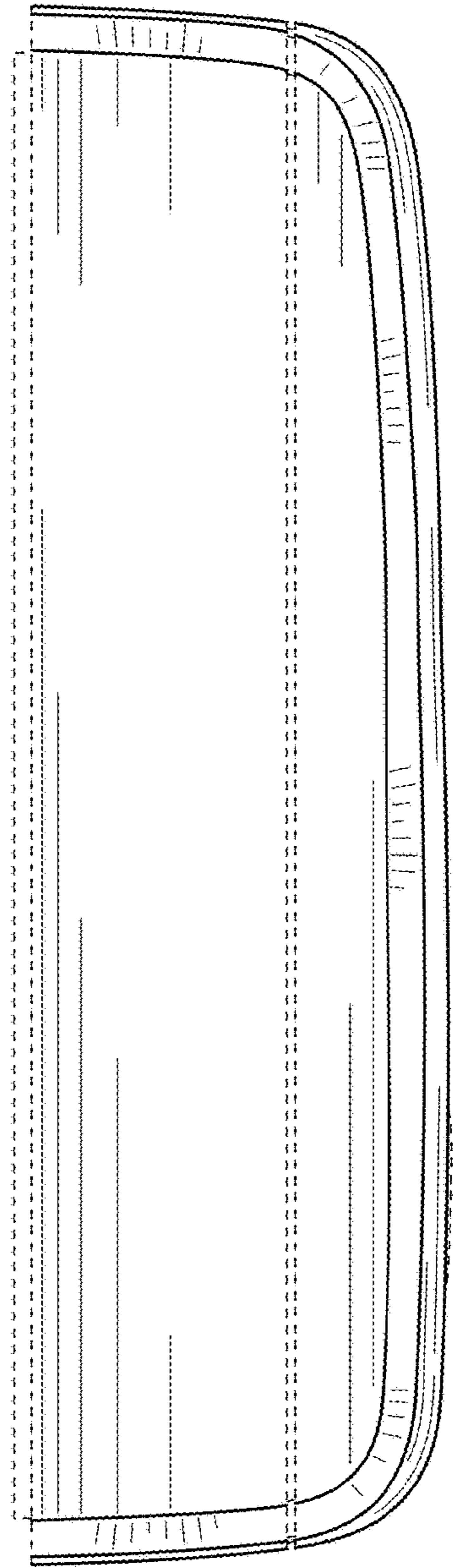


FIG. 12

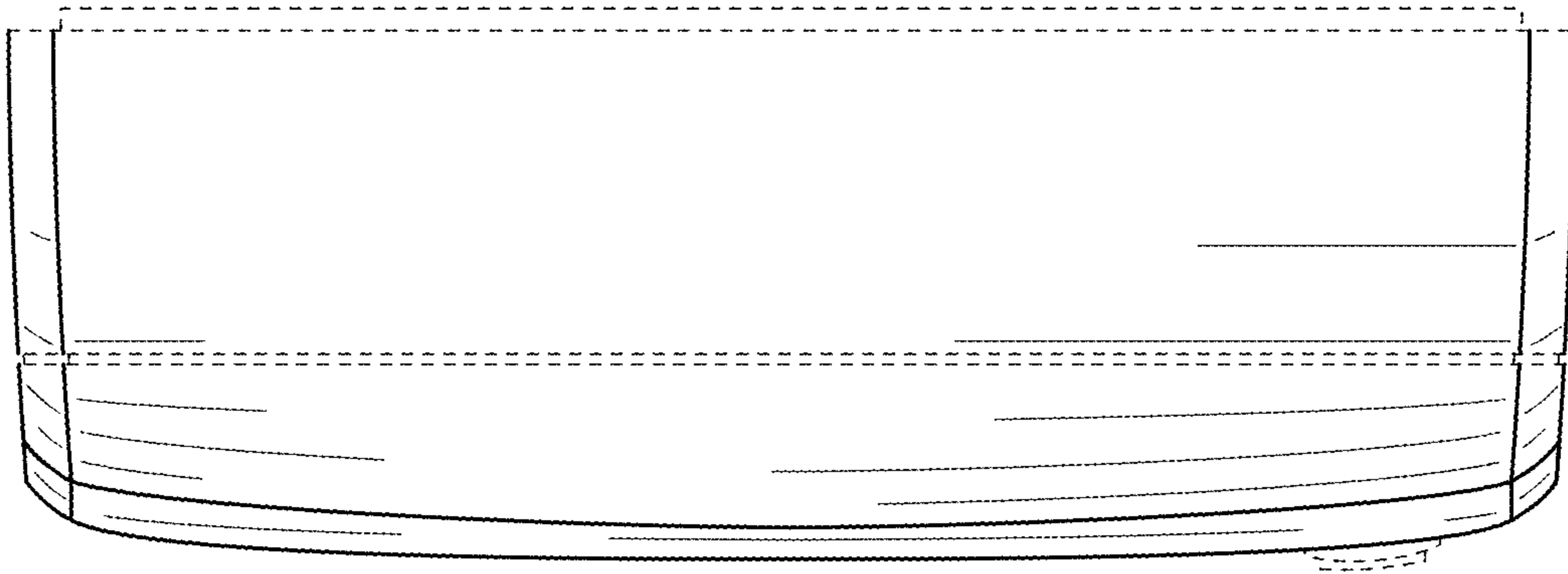


FIG. 13

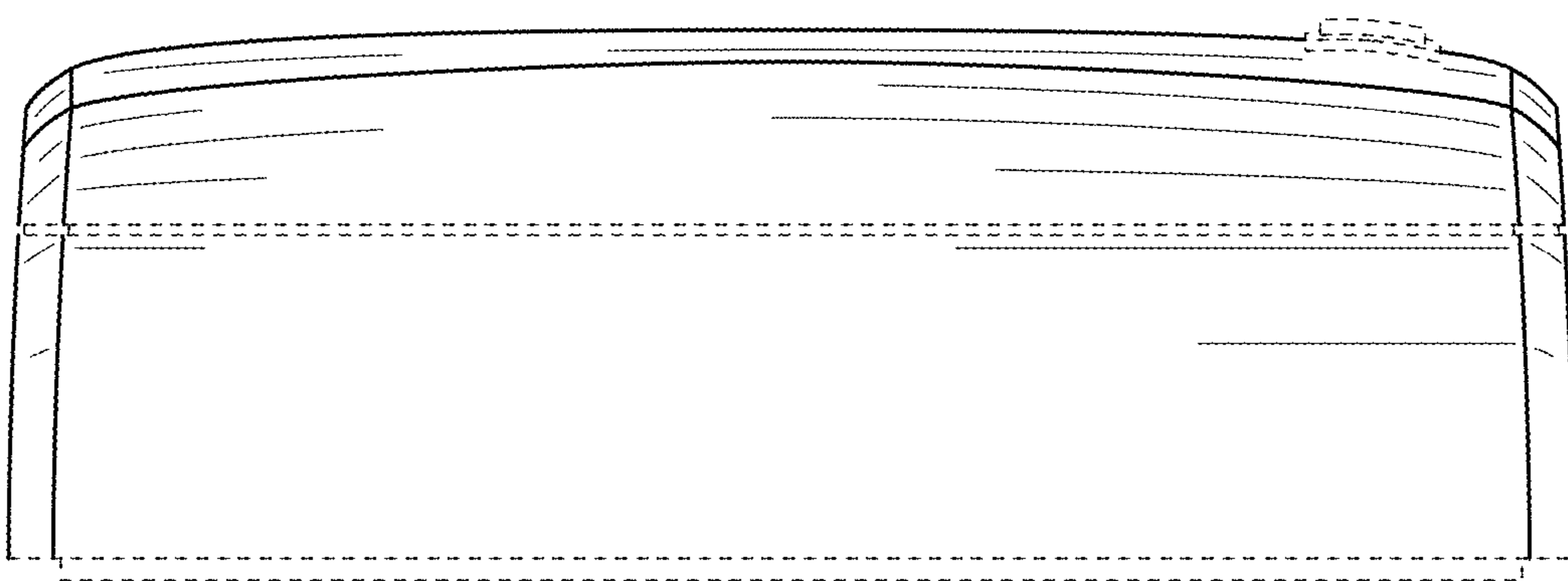


FIG. 14

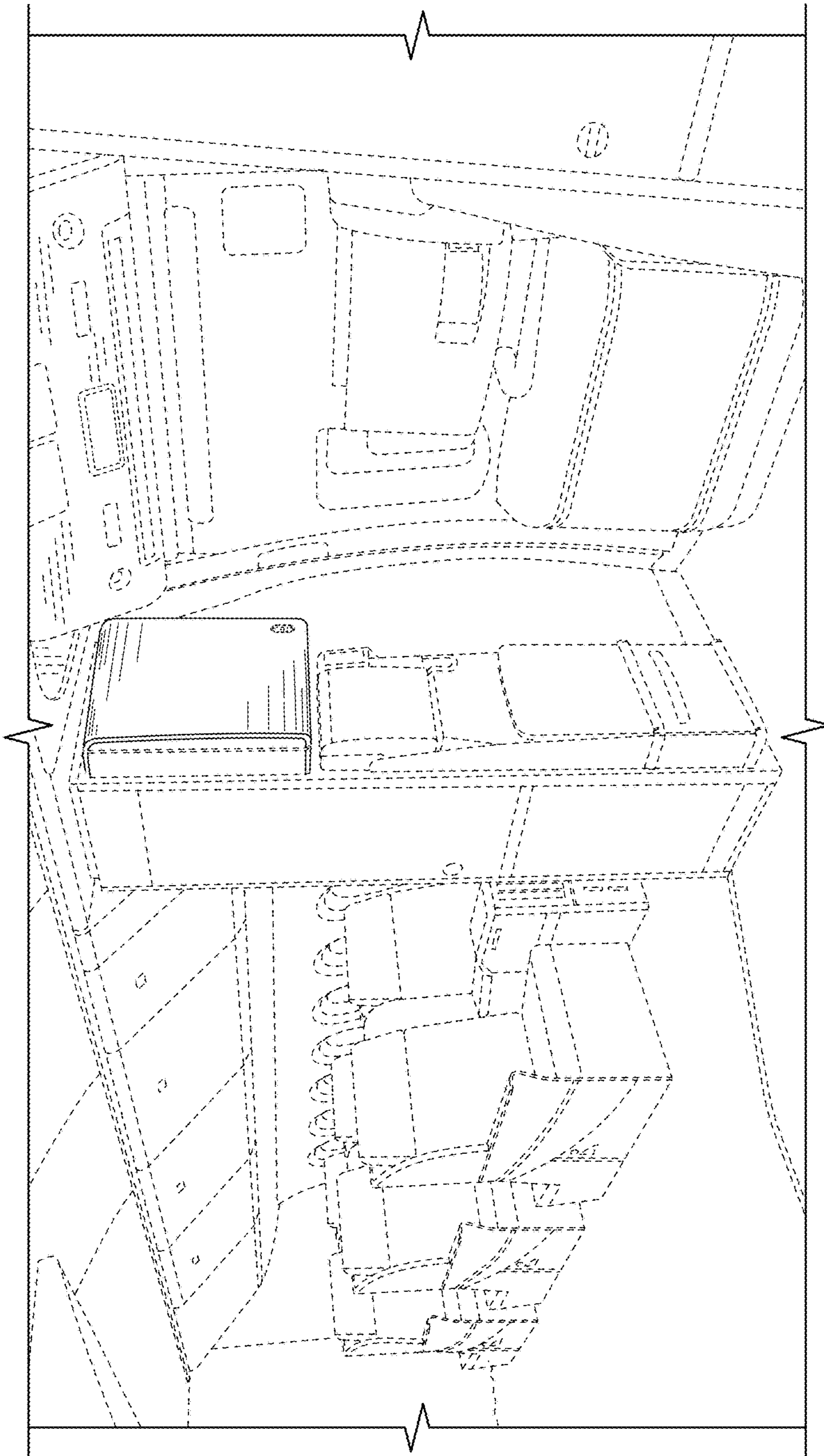


FIG. 15

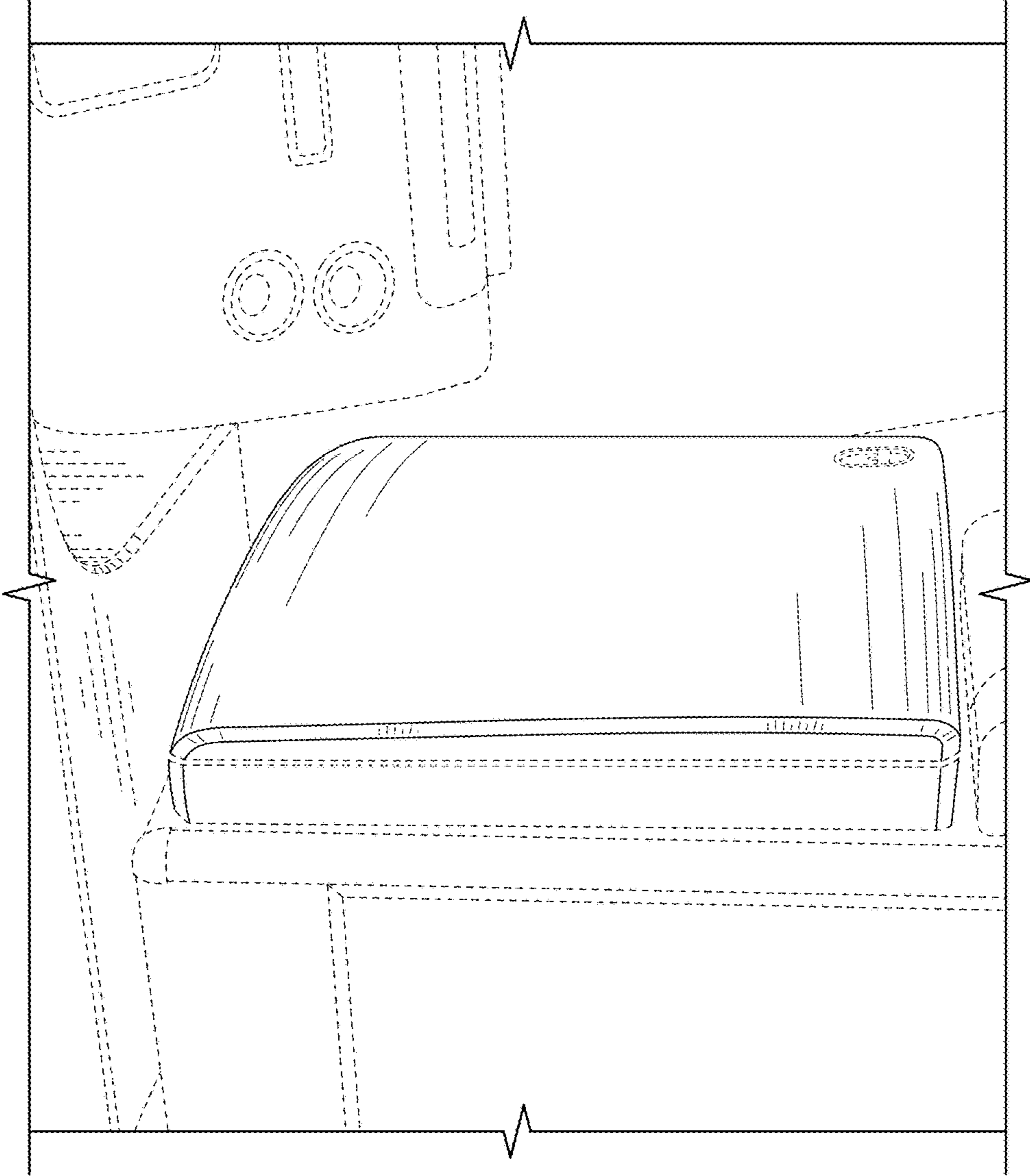


FIG. 16

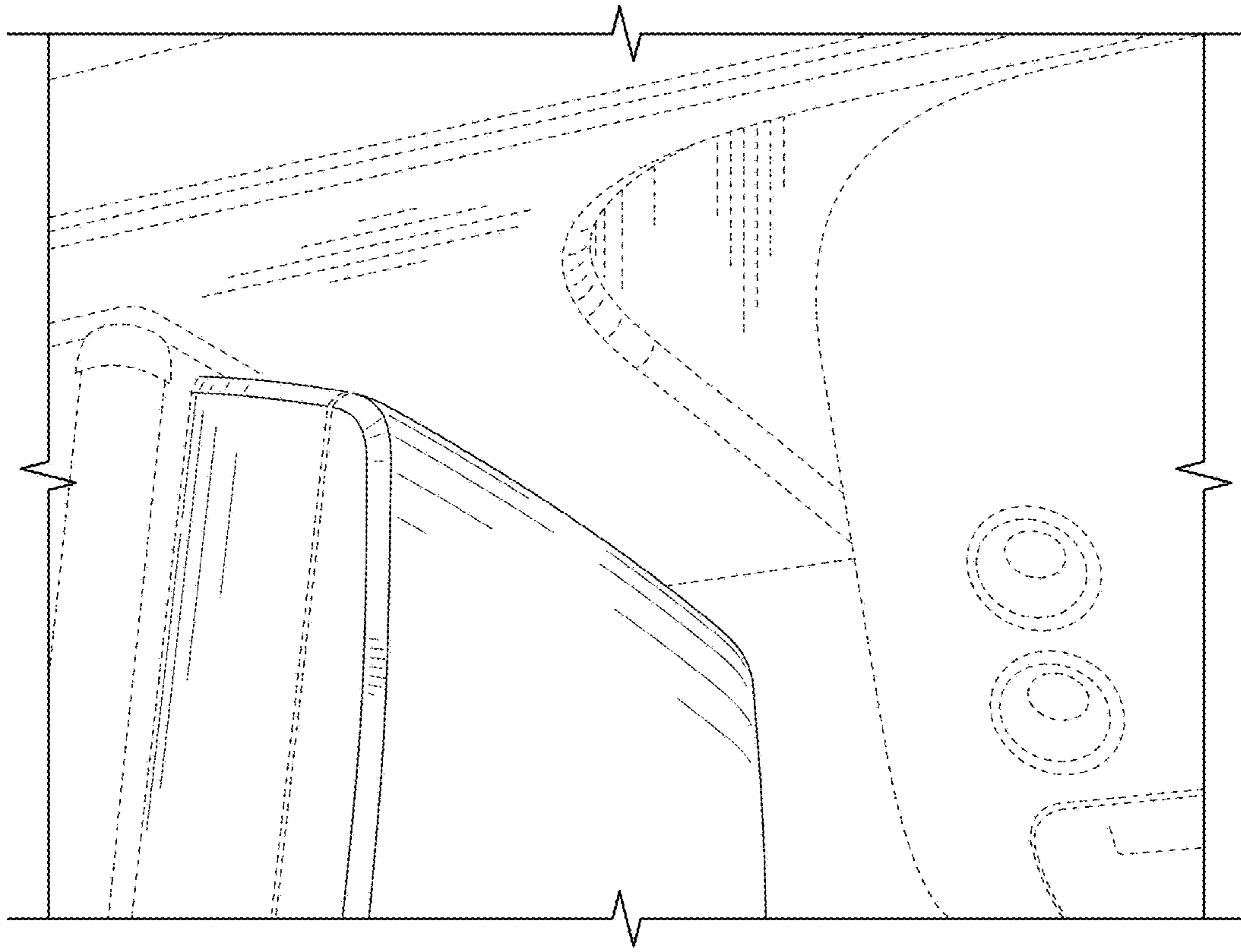


FIG. 17

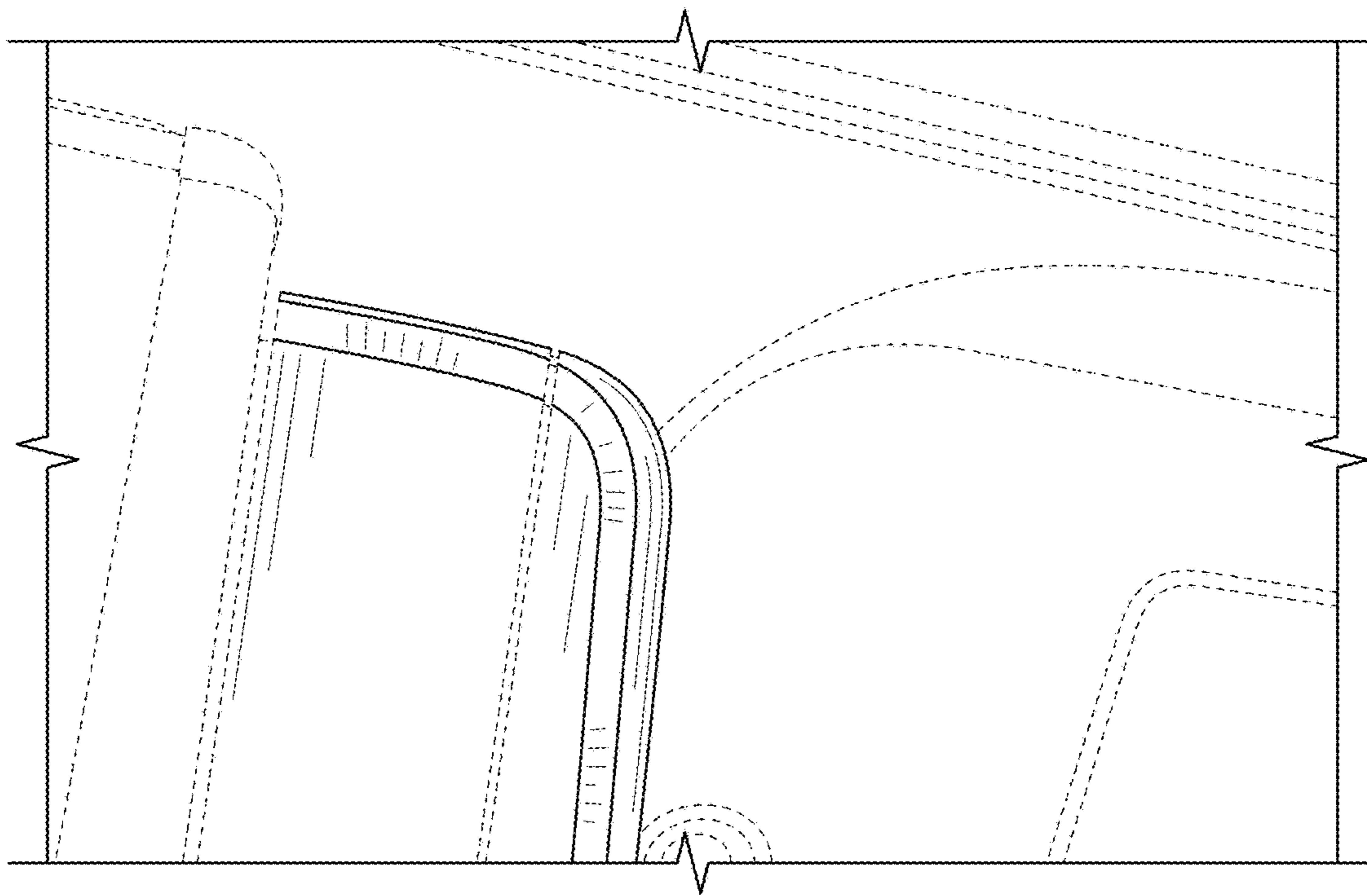


FIG. 18

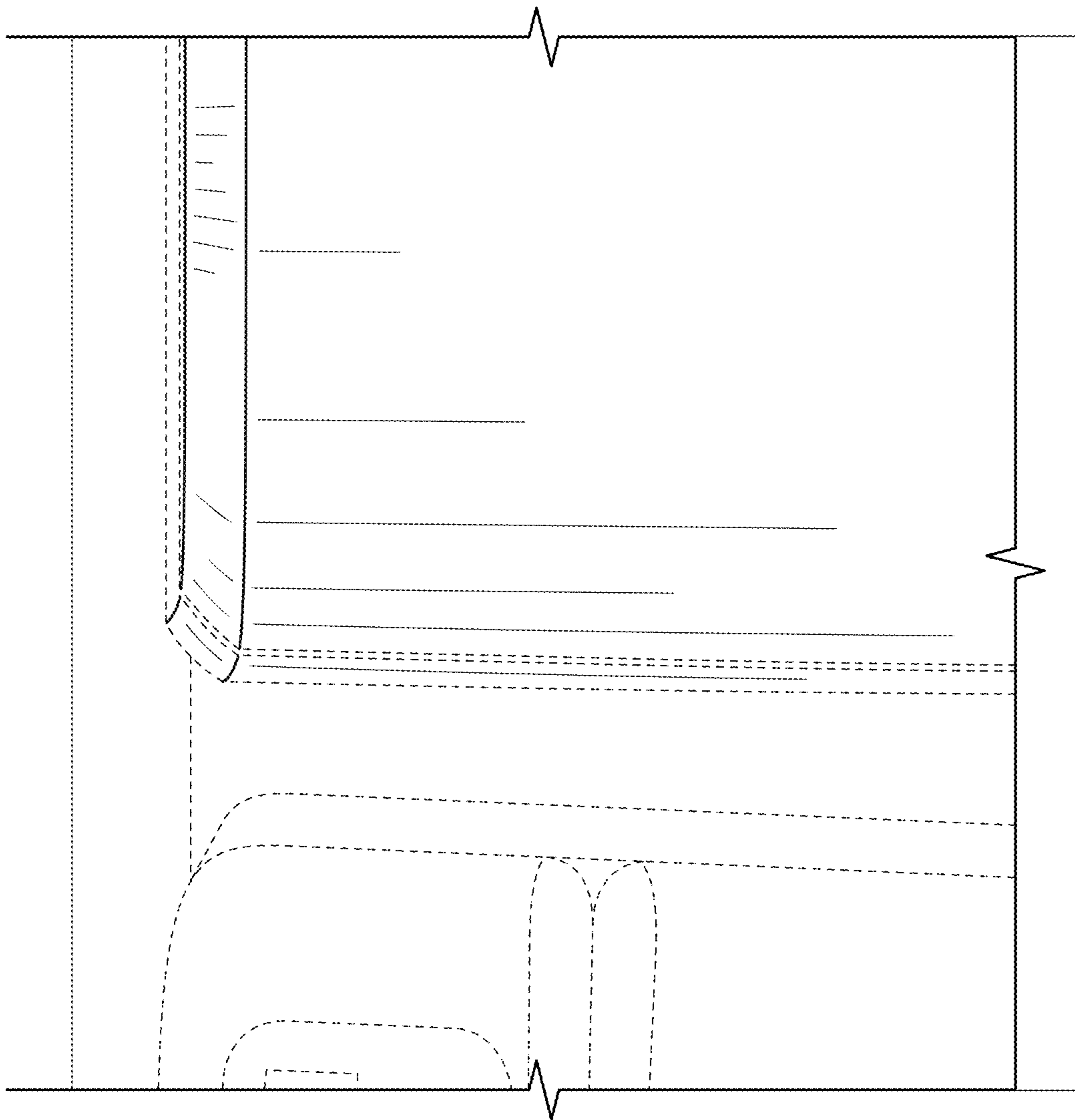


FIG. 19

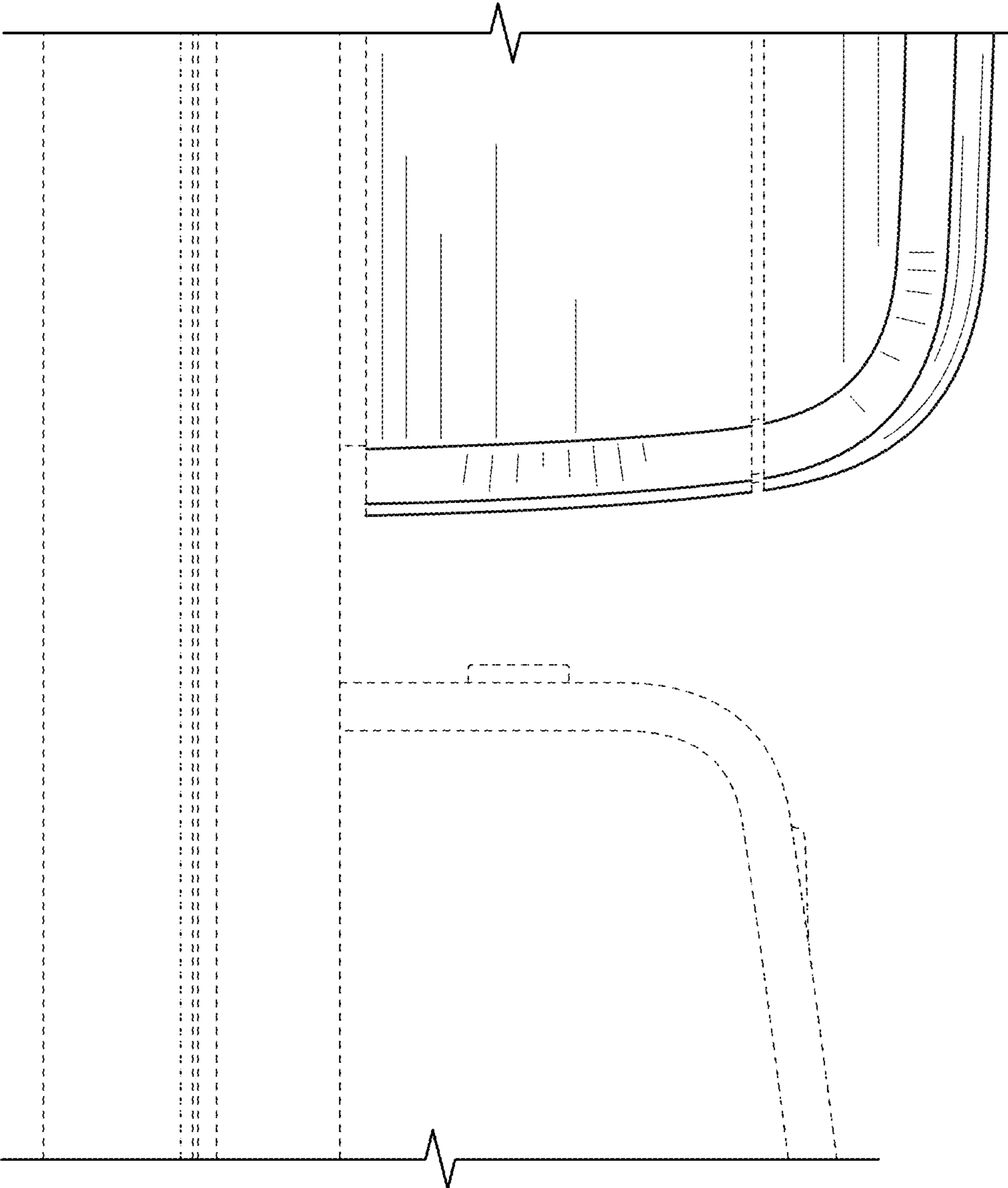


FIG. 20