



US00D848343S

(12) **United States Design Patent**
Chan

(10) **Patent No.:** **US D848,343 S**

(45) **Date of Patent:** **** May 14, 2019**

(54) **WHEEL**

(71) Applicant: **Jaguar Land Rover Limited**, Whitley,
Coventry (GB)

(72) Inventor: **Alex Chan**, Coventry (GB)

(73) Assignee: **Jaguar Land Rover Limited**, Whitley,
Coventry (GB)

(**) Term: **15 Years**

(21) Appl. No.: **29/629,426**

(22) Filed: **Dec. 13, 2017**

(51) **LOC (11) Cl.** **12-16**

(52) **U.S. Cl.**
USPC **D12/209**

(58) **Field of Classification Search**
USPC D12/204–213
CPC B60B 7/00; B60B 7/02; B60B 7/04; B60B
7/01; B60B 7/06; B60B 3/04; B60B 1/00;
B60B 3/10; B60B 1/10; B60B 1/08;
B60B 3/06; B60B 1/12; B60B 3/02
See application file for complete search history.

(56) **References Cited**

U.S. PATENT DOCUMENTS

D576,536 S	*	9/2008	Aroney	D12/209
D626,905 S	*	11/2010	Camacho	D12/209
D671,877 S	*	12/2012	Roura	D12/209
D684,516 S	*	6/2013	Bennion	D12/209
D700,565 S	*	3/2014	Gonzalez	D12/209

D740,197 S	*	10/2015	Valencia Pollex	D12/209
D755,694 S	*	5/2016	Valencia Pollex	D12/209
D769,164 S	*	10/2016	Valencia Pollex	D12/209
D790,423 S	*	6/2017	Valencia Pollex	D12/209
D796,408 S	*	9/2017	Valencia Pollex	D12/209
D825,432 S	*	8/2018	Trim	D12/211

* cited by examiner

Primary Examiner — Stacia A Cadmus

(74) *Attorney, Agent, or Firm* — Wood Herron & Evans
LLP

(57) **CLAIM**

The ornamental design for a wheel, as shown and described.

DESCRIPTION

FIG. 1 is a front left perspective view of a wheel for a vehicle according to the present invention.

FIG. 2 is a front view of the wheel shown in FIG. 1.

FIG. 3 is a left side view thereof, the right side being a mirror image thereof.

FIG. 4 is a front left perspective view of a wheel for a vehicle according to an alternative embodiment of the present invention.

FIG. 5 is a front right perspective view of the wheel shown in FIG. 4.

FIG. 6 is a front view thereof.

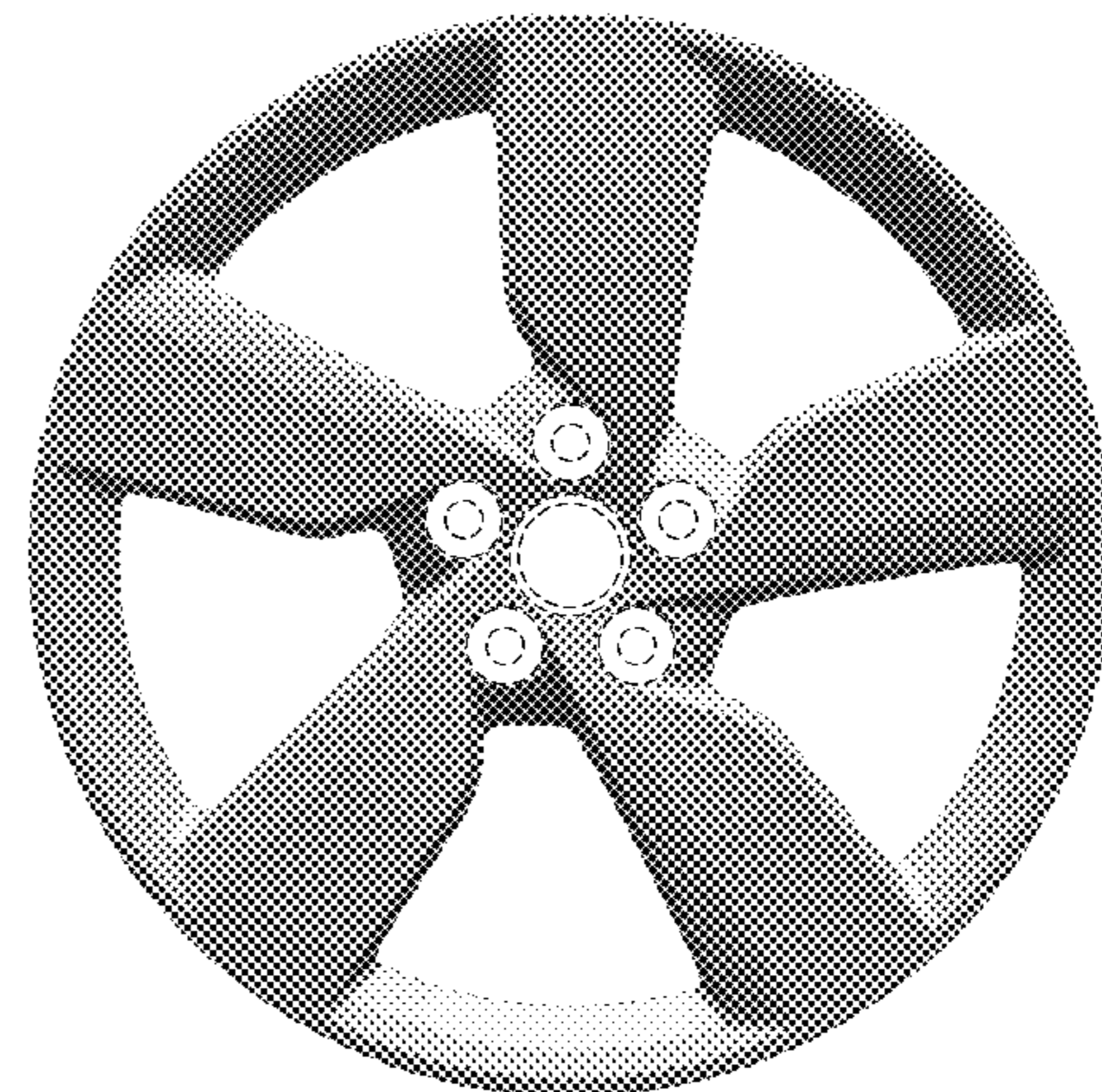
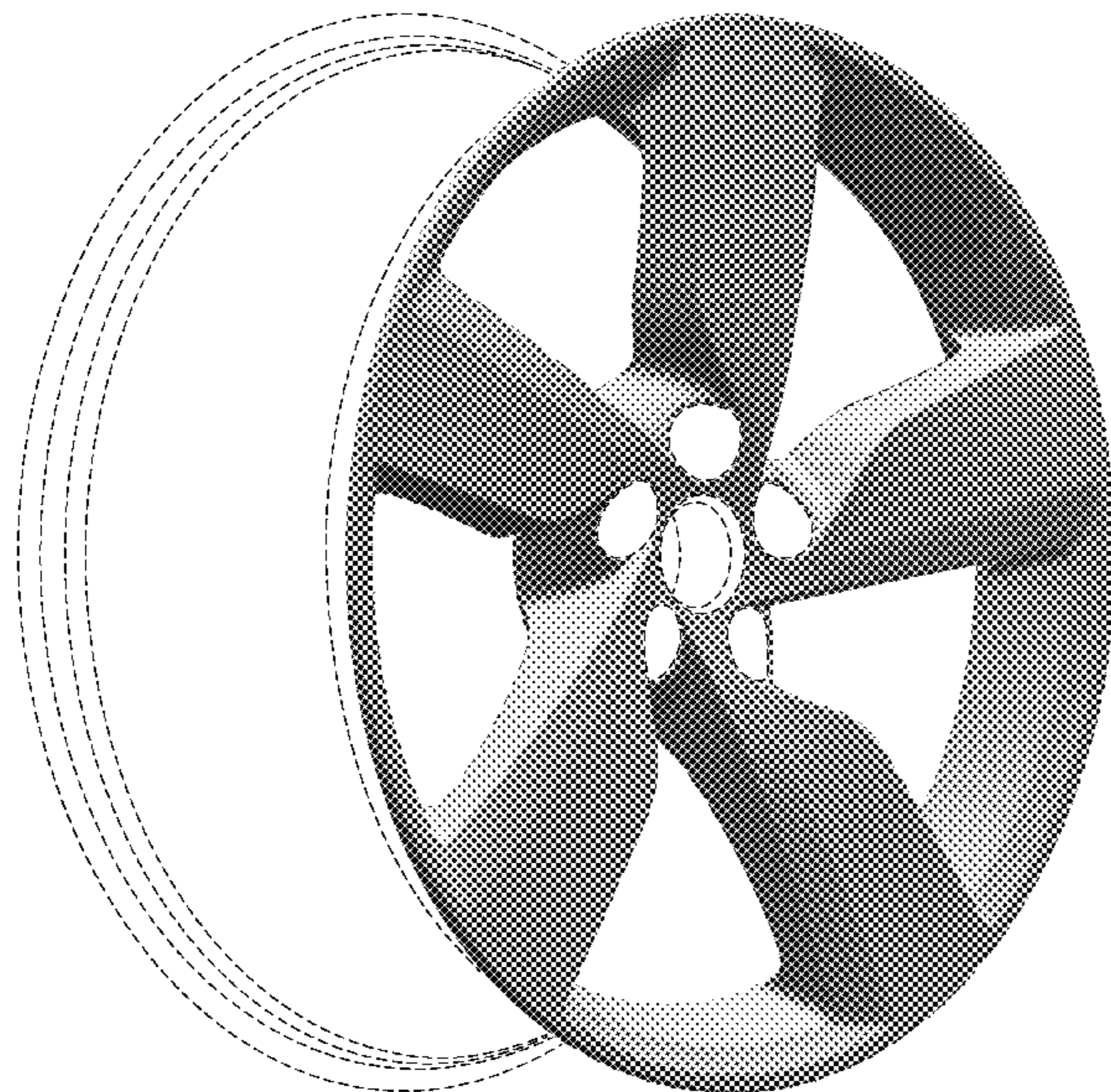
FIG. 7 is a left side view thereof, the right side being a mirror image thereof.

FIG. 8 is a rear view thereof.

FIG. 9 is a rear right perspective view thereof; and,

FIG. 10 is a rear left perspective view thereof.

1 Claim, 7 Drawing Sheets



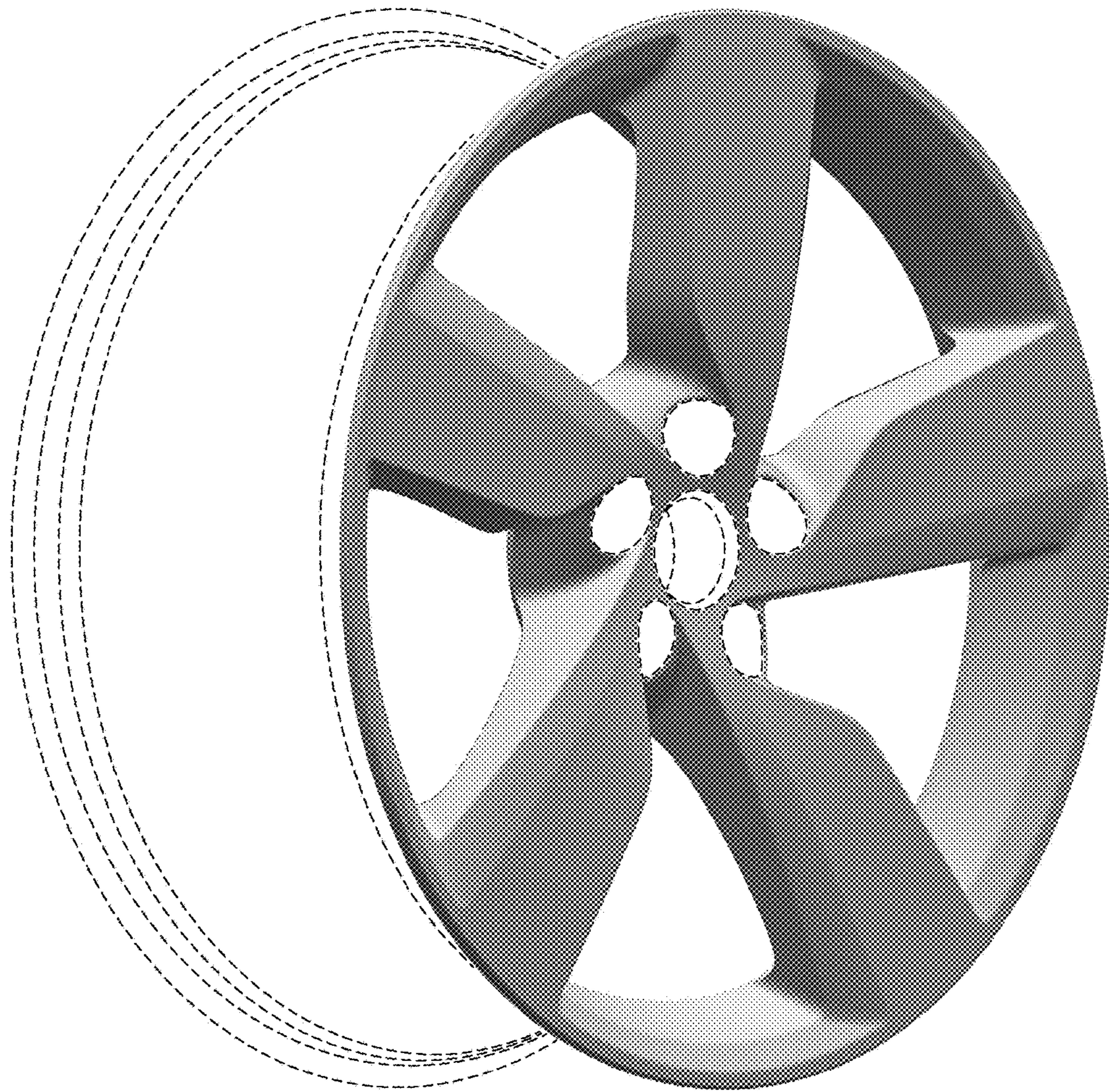


FIG. 1

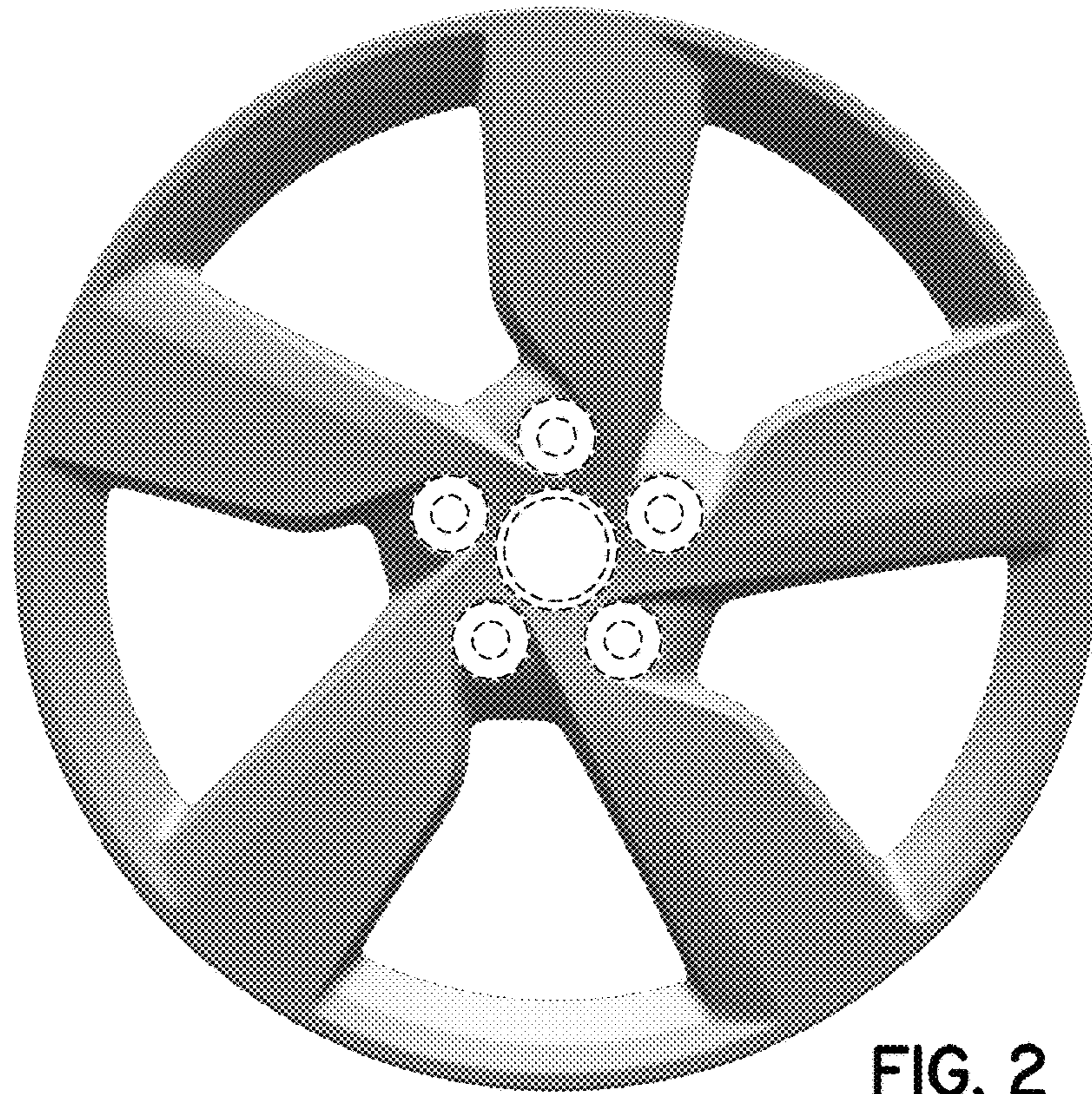


FIG. 2

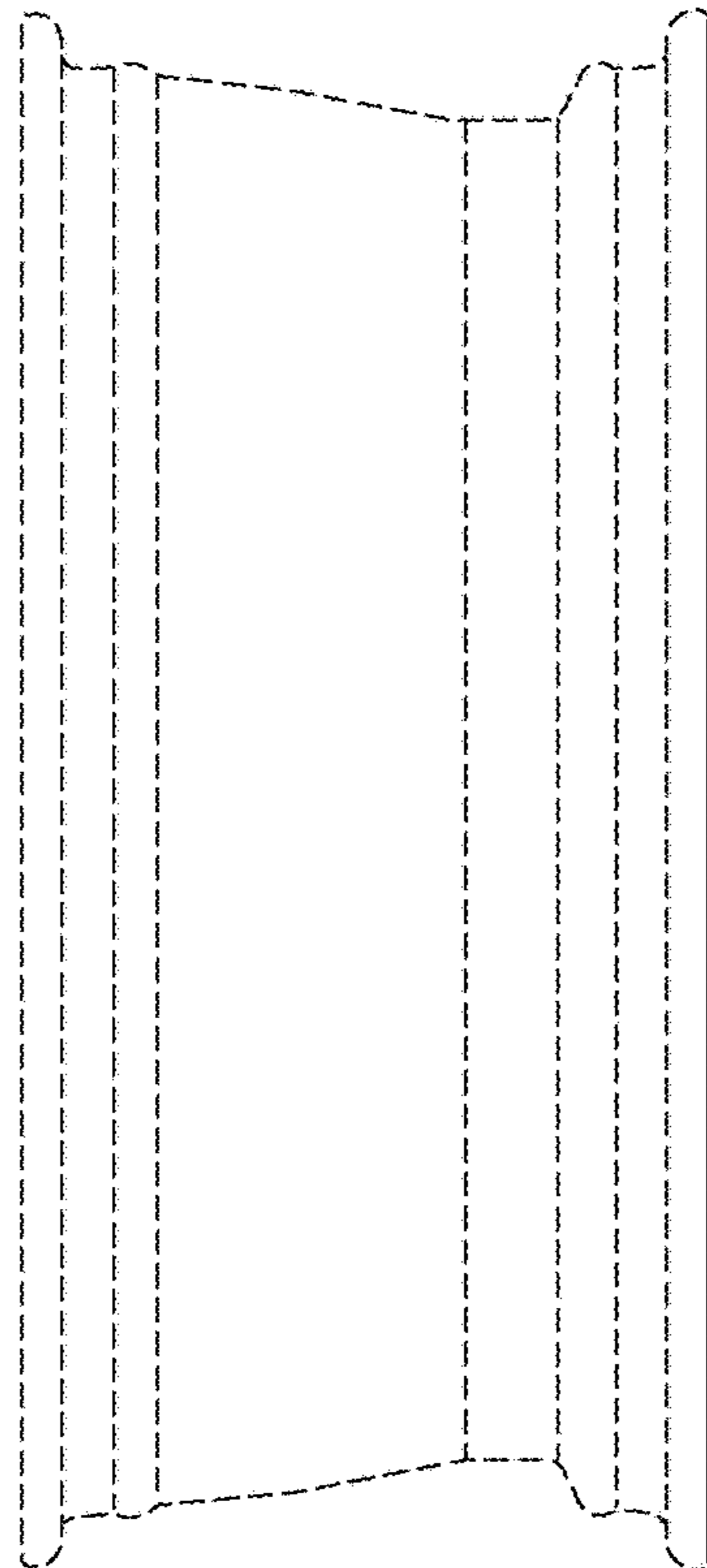


FIG. 3



FIG. 4



FIG. 5

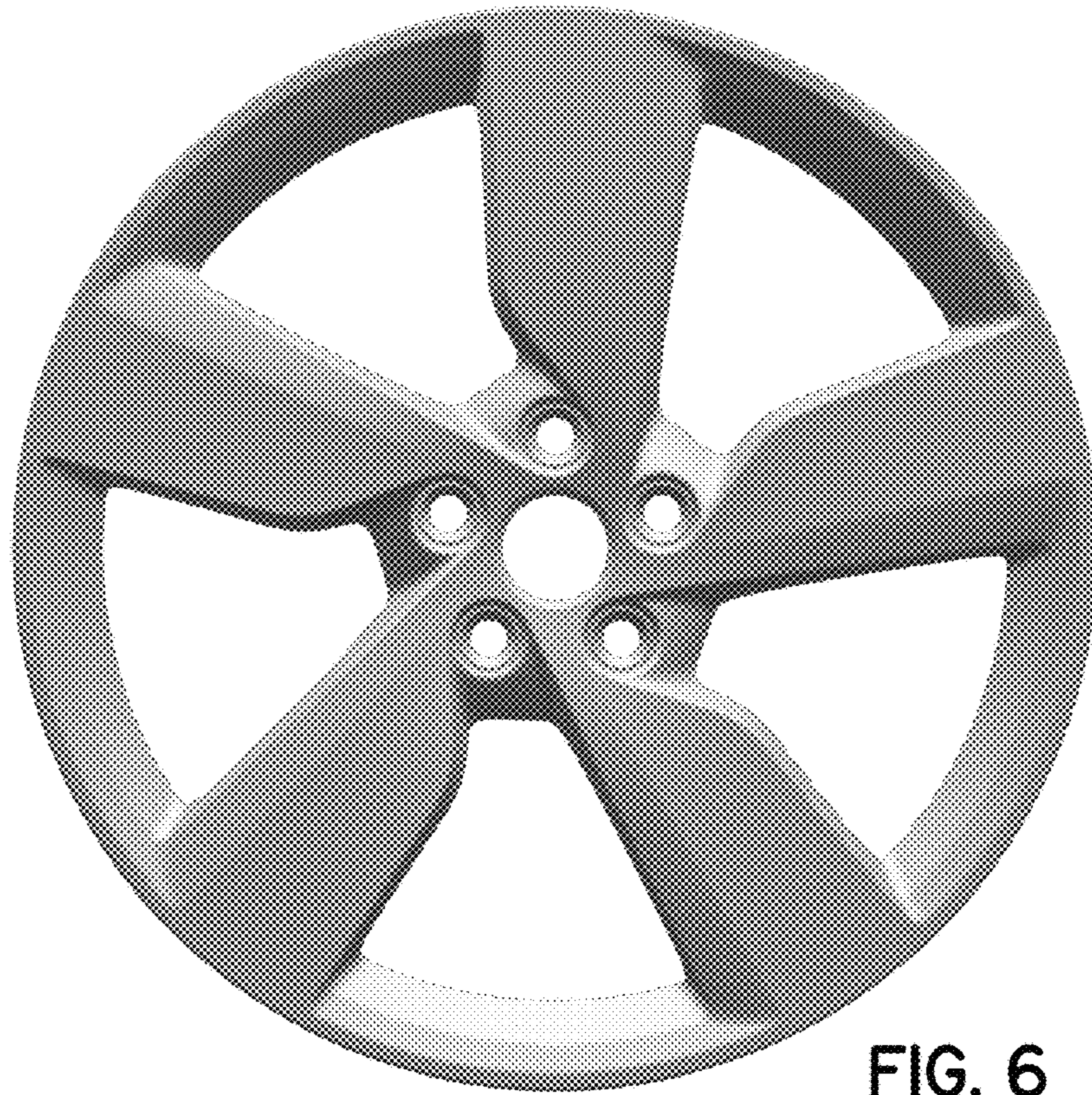


FIG. 6

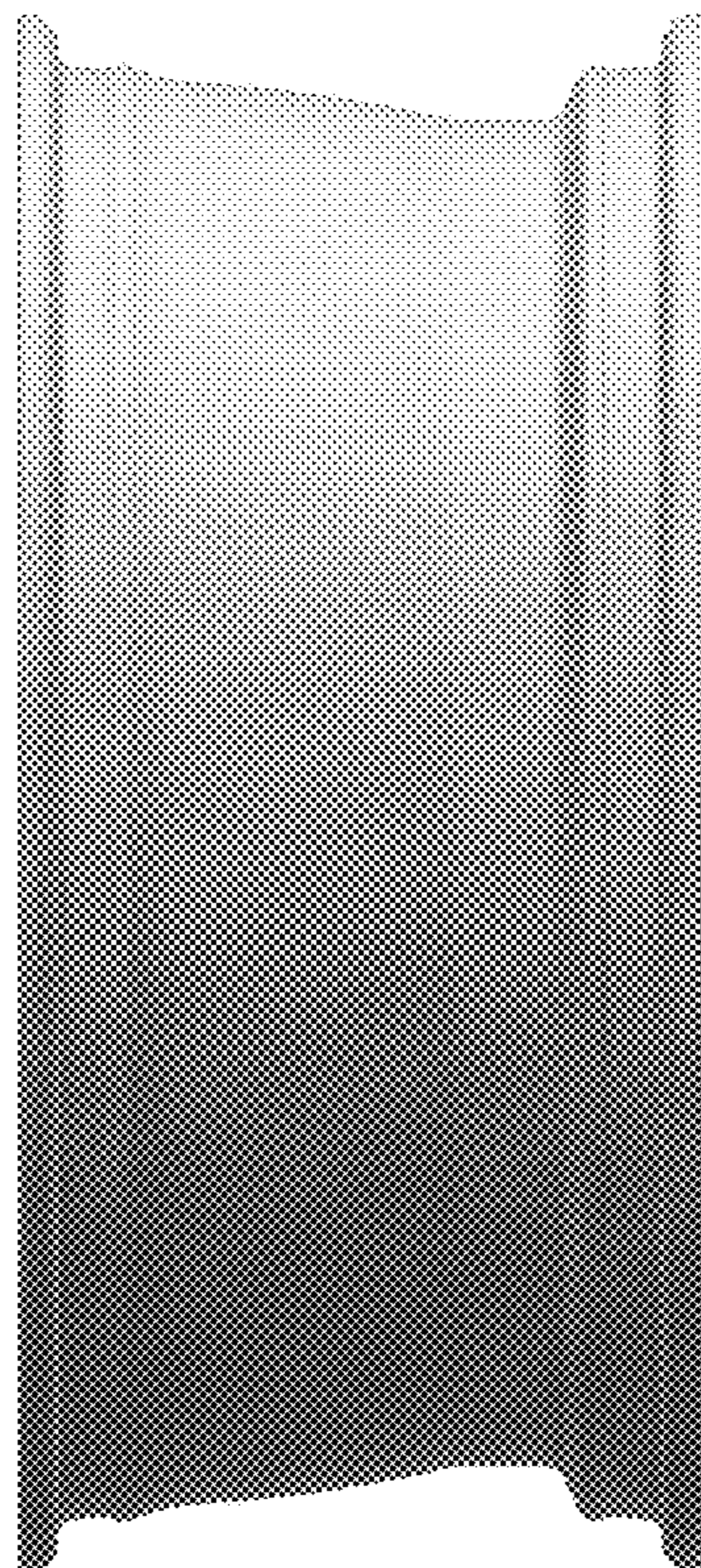


FIG. 7

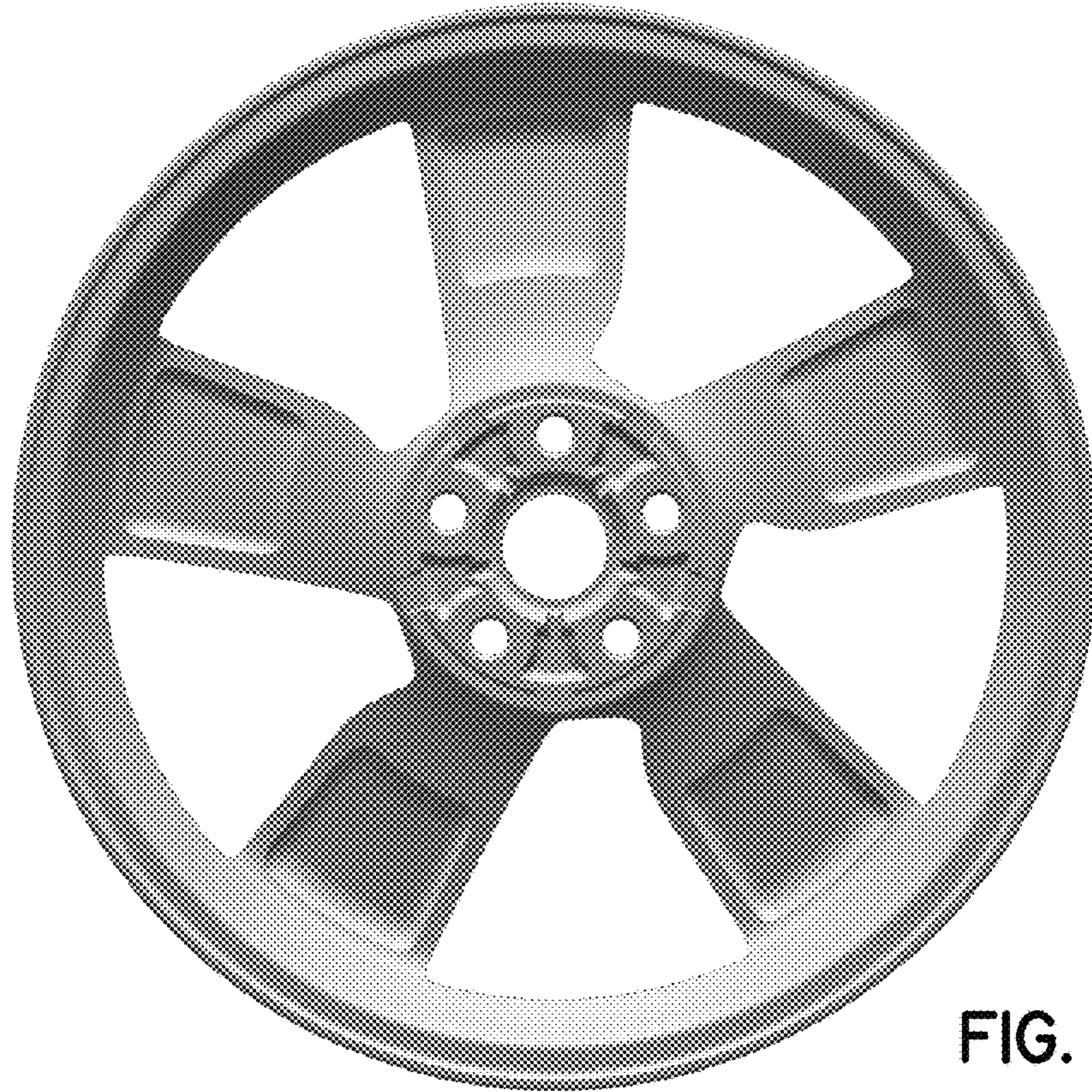


FIG. 8



FIG. 9



FIG. 10

UNITED STATES PATENT AND TRADEMARK OFFICE
CERTIFICATE OF CORRECTION

PATENT NO. : D848,343 S
APPLICATION NO. : 29/629426
DATED : May 14, 2019
INVENTOR(S) : Alex Chan

Page 1 of 1

It is certified that error appears in the above-identified patent and that said Letters Patent is hereby corrected as shown below:

On the Title Page

Column 1, the heading "Foreign Application Priority Data" and the information are missing. It should read as follows:

---(30) Foreign Application Priority Data
June 15, 2017 (EM).....004048916.---

Column 2, under "Description", the descriptions of FIGS. 4-7 should be cancelled.

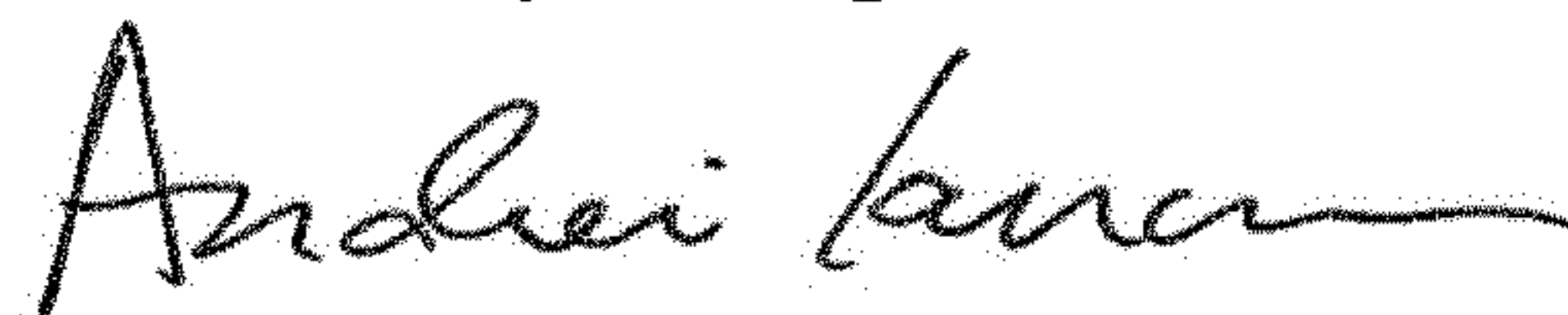
Column 2, under "Description", the following sentences should be inserted after the description of FIG. 3: --In Figs. 1-3, the broken lines show environmental structure and form no part of the claimed invention. More specifically, in Figs. 1 and 2, the centrally located broken lines show wheel hub structure, including bolt holes.--.

Under descriptions "1 Claim, 7 Drawing Sheets" should read ---1 Claim, 2 Drawing Sheets---

In the Drawings

FIGS. 4-7 should be cancelled.

Signed and Sealed this
Third Day of September, 2019



Andrei Iancu
Director of the United States Patent and Trademark Office