



US00D848342S

(12) **United States Design Patent**
Chan

(10) **Patent No.:** **US D848,342 S**

(45) **Date of Patent:** **** May 14, 2019**

(54) **WHEEL**

(71) Applicant: **Jaguar Land Rover Limited**, Whitley,
Coventry (GB)

(72) Inventor: **Alex Chan**, Coventry (GB)

(73) Assignee: **Jaguar Land Rover Limited**, Whitley,
Coventry (GB)

(**) Term: **15 Years**

(21) Appl. No.: **29/629,422**

(22) Filed: **Dec. 13, 2017**

(30) **Foreign Application Priority Data**

Jun. 15, 2017 (EM) 004048882

(51) **LOC (11) Cl.** **12-16**

(52) **U.S. Cl.**
USPC **D12/209**

(58) **Field of Classification Search**
USPC D12/204-213
CPC B60B 7/00; B60B 7/02; B60B 7/04; B60B
7/01; B60B 7/06; B60B 3/04; B60B 1/00;
B60B 3/10; B60B 1/10; B60B 1/08;
B60B 3/06; B60B 1/12; B60B 3/02
See application file for complete search history.

(56) **References Cited**

U.S. PATENT DOCUMENTS

D513,728 S * 1/2006 Yazawa D12/211
D619,071 S * 7/2010 Christensen D12/211

D628,948 S * 12/2010 Chung D12/211
D635,077 S * 3/2011 Nordmann D12/209
D639,226 S * 6/2011 Juergens D12/211
D671,479 S * 11/2012 Gonser D12/209
D673,494 S * 1/2013 Lemke D12/209
D686,965 S * 7/2013 Pollmann D12/211
D727,822 S * 4/2015 Wheel D12/209
D738,281 S * 9/2015 Watkin D12/211
D741,772 S * 10/2015 Lesnik D12/211
D774,435 S * 12/2016 Vartola D12/209
D787,411 S * 5/2017 Peat D12/211
D803,754 S * 11/2017 Chung D12/211
D806,633 S * 1/2018 Setter D12/211
D833,359 S * 11/2018 Ranum D12/209
D833,951 S * 11/2018 Wheel D12/211

* cited by examiner

Primary Examiner — Stacia A Cadmus

(74) *Attorney, Agent, or Firm* — Wood Herron & Evans
LLP

(57) **CLAIM**

The ornamental design for a wheel, as shown and described.

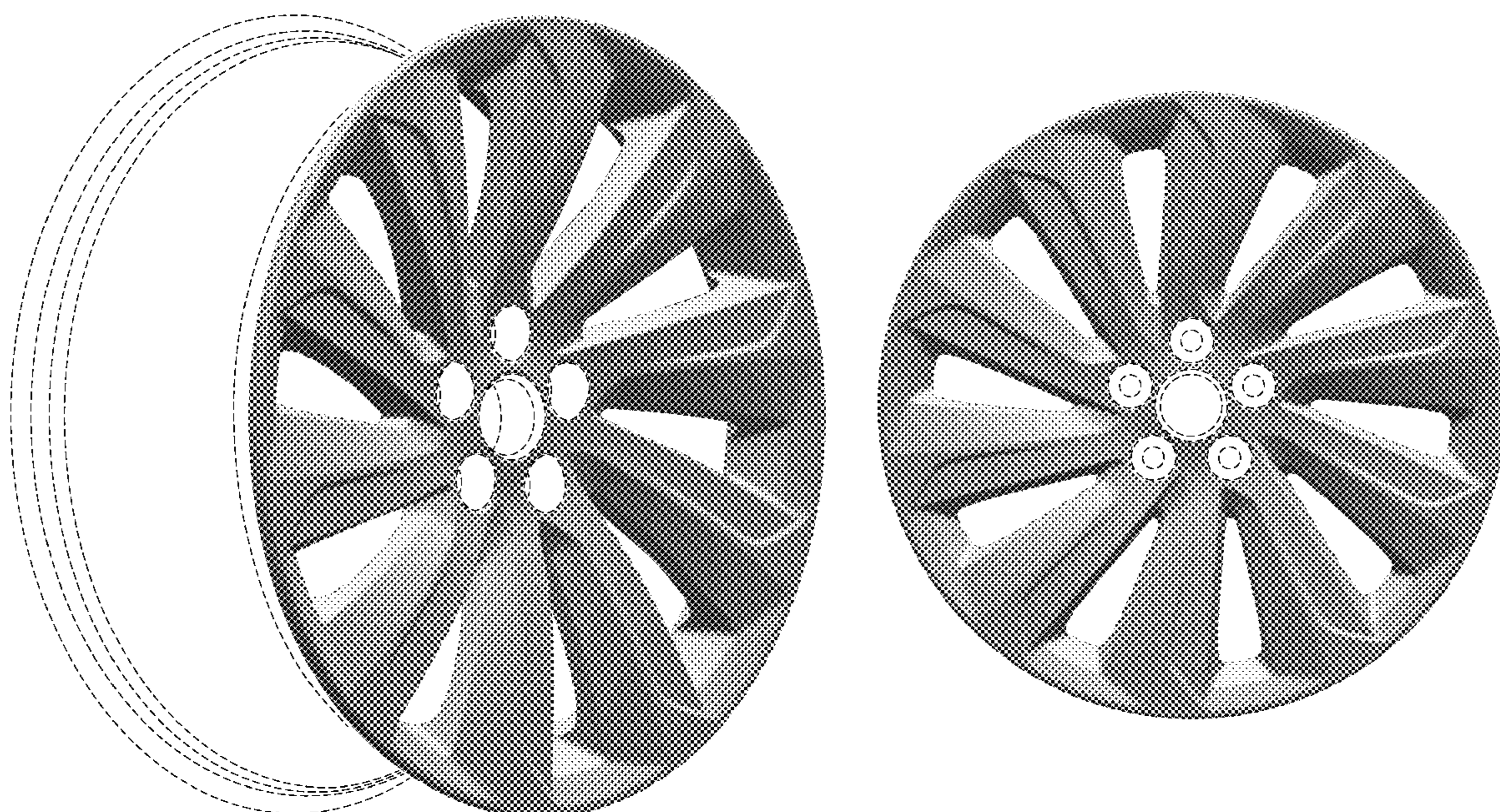
DESCRIPTION

FIG. 1 is a front left perspective view of a wheel for a vehicle according to the present invention.

FIG. 2 is a front view of the wheel shown in FIG. 1; and, FIG. 3 is a left side view thereof, the right side being a mirror image thereof.

In FIGS. 1-3, the broken lines show environmental structure and form no part of the claimed invention. More specifically, in FIGS. 1 and 2, the centrally located broken lines show wheel hub structure, including bolt holes.

1 Claim, 2 Drawing Sheets



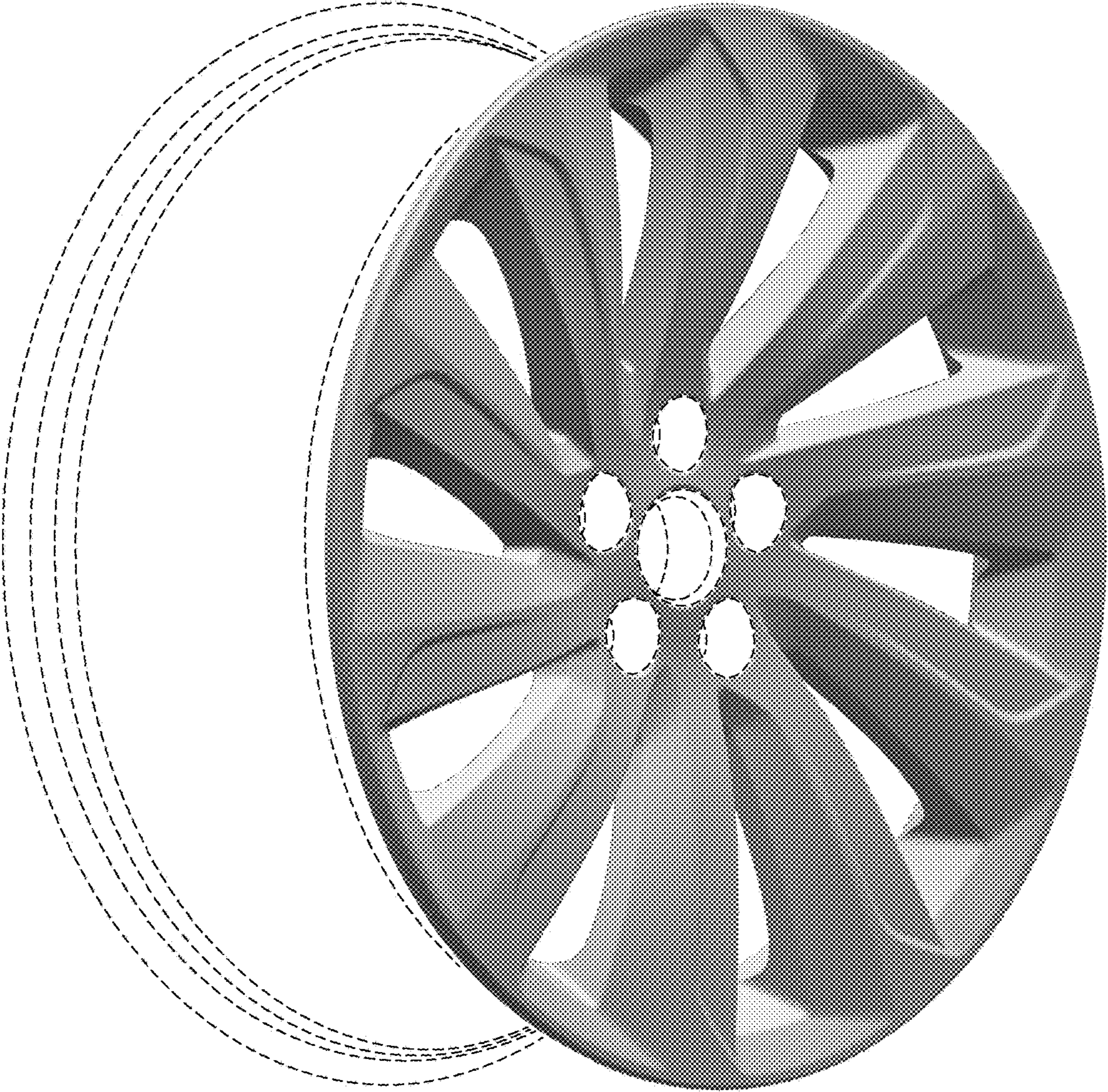


FIG. 1

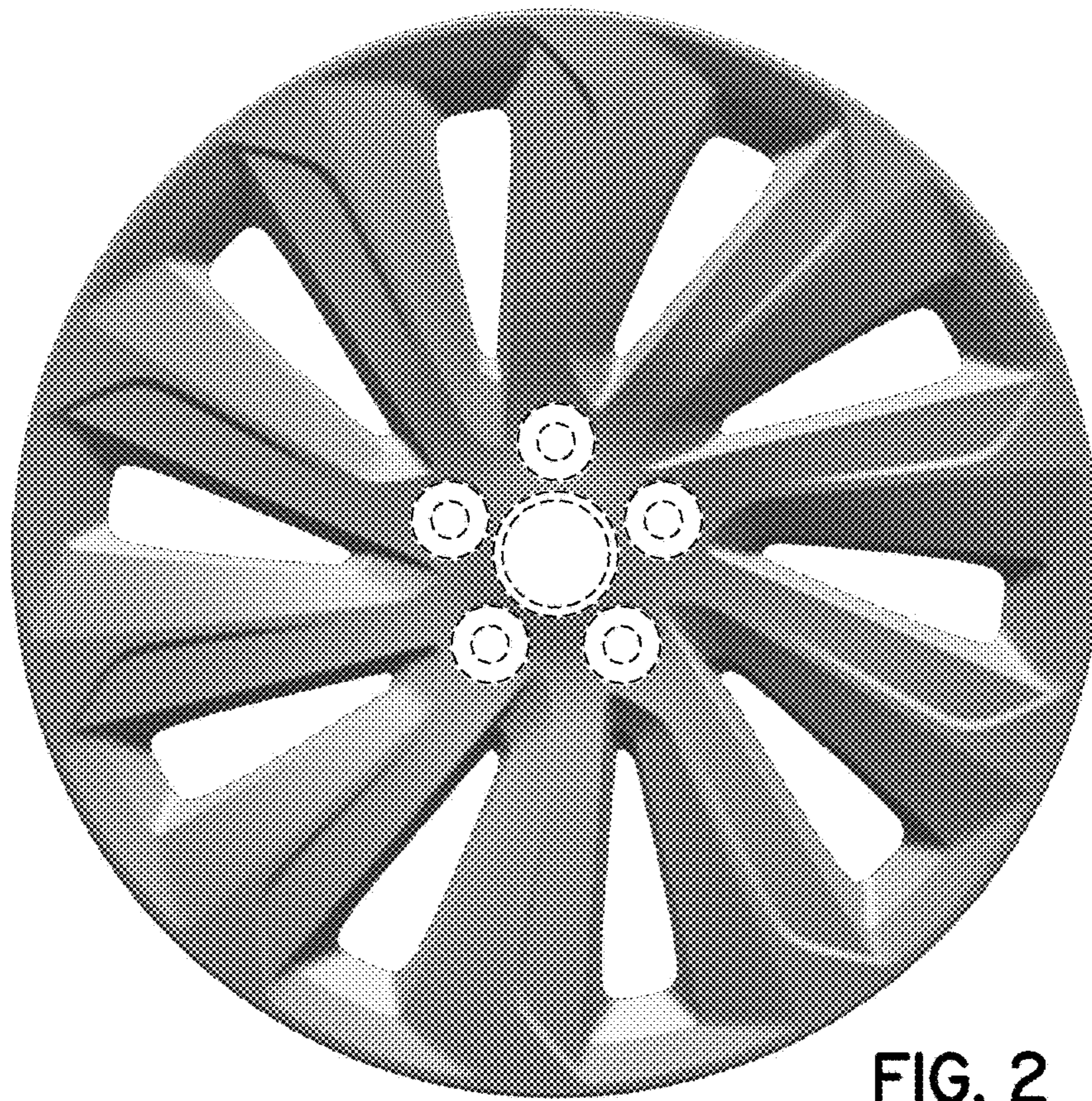


FIG. 2

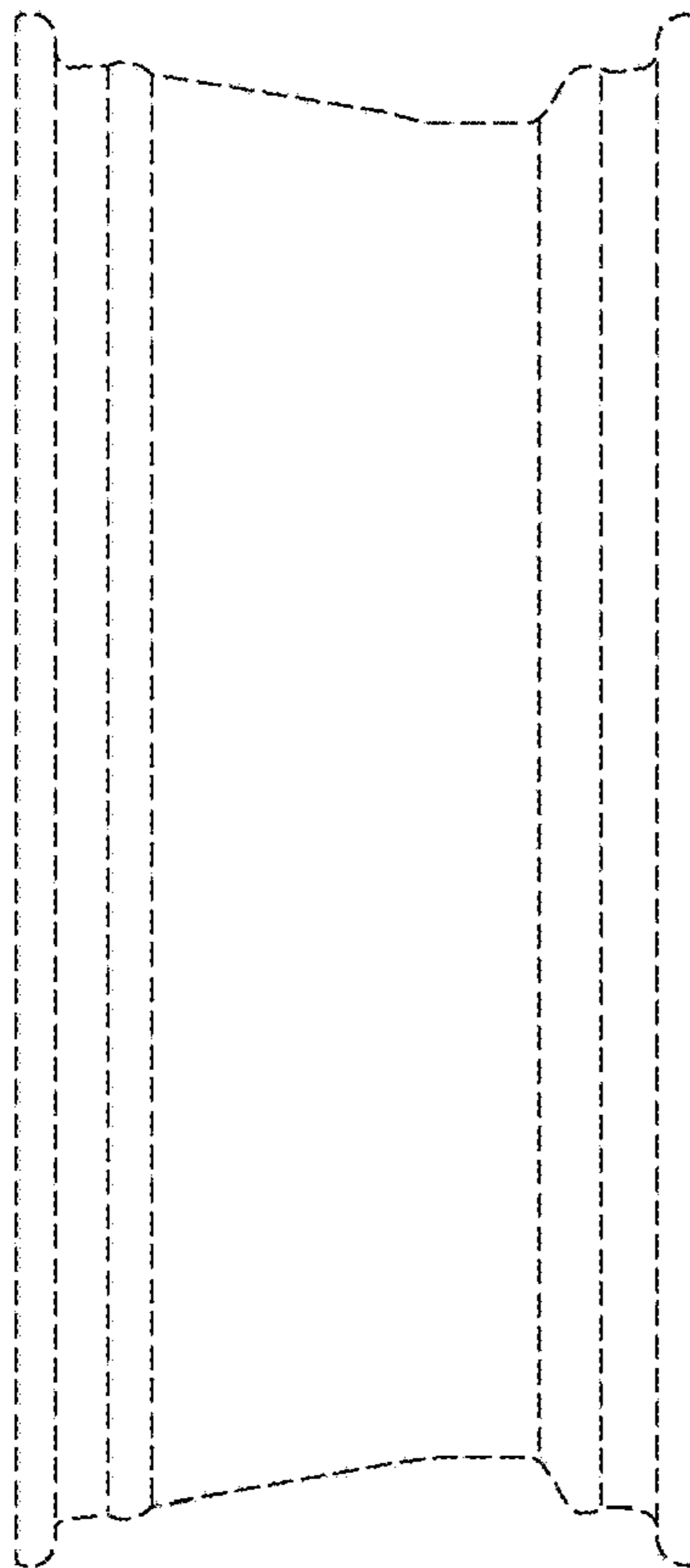


FIG. 3