



US00D848341S

(12) **United States Design Patent**  
**O'Neill**

(10) **Patent No.:** **US D848,341 S**

(45) **Date of Patent:** **\*\* May 14, 2019**

(54) **WHEEL**

(71) Applicant: **Jaguar Land Rover Limited**, Whitley,  
Coventry (GB)

(72) Inventor: **Michael O'Neill**, Coventry (GB)

(73) Assignee: **Jaguar Land Rover Limited**, Whitley,  
Coventry (GB)

(\*\*) Term: **15 Years**

(21) Appl. No.: **29/629,394**

(22) Filed: **Dec. 13, 2017**

(30) **Foreign Application Priority Data**

Jun. 15, 2017 (EM) ..... 004048882

(51) **LOC (11) Cl.** ..... **12-16**

(52) **U.S. Cl.**  
USPC ..... **D12/209**

(58) **Field of Classification Search**

USPC ..... D12/204–213  
CPC .... B60B 7/00; B60B 7/02; B60B 7/04; B60B  
7/01; B60B 7/06; B60B 3/04; B60B 1/00;  
B60B 3/10; B60B 1/10; B60B 1/08;  
B60B 3/06; B60B 1/12; B60B 3/02

See application file for complete search history.

(56) **References Cited**

U.S. PATENT DOCUMENTS

D727,822 S *	4/2015	Wheel .....	D12/209
D745,842 S *	12/2015	Wheel .....	D12/209
D781,205 S *	3/2017	O'Neill .....	D12/211
D781,762 S *	3/2017	Setter .....	D12/209
D782,951 S *	4/2017	Bjerke .....	D12/209
D790,424 S *	6/2017	Valencia Pollex .....	D12/209
D798,786 S *	10/2017	Chung .....	D12/209
D806,633 S *	1/2018	Setter .....	D12/211
D813,781 S *	3/2018	Valencia Pollex .....	D12/209
D821,951 S *	7/2018	Wheel .....	D12/209
D825,427 S *	8/2018	Myrberg .....	D12/209
D833,951 S *	11/2018	Wheel .....	D12/211

\* cited by examiner

*Primary Examiner* — Stacia A Cadmus

(74) *Attorney, Agent, or Firm* — Wood Herron & Evans  
LLP

(57) **CLAIM**

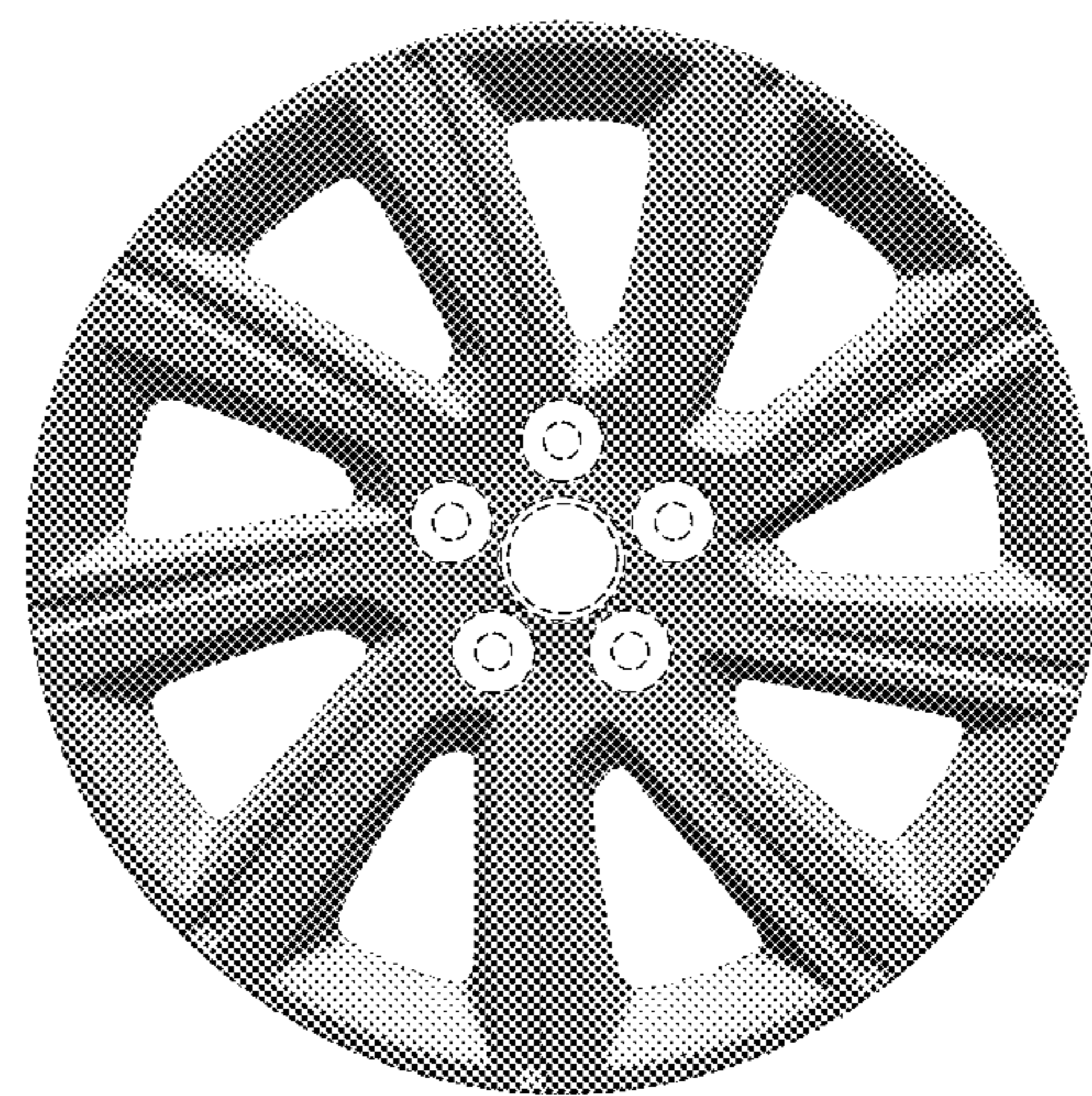
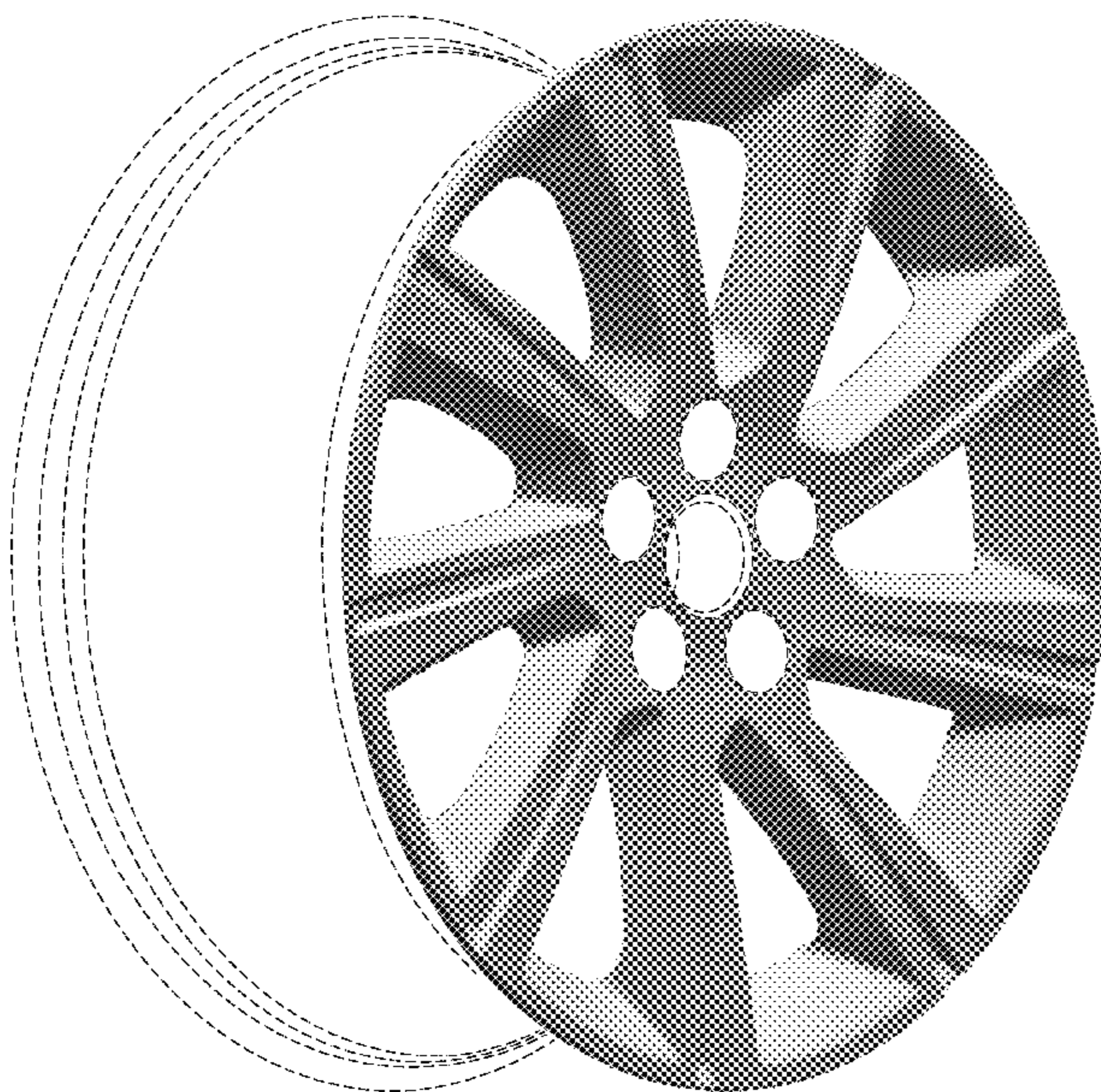
The ornamental design for a wheel, as shown and described.

**DESCRIPTION**

FIG. 1 is a front left perspective view of a wheel for a vehicle according to the present invention.

FIG. 2 is a front view of the wheel shown in FIG. 1; and, FIG. 3 is a left side view thereof, the right side being a mirror image thereof.

**1 Claim, 2 Drawing Sheets**



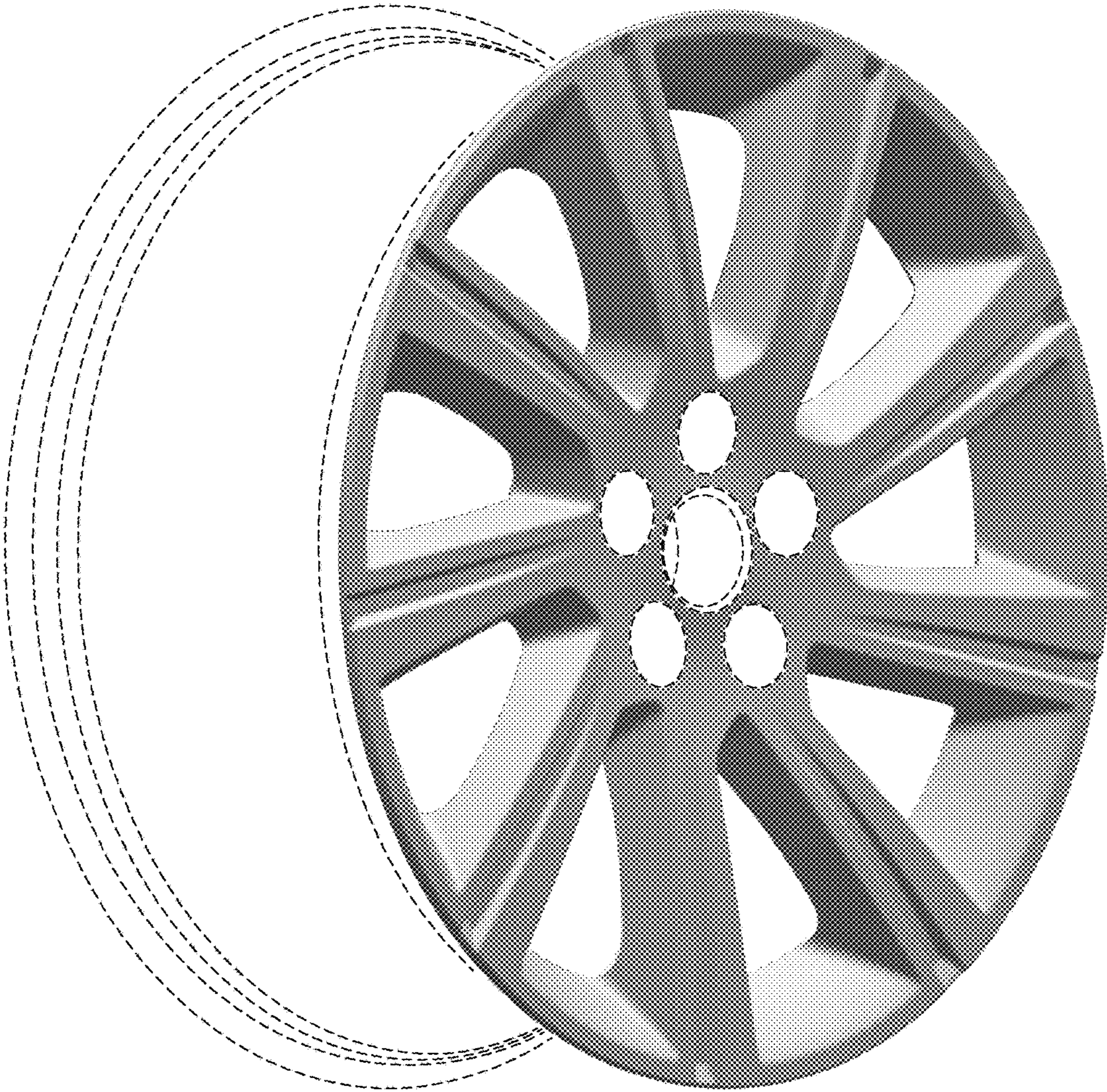


FIG. 1

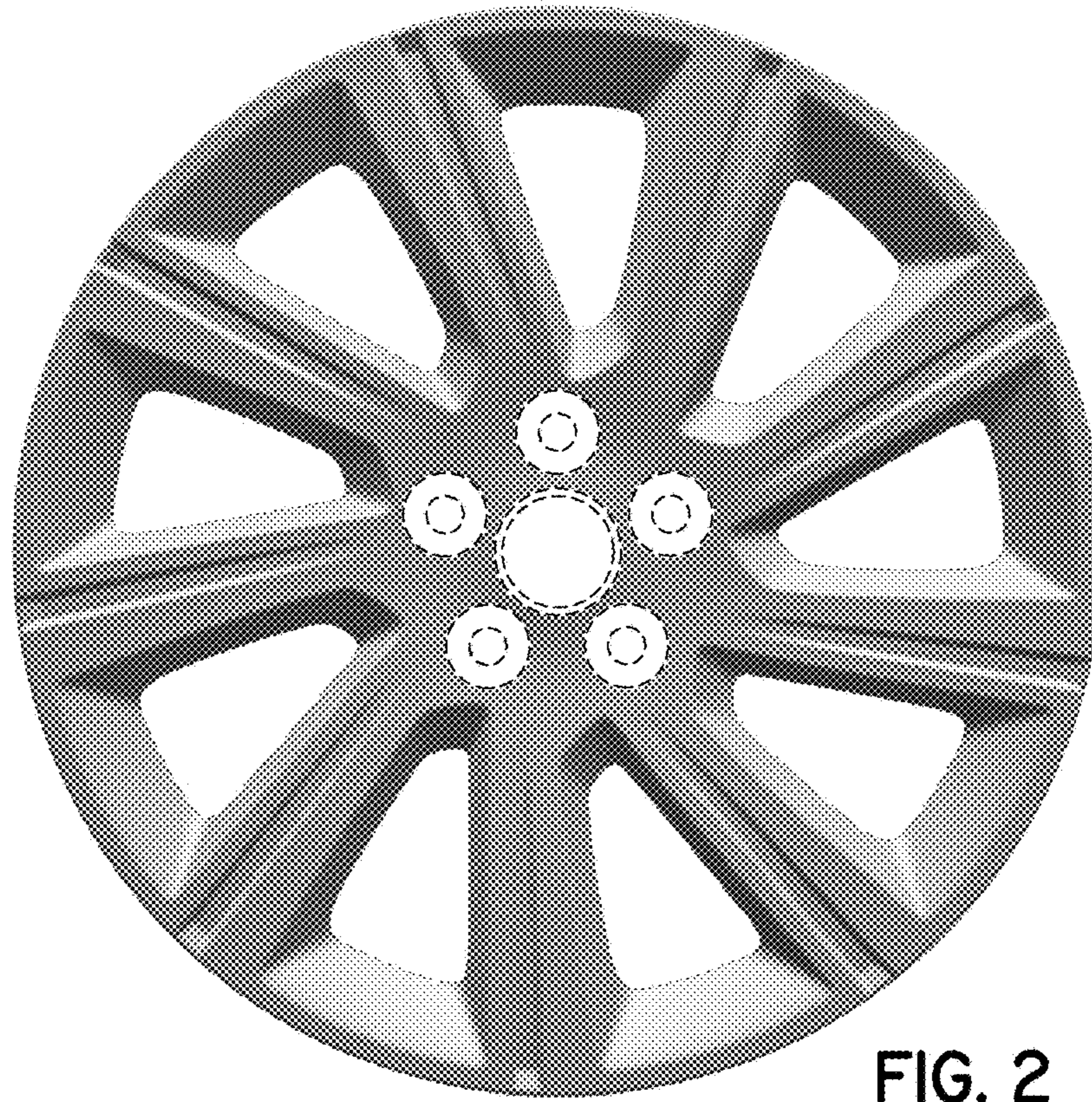


FIG. 2

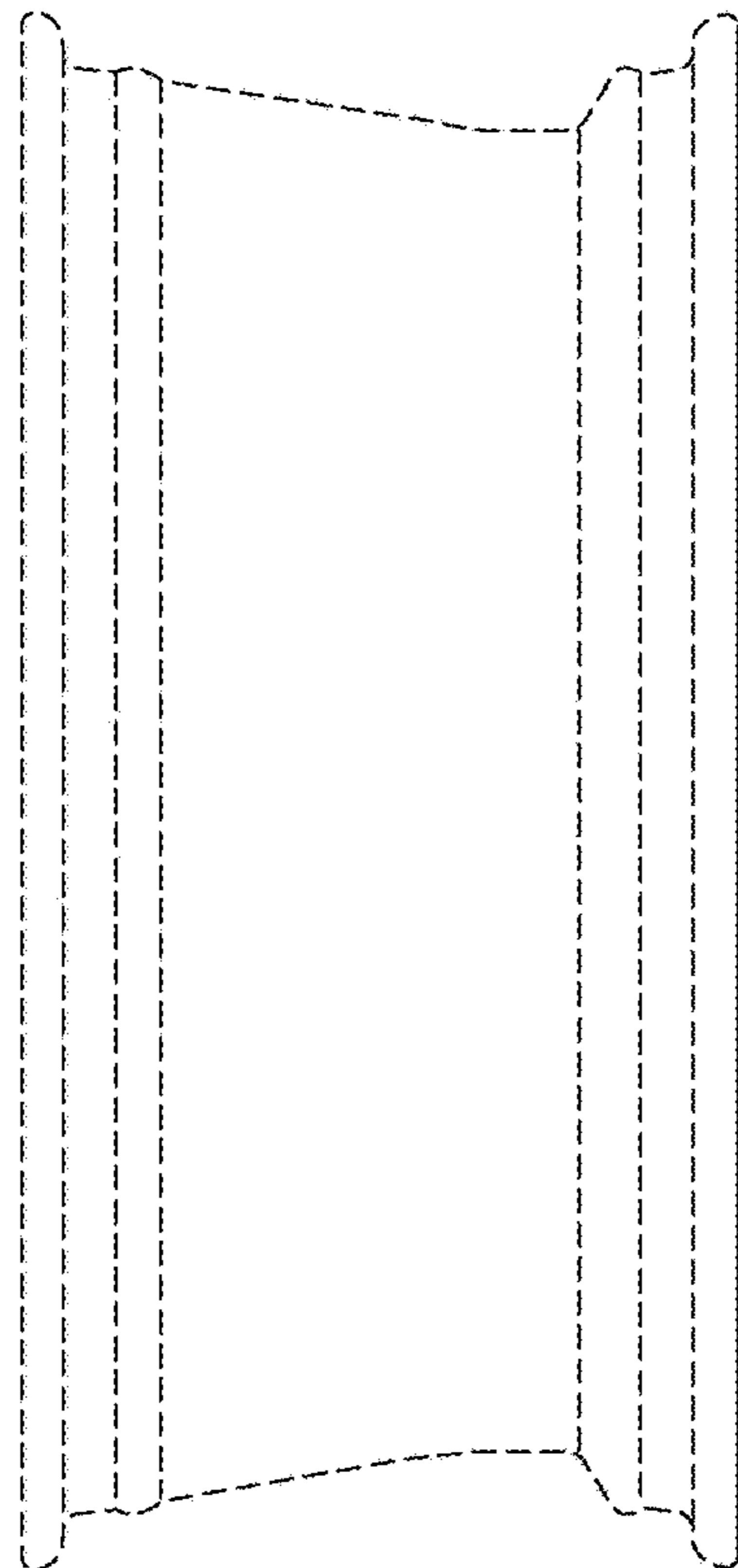


FIG. 3

UNITED STATES PATENT AND TRADEMARK OFFICE  
**CERTIFICATE OF CORRECTION**

PATENT NO. : D848,341 S  
APPLICATION NO. : 29/629394  
DATED : May 14, 2019  
INVENTOR(S) : Michael O'Neill

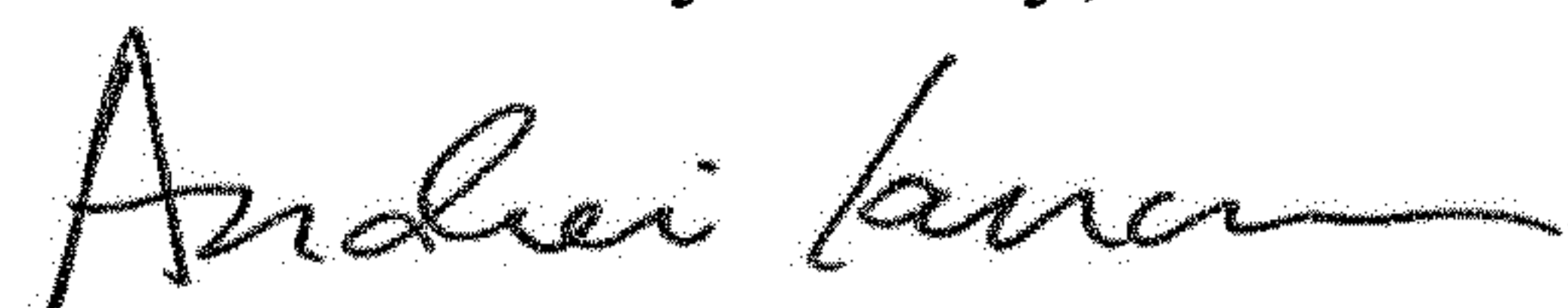
Page 1 of 1

It is certified that error appears in the above-identified patent and that said Letters Patent is hereby corrected as shown below:

On the Title Page

Column 2, under the heading "Description", insert an additional paragraph to read --In FIGS. 1-3, the broken lines show environmental structure and form no part of the claimed invention. More specifically, in FIGS. 1 and 2, the centrally located broken lines show wheel hub structure, including bolt holes.--

Signed and Sealed this  
Ninth Day of July, 2019



Andrei Iancu  
*Director of the United States Patent and Trademark Office*