



US00D848339S

(12) **United States Design Patent**
Buck

(10) **Patent No.:** **US D848,339 S**

(45) **Date of Patent:** **** May 14, 2019**

(54) **WHEEL**

(71) Applicant: **Jaguar Land Rover Limited**, Whitley,
Coventry (GB)

(72) Inventor: **Joe Buck**, Coventry (GB)

(73) Assignee: **Jaguar Land Rover Limited**, Whitley,
Coventry (GB)

(**) Term: **15 Years**

(21) Appl. No.: **29/626,462**

(22) Filed: **Nov. 17, 2017**

(30) **Foreign Application Priority Data**

May 24, 2017 (EM) 004016863

(51) **LOC (11) Cl.** **12-16**

(52) **U.S. Cl.**
USPC **D12/209**

(58) **Field of Classification Search**
USPC D12/204–213
CPC B60B 7/00; B60B 7/02; B60B 7/04; B60B
7/01; B60B 7/06; B60B 3/04; B60B 1/00;
B60B 3/10; B60B 1/10; B60B 1/08;
B60B 3/06; B60B 1/12; B60B 3/02
See application file for complete search history.

(56) **References Cited**

U.S. PATENT DOCUMENTS

D409,967 S * 5/1999 Chung D12/209
D436,070 S * 1/2001 Lee D12/209
D438,500 S * 3/2001 Embrador D12/209
D453,722 S * 2/2002 Fitzgerald D12/209
D503,917 S * 4/2005 Kushartanto D12/209

D519,434 S * 4/2006 Werner D12/211
D527,325 S * 8/2006 Nagashima D12/209
D538,215 S * 3/2007 Laengerer D12/209
D623,110 S * 9/2010 Juergens D12/209
D677,208 S * 3/2013 Gotschke D12/209
D701,157 S * 3/2014 McMath D12/211
D730,796 S * 6/2015 Dingle D12/209
D747,250 S * 1/2016 Bildhaeuser D12/209
D754,049 S * 4/2016 Valencia Pollex D12/209
D764,369 S * 8/2016 Wheel D12/209
D770,959 S * 11/2016 Chung D12/211
D772,131 S * 11/2016 Wheel D12/209
D775,578 S * 1/2017 Johnson D12/211
D777,638 S * 1/2017 Peat D12/209
D783,493 S * 4/2017 Hubers D12/209
D798,216 S * 9/2017 Snyder D12/211
D800,045 S * 10/2017 Taylor D12/211

* cited by examiner

Primary Examiner — Stacia A Cadmus

(74) *Attorney, Agent, or Firm* — Wood Herron & Evans
LLP

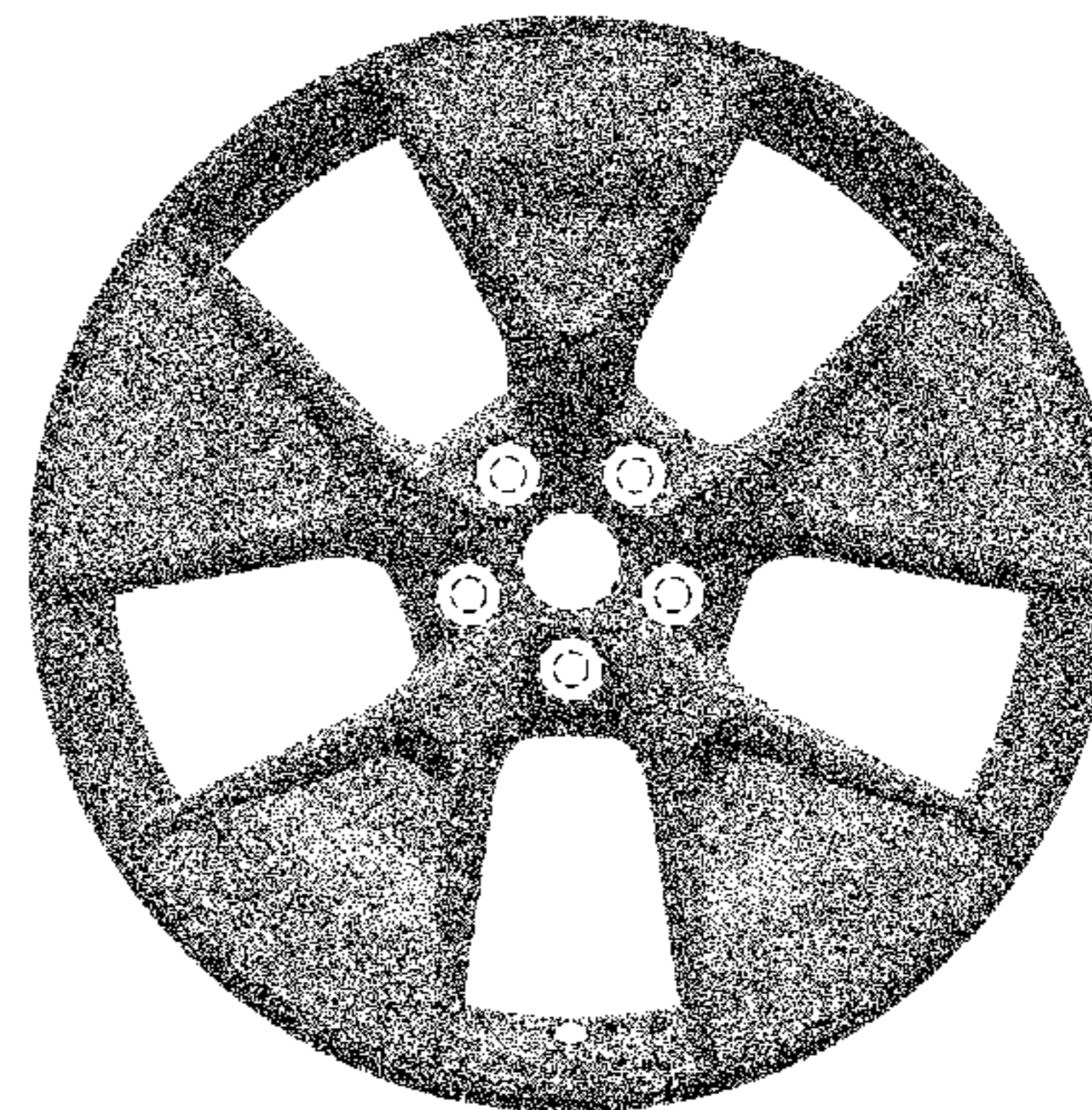
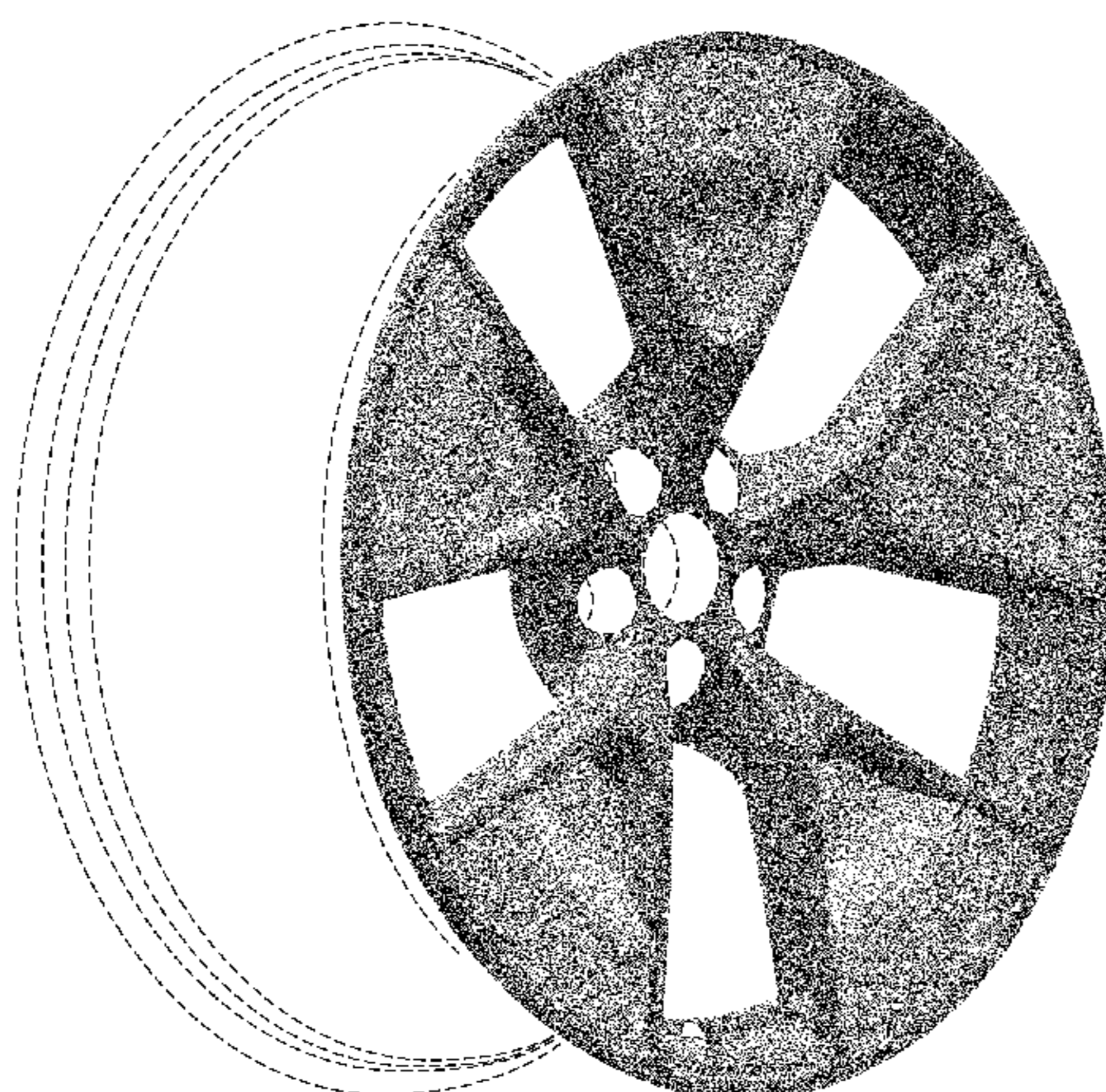
(57) **CLAIM**

The ornamental design for a wheel, as shown and described.

DESCRIPTION

FIG. 1 is a front left perspective view of a wheel for a vehicle according to the present invention. FIG. 2 is a front view of the wheel shown in FIG. 1; and, FIG. 3 is a left side view thereof, the right side being a mirror image thereof. In FIGS. 1-3, the broken line showing of the rear of the rim, the bolt holes, and the center hole in the central hub area is included for the purpose of illustrating environment and forms no part of the claimed design.

1 Claim, 2 Drawing Sheets



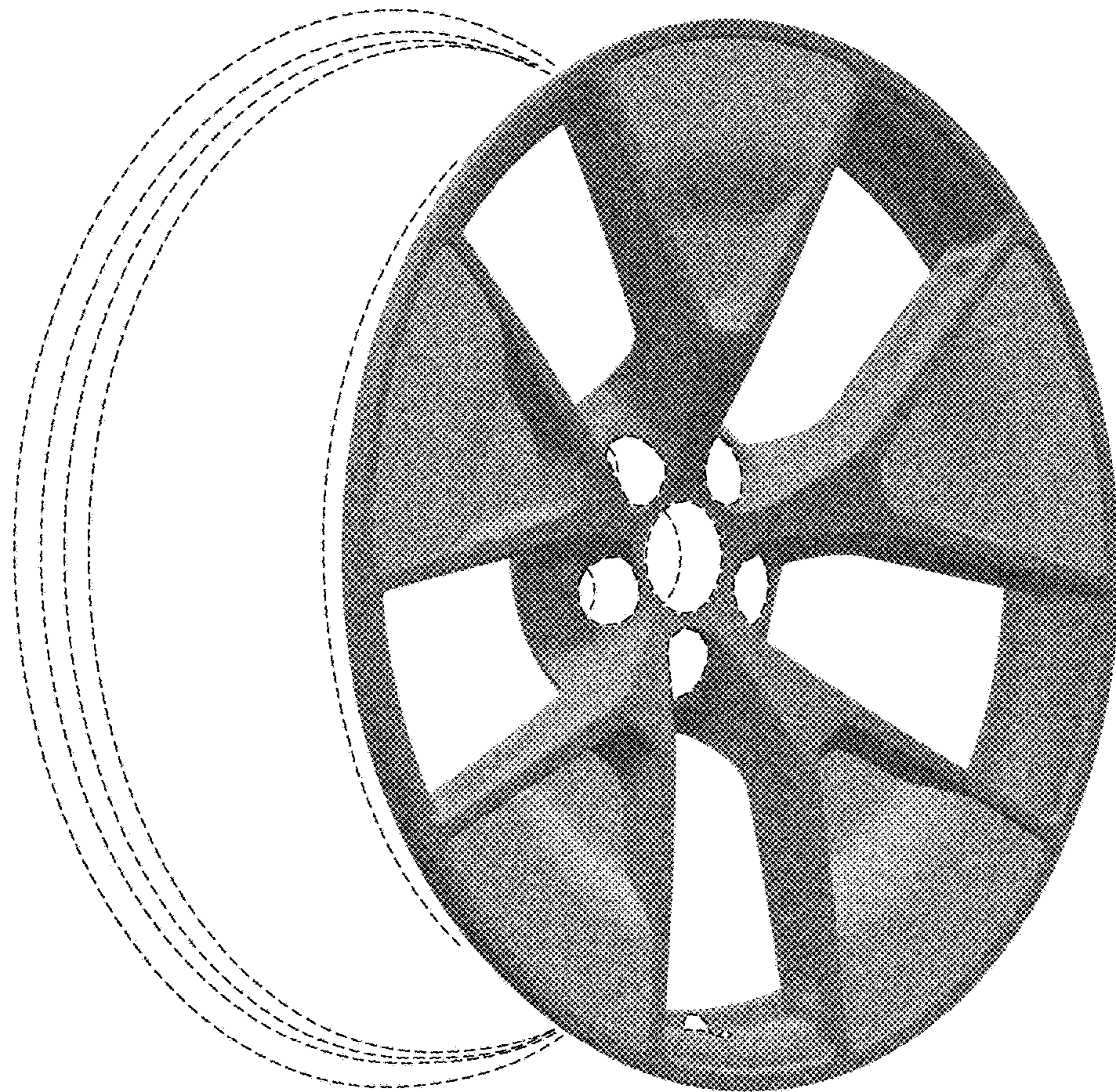


FIG. 1

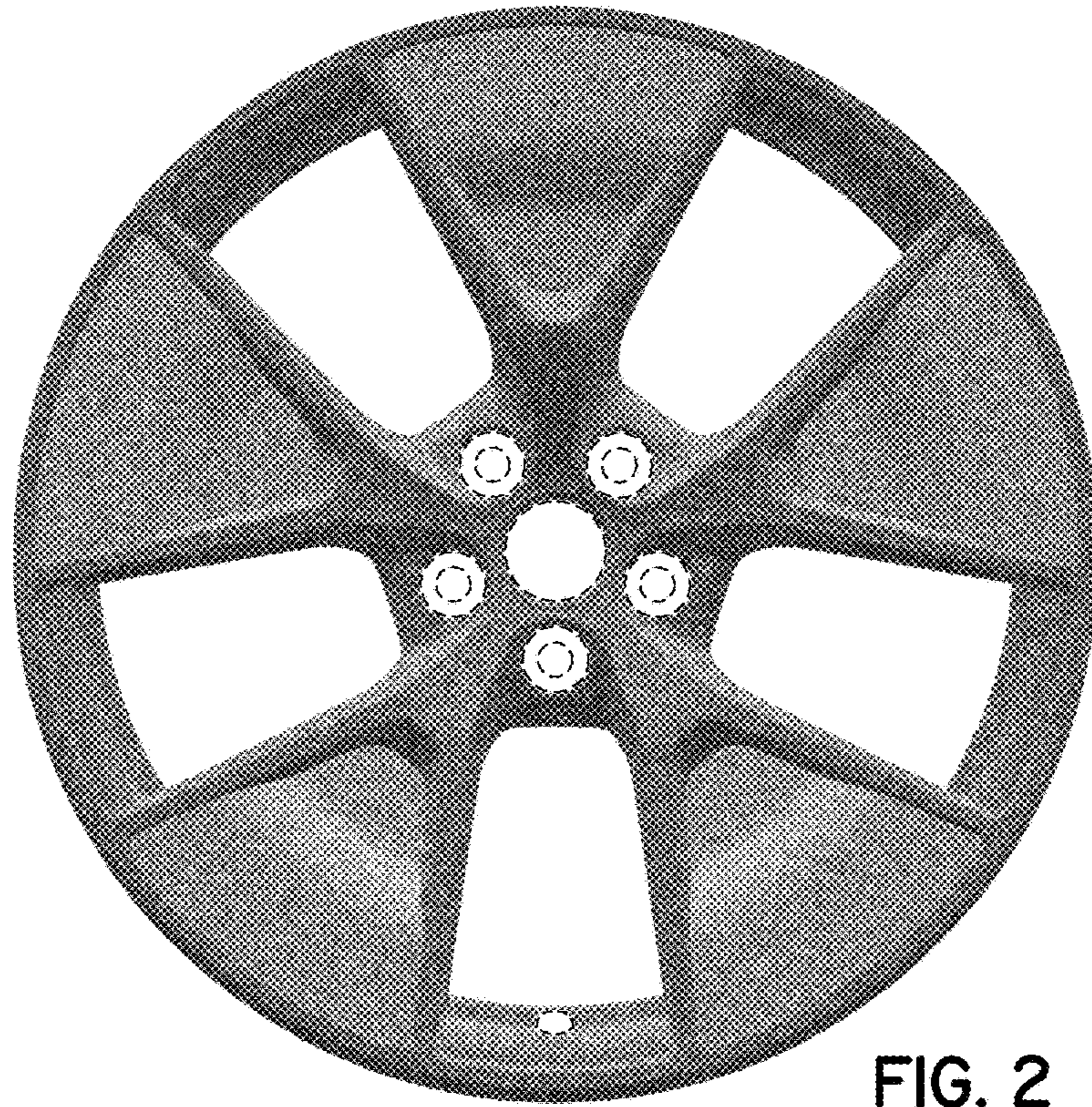


FIG. 2

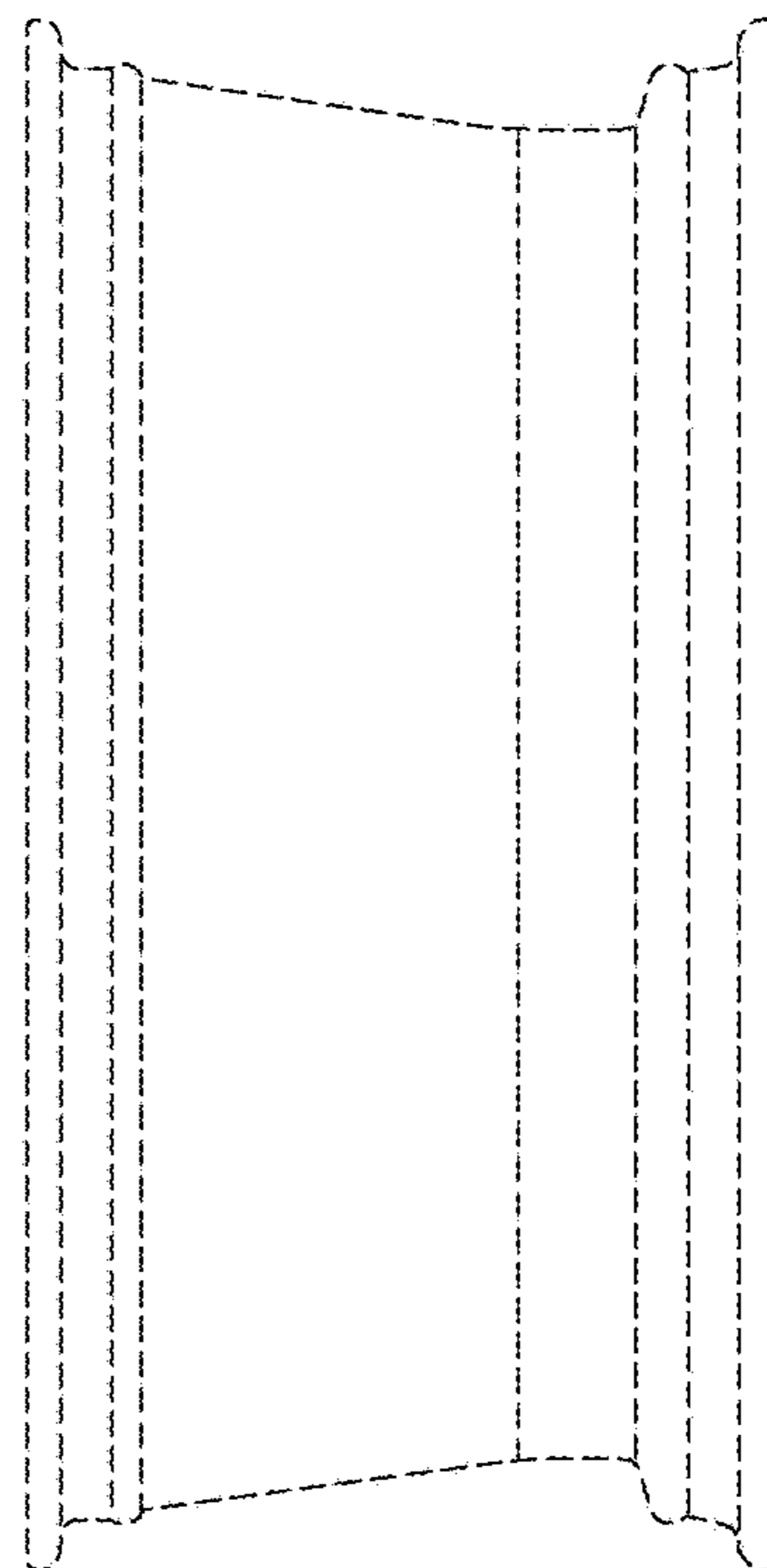


FIG. 3