



US00D848337S

(12) **United States Design Patent**
Tovey

(10) **Patent No.:** **US D848,337 S**

(45) **Date of Patent:** **** May 14, 2019**

(54) **WHEEL**

(71) Applicant: **Jaguar Land Rover Limited**, Whitley,
Coventry (GB)

(72) Inventor: **Simon Tovey**, Coventry (GB)

(73) Assignee: **Jaguar Land Rover Limited**, Whitley,
Coventry (GB)

(**) Term: **15 Years**

(21) Appl. No.: **29/624,948**

(22) Filed: **Nov. 6, 2017**

(30) **Foreign Application Priority Data**

May 11, 2017 (EM) 003997071

(51) **LOC (11) Cl.** **12-16**

(52) **U.S. Cl.**
USPC **D12/209**

(58) **Field of Classification Search**
USPC D12/204–213
CPC B60B 7/00; B60B 7/02; B60B 7/04; B60B
7/01; B60B 7/06; B60B 3/04; B60B 1/00;
B60B 3/10; B60B 1/10; B60B 1/08;
B60B 3/06; B60B 1/12; B60B 3/02
See application file for complete search history.

(56) **References Cited**

U.S. PATENT DOCUMENTS

D409,966 S *	5/1999	Chung	D12/209
D427,557 S *	7/2000	Chung	D12/209
D428,377 S *	7/2000	Kubosaki	D12/209
D504,096 S *	4/2005	Nakagawa	D12/209
D521,436 S *	5/2006	Meier	D12/209
D619,524 S *	7/2010	Gabath	D12/209
D626,905 S *	11/2010	Camacho	D12/209
D631,814 S *	2/2011	Baum	D12/209

D671,474 S *	11/2012	Juergens	D12/209
D682,176 S *	5/2013	Badstuebner	D12/209
D734,235 S *	7/2015	Juergens	D12/209
D740,191 S *	10/2015	Webber	D12/209
D744,927 S *	12/2015	Morgenstern	D12/209
D751,016 S *	3/2016	Valencia Pollex	D12/209
D755,694 S *	5/2016	Valencia Pollex	D12/209
D763,159 S *	8/2016	Valencia Pollex	D12/209
D768,553 S *	10/2016	Ishii	D12/209
D783,491 S *	4/2017	Valencia Pollex	D12/209
D783,492 S *	4/2017	Valencia Pollex	D12/209
D788,674 S *	6/2017	Mielke	D12/209
D789,863 S *	6/2017	Yoneyama	D12/209
D790,426 S *	6/2017	Valencia Pollex	D12/209
D790,429 S *	6/2017	Juergens	D12/211
D791,033 S *	7/2017	Peat	D12/209
D792,305 S *	7/2017	Terui	D12/209
D793,321 S *	8/2017	Valencia Pollex	D12/209
D795,778 S *	8/2017	Valencia Pollex	D12/211

(Continued)

Primary Examiner — Stacia A Cadmus

(74) *Attorney, Agent, or Firm* — Wood Herron & Evans
LLP

(57) **CLAIM**

The ornamental design for a wheel, as shown and described.

DESCRIPTION

FIG. 1 is a front left perspective view of a wheel showing my new design.

FIG. 2 is a front view thereof.

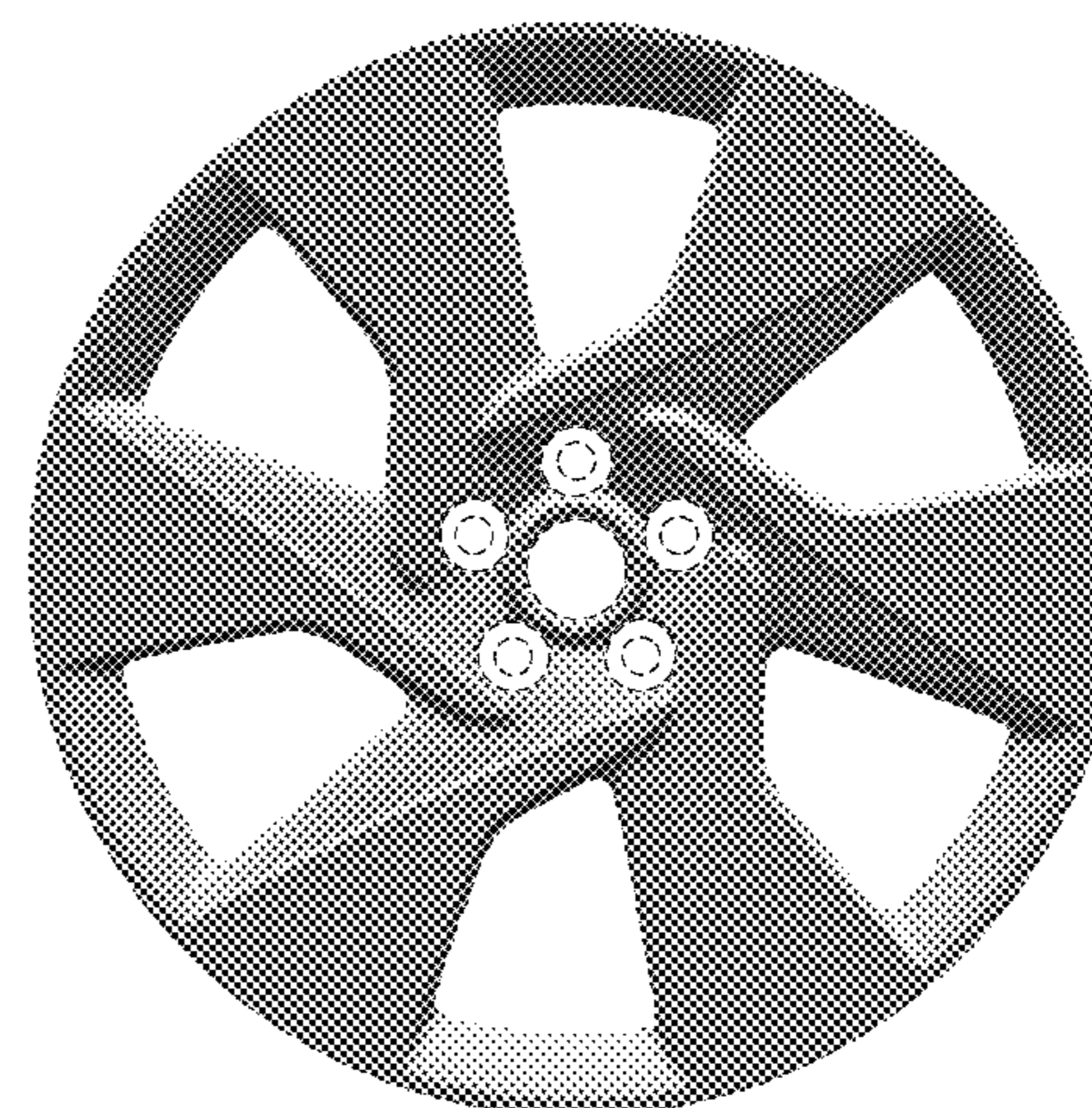
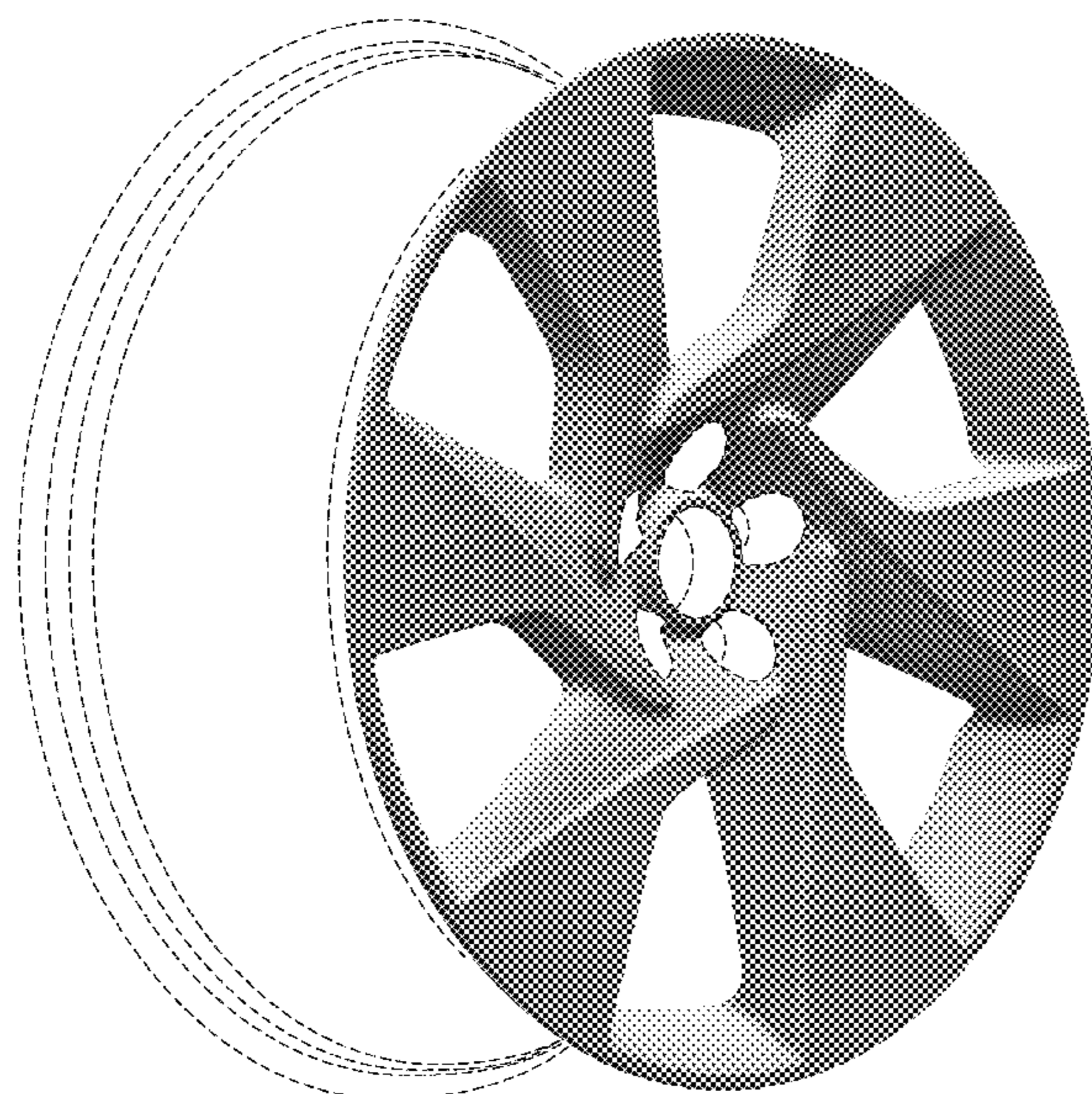
FIG. 3 is a left side view thereof, the right side being a mirror image thereof.

FIG. 4 is a front left perspective view of a second embodiment of the wheel.

FIG. 5 is a front view of the wheel shown in FIG. 4; and, FIG. 6 is a left side view of FIG. 4, the right side being a mirror image thereof.

The broken lines in the drawings show environmental structure and form no part of the claimed design.

1 Claim, 4 Drawing Sheets



(56)

References Cited

U.S. PATENT DOCUMENTS

D797,024	S	*	9/2017	Ariga	D12/209
D803,131	S	*	11/2017	Bridan	D12/209
D807,269	S	*	1/2018	Peat	D12/209
D827,545	S	*	9/2018	Kawaguchi	D12/209
D828,269	S	*	9/2018	Kikuchi	D12/209
D830,270	S	*	10/2018	Ma	D12/211
D830,939	S	*	10/2018	Ma	D12/211
D832,179	S	*	10/2018	Behmer	D12/211

* cited by examiner

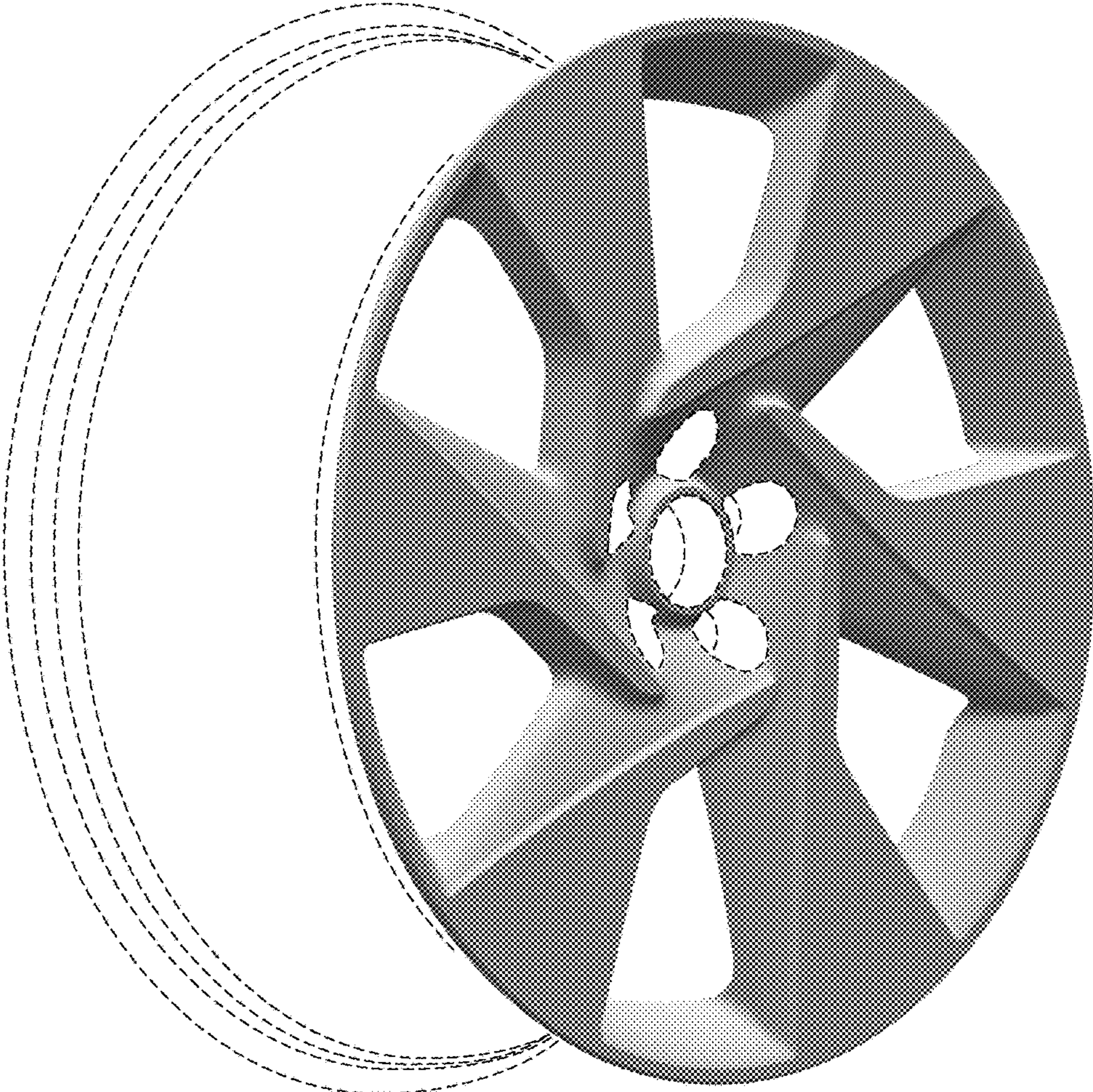


FIG. 1

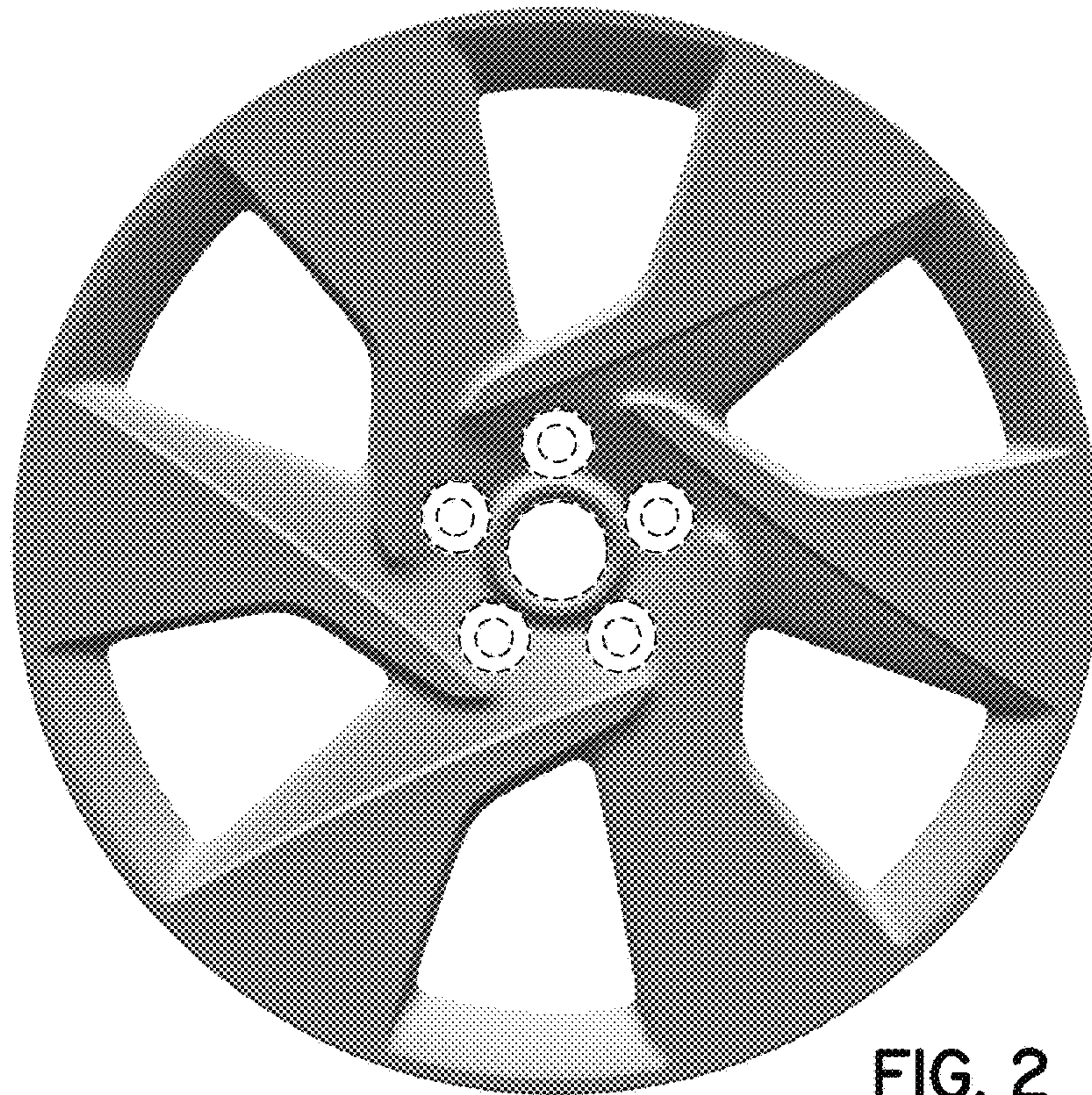


FIG. 2

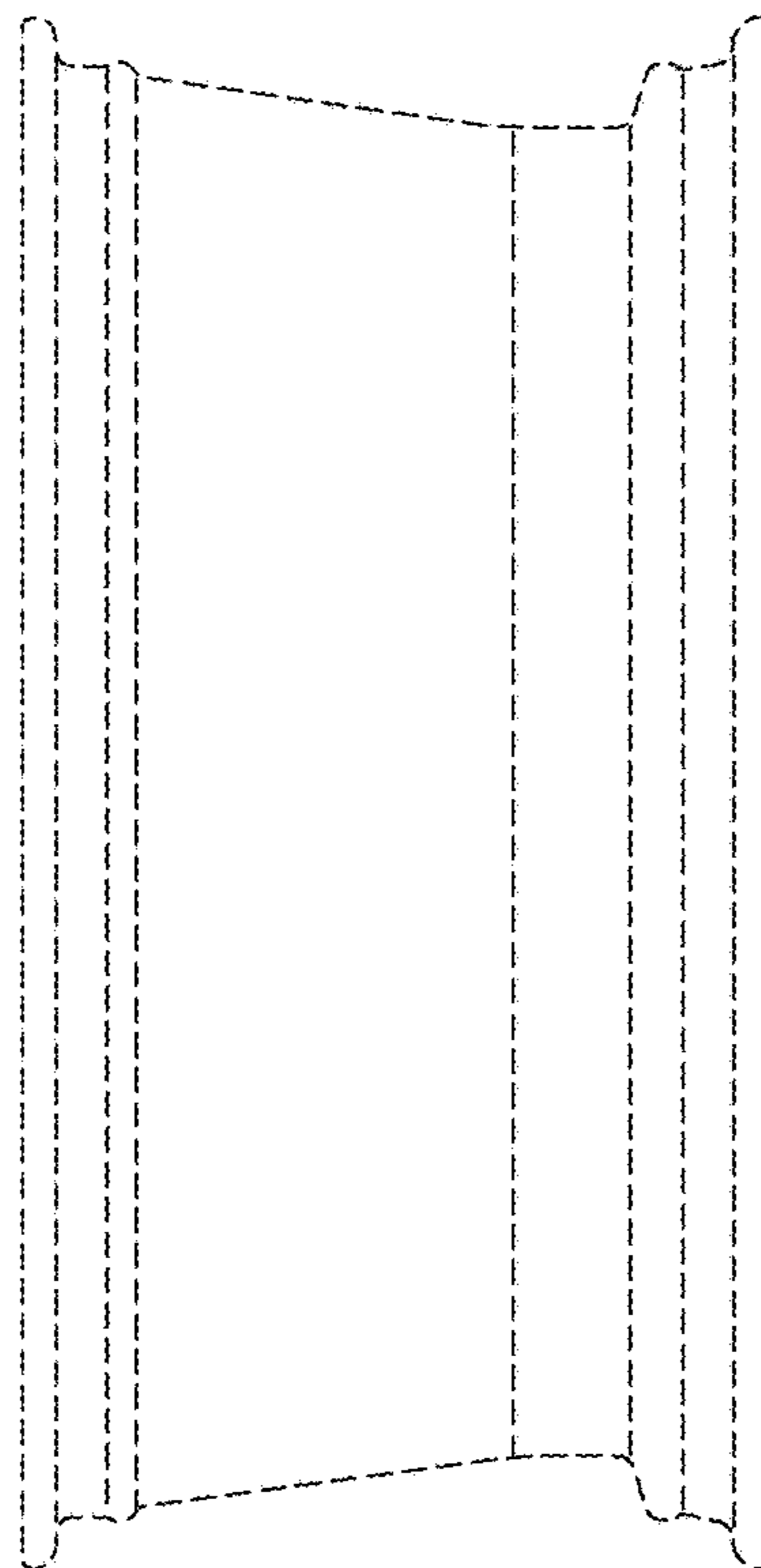


FIG. 3

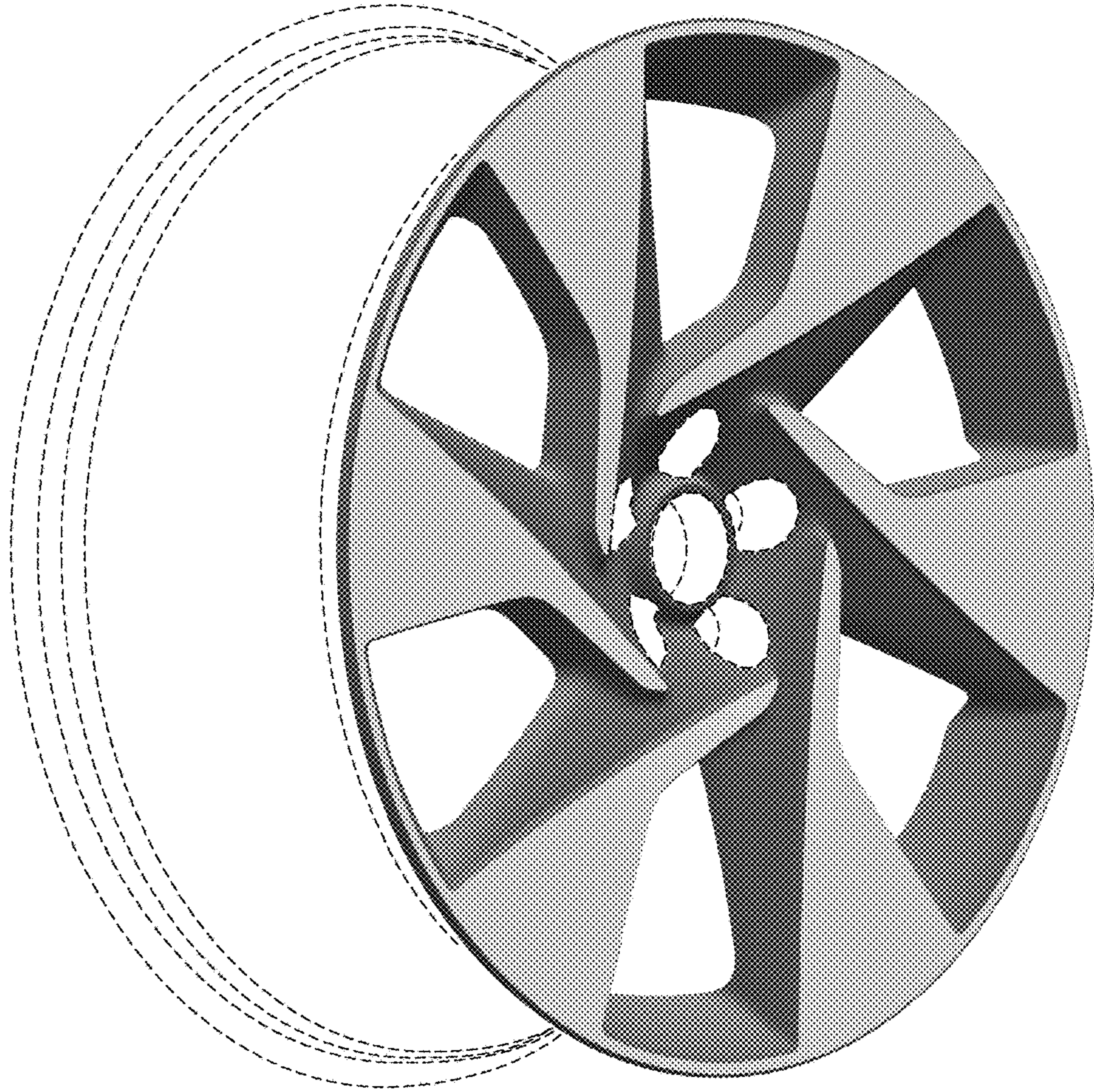


FIG. 4

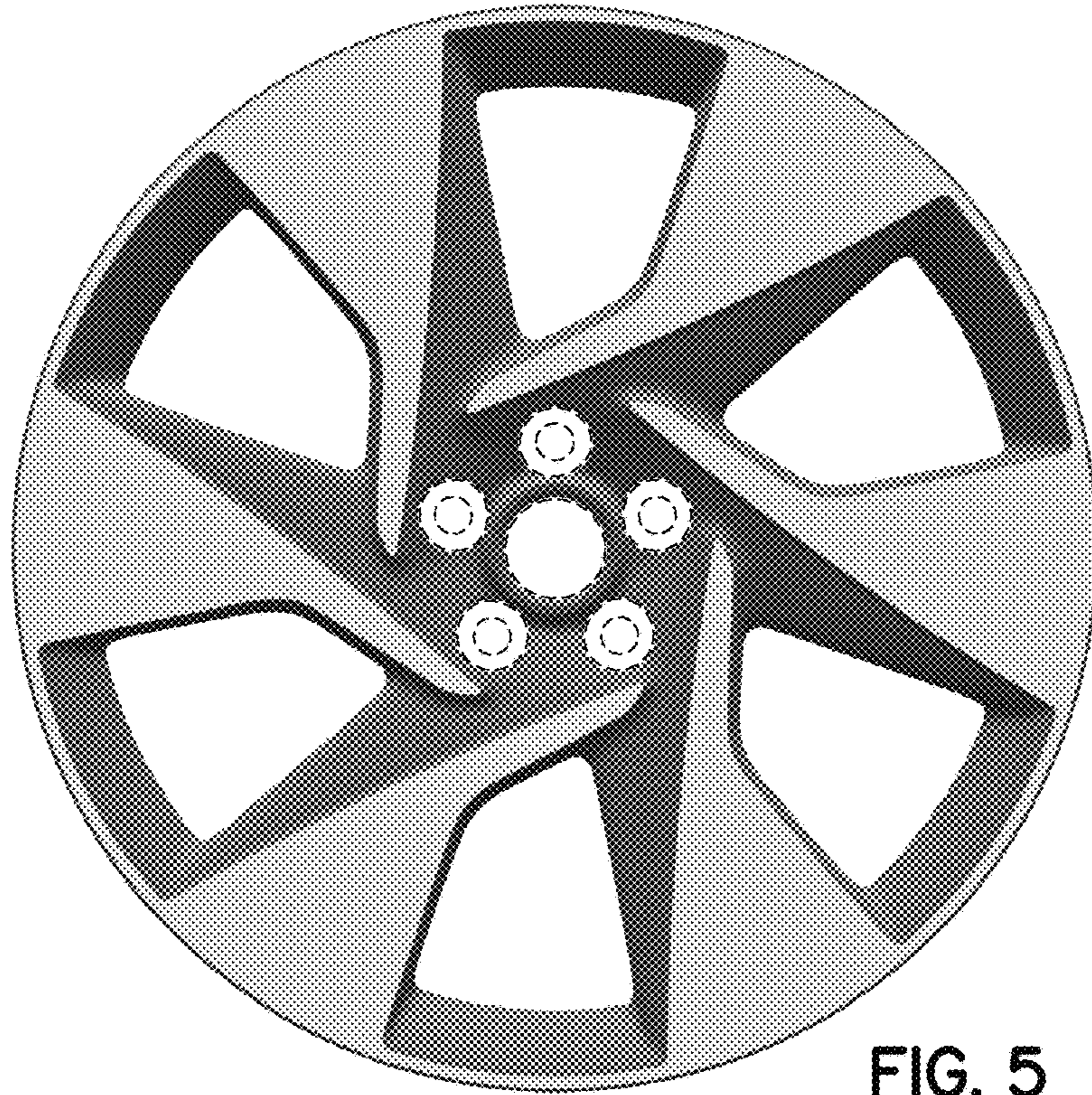


FIG. 5

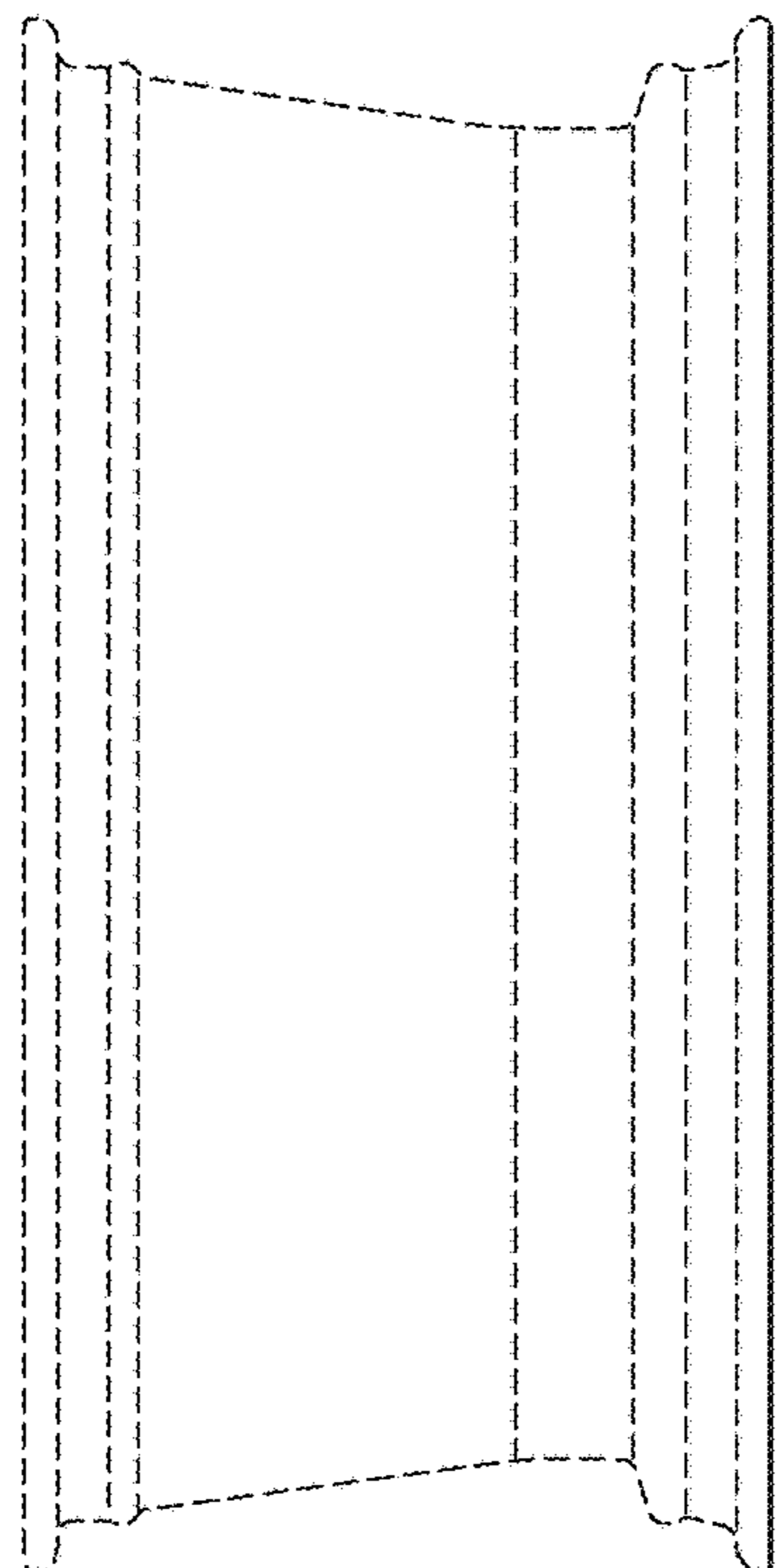


FIG. 6