



US00D848336S

(12) **United States Design Patent** (10) **Patent No.:** **US D848,336 S**
Holly (45) **Date of Patent:** **** May 14, 2019**

- (54) **WHEEL FOR AN AUTOMOBILE**
- (71) Applicant: **Subaru Corporation**, Tokyo (JP)
- (72) Inventor: **Josh Holly**, Tustin, CA (US)
- (73) Assignee: **Subaru Corporation**, Tokyo (JP)
- (**) Term: **15 Years**
- (21) Appl. No.: **29/623,819**
- (22) Filed: **Oct. 27, 2017**
- (51) **LOC (11) Cl.** **12-16**
- (52) **U.S. Cl.**
USPC **D12/209**
- (58) **Field of Classification Search**
USPC D12/204–213; D21/533, 561, 563
CPC B60B 7/00; B60B 7/02; B60B 7/04; B60B 7/06; B60B 3/02; B60B 3/04; B60B 3/06; B60B 3/10; B60B 1/00; B60B 1/08; B60B 1/10; B60B 1/12
See application file for complete search history.

- (56) **References Cited**
U.S. PATENT DOCUMENTS
D590,322 S * 4/2009 Rak D12/211
D685,710 S * 7/2013 Hanaoka D12/204
D723,989 S * 3/2015 Morikawa D12/209
D733,023 S * 6/2015 Ferrett D12/209
D763,159 S * 8/2016 Valencia Pollex D12/209
D768,553 S * 10/2016 Ishii D12/209

- D781,765 S * 3/2017 Bjerke D12/209
- D792,306 S * 7/2017 Ishigaki D12/209
- D795,778 S * 8/2017 Valencia Pollex D12/211
- D798,213 S * 9/2017 Valencia Pollex D12/209
- D798,216 S * 9/2017 Snyder D12/211
- D815,009 S * 4/2018 Valencia Pollex D12/209
- D828,266 S * 9/2018 Garcia D12/209
- D828,269 S * 9/2018 Kikuchi D12/209
- D830,939 S * 10/2018 Ma D12/211
- D832,179 S * 10/2018 Behmer D12/211

* cited by examiner
Primary Examiner — Sheryl Lane
Assistant Examiner — Calvin E Vansant
(74) *Attorney, Agent, or Firm* — Schiff Hardin LLP

(57) **CLAIM**
I claim the ornamental design for a wheel for an automobile, thereof, as shown and described.

DESCRIPTION
FIG. 1 is a front perspective view for a “wheel for an automobile” showing my new design, FIG. 2 is a rear perspective view thereof, FIG. 3 is a front view thereof, FIG. 4 is a rear view thereof, FIG. 5 is a top view thereof, FIG. 6 is a bottom view thereof, FIG. 7 is a left-side view thereof; and, FIG. 8 is a right-side view thereof.

1 Claim, 6 Drawing Sheets

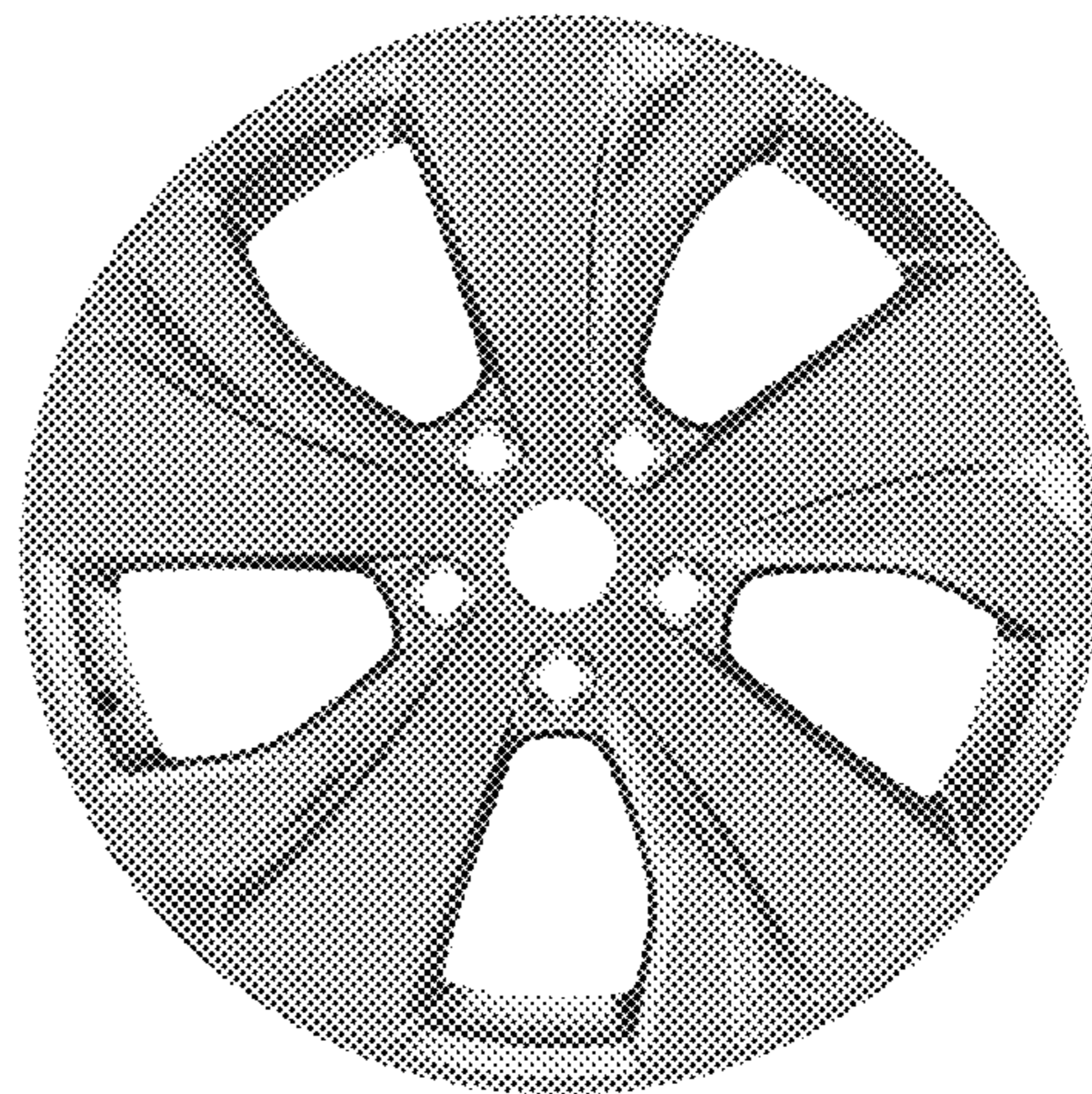
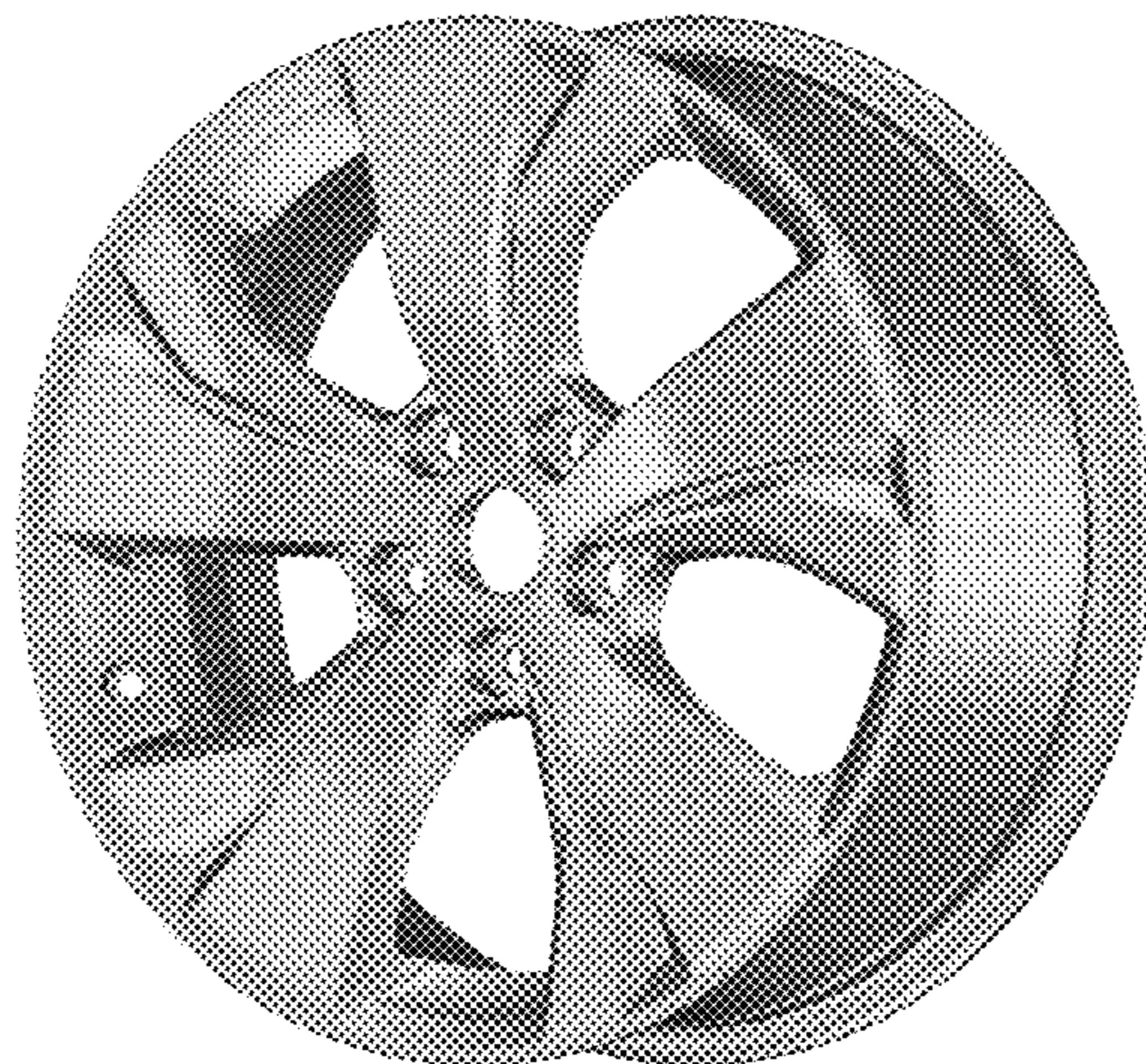


Fig. 1



Fig. 2



Fig. 3

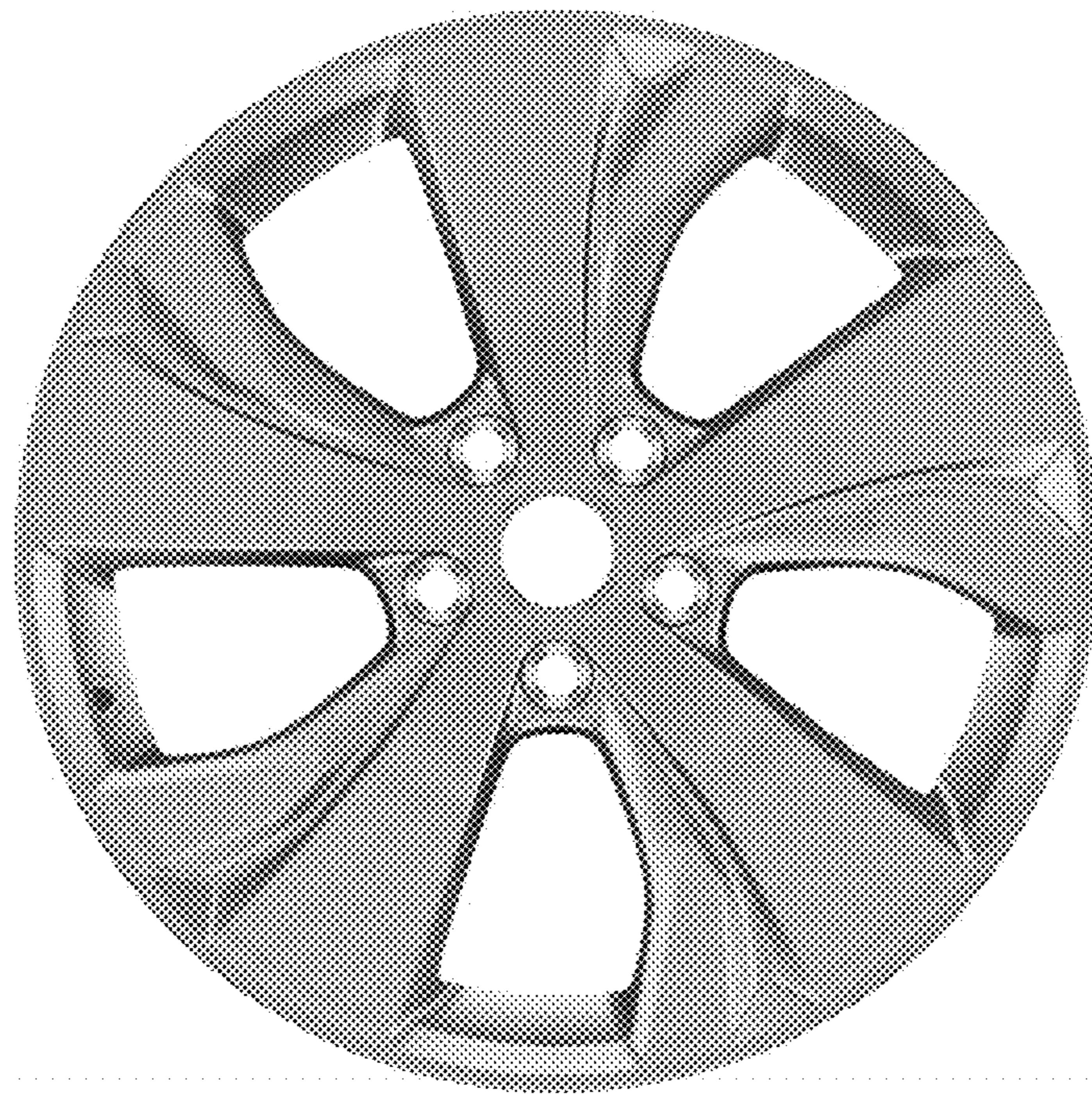


Fig. 4



Fig. 5

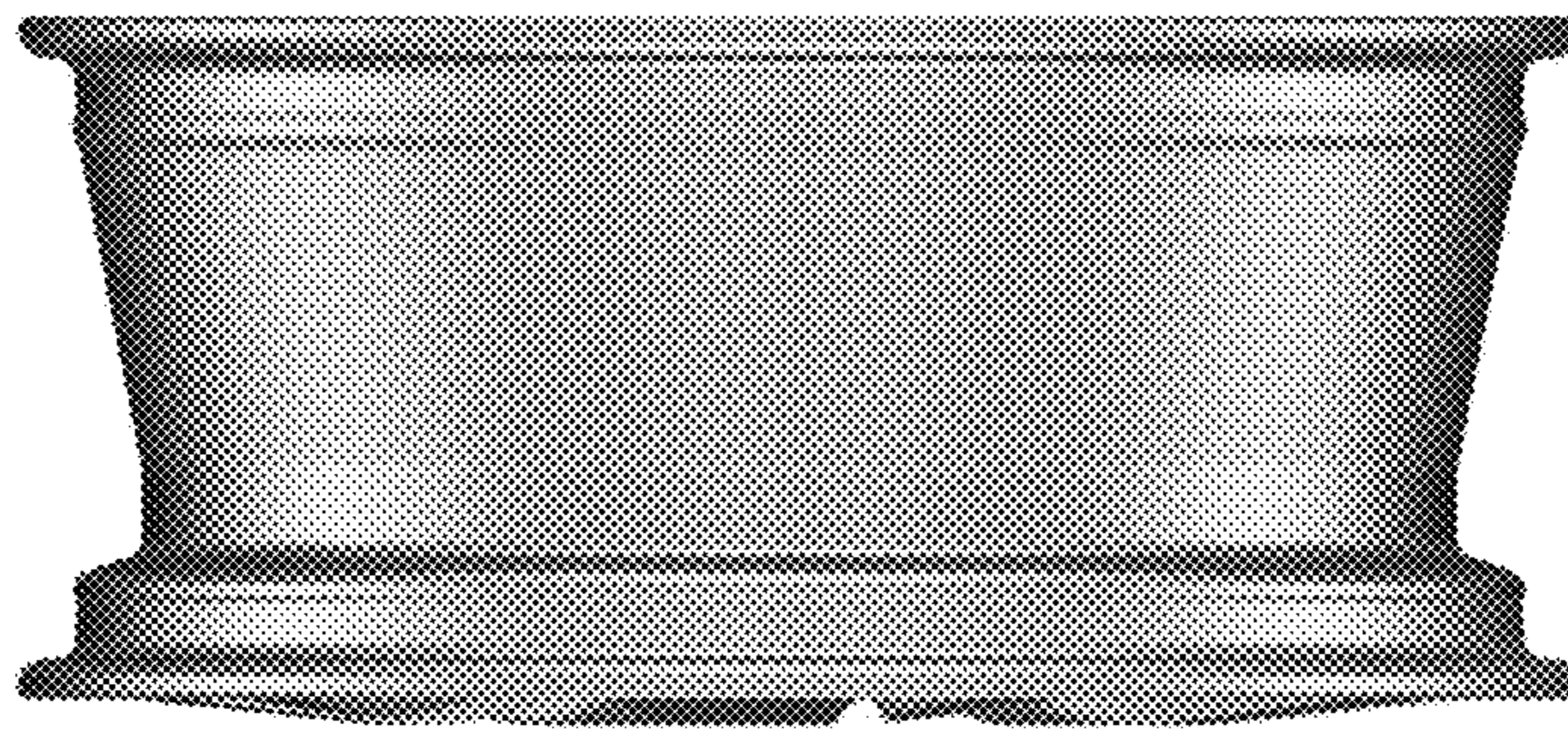


Fig. 6

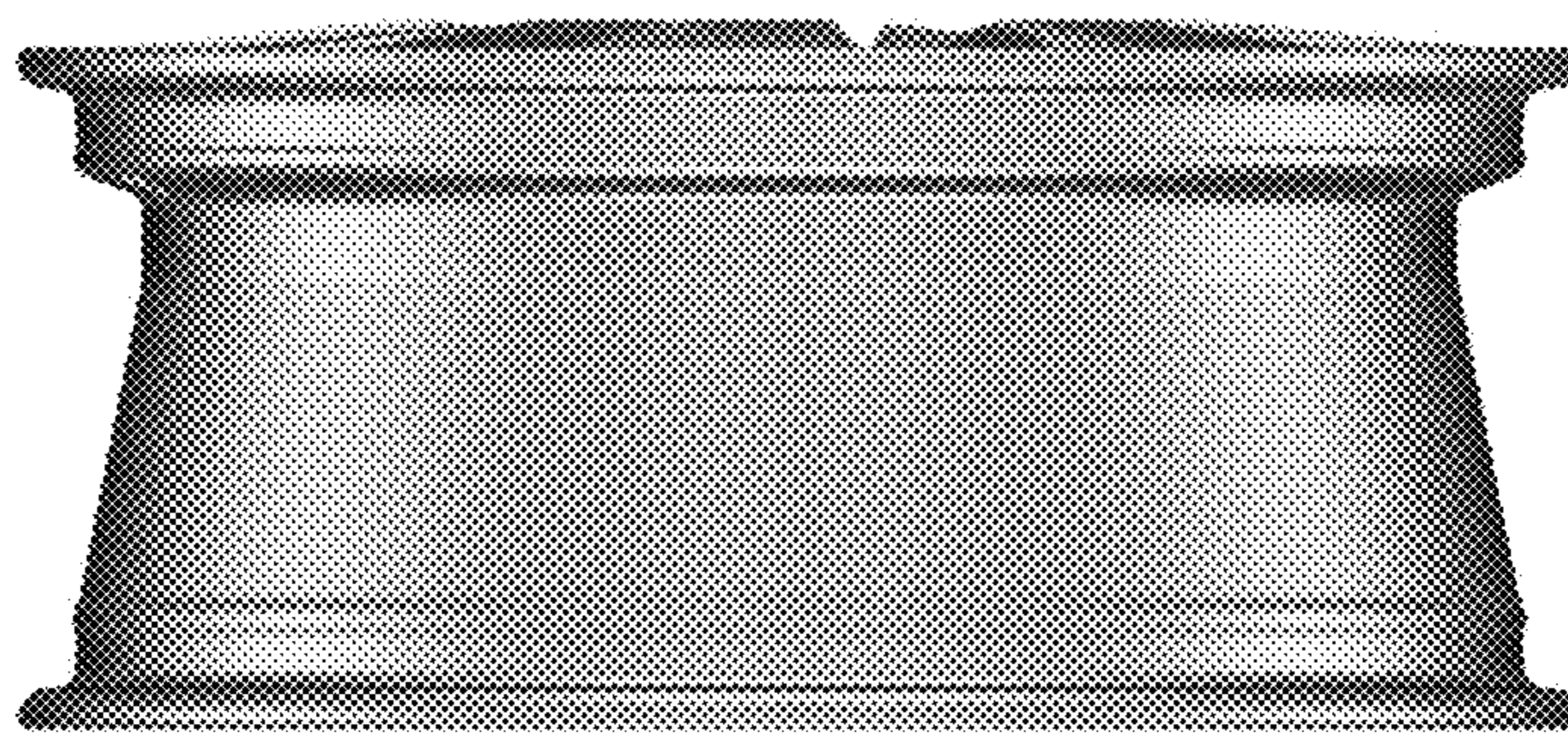


Fig. 7

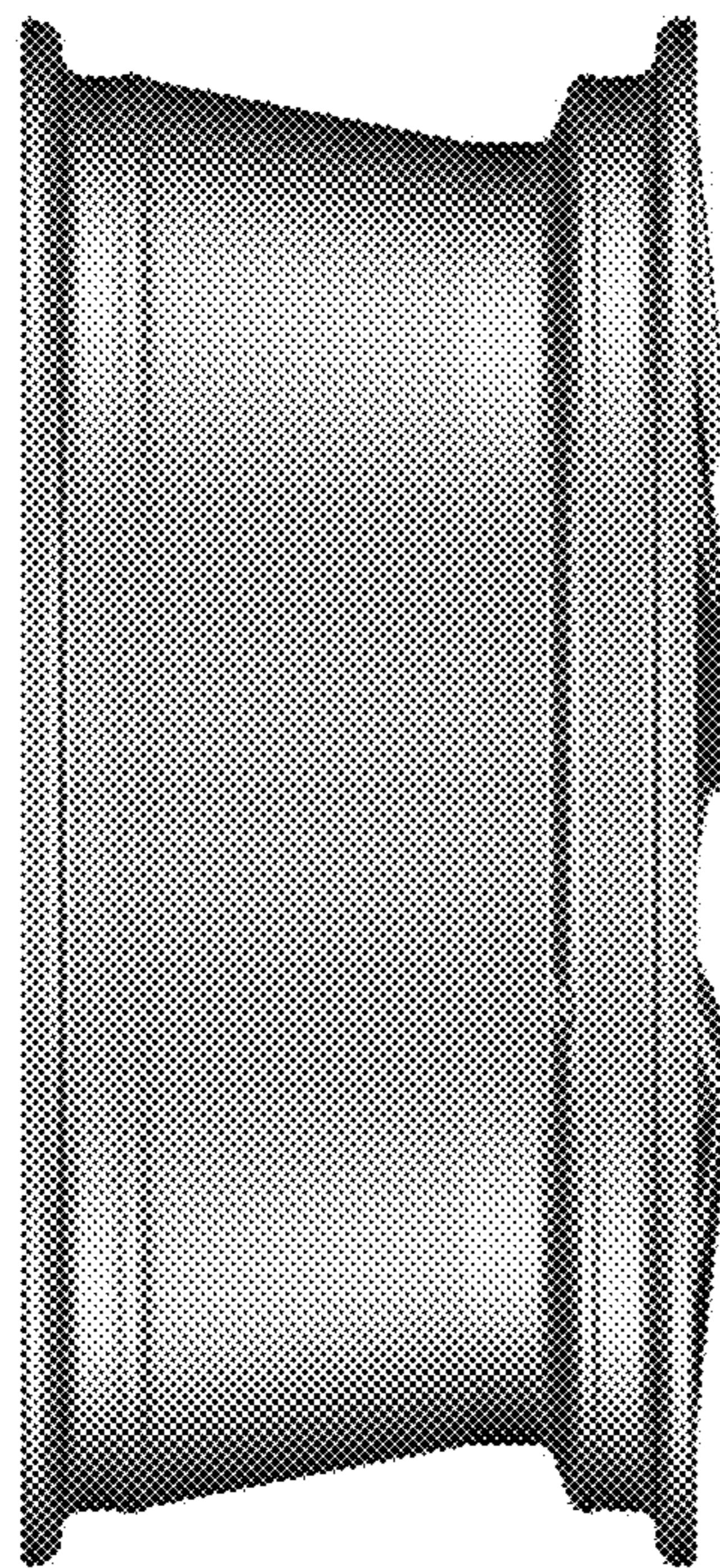


Fig. 8

