



US00D848334S

(12) **United States Design Patent** (10) **Patent No.:** **US D848,334 S**  
**Tomasson et al.** (45) **Date of Patent:** **\*\* \*May 14, 2019**

(54) **RIGHT VEHICLE SIDE DOOR**  
(71) Applicant: **Nio Nextev Limited**, Hong Kong (HK)  
(72) Inventors: **Kris Tomasson**, Hong Kong (HK); **Juho Suh**, Hong Kong (HK); **Jim Baste**, Hong Kong (HK); **Salvatore Aita**, Hong Kong (HK); **Vasiliy Kurkov**, Hong Kong (HK); **Soowan Park**, Hong Kong (HK)  
(73) Assignee: **NIO NEXTEV LIMITED**, Hong Kong (HK)  
(\* ) Notice: This patent is subject to a terminal disclaimer.  
(\*\*) Term: **15 Years**  
(21) Appl. No.: **29/616,476**  
(22) Filed: **Sep. 6, 2017**

(30) **Foreign Application Priority Data**  
Apr. 10, 2017 (CN) ..... 2017 3 0115899  
(51) **LOC (11) Cl.** ..... **12-16**  
(52) **U.S. Cl.**  
USPC ..... **D12/196**  
(58) **Field of Classification Search**  
USPC ..... D12/190, 193, 195, 196, 414  
CPC ..... E05B 81/56; E05B 81/80; E05B 65/00;  
E05B 65/06; E05B 65/10; E05B 65/12;  
E05B 79/06; B60J 5/04  
See application file for complete search history.

(56) **References Cited**  
U.S. PATENT DOCUMENTS  
D468,675 S \* 1/2003 Murkett ..... D12/196  
D558,113 S \* 12/2007 Leclercq ..... D12/196  
D573,522 S \* 7/2008 Sato ..... D12/196

D580,332 S \* 11/2008 Gueler ..... D12/196  
D583,288 S \* 12/2008 Leclercq ..... D12/196  
D593,016 S \* 5/2009 Habib ..... D12/196  
D593,471 S \* 6/2009 Larson ..... D12/196  
D593,918 S \* 6/2009 Larson ..... D12/196  
D601,072 S \* 9/2009 Giachin ..... D12/196  
D616,348 S \* 5/2010 Rosenbohm ..... D12/195  
D620,415 S \* 7/2010 Froehlich ..... D12/196  
D629,730 S \* 12/2010 Schneider ..... D12/196  
D636,317 S \* 4/2011 Matei ..... D12/196  
D645,388 S \* 9/2011 Kumai ..... D12/196  
D653,187 S \* 1/2012 Tomatsu ..... D12/196  
D665,321 S \* 8/2012 Huet ..... D12/196  
D674,328 S \* 1/2013 Ikuma ..... D12/196  
D676,366 S \* 2/2013 Yamada ..... D12/196  
D695,178 S \* 12/2013 Tada ..... D12/196  
D695,663 S \* 12/2013 Suga ..... D12/196  
D699,654 S \* 2/2014 Okue ..... D12/196  
D700,875 S \* 3/2014 Jevremovic ..... D12/196  
D701,809 S \* 4/2014 Hildebrand ..... D12/196  
D703,123 S \* 4/2014 Hildebrand ..... D12/196  
D705,149 S \* 5/2014 Sakae ..... D12/196  
D758,270 S \* 6/2016 Zadnik ..... D12/196

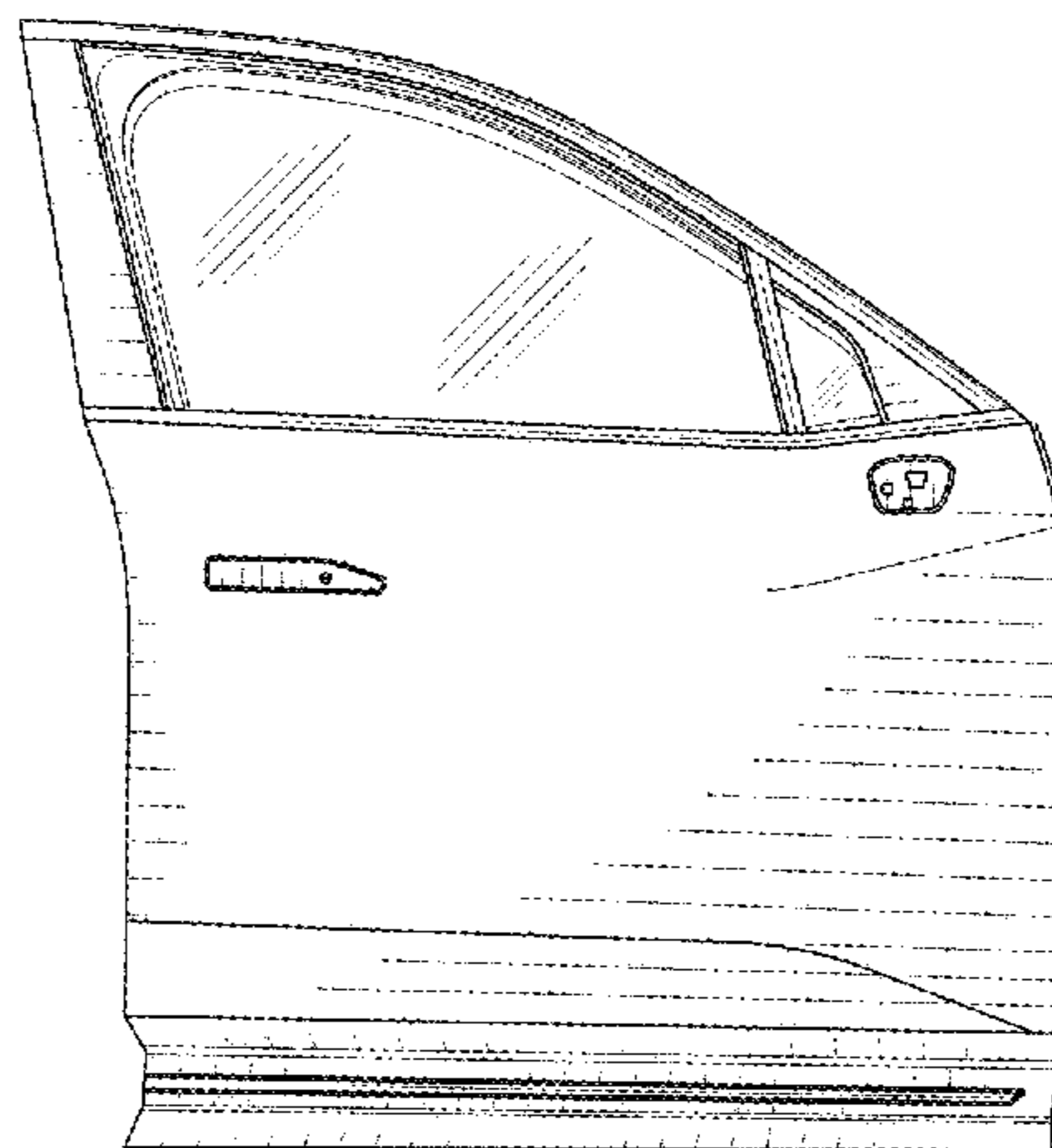
(Continued)

*Primary Examiner* — Susan Bennett Hattan  
*Assistant Examiner* — Suzanne E Tisdell  
(74) *Attorney, Agent, or Firm* — Hogan Lovells US LLP

(57) **CLAIM**  
The ornamental design for a right vehicle side door, as shown and described.

**DESCRIPTION**  
FIG. 1 is a front view thereof;  
FIG. 2 is a rear view thereof;  
FIG. 3 is a left side view thereof;  
FIG. 4 is a right side view thereof;  
FIG. 5 is a top view thereof;  
FIG. 6 is a bottom view thereof;  
FIG. 7 is a front perspective view thereof; and,  
FIG. 8 is a rear perspective view thereof.

**1 Claim, 8 Drawing Sheets**



(56)

References Cited

U.S. PATENT DOCUMENTS

D762,541 S \* 8/2016 Jo ..... D12/196  
 D763,156 S \* 8/2016 Jo ..... D12/196  
 D765,571 S \* 9/2016 Faghihzadeh ..... D12/196  
 D772,758 S \* 11/2016 Frascella ..... D12/92  
 D772,772 S \* 11/2016 Frascella ..... D12/196  
 D775,567 S \* 1/2017 Faghihzadeh ..... D12/196  
 D776,593 S \* 1/2017 Schneider ..... D12/196  
 D779,407 S \* 2/2017 Bae ..... D12/196  
 D781,194 S \* 3/2017 Bae ..... D12/196  
 D785,529 S \* 5/2017 Kyung ..... D12/196  
 D785,531 S \* 5/2017 Lim ..... D12/196  
 D786,761 S \* 5/2017 Luk ..... D12/196  
 D801,246 S \* 10/2017 Lee ..... D12/196  
 D803,121 S \* 11/2017 Granlund ..... D12/196  
 D803,122 S \* 11/2017 Granlund ..... D12/196  
 2003/0177796 A1 \* 9/2003 Dimig ..... E05B 79/06  
 70/237

2010/0301618 A1 \* 12/2010 Costigan ..... E05B 77/06  
 292/93  
 2011/0219700 A1 \* 9/2011 Grudzinski ..... B60J 10/40  
 49/493.1  
 2012/0272578 A1 \* 11/2012 Ellinghaus ..... E05D 15/101  
 49/358  
 2013/0020816 A1 \* 1/2013 Saitou ..... E05B 79/06  
 292/336.3  
 2013/0341961 A1 \* 12/2013 Mori ..... B60J 5/04  
 296/146.2  
 2016/0114658 A1 \* 4/2016 Yokota ..... B60J 10/45  
 49/489.1  
 2016/0160540 A1 \* 6/2016 Bejune ..... E05B 77/06  
 292/196  
 2016/0187107 A1 \* 6/2016 Johnston ..... F41H 7/00  
 89/36.08  
 2018/0051492 A1 \* 2/2018 Smith ..... B60J 5/04  
 2018/0051493 A1 \* 2/2018 Krishnan ..... E05B 81/56

\* cited by examiner

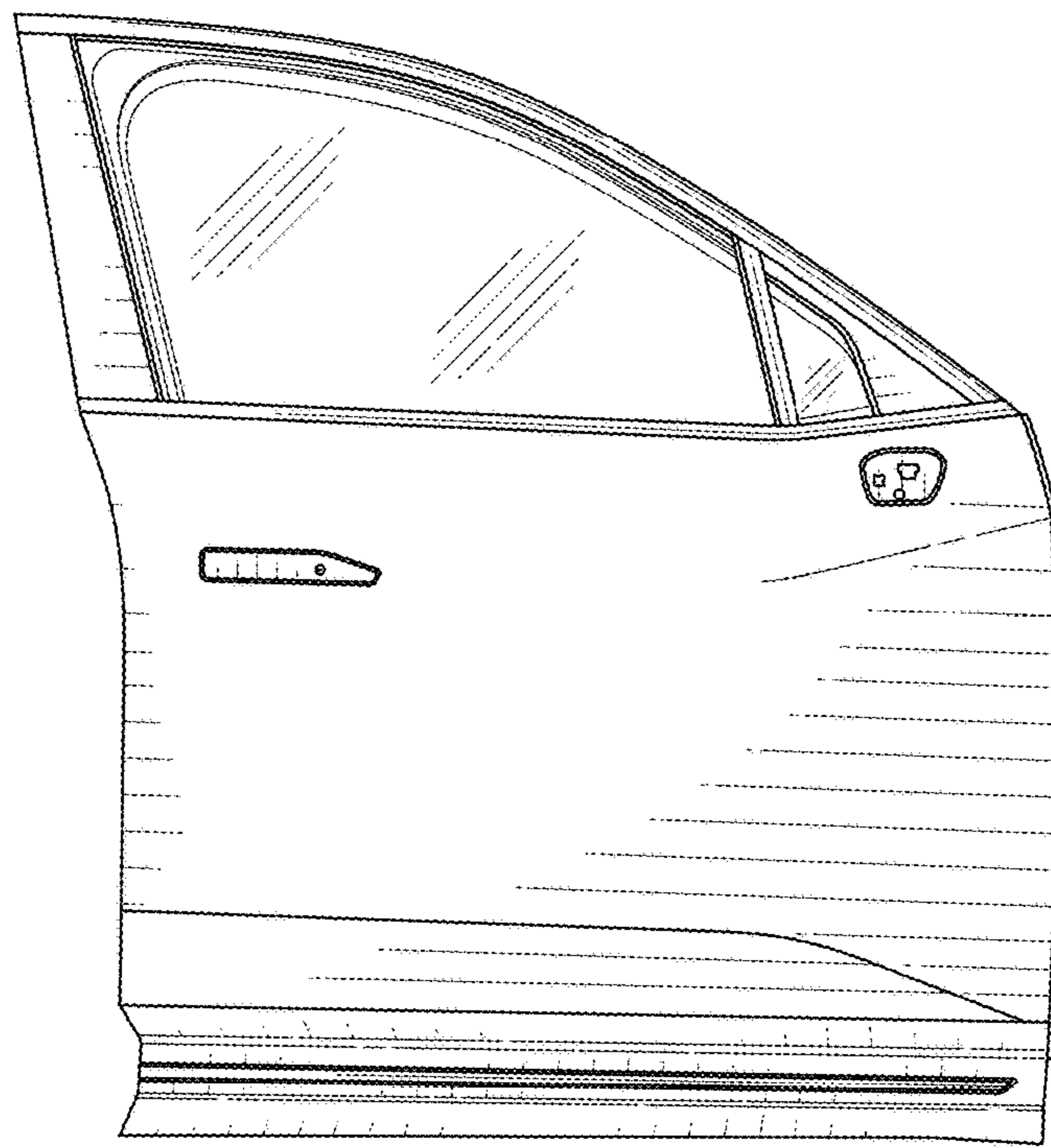


FIG. 1

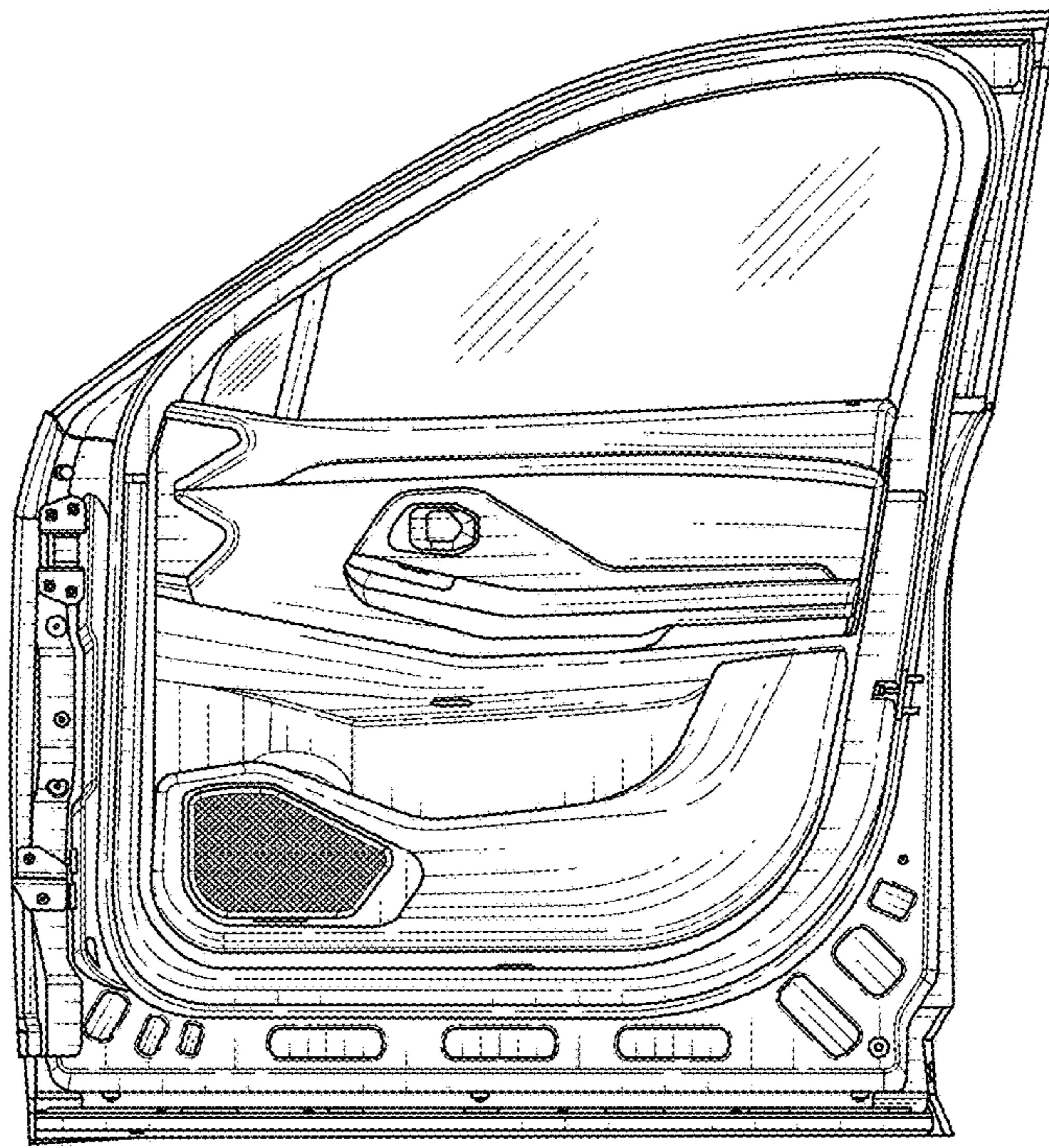


FIG. 2

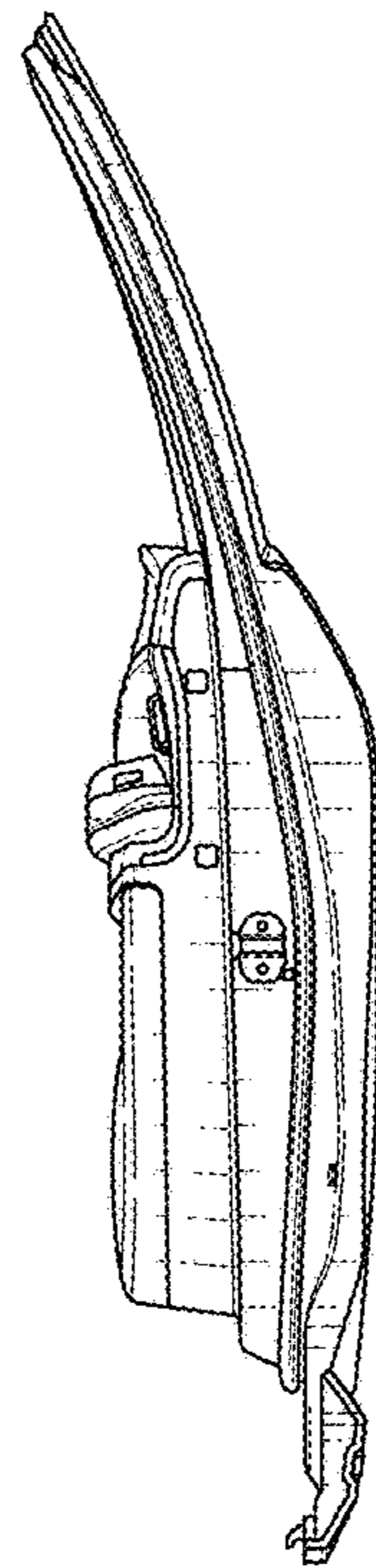


FIG. 3

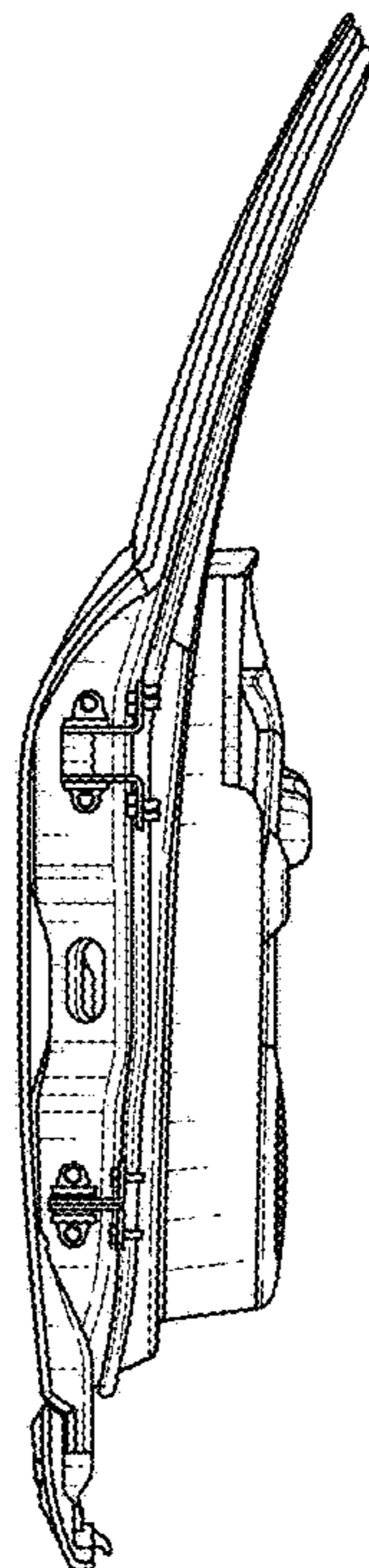


FIG. 4

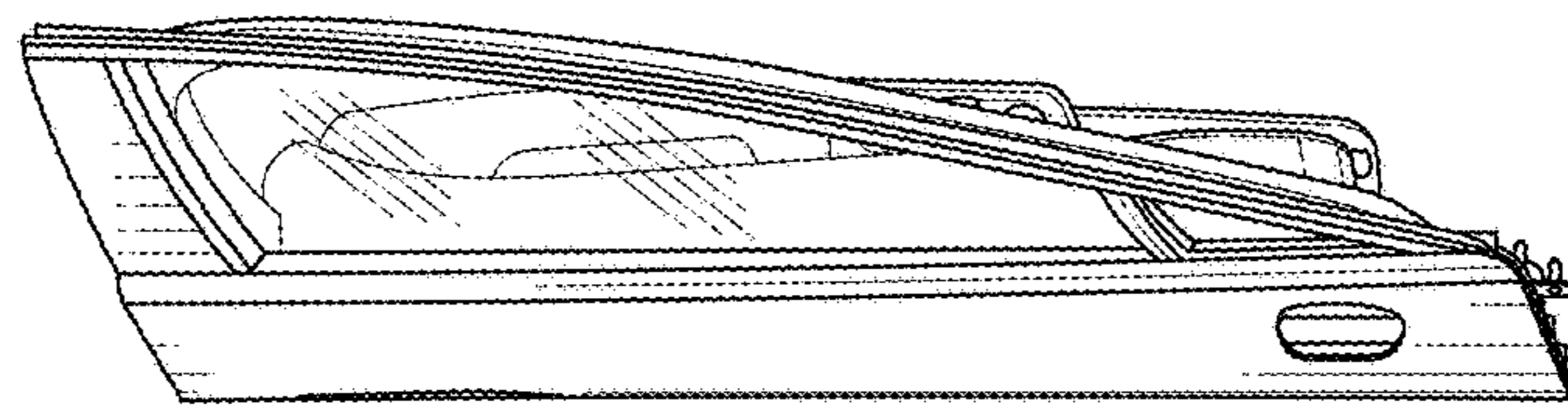


FIG. 5

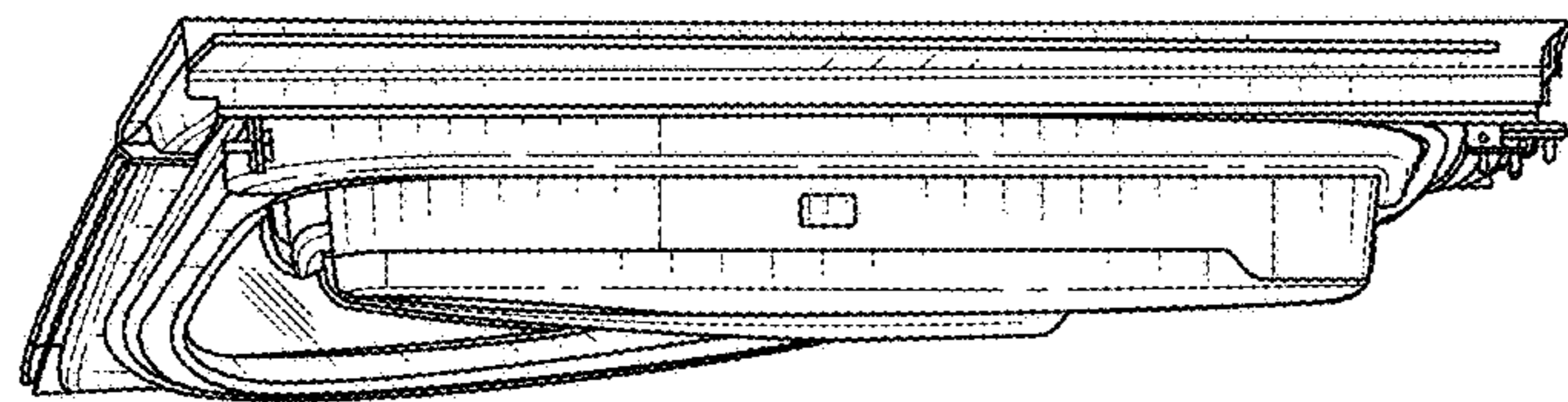


FIG. 6



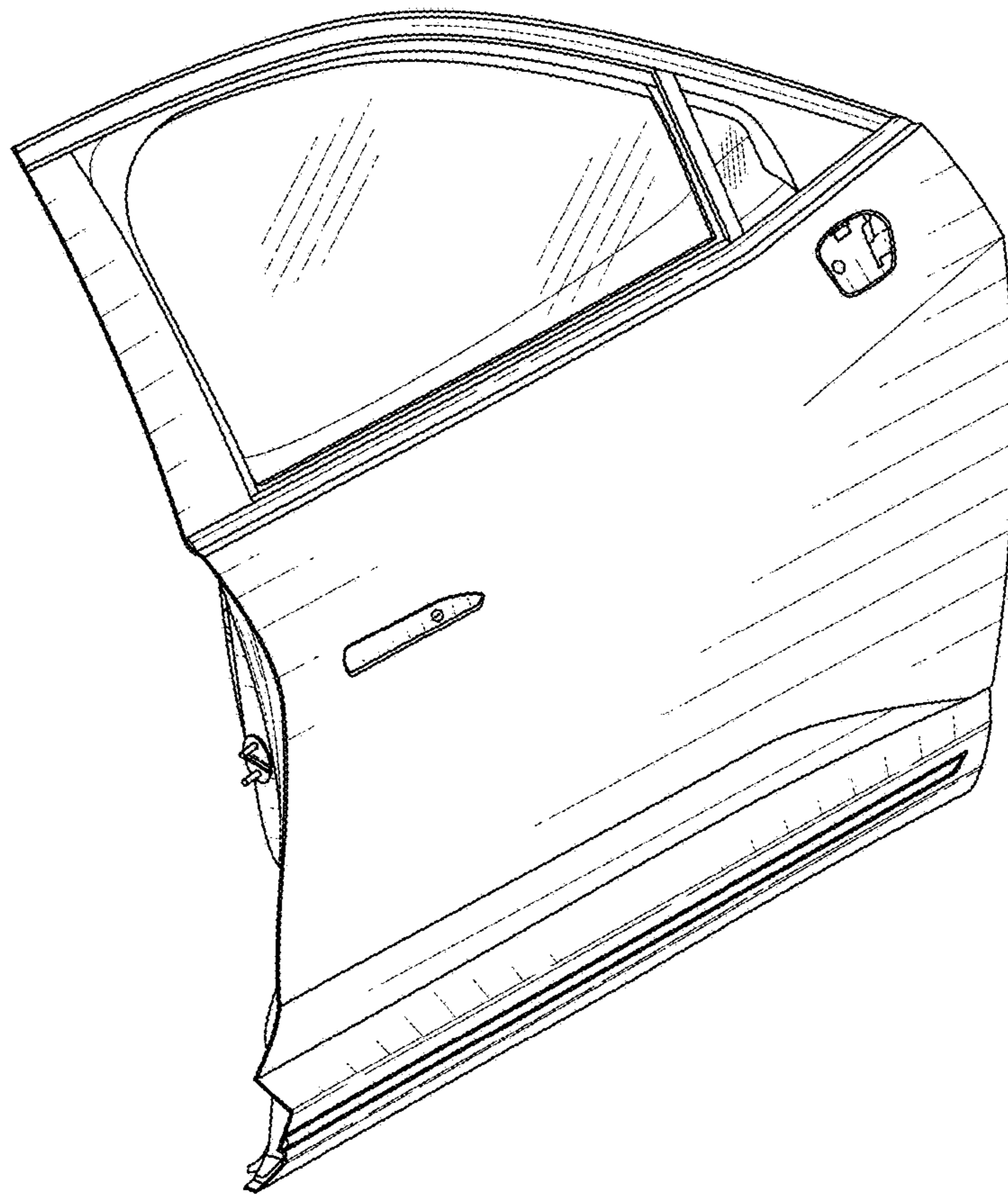


FIG. 7

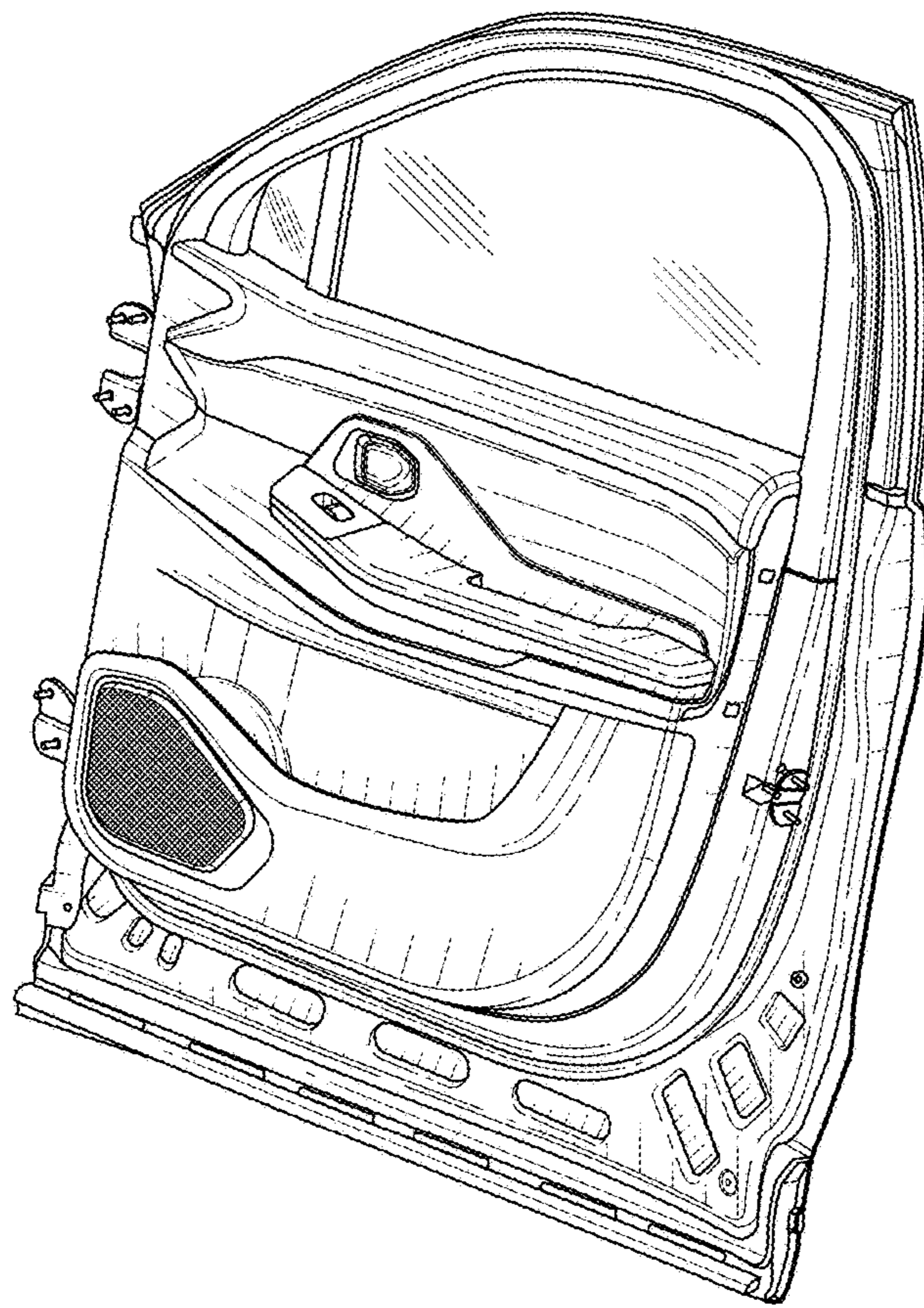


FIG. 8