



US00D848329S

(12) **United States Design Patent** (10) **Patent No.:** **US D848,329 S**
Kim (45) **Date of Patent:** **** May 14, 2019**

(54) **AUTOMOTIVE STEERING WHEEL**

(71) Applicant: **SAMSUNG DISPLAY CO., LTD.**,
Yongin-si, Gyeonggi-do (KR)

(72) Inventor: **Min Soo Kim**, Seoul (KR)

(73) Assignee: **Samsung Display Co., Ltd.**, Yongin-si
(KR)

(**) Term: **15 Years**

(21) Appl. No.: **29/576,343**

(22) Filed: **Sep. 1, 2016**

(30) **Foreign Application Priority Data**

Mar. 3, 2016 (KR) 30-2016-0009817

(51) **LOC (11) Cl.** **12-16**

(52) **U.S. Cl.**
USPC **D12/177**

(58) **Field of Classification Search**
USPC D12/177, 176, 175, 197, 400; D6/641,
D6/692, 692.1, 692.2; D8/389; D7/367;
D9/504
CPC B60R 21/2165; B60R 21/2155; B60R
21/203; B60R 21/215; C23C 14/50;
A63H 3/38; B62D 1/065; B62D 1/046
See application file for complete search history.

(56) **References Cited**

U.S. PATENT DOCUMENTS

- 4,978,567 A * 12/1990 Miller C23C 14/50
117/900
- 5,004,443 A * 4/1991 Su A63H 3/38
446/392
- D400,741 S * 11/1998 Schubert D6/692
- D409,962 S * 5/1999 Demont D12/177
- D434,086 S 11/2000 Ford
- D480,668 S 10/2003 Ohm et al.
- D491,013 S * 6/2004 Yang D7/367

- D493,099 S * 7/2004 Nebesnak D8/389
- D511,485 S * 11/2005 Juraschek D12/176
- D558,106 S * 12/2007 Prost-Fin D12/176
- D581,809 S * 12/2008 Wichowski D9/504
- D587,176 S 2/2009 Yang et al.
- D592,956 S * 5/2009 Thiellier D28/82
- D602,096 S 10/2009 Ashida et al.

(Continued)

FOREIGN PATENT DOCUMENTS

- JP D1490386 S 1/2014
- JP D1490598 S 1/2014

OTHER PUBLICATIONS

U.S. Notice of Allowance dated May 22, 2017, issued in cross-reference U.S. Appl. No. 29/576,346 (9 pages).

(Continued)

Primary Examiner — Susan E Krakower

Assistant Examiner — Jerry Shiuan-Hua Hsu

(74) *Attorney, Agent, or Firm* — Lewis Roca Rothgerber
Christie LLP

(57) **CLAIM**

The ornamental design for automotive steering wheel, as shown and described.

DESCRIPTION

FIG. 1 is a perspective view of an automotive steering wheel;

FIG. 2 is a front view thereof;

FIG. 3 is a rear view thereof;

FIG. 4 is a left side view thereof;

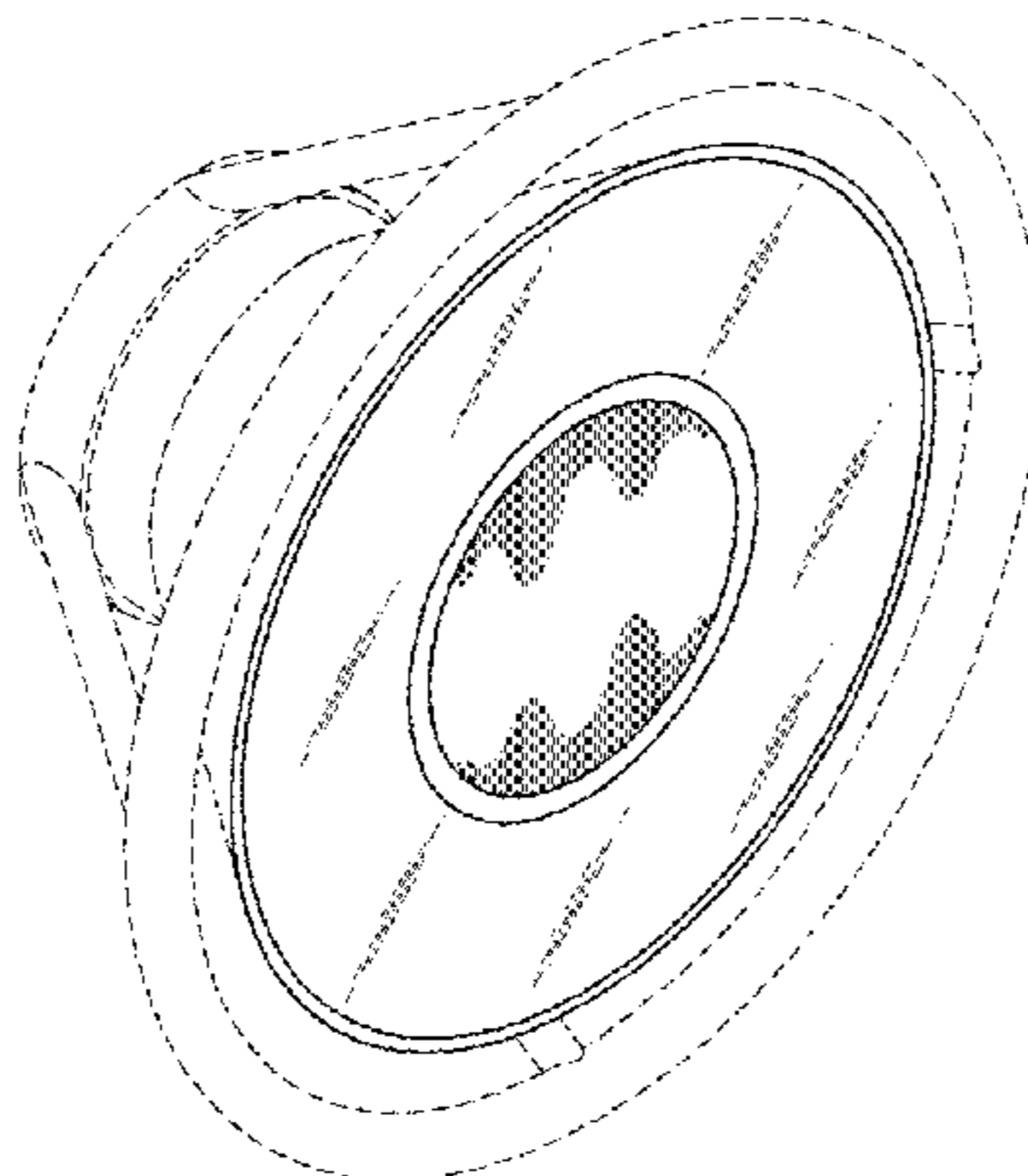
FIG. 5 is a right side view thereof;

FIG. 6 is a top view thereof; and,

FIG. 7 is a bottom view thereof.

The broken lines shown in the drawings illustrate portions of the automotive steering wheel that form no part of the claimed design.

1 Claim, 7 Drawing Sheets



(56)

References Cited

U.S. PATENT DOCUMENTS

D626,478 S * 11/2010 Stephenson D12/176
 D627,693 S * 11/2010 Pohanka D12/176
 D630,983 S 1/2011 Frank et al.
 D636,711 S 4/2011 Anzi
 D644,580 S 9/2011 Markowitz et al.
 D647,441 S 10/2011 Anzi
 D649,095 S 11/2011 Frank et al.
 D663,244 S 7/2012 Won et al.
 D671,464 S 11/2012 Baccus et al.
 8,459,713 B2 * 6/2013 Sella B60R 21/215
 280/728.3
 D696,992 S 1/2014 Pohanka et al.
 D697,851 S 1/2014 Woo et al.
 D703,594 S 4/2014 Kim et al.
 D704,108 S 5/2014 Frank et al.
 D716,203 S 10/2014 Nakai
 D723,448 S 3/2015 Woo et al.
 D740,029 S * 10/2015 Otto D3/302
 D741,759 S 10/2015 Persson et al.
 D743,858 S 11/2015 Sugiura
 D743,860 S 11/2015 Nagumo
 D758,932 S 6/2016 Schowalter
 D758,933 S 6/2016 Owaku
 D760,134 S * 6/2016 Montousse D12/176
 D768,520 S 10/2016 Lisseman
 D768,521 S 10/2016 Lisseman
 D770,342 S 11/2016 Pohanka
 D772,124 S 11/2016 Lee et al.
 D773,359 S * 12/2016 Okuyama D12/176

D775,563 S 1/2017 Shan
 D776,584 S 1/2017 Meissner et al.
 D784,871 S 4/2017 Lee et al.
 D785,637 S 5/2017 Hennings et al.
 9,650,009 B2 * 5/2017 Bana Castro B60R 21/203
 D791,499 S * 7/2017 Hales D6/536
 D798,205 S * 9/2017 Kim D12/176
 D801,738 S * 11/2017 Almaghlouth D6/692
 D801,894 S * 11/2017 Kasano D12/176
 D816,001 S * 4/2018 Kim D12/177
 D820,178 S * 6/2018 Kim D12/177
 2008/0079241 A1 4/2008 Fujimori et al.
 2009/0314128 A1 * 12/2009 Rick B62D 1/065
 74/558
 2013/0133468 A1 5/2013 Rancan
 2013/0277952 A1 * 10/2013 Jung B60R 21/2165
 280/728.3
 2015/0203143 A1 * 7/2015 Wall B62D 1/046
 74/491
 2016/0159396 A1 6/2016 Watanabe et al.

OTHER PUBLICATIONS

U.S. Office Action dated Jun. 15, 2017, issued in cross-reference
 U.S. Appl. No. 29/576,344 (8 pages).
 U.S. Notice of Allowance dated Jun. 19, 2017, issued in cross-
 reference U.S. Appl. No. 29/576,342 (7 pages).
 U.S. Ex Parte-Quayle Action dated Jul. 5, 2017, issued in cross-
 reference U.S. Appl. No. 29/576,340 (9 pages).

* cited by examiner

FIG. 1

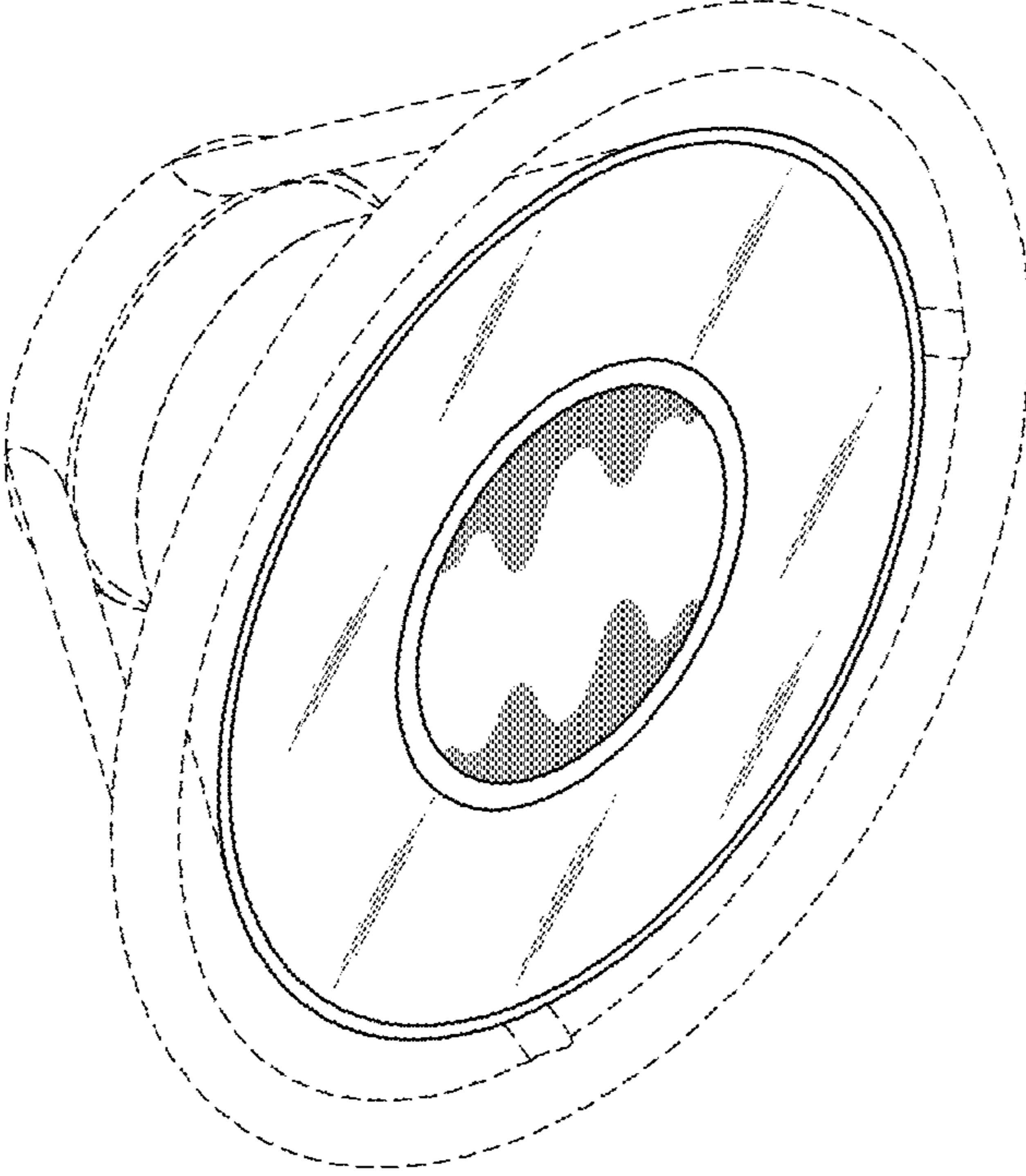


FIG. 2

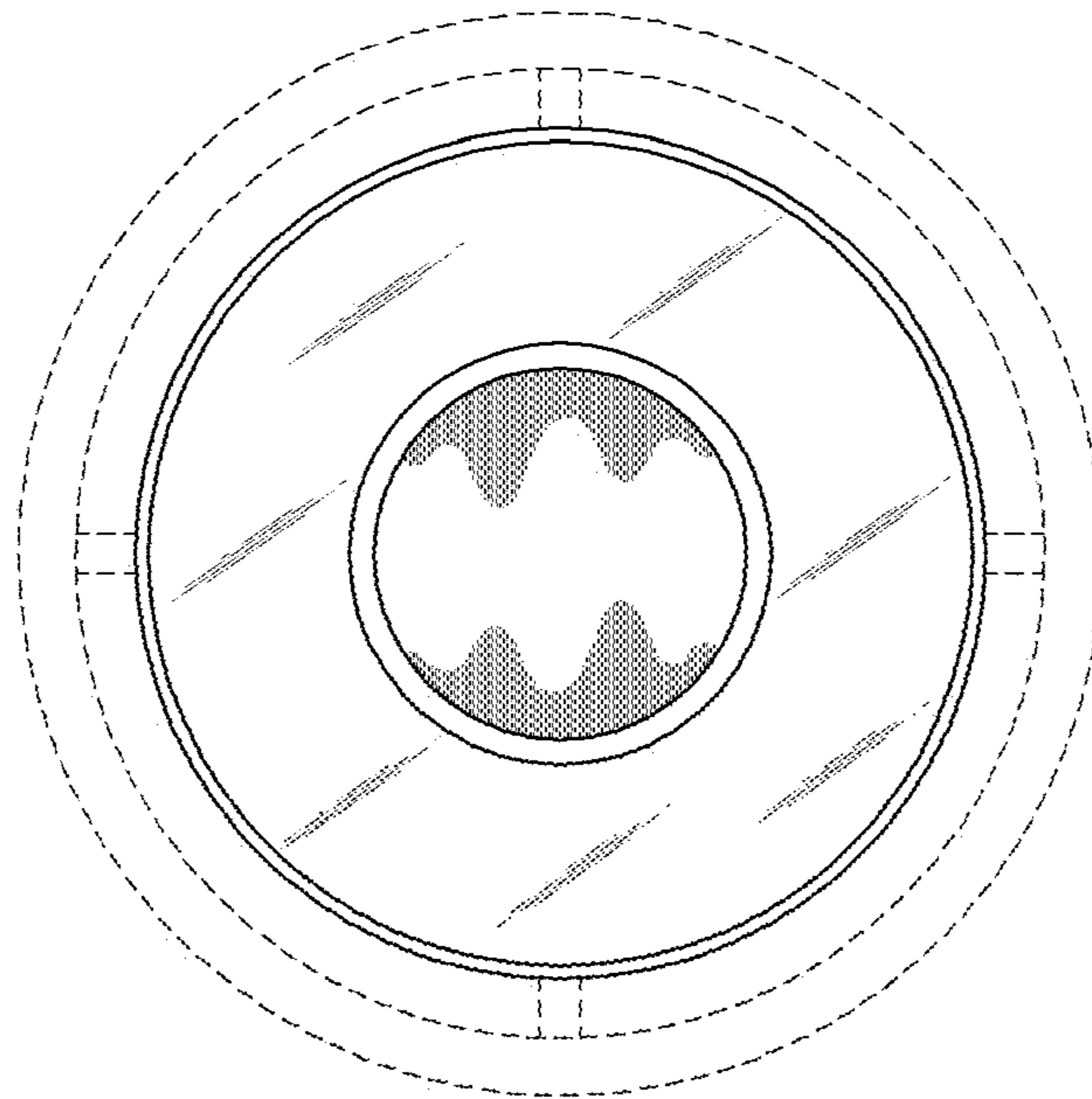


FIG. 3

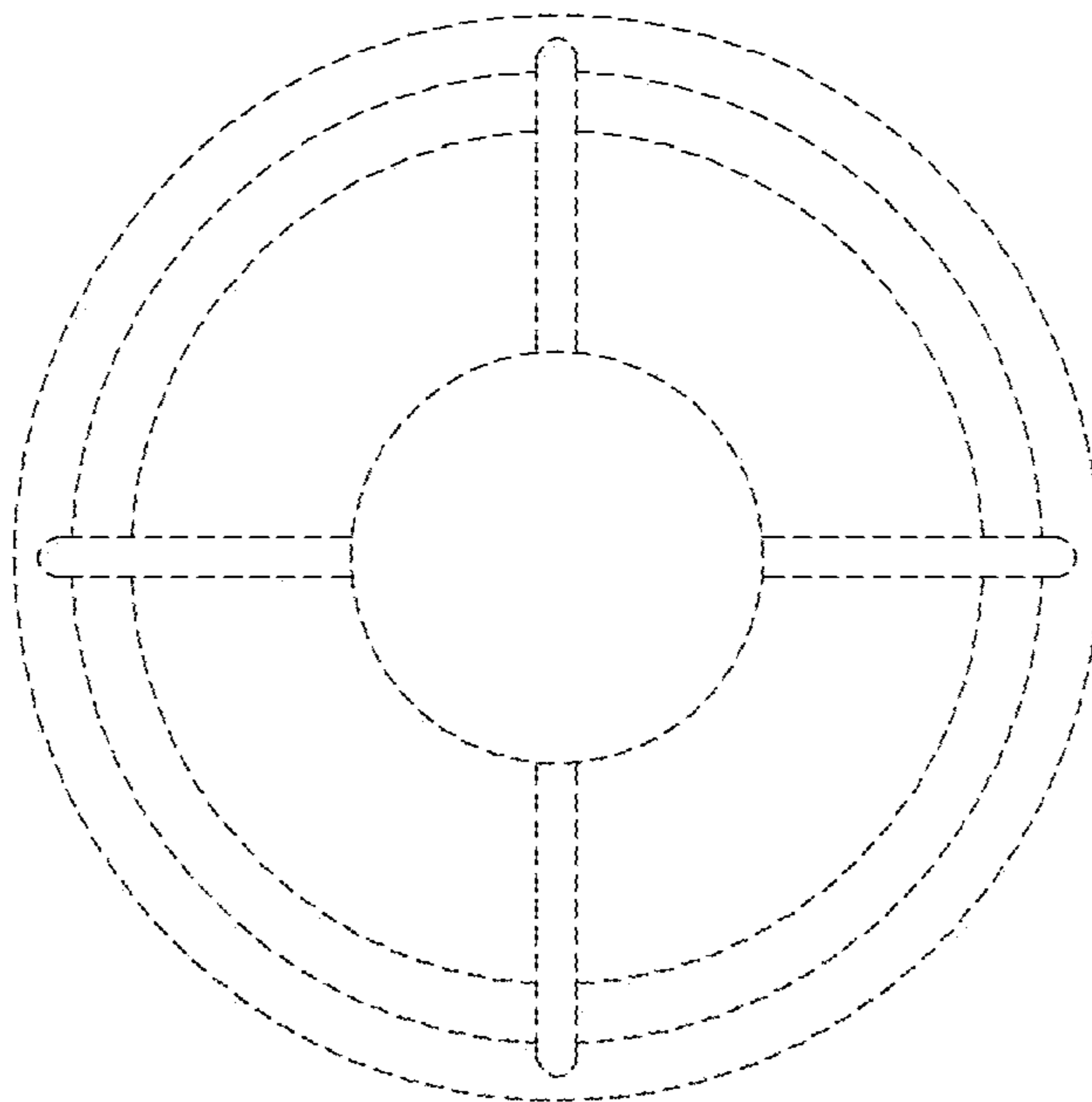


FIG. 4

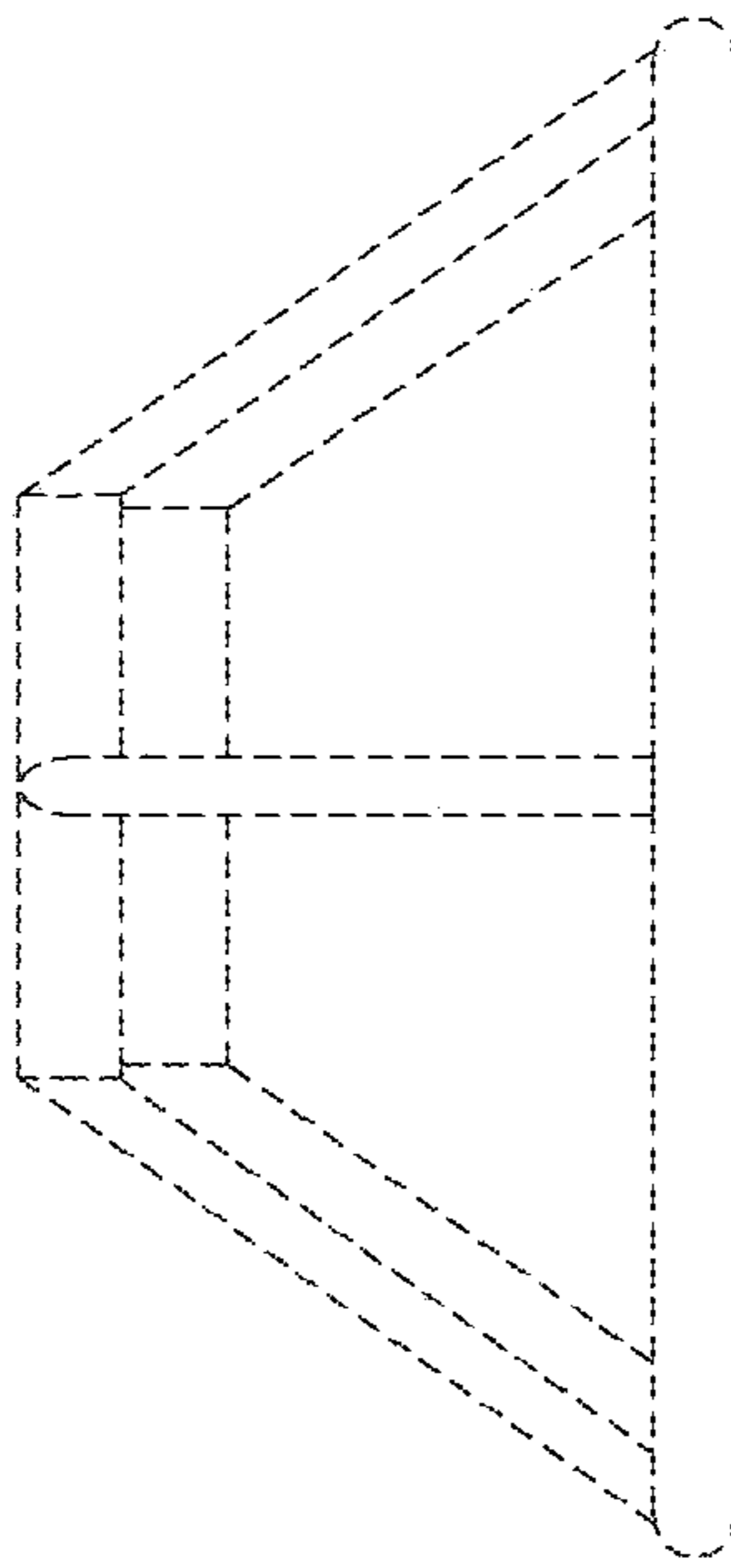


FIG. 5

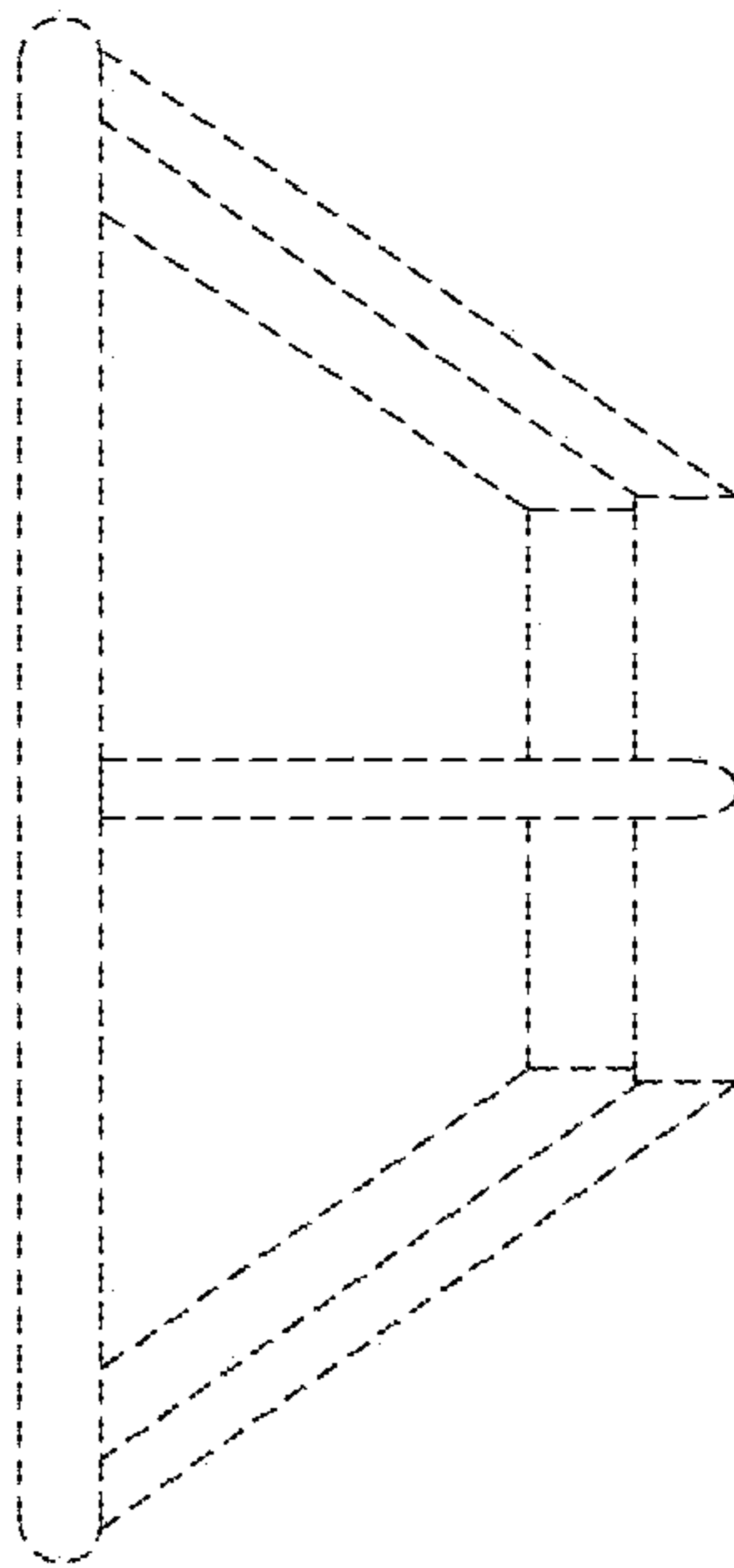


FIG. 6

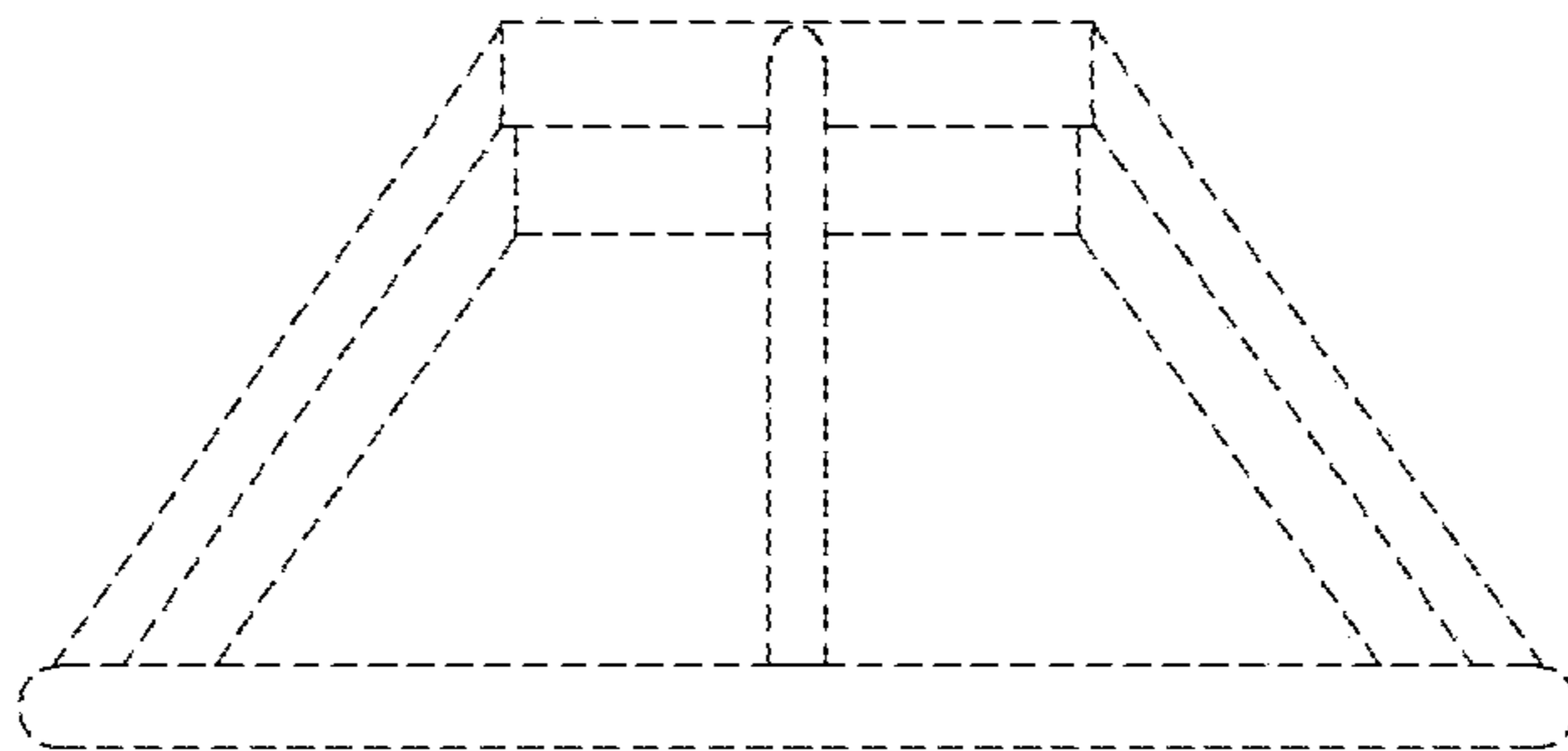


FIG. 7

