

US00D848326S

(12) **United States Design Patent** (10) **Patent No.:** **US D848,326 S**  
**Ojea** (45) **Date of Patent:** **\*\* May 14, 2019**

(54) **FRONT BUMPER FOR A VEHICLE**

D721,305 S \* 1/2015 George ..... D12/169  
D721,306 S \* 1/2015 George ..... D12/169  
D722,926 S \* 2/2015 Kato ..... D12/169

(71) Applicant: **Bayerische Motoren Werke  
Aktiengesellschaft, Munich (DE)**

(Continued)

(72) Inventor: **Jacobo Dominguez Ojea, Munich (DE)**

**FOREIGN PATENT DOCUMENTS**

(73) Assignee: **Bayerische Motoren Werke  
Aktiengesellschaft, Munich (DE)**

WO WO DM/081880 4/2014  
WO WO DM/084038 1/2015  
WO WO DM/088022 4/2016

(\*\*) Term: **15 Years**

*Primary Examiner* — Susan Bennett Hattan  
*Assistant Examiner* — Suzanne E Tisdell

(21) Appl. No.: **29/624,723**

(74) *Attorney, Agent, or Firm* — Crowell & Moring LLP

(22) Filed: **Nov. 3, 2017**

(57) **CLAIM**

The ornamental design for a front bumper for a vehicle, as shown and described.

(30) **Foreign Application Priority Data**

**DESCRIPTION**

May 10, 2017 (DE) ..... 40 2017 100 574

(51) **LOC (11) Cl.** ..... **12-16**

(52) **U.S. Cl.**  
USPC ..... **D12/169**

(58) **Field of Classification Search**  
USPC ..... D12/86, 90, 91, 92, 163, 169, 171, 196,  
D12/216

CPC ..... B60R 19/02; B60R 19/04; B62D 25/00;  
B62D 25/06; B62D 25/08; B62D 35/00

See application file for complete search history.

This application contains subject matter related to the following co-pending U.S. design patent applications:

Application Ser. No. 29/579,110, filed Sep. 28, 2016 and entitled "Front Bumper for a Vehicle";

Application Ser. No. 29/607,496, filed Jun. 14, 2017 and entitled "Front Bumper for a Vehicle";

Application Ser. No. 29/624,716, filed herewith and entitled "Vehicle, Toy, and/or Replicas Thereof";

Application Ser. No. 29/624,718, filed herewith and entitled "Vehicle, Toy, and/or Replicas Thereof"; and

Application Ser. No. 29/624,721, filed herewith and entitled "Front Bumper for a Vehicle".

FIG. 1 is a front view of a front bumper for a vehicle according to the design;

FIG. 2 is a right, front perspective view thereof;

FIG. 3 is a left, bottom perspective view thereof;

FIG. 4 is a right side view thereof;

FIG. 5 is a left side view thereof;

FIG. 6 is a top view thereof;

FIG. 7 is a bottom view thereof; and,

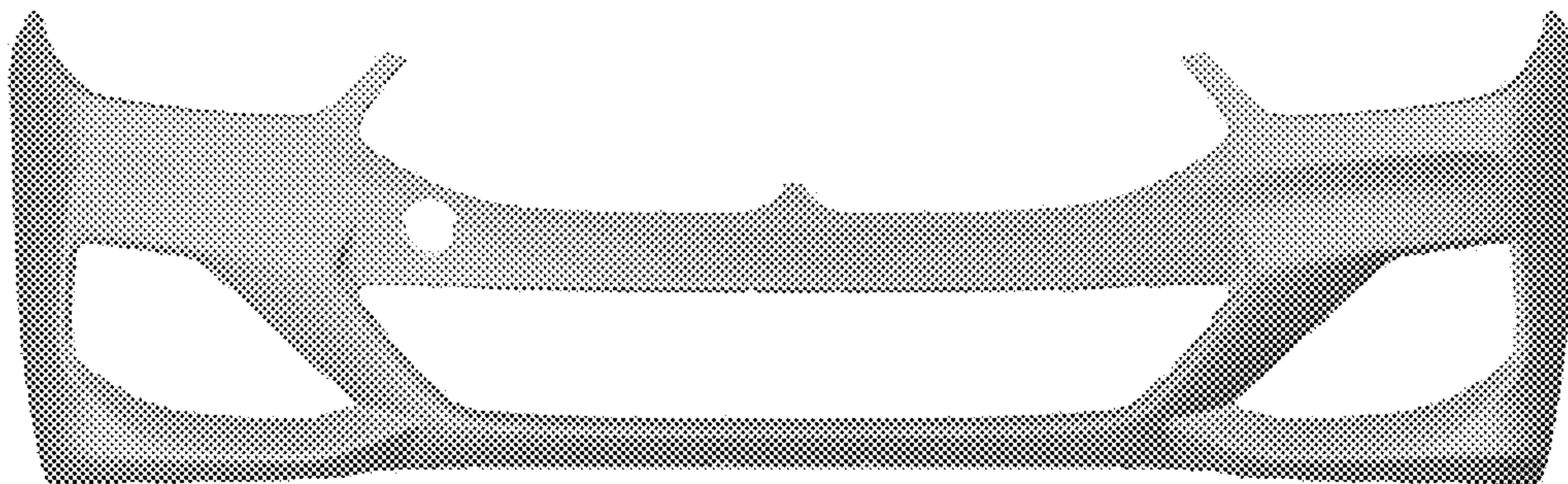
FIG. 8 is a rear view thereof.

(56) **References Cited**

**U.S. PATENT DOCUMENTS**

D528,051 S \* 9/2006 Fukui ..... D12/169  
D537,389 S \* 2/2007 Beigel ..... D12/169  
D540,722 S \* 4/2007 Angelo ..... D12/169  
D584,199 S \* 1/2009 Leclercq ..... D12/169  
D598,827 S \* 8/2009 Kanai ..... D12/169  
D626,042 S \* 10/2010 Yamazaki ..... D12/169  
D680,479 S \* 4/2013 Frei ..... D12/169  
D687,752 S \* 8/2013 Fetherston ..... D12/169  
D688,989 S \* 9/2013 Minamisawa ..... D12/169  
D702,161 S \* 4/2014 Hanaoka ..... D12/169  
D712,322 S \* 9/2014 Kobayashi ..... D12/169

**1 Claim, 8 Drawing Sheets**



(56)

References Cited

U.S. PATENT DOCUMENTS

D723,435 S \* 3/2015 Thole ..... D12/169  
 D726,602 S \* 4/2015 Rupar ..... D12/169  
 D729,707 S \* 5/2015 Thole ..... D12/169  
 D737,738 S 9/2015 Nordmann  
 D750,539 S \* 3/2016 Iwauchi ..... D12/169  
 D762,532 S \* 8/2016 Tsutamori ..... D12/169  
 D764,975 S \* 8/2016 Aengenheyster ..... D12/91  
 D772,119 S 11/2016 De Bono  
 D774,428 S \* 12/2016 Davidson ..... D12/169  
 D786,149 S \* 5/2017 Pevovar ..... D12/169  
 D788,657 S \* 6/2017 Oohashi ..... D12/169  
 D792,815 S \* 7/2017 Kozub ..... D12/169  
 D792,816 S \* 7/2017 Kozub ..... D12/169  
 D793,296 S \* 8/2017 Smith ..... D12/169  
 D793,921 S \* 8/2017 Takamatsu ..... D12/169  
 D793,924 S \* 8/2017 Sagawa ..... D12/169  
 D797,019 S \* 9/2017 Yamashita ..... D12/169

D797,617 S \* 9/2017 Mori ..... D12/169  
 D797,618 S \* 9/2017 Suzuki ..... D12/169  
 D800,035 S \* 10/2017 Takamatsu ..... D12/169  
 D800,614 S \* 10/2017 Park ..... D12/169  
 D803,112 S \* 11/2017 Tomita ..... D12/169  
 D805,449 S \* 12/2017 Chung ..... D12/169  
 D807,248 S \* 1/2018 Piscitelli ..... D12/169  
 D807,250 S \* 1/2018 Piscitelli ..... D12/169  
 D807,252 S \* 1/2018 Piscitelli ..... D12/169  
 D807,254 S \* 1/2018 Piscitelli ..... D12/169  
 D807,257 S \* 1/2018 Piscitelli ..... D12/169  
 D807,258 S \* 1/2018 Patel ..... D12/169  
 2004/0032133 A1 \* 2/2004 Bird ..... B60R 19/04  
 293/154  
 2006/0249961 A1 \* 11/2006 Flotzinger ..... B60R 19/04  
 293/115  
 2006/0290169 A1 \* 12/2006 Fukushima ..... B60Q 1/302  
 296/180.1

\* cited by examiner



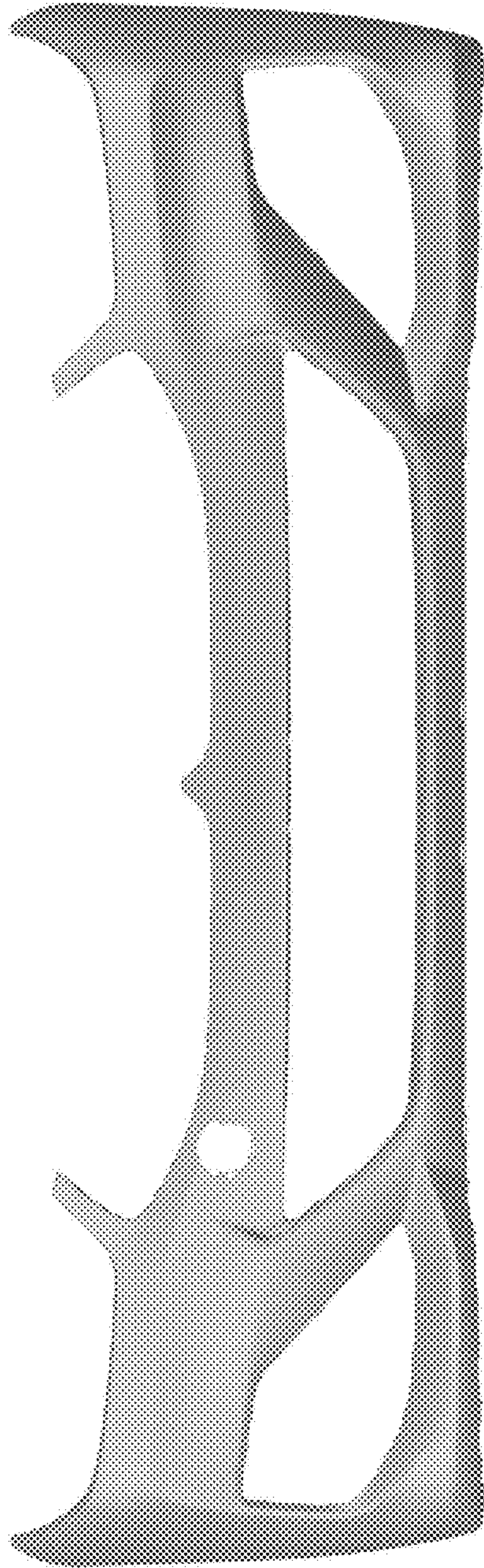


Fig. 1

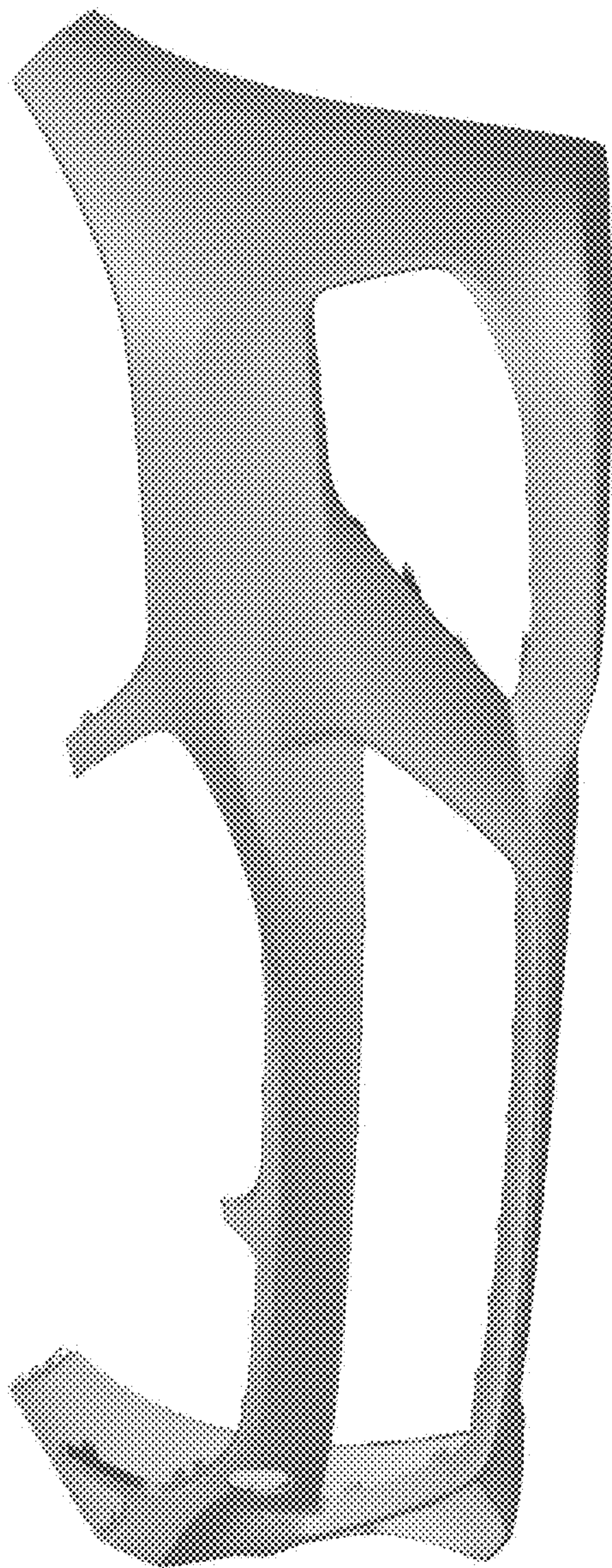


Fig. 2



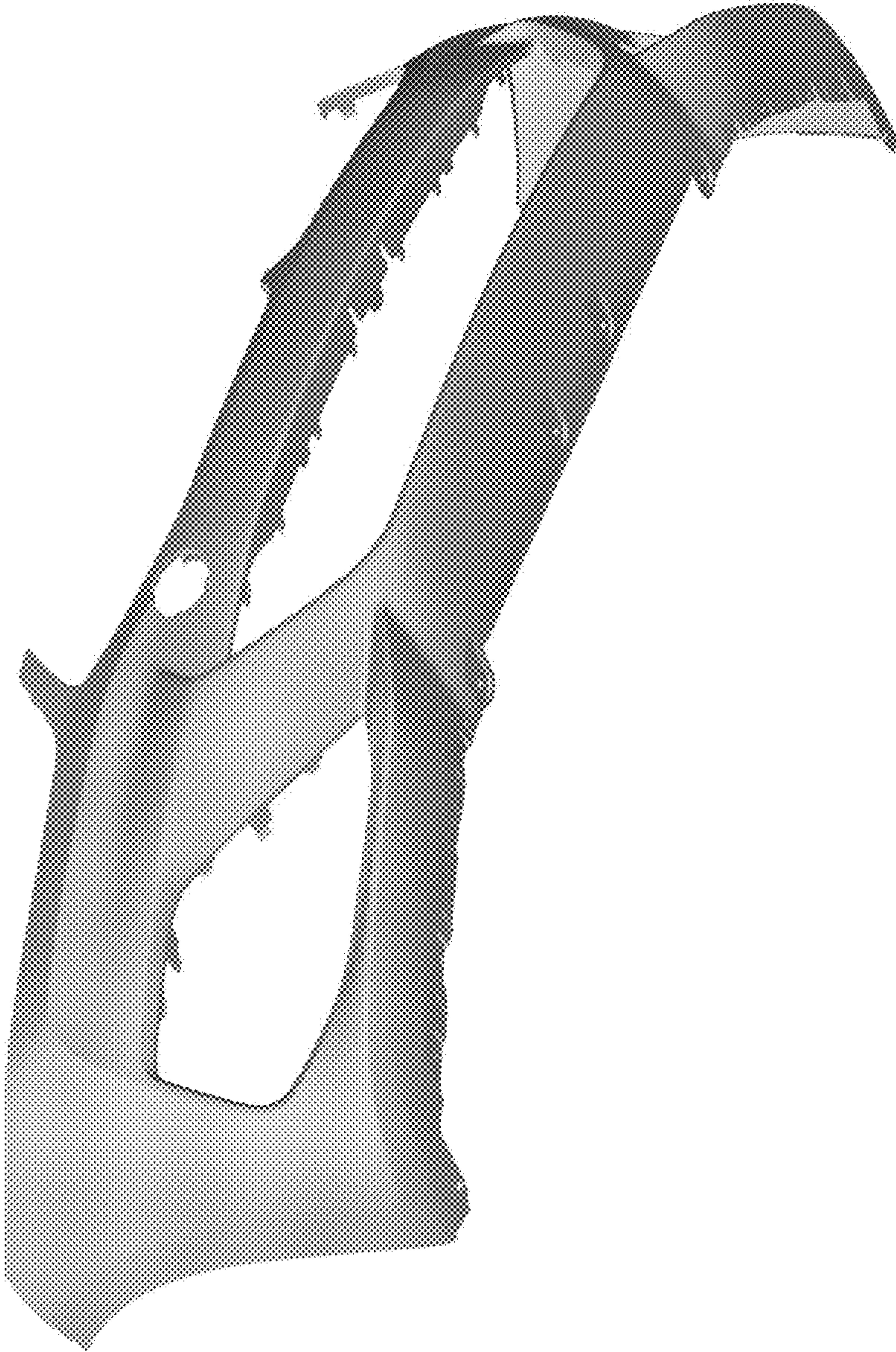


Fig. 3

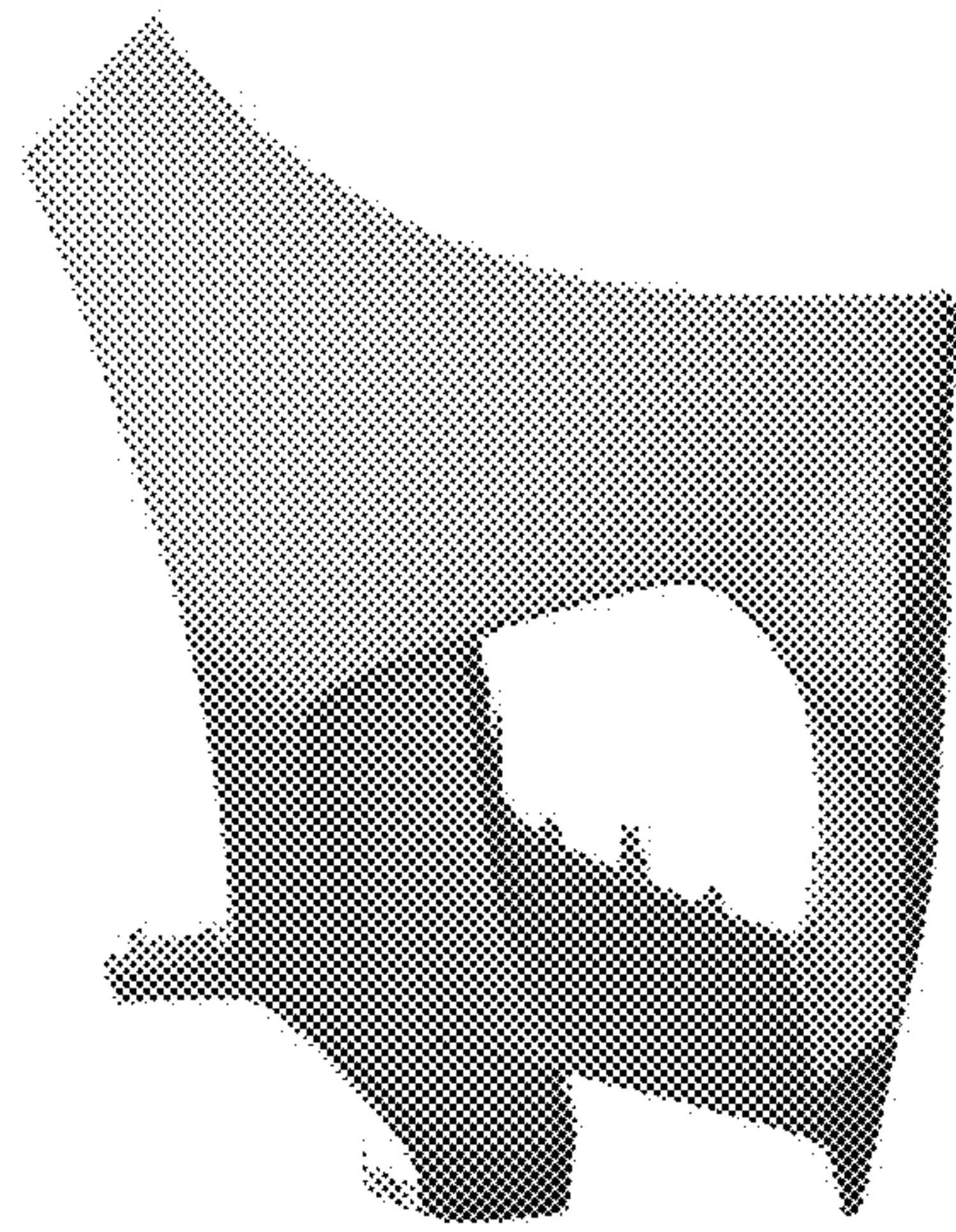


Fig. 4

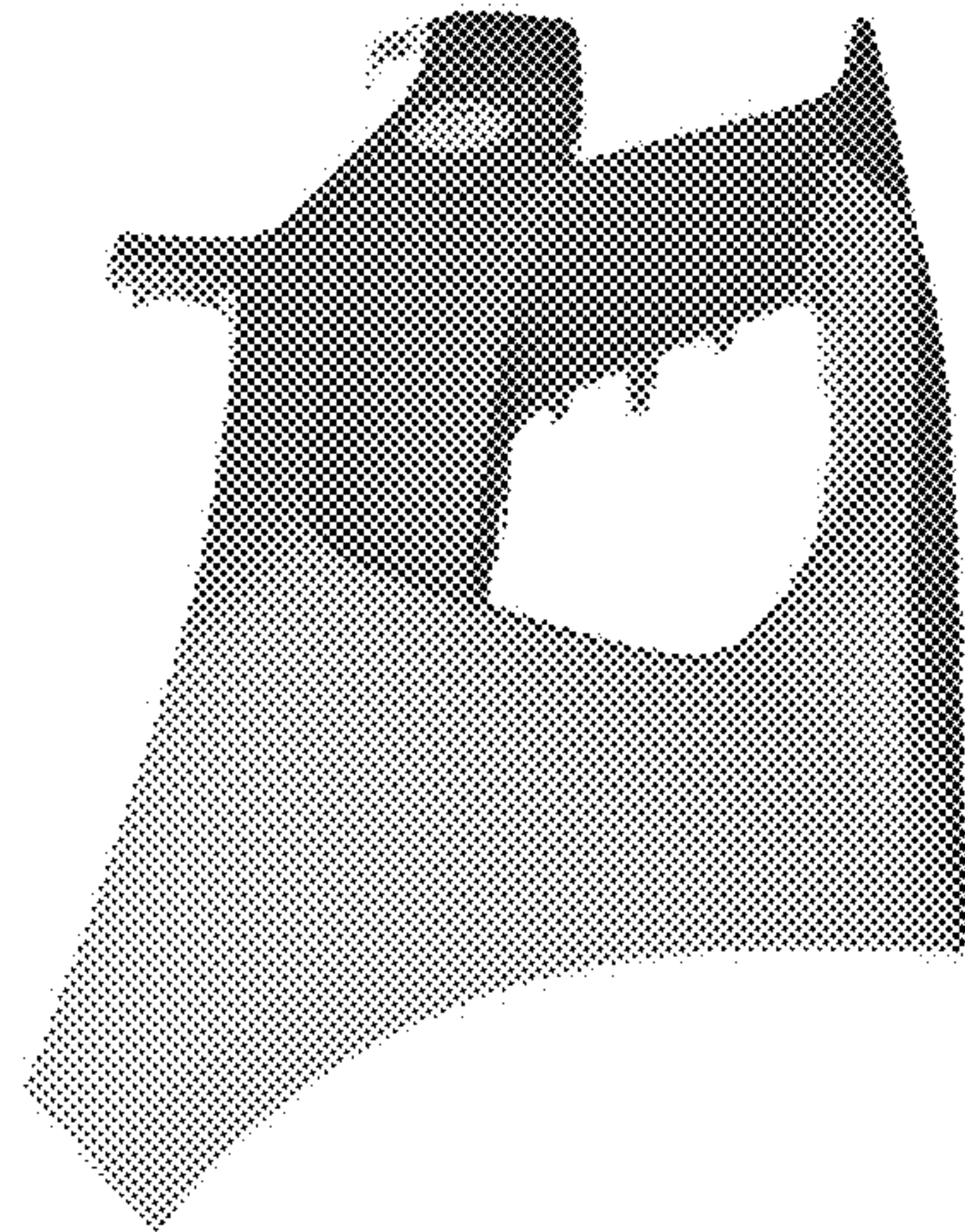


Fig. 5

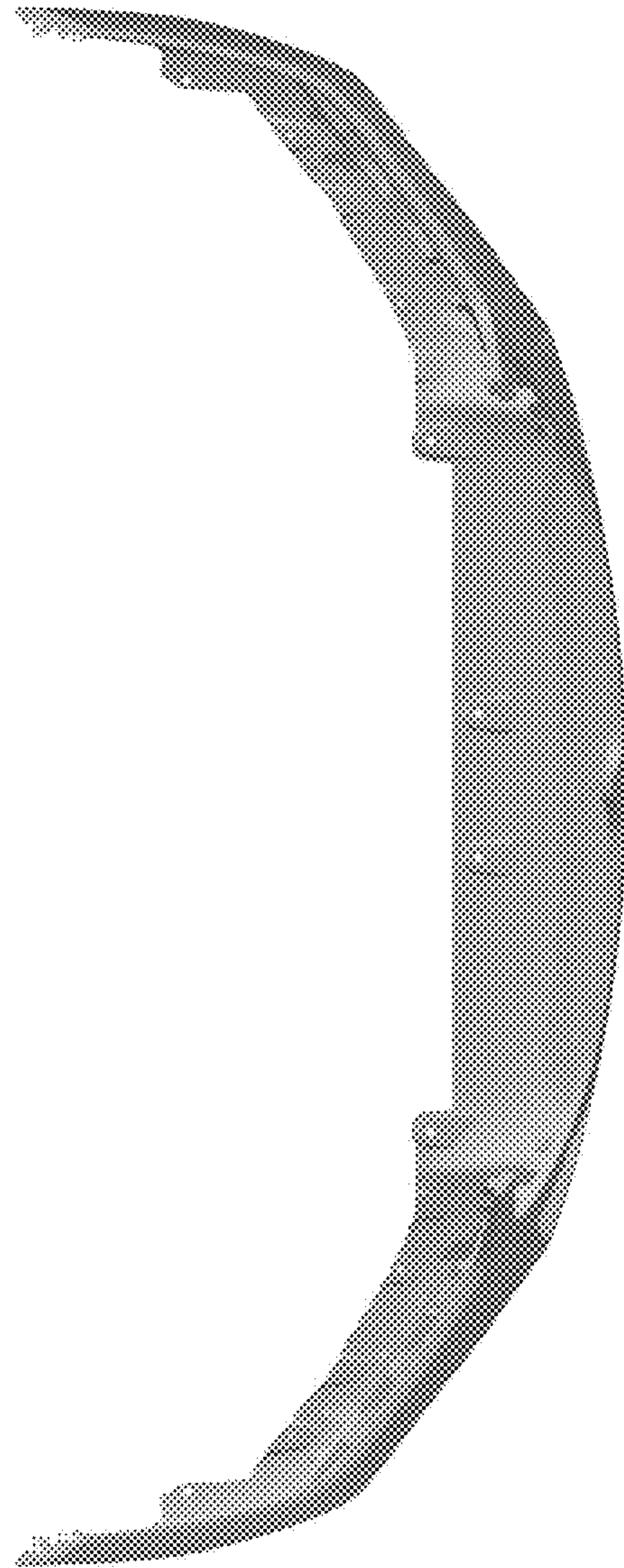


Fig. 6



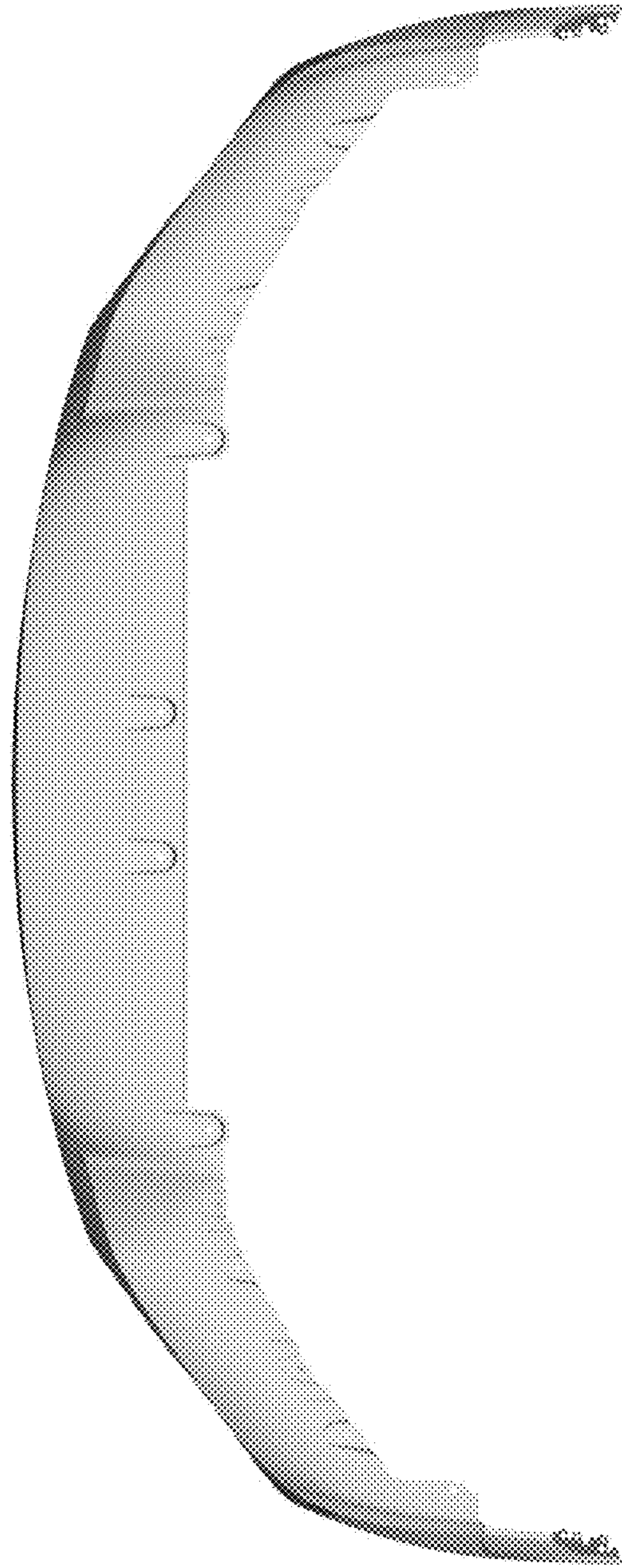


Fig. 7

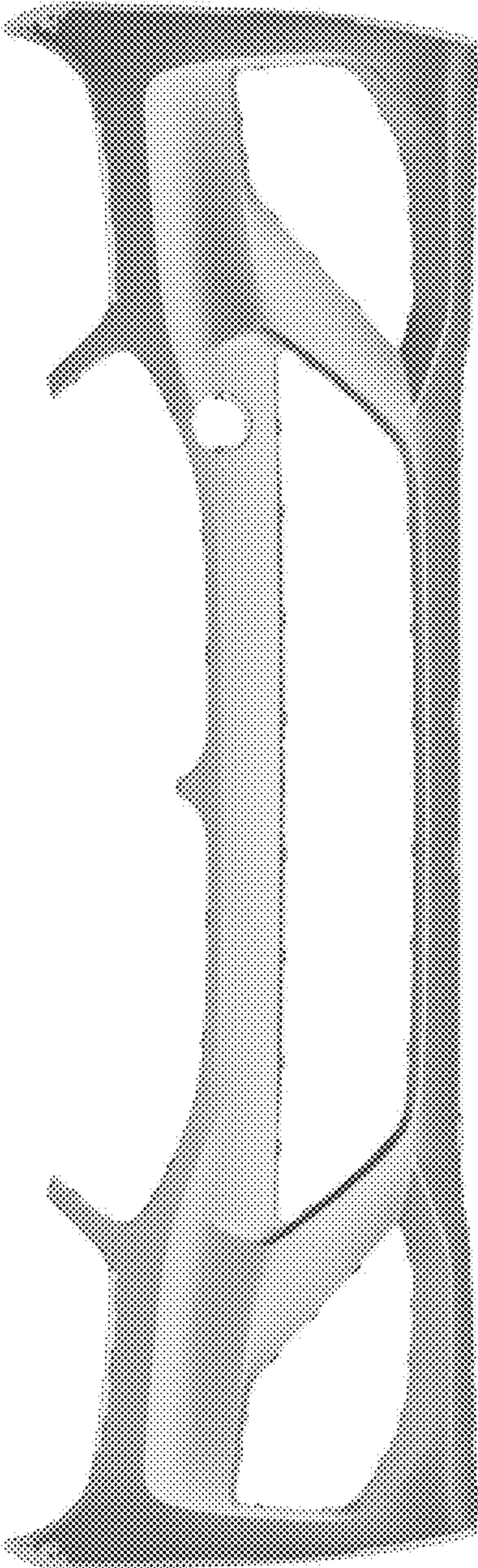


Fig. 8