



US00D848325S

(12) **United States Design Patent** (10) **Patent No.:** **US D848,325 S**
Thurber et al. (45) **Date of Patent:** **** May 14, 2019**

(54) **VEHICLE UPPER TRIM FASCIA**
(71) Applicant: **GM GLOBAL TECHNOLOGY OPERATIONS LLC**, Detroit, MI (US)
(72) Inventors: **Joshua L. Thurber**, Macomb, MI (US); **Henri Kavaja**, Warren, MI (US)
(73) Assignee: **GM GLOBAL TECHNOLOGY OPERATIONS LLC**, Detroit, MI (US)
(**) Term: **15 Years**

D605,083 S 12/2009 Manoogian, II et al.
D605,977 S 12/2009 Zipfel et al.
D605,978 S 12/2009 Wolff et al.
D608,249 S 1/2010 Peters
D608,690 S 1/2010 Folden et al.
D608,691 S 1/2010 Zak, Jr. et al.
D609,608 S 2/2010 Boniface et al.
D611,387 S 3/2010 Thompson et al.
D611,879 S 3/2010 Kim et al.
D612,297 S 3/2010 Peters et al.
D613,645 S 4/2010 Song et al.
D615,458 S 5/2010 Thompson et al.
D618,595 S 6/2010 Ware et al.
D623,090 S 9/2010 Cox et al.

(Continued)

(21) Appl. No.: **29/621,198**
(22) Filed: **Oct. 5, 2017**
(51) **LOC (11) Cl.** **12-16**
(52) **U.S. Cl.**
USPC **D12/169**
(58) **Field of Classification Search**
USPC D12/86, 90-92, 163, 169, 171, 196, 216
CPC B60R 19/02; B60R 19/023; B60R 19/04;
B60R 19/18; B60R 19/24; B60R 19/44;
B60R 19/48; B60R 19/52; B60R 19/56;
B60R 2019/527; B60R 2019/1886; B62D
25/08

See application file for complete search history.

(56) **References Cited**
U.S. PATENT DOCUMENTS

D319,995 S * 9/1991 Stapleton D12/181
D422,544 S * 4/2000 Carlson D12/181
D567,156 S * 4/2008 Hutchins D12/169
D567,157 S * 4/2008 Hutchins D12/169
D570,742 S 6/2008 Takagi et al.
D592,105 S 5/2009 Dean et al.
D597,447 S 8/2009 Folden
D600,595 S 9/2009 Nakamura et al.
D601,925 S 10/2009 O'Donnell
D603,755 S 11/2009 Peters
D604,203 S 11/2009 O'Donnell
D605,082 S 12/2009 Munson

OTHER PUBLICATIONS

<https://www.youtube.com/watch?v=p1s6Fy9RK-w> Mar. 17, 2017
(Year: 2017).*

Primary Examiner — Leanne Was-Englehart

(57) **CLAIM**

The ornamental design for a vehicle upper trim fascia, as shown and described.

DESCRIPTION

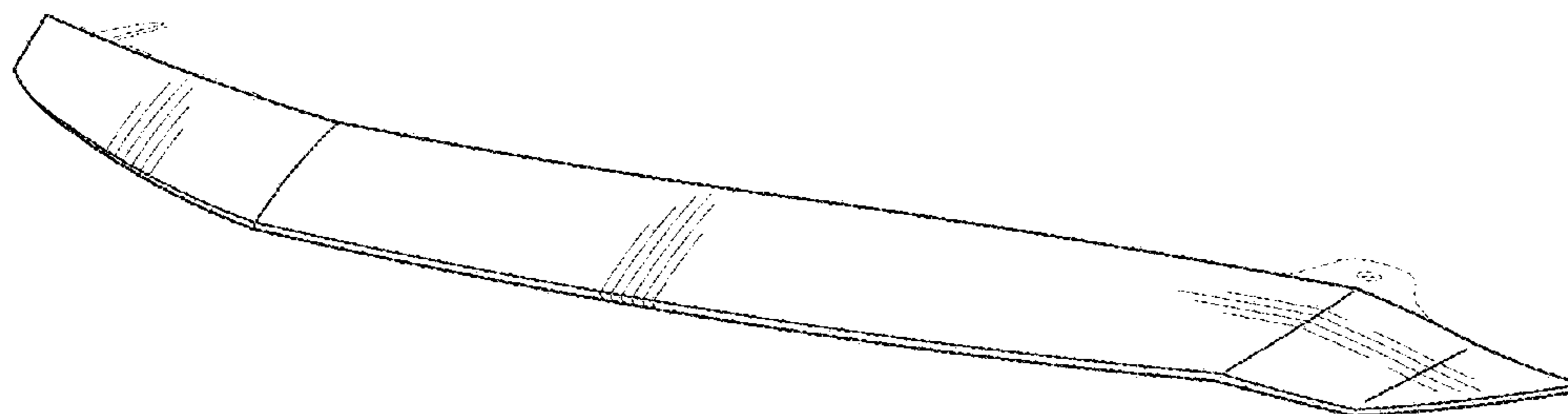
FIG. 1 is a front and left perspective view of the vehicle upper trim fascia according to the present disclosure; FIG. 2 is a left end elevation view thereof; FIG. 3 is a front elevation view thereof; and, FIG. 4 is a bottom plan view thereof.

The right end elevation view is omitted, because the right end elevation view is a mirror image to the left end elevation view.

The broken lines shown in the drawings depict portions of the vehicle upper trim fascia that form no part of the claimed design.

The shade lines in the figures show contour and not surface ornamentation.

1 Claim, 2 Drawing Sheets



(56)

References Cited

U.S. PATENT DOCUMENTS

D624,471 S	*	9/2010	Green	D12/169	D747,819 S	1/2016	Thole et al.			
D627,262 S		11/2010	Ikeda et al.			D749,021 S	2/2016	Boniface et al.			
D635,488 S		4/2011	Phipps			D749,026 S	2/2016	Smith et al.			
D644,147 S		8/2011	Suh et al.			D749,027 S	2/2016	McMahan et al.			
D644,567 S		9/2011	Kozub			D749,246 S	2/2016	Thole et al.			
D657,718 S		4/2012	Zipfel et al.			D749,249 S	2/2016	Thole et al.			
D659,052 S		5/2012	Ware et al.			D749,250 S	2/2016	Thole et al.			
D659,053 S		5/2012	Ware et al.			D749,985 S	2/2016	Kozub et al.			
D668,182 S		10/2012	Barba Franco et al.			D749,997 S	2/2016	McMahan et al.			
D668,183 S		10/2012	Smart			D750,001 S	2/2016	Thole et al.			
D678,820 S		3/2013	Son et al.			D753,032 S	4/2016	Smith et al.			
D678,821 S		3/2013	Ikeda et al.			D753,033 S	4/2016	Thole et al.			
D680,909 S		4/2013	Munson et al.			D753,034 S	4/2016	Thole et al.			
D680,910 S		4/2013	David			D753,035 S	4/2016	Boniface et al.			
D684,899 S		6/2013	Baker			D753,559 S	4/2016	McMahan et al.			
D686,536 S		7/2013	McCabe et al.			D753,560 S	4/2016	McMahan et al.			
D692,798 S		11/2013	Thurber			D753,567 S	4/2016	Boniface et al.			
D692,799 S		11/2013	Smith et al.			D754,571 S	4/2016	Boniface et al.			
D696,157 S		12/2013	Loeb			D754,572 S	4/2016	McMahan et al.			
D699,168 S	*	2/2014	Osborne	D12/169	D754,578 S	*	4/2016	Buck	D12/181
D699,629 S		2/2014	Ikeda et al.			D755,088 S	5/2016	McMahan et al.			
D700,871 S		3/2014	O'Donnell et al.			D756,869 S	5/2016	McMahan et al.			
D703,103 S		4/2014	Lee			D758,271 S	6/2016	McMahan et al.			
D704,103 S		5/2014	Mack et al.			D764,975 S	8/2016	Aengenheyster			
D705,132 S		5/2014	Ware et al.			D764,976 S	8/2016	Aengenheyster			
D705,699 S		5/2014	Ware et al.			D767,449 S	9/2016	Pevovar et al.			
D713,298 S		9/2014	Dyson			D767,450 S	9/2016	Lee et al.			
D713,764 S		9/2014	Ferlazzo et al.			D767,451 S	9/2016	Kozub et al.			
D716,696 S		11/2014	Thole et al.			D767,454 S	9/2016	McMahan et al.			
D716,706 S		11/2014	Thole et al.			D767,458 S	9/2016	Kim			
D716,709 S		11/2014	Thole et al.			D767,459 S	9/2016	Kim			
D717,696 S		11/2014	Thole et al.			D767,460 S	9/2016	Kozub et al.			
D718,189 S		11/2014	Krieg et al.			D767,461 S	9/2016	Kozub et al.			
D718,683 S		12/2014	Thole et al.			D771,528 S	11/2016	Smith et al.			
D722,282 S		2/2015	Loeb			D771,529 S	11/2016	Thole et al.			
D722,533 S		2/2015	Thole et al.			D771,532 S	11/2016	Kapitonov			
D722,534 S		2/2015	Munson et al.			D771,533 S	11/2016	Kapitonov			
D724,510 S		3/2015	McMahan et al.			D772,766 S	11/2016	Kozub et al.			
D725,001 S		3/2015	McMahan et al.			D772,767 S	11/2016	Kim			
D726,591 S		4/2015	Jacob			D773,084 S	11/2016	Kapitonov			
D730,776 S		6/2015	Smart			D773,086 S	11/2016	McCabe et al.			
D730,783 S		6/2015	Henriques et al.			D774,226 S	12/2016	McCabe et al.			
D732,427 S		6/2015	Loeb			D775,003 S	12/2016	Pevovar et al.			
D732,429 S		6/2015	Loeb			D775,007 S	12/2016	Thole et al.			
D732,430 S		6/2015	Loeb			D775,010 S	12/2016	Kim et al.			
D732,431 S		6/2015	Loeb			D775,049 S	12/2016	Scheer et al.			
D732,432 S		6/2015	Aengenheyster			D775,549 S	1/2017	Karras			
D732,433 S		6/2015	Aengenheyster			D775,554 S	1/2017	Kapitonov			
D732,435 S		6/2015	Mackay			D776,020 S	1/2017	Kapitonov			
D733,002 S		6/2015	Loeb			D776,581 S	1/2017	Pevovar et al.			
D735,611 S		8/2015	Aengenheyster			D776,583 S	1/2017	Scheer et al.			
D735,627 S		8/2015	Smith			D776,841 S	1/2017	Kozub et al.			
D736,451 S		8/2015	Smith			D776,843 S	1/2017	McCabe et al.			
D739,306 S		9/2015	McMahan et al.			D776,846 S	1/2017	Willett et al.			
D739,317 S		9/2015	McMahan et al.			D777,359 S	1/2017	Kozub et al.			
D739,321 S	*	9/2015	Blanski	D12/169	D777,360 S	1/2017	Kozub et al.			
D741,223 S		10/2015	Kim et al.			D777,361 S	1/2017	Kozub et al.			
D743,309 S		11/2015	Thole et al.			D777,604 S	1/2017	McNerney			
D743,313 S		11/2015	Smith et al.			D777,605 S	1/2017	Ferlazzo et al.			
D743,314 S		11/2015	Thole et al.			D777,620 S	1/2017	Pevovar et al.			
D743,857 S		11/2015	McMahan et al.			D777,621 S	1/2017	Kim			
D744,158 S		11/2015	Willett et al.			D777,622 S	1/2017	Kozub et al.			
D745,086 S		12/2015	Finos et al.			D777,628 S	1/2017	Kozub et al.			
D745,719 S		12/2015	Boniface et al.			D777,955 S	1/2017	Willett et al.			
D745,725 S		12/2015	McMahan et al.			D778,212 S	2/2017	Kozub et al.			
D745,726 S		12/2015	McMahan et al.			D778,215 S	2/2017	Kozub et al.			
D745,837 S		12/2015	Smith et al.			D780,064 S	2/2017	Smith et al.			
D746,191 S	*	12/2015	Chen	D12/181	D780,067 S	2/2017	Zipfel et al.			
D746,726 S		1/2016	Smith et al.			D780,068 S	2/2017	Whitla et al.			
D746,727 S		1/2016	Smith et al.			D780,077 S	2/2017	Kim et al.			
D746,728 S		1/2016	Smith et al.			D780,081 S	2/2017	Lee			
D746,729 S		1/2016	Boniface et al.			D780,084 S	2/2017	Scheer et al.			
D746,730 S		1/2016	Kim et al.			D780,631 S	3/2017	Kozub et al.			
D747,514 S		1/2016	McMahan et al.			D780,644 S	3/2017	Kim et al.			
D747,515 S		1/2016	McMahan et al.			D781,184 S	3/2017	Thole et al.			
						D781,192 S	3/2017	Kozub et al.			
						D782,379 S	3/2017	Wassell			
						D783,482 S	4/2017	Smith et al.			
						D784,213 S	4/2017	Karras			

(56)

References Cited

U.S. PATENT DOCUMENTS

D784,223 S	4/2017	Lee	
D784,226 S	4/2017	Cheng	
D784,579 S	4/2017	Cheng et al.	
D784,877 S *	4/2017	Lee	D12/181
D784,886 S	4/2017	Smith et al.	
D785,521 S	5/2017	Smith et al.	
D786,149 S	5/2017	Pevovar et al.	
D786,743 S	5/2017	Smith et al.	
D786,750 S	5/2017	Lee	
D787,446 S	5/2017	Cockerill	
D787,984 S	5/2017	Fang	
D787,988 S	5/2017	Lee	
D787,989 S	5/2017	Kozub et al.	
D787,990 S	5/2017	Kozub et al.	
D787,992 S	5/2017	Lee	
D787,993 S	5/2017	McCabe et al.	
D788,001 S	5/2017	Lee	
D788,641 S	6/2017	Arnold	
D788,644 S	6/2017	Mueller	
D788,645 S	6/2017	Mueller	
D789,250 S	6/2017	Arnold	
D789,260 S	6/2017	Smith et al.	
D789,575 S	6/2017	Willett	
D789,841 S	6/2017	Lee	
D789,849 S	6/2017	Lee	
D818,403 S *	5/2018	Cummins	D12/169
D821,941 S *	7/2018	Mack	D12/169

* cited by examiner

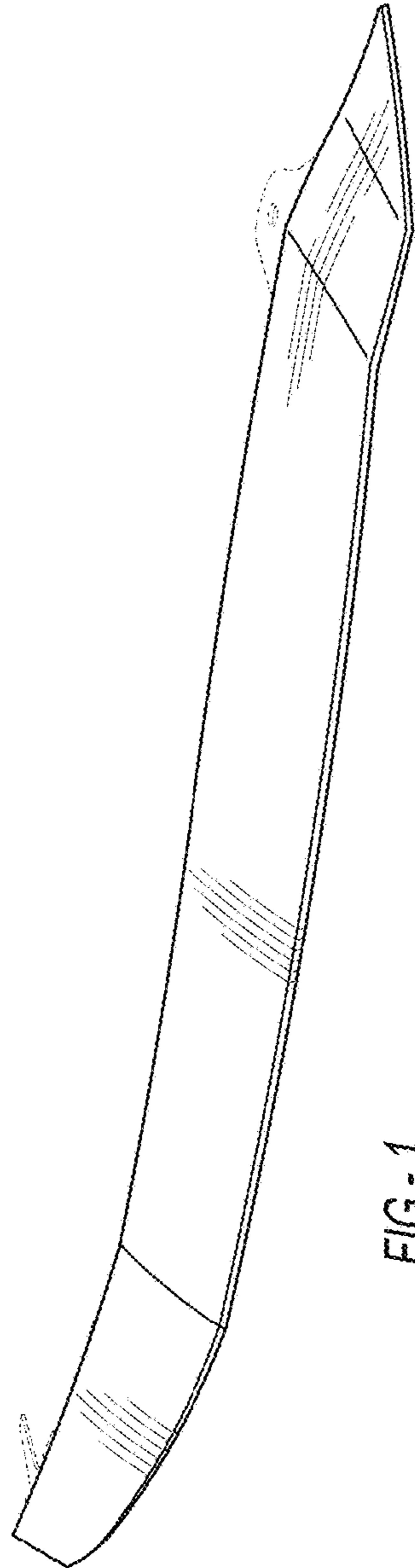


FIG-1



FIG-2

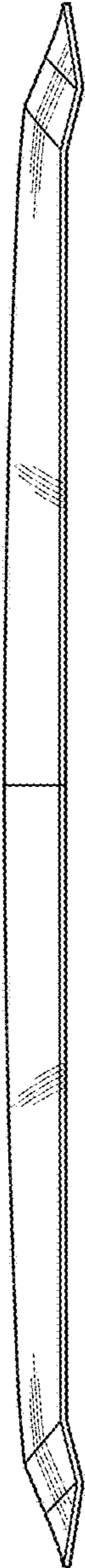


FIG - 3

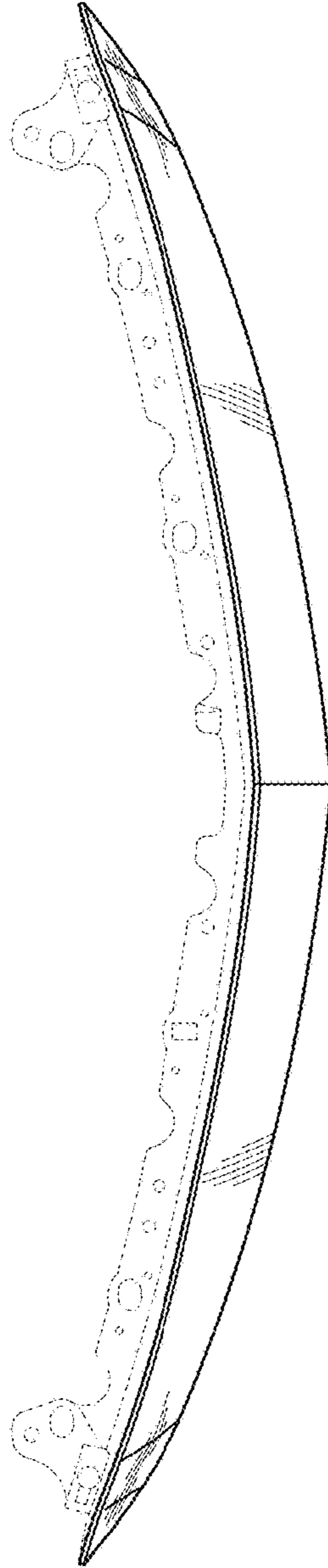


FIG - 4