



US00D848319S

(12) **United States Design Patent**
McLean et al.

(10) **Patent No.:** **US D848,319 S**

(45) **Date of Patent:** **** May 14, 2019**

(54) **VEHICLE GRILLE**

(71) Applicant: **Pilot Inc.**, City of Industry, CA (US)

(72) Inventors: **Judi McLean**, Whitmore Lake, MI (US); **Kelleigh Ash**, City of Industry, CA (US); **Frank Hodges**, Corona, CA (US)

(73) Assignee: **Pilot, Inc.**, City of Industry, CA (US)

(**) Term: **15 Years**

(21) Appl. No.: **29/602,140**

(22) Filed: **Apr. 28, 2017**

(51) **LOC (11) Cl.** **12-16**

(52) **U.S. Cl.**
USPC **D12/163**

(58) **Field of Classification Search**
USPC D12/86, 88, 90-92, 163, 169, 173, 196
CPC B62B 9/16; B60K 11/08; B60R 19/52
See application file for complete search history.

(56) **References Cited**

U.S. PATENT DOCUMENTS

5,636,885	A *	6/1997	Hummel	B60D 1/54 280/479.2
D508,445	S *	8/2005	Hall	D12/163
7,059,031	B1 *	6/2006	Elwell	B60R 13/00 180/68.6
D560,567	S *	1/2008	Tant	D12/163
D631,404	S *	1/2011	Hodges	D12/163
D640,176	S *	6/2011	Hodges	D12/163
D649,918	S *	12/2011	Hodges	D12/163
D662,446	S *	6/2012	Hodges	D12/163
D682,163	S *	5/2013	Hodges	D12/163
D743,861	S *	11/2015	Hodges	D12/181
D775,001	S *	12/2016	Platto	D12/163
D805,967	S *	12/2017	Platto	B60R 13/00 D12/163
D811,282	S *	2/2018	Platto	B60D 1/54 D12/163

D811,283	S *	2/2018	Platto	D12/163
D822,549	S *	7/2018	Platto	D12/163
D823,180	S *	7/2018	Platto	D12/163
D823,181	S *	7/2018	Bucher	D12/163
D823,182	S *	7/2018	Yates	D12/163
D823,183	S *	7/2018	Yates	D12/163

(Continued)

OTHER PUBLICATIONS

U.S. Appl. No. 29/602,143, filed Apr. 28, 2017, Ash et al.

(Continued)

Primary Examiner — Robin V Webster

Assistant Examiner — Rachel A Voorhies

(74) *Attorney, Agent, or Firm* — Sheridan Ross P.C.

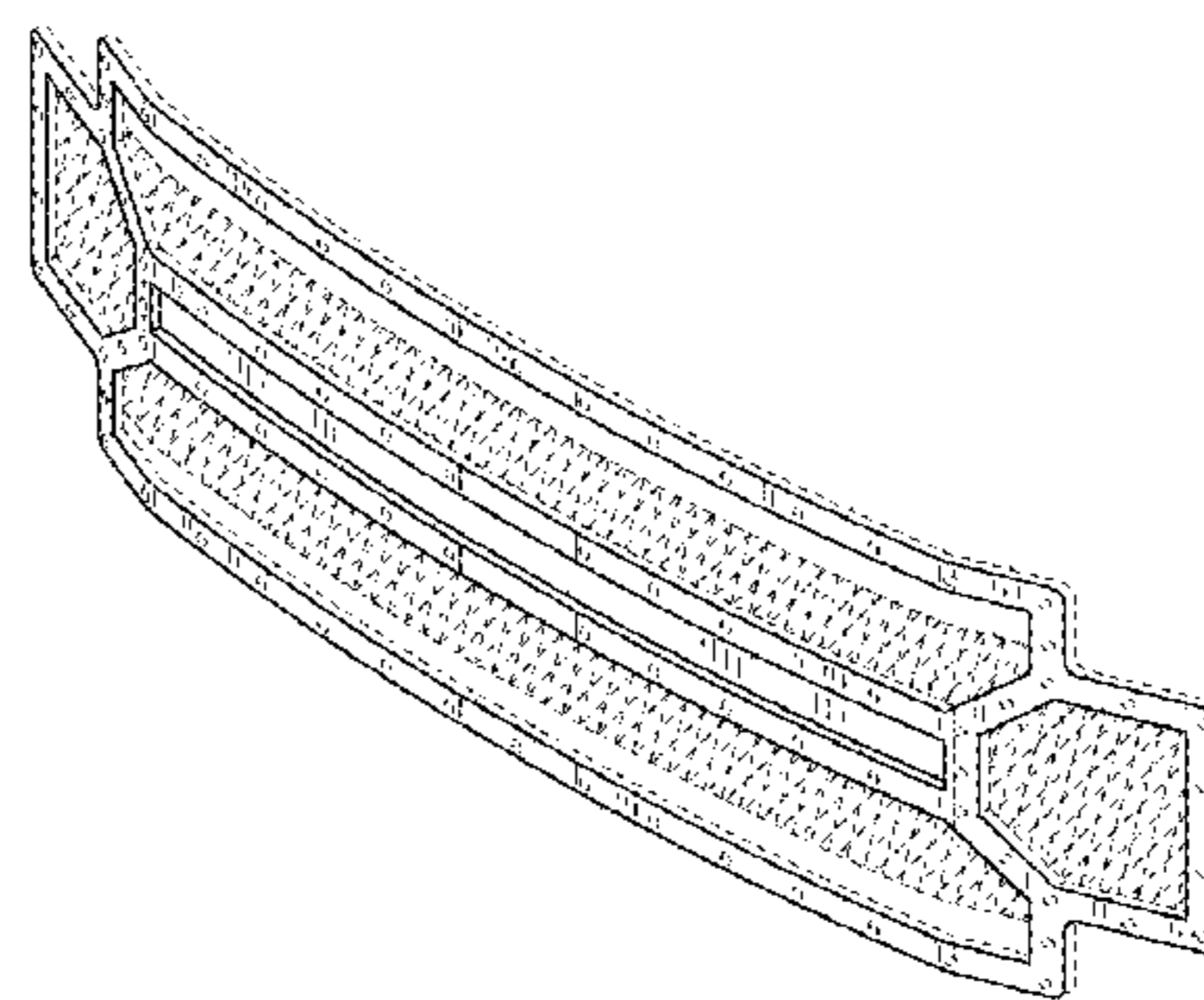
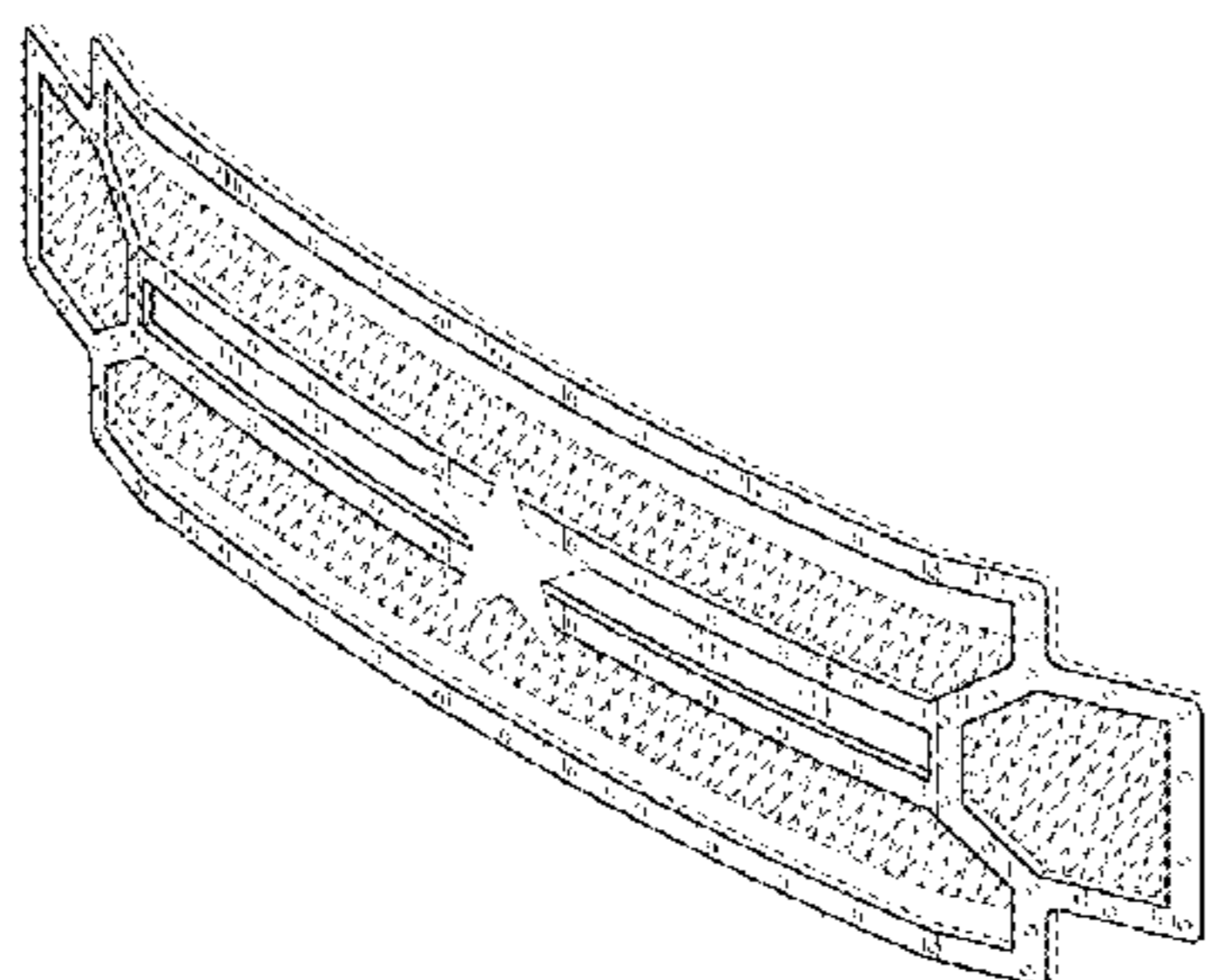
(57) **CLAIM**

The ornamental design for a vehicle grille, as shown and described.

DESCRIPTION

FIG. 1 is a perspective view of a vehicle grille with an optional ornamental attachment showing our new design; FIG. 2 is a top plan view thereof; FIG. 3 is a front elevational view thereof; FIG. 4 is a right side elevational view thereof, the left side elevational view being mirror symmetrical; FIG. 5 is a perspective view of the vehicle grille without the optional ornamental attachment; FIG. 6 is a top plan view of the vehicle grille of FIG. 5; FIG. 7 is a front elevational view of the vehicle grille of FIG. 5; and, FIG. 8 is a right side elevational view of the vehicle grille of FIG. 5, the left side elevational view being mirror symmetrical. The broken lines show portions of the vehicle grille which form no part of the claimed design.

1 Claim, 4 Drawing Sheets



(56)

References Cited

U.S. PATENT DOCUMENTS

D823,184 S * 7/2018 Yates D12/163
D823,185 S * 7/2018 Yates D12/163

OTHER PUBLICATIONS

U.S. Appl. No. 29/602,148, filed Apr. 28, 2017, Hodges et al.
Official Action for U.S. Appl. No. 29/602,143, dated Aug. 7, 2018
7 pages.
Official Action for U.S. Appl. No. 29/602,148, dated Aug. 6, 2018
7 pages.
Notice of Allowance for U.S. Appl. No. 29/602,143, dated Nov. 15,
2018 7 pages.
Notice of Allowance for U.S. Appl. No. 29/602,148, dated Nov. 15,
2018 7 pages.

* cited by examiner

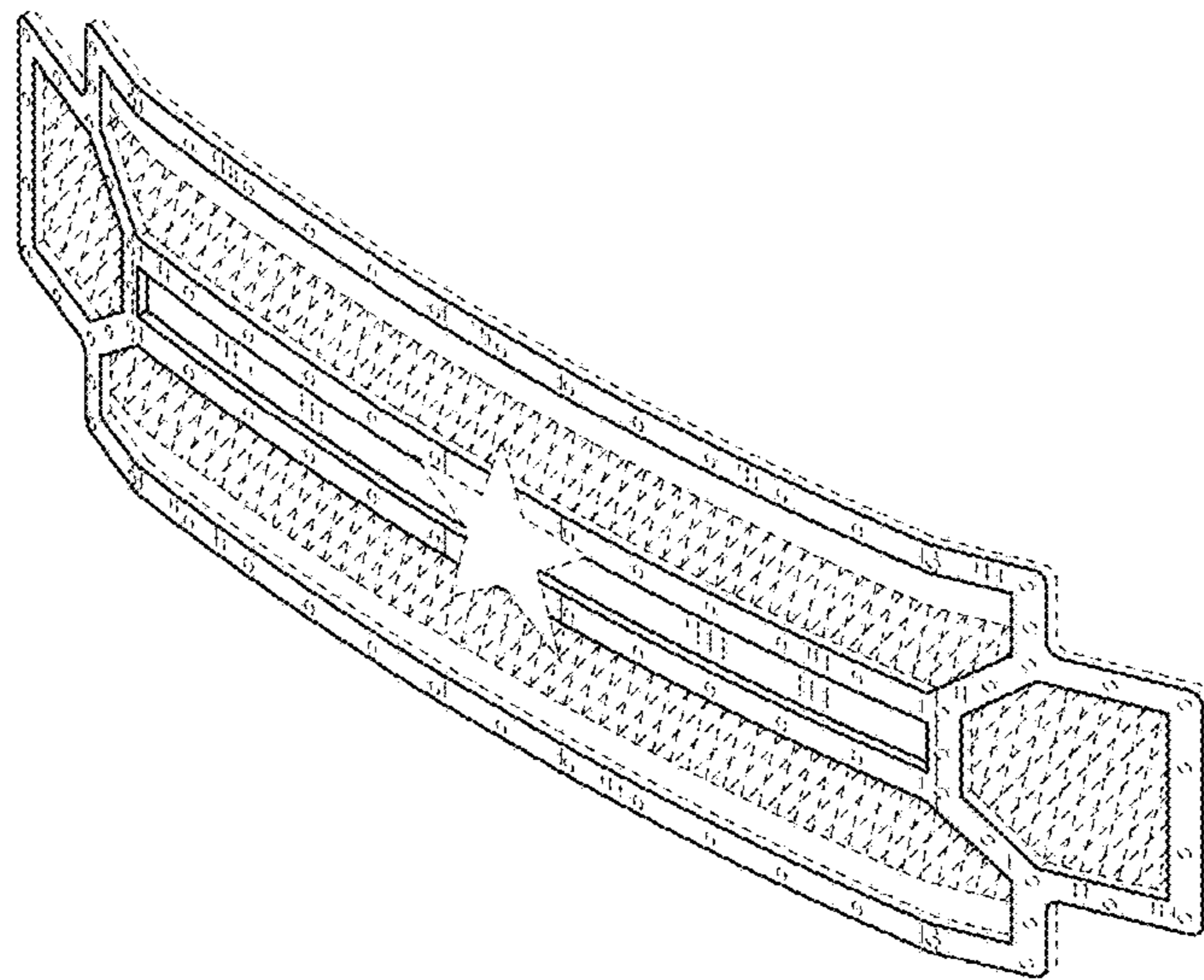


FIG.1



FIG. 2

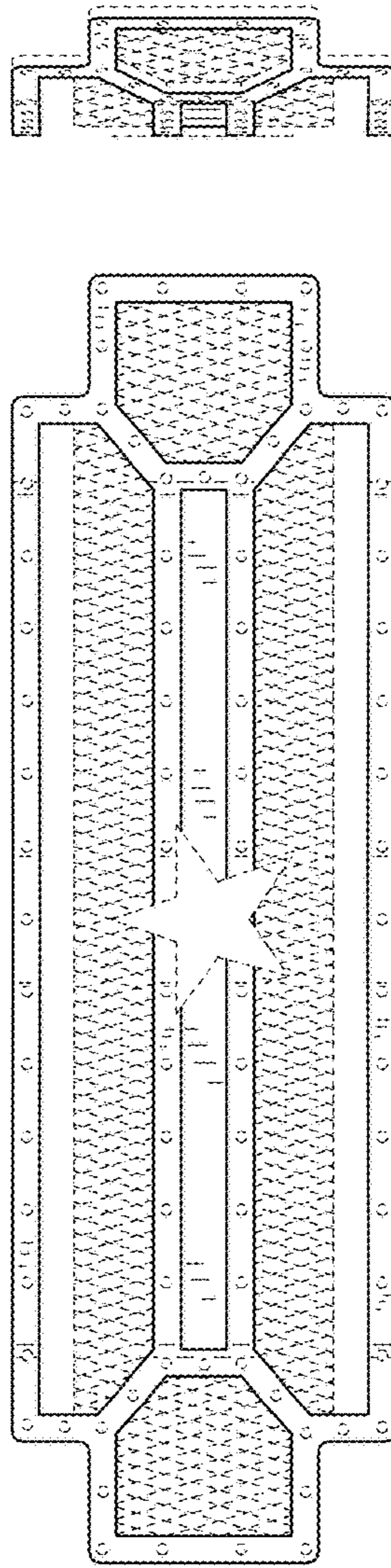


FIG. 3

FIG. 4

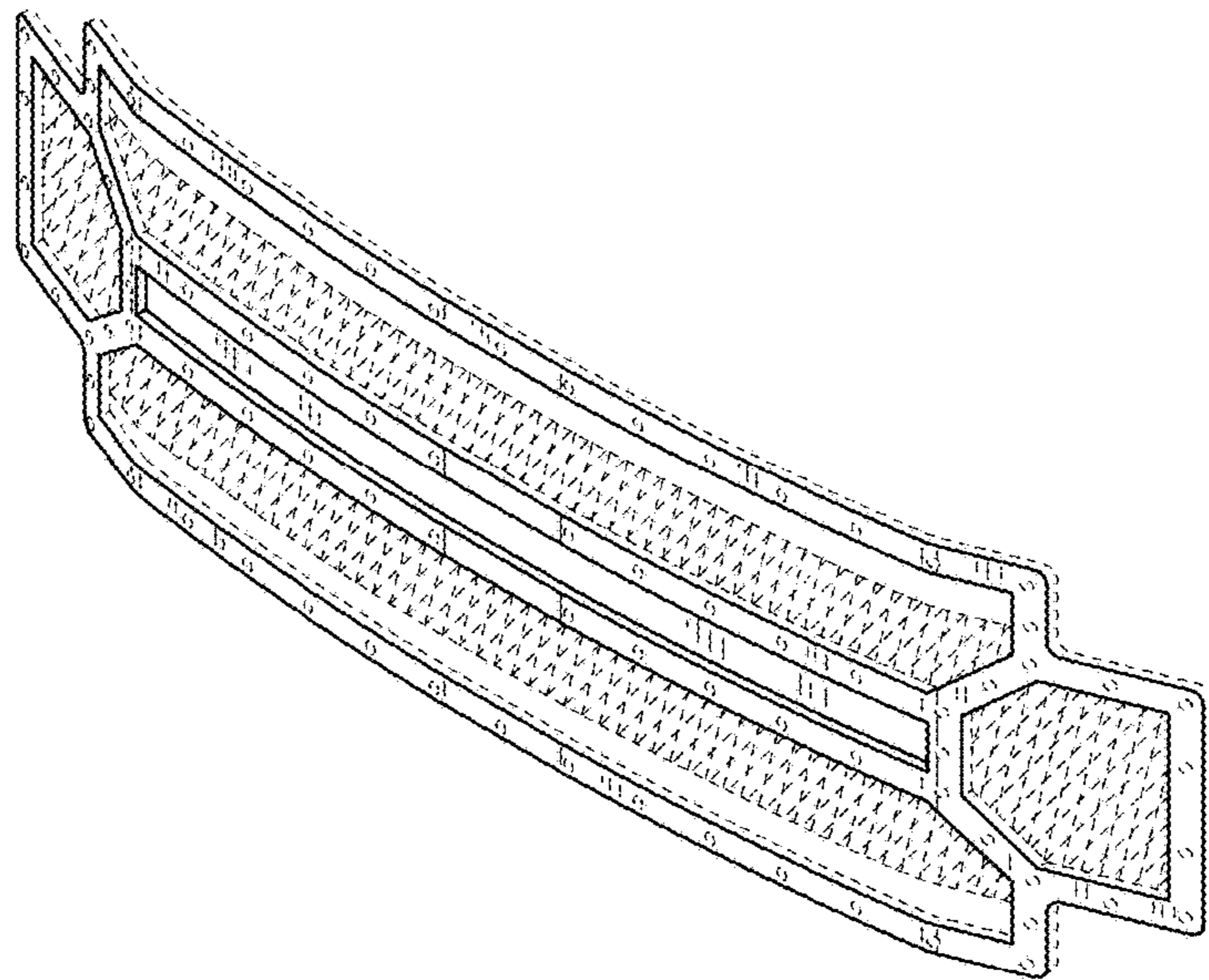


FIG.5



FIG. 6

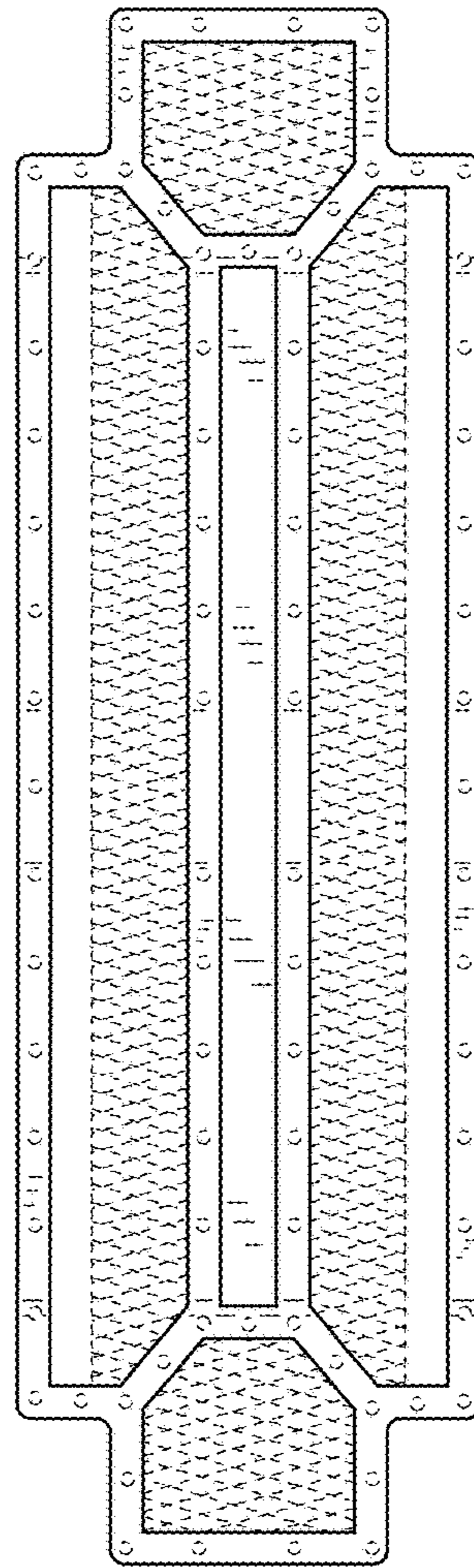


FIG. 7

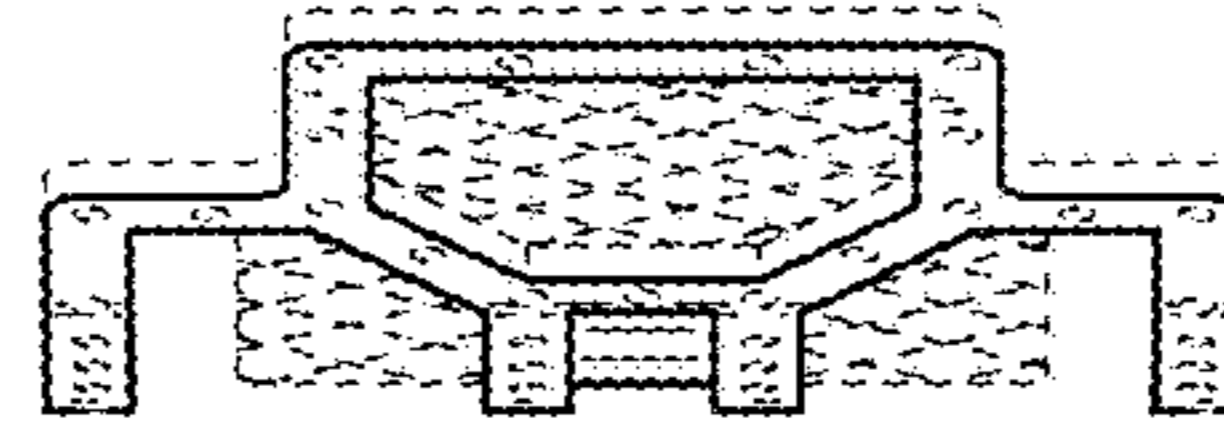


FIG. 8